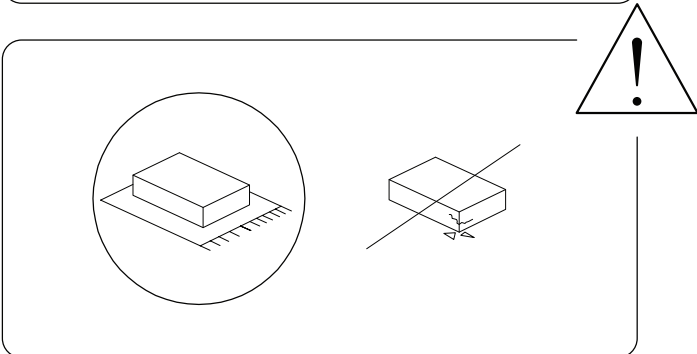
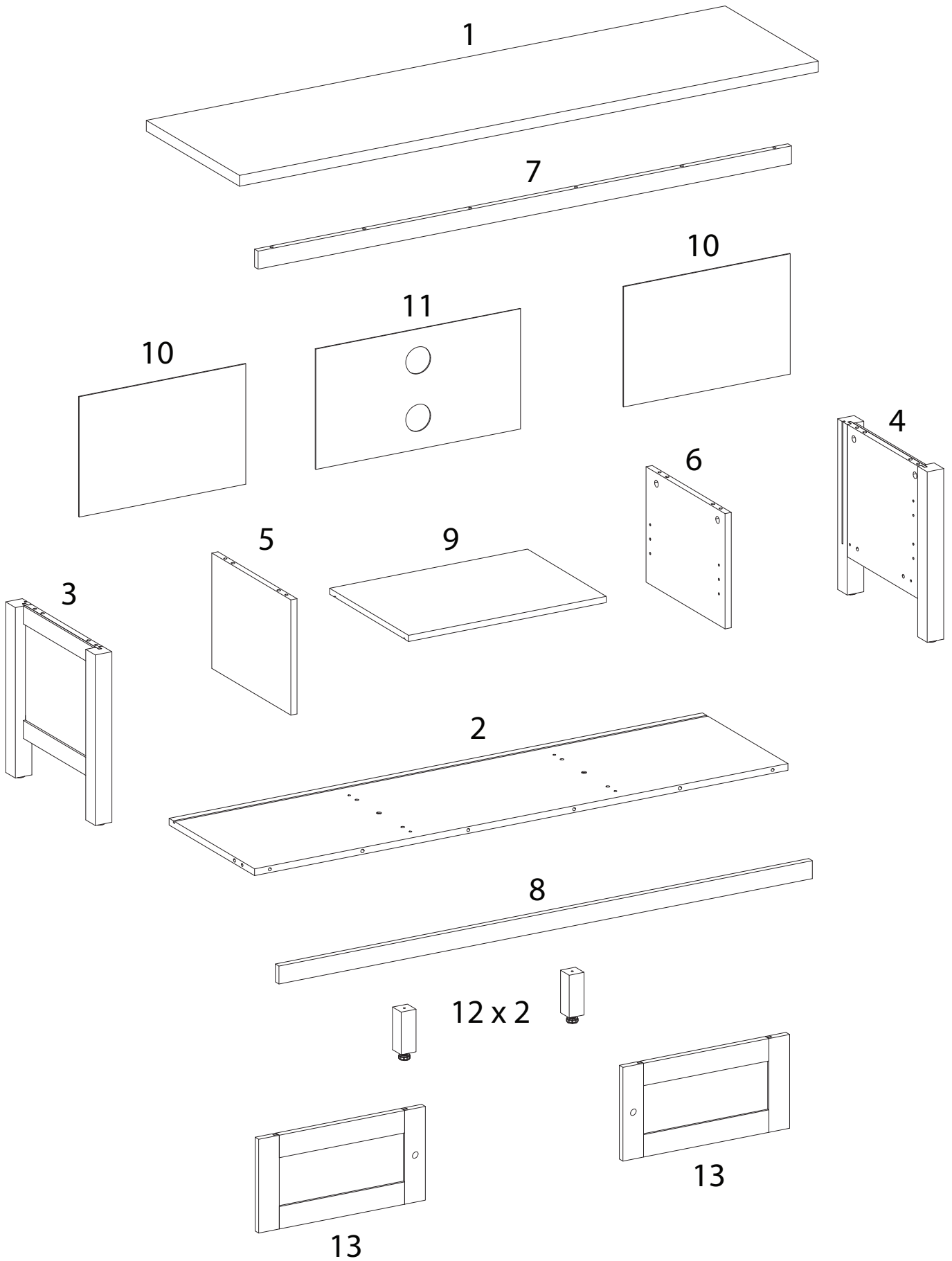


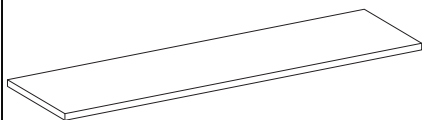
60'



2

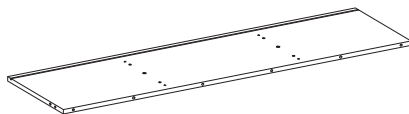


1



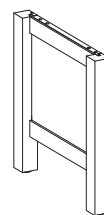
x 1

2



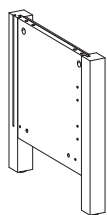
x 1

3



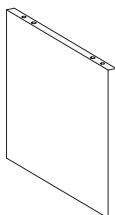
x 1

4



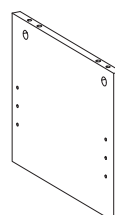
x 1

5



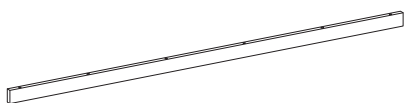
x 1

6



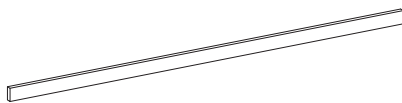
x 1

7



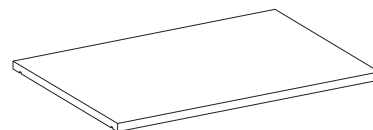
x 1

8



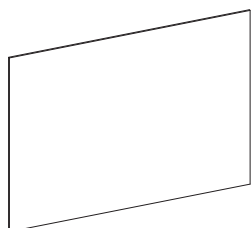
x 1

9



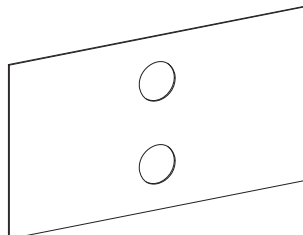
x 1

10



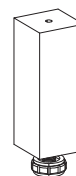
x 2

11



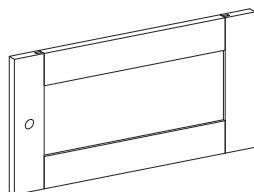
x 1

12



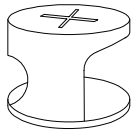
x 2

13



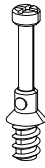
x 2

A



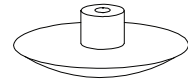
x 20

B



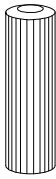
x 20

C



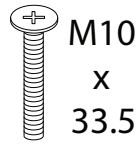
x 12

D



x 20

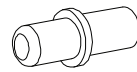
E



M10  
x  
33.5

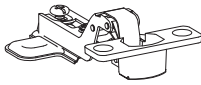
x 6

F



x 4

G



x 4

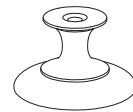
H



M4  
x  
10

x 8

I



x 2

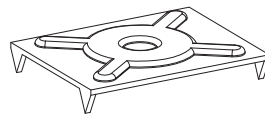
J



M4  
x  
20

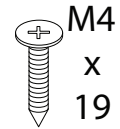
x 2

K



x 2

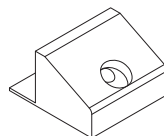
L



M4  
x  
19

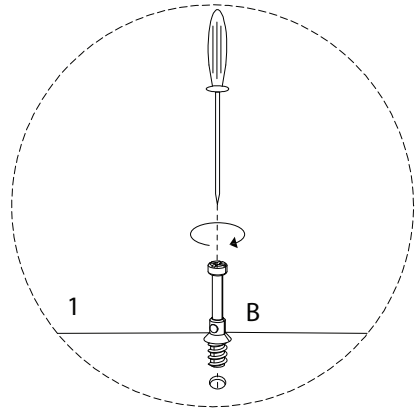
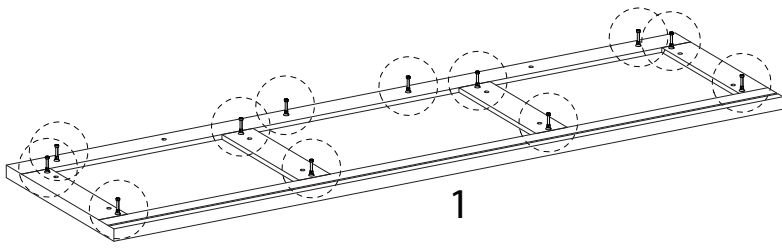
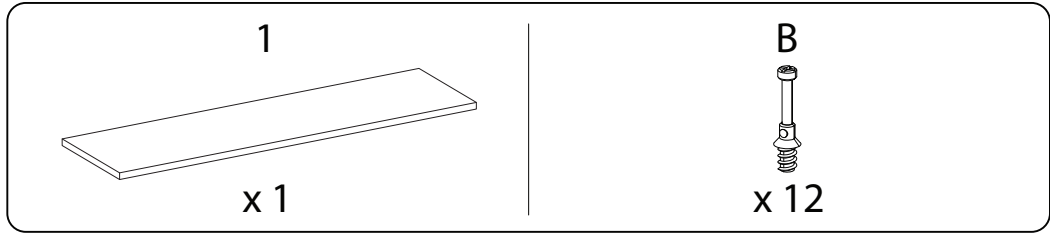
x 18

M

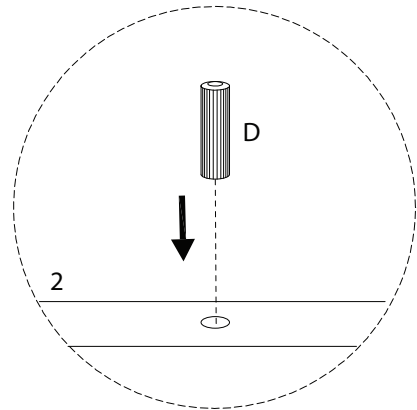
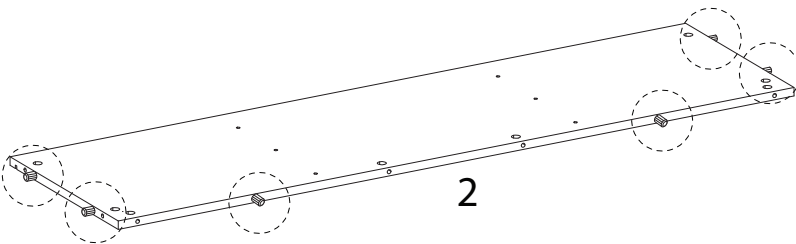
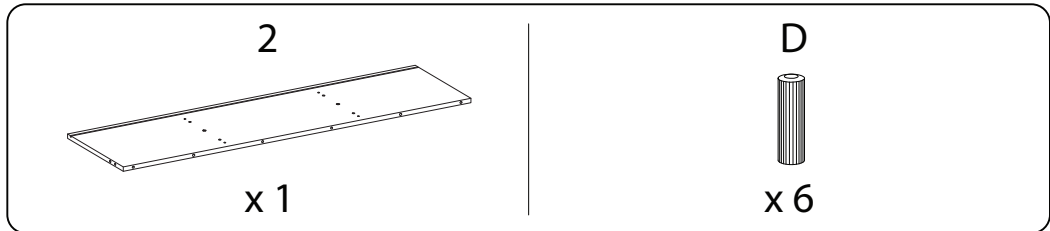


x 16

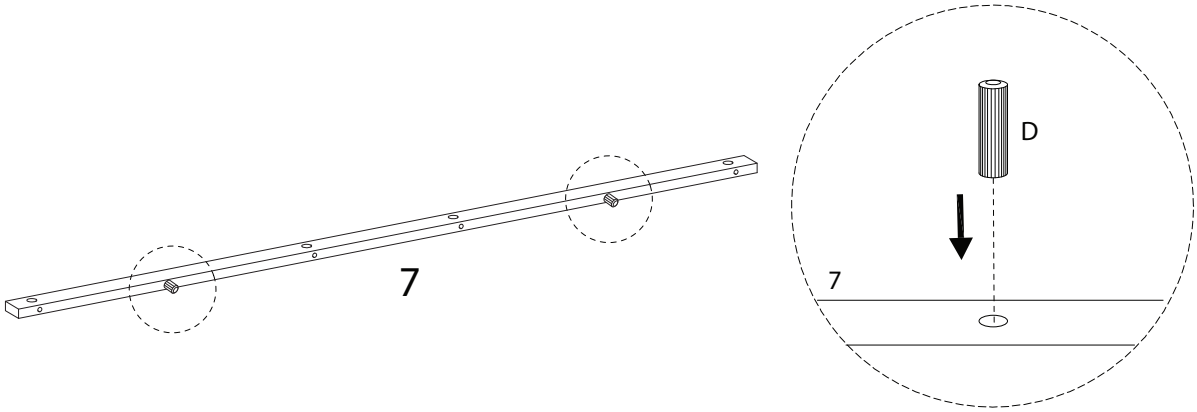
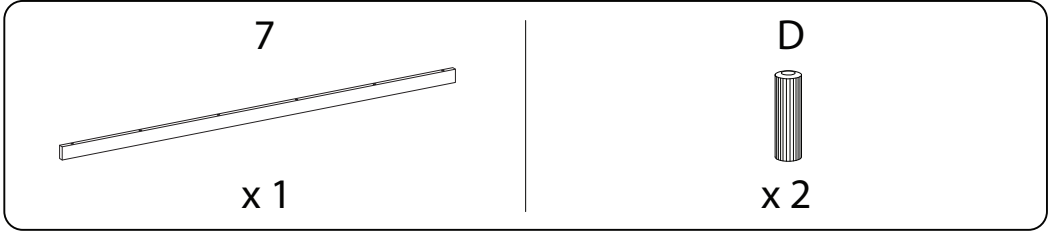
1



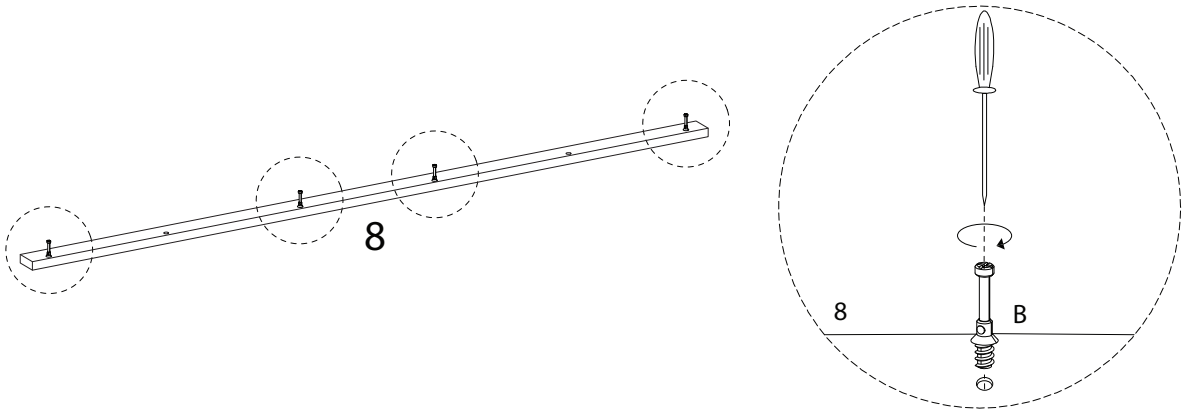
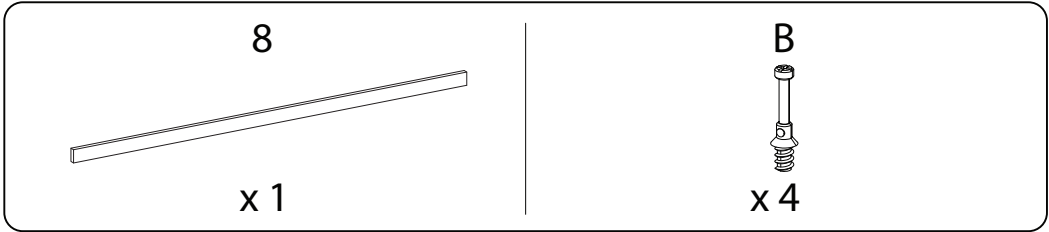
2



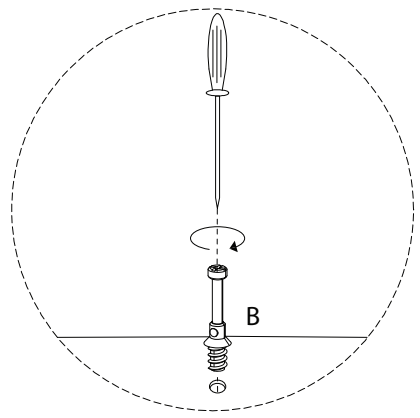
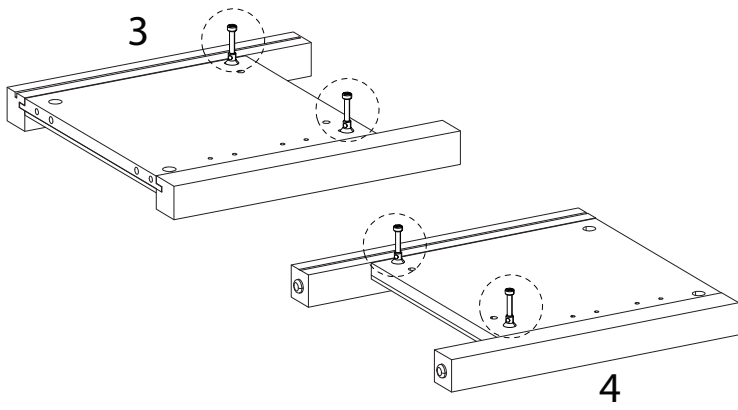
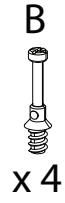
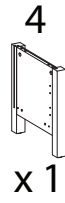
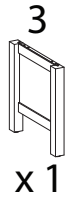
3



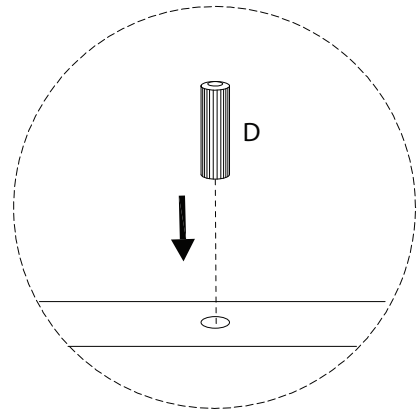
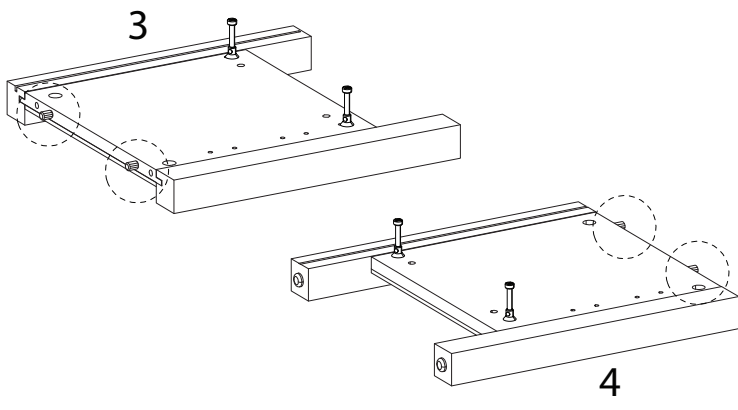
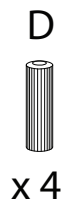
4



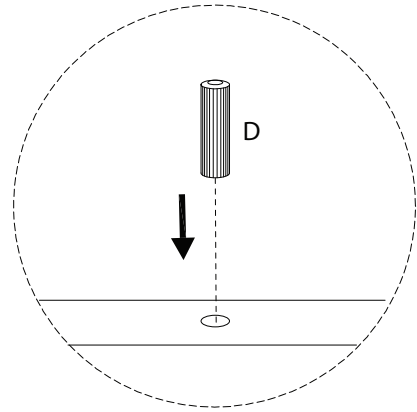
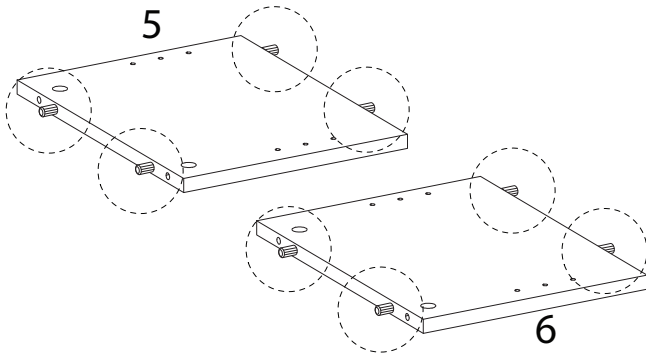
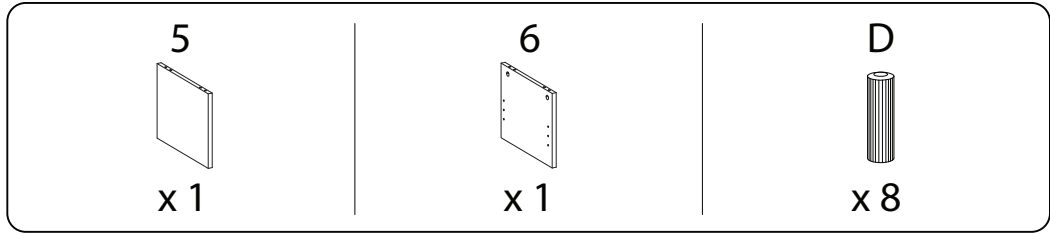
5



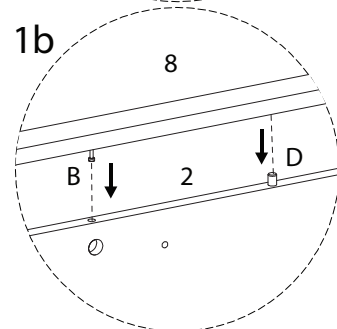
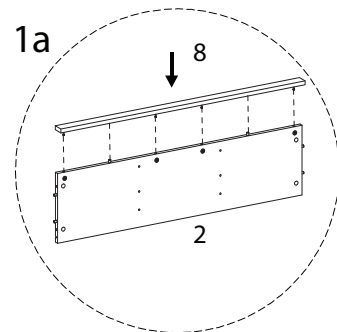
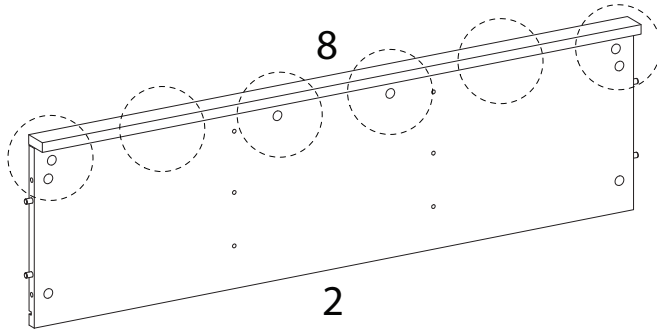
6



7



8



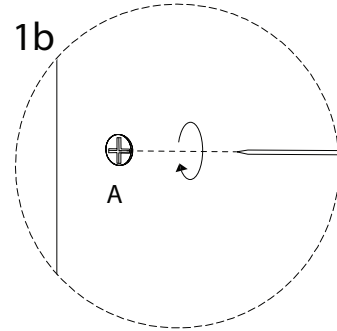
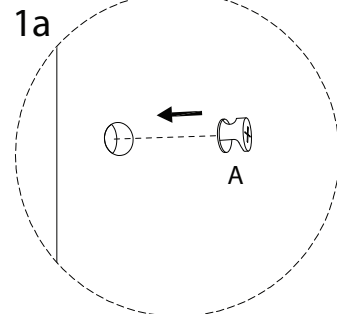
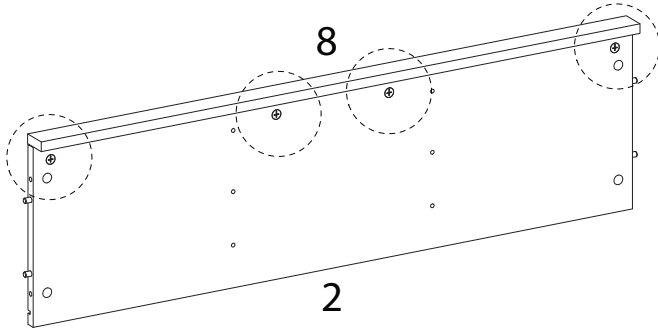


9

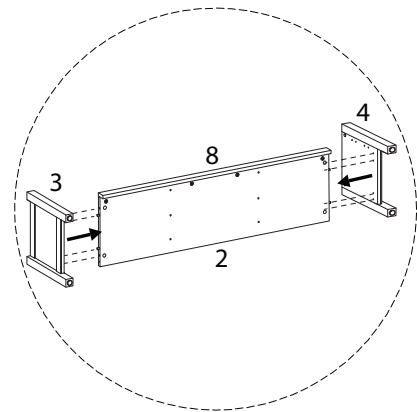
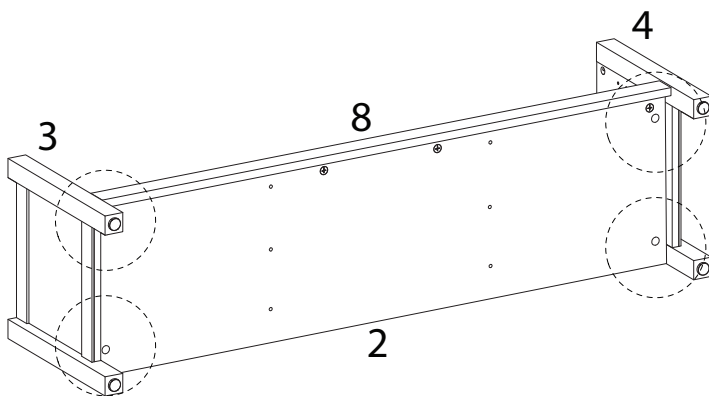
A



x 4



10

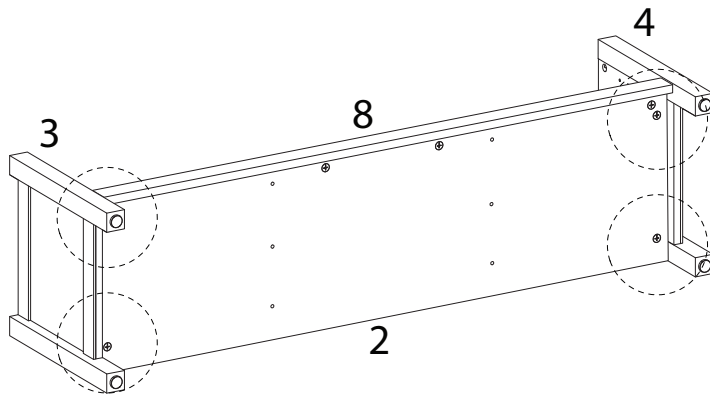


11

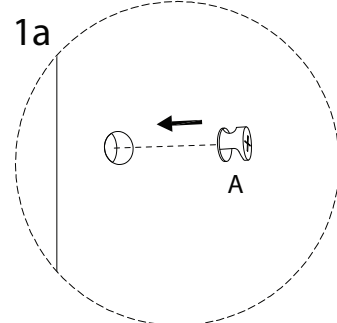
A



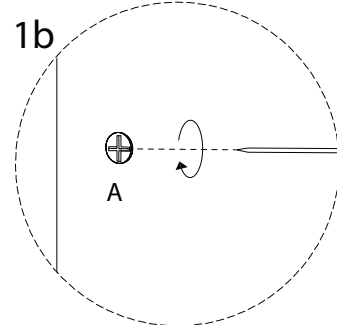
x 4



1a



1b



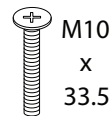
12

12

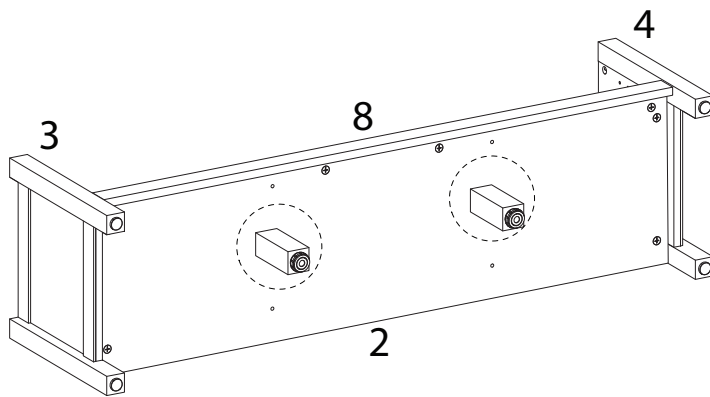


x 2

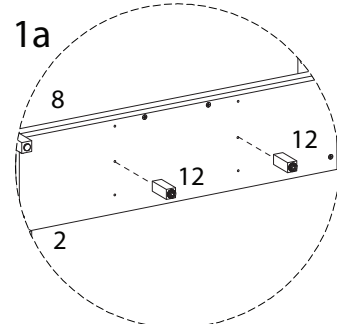
E



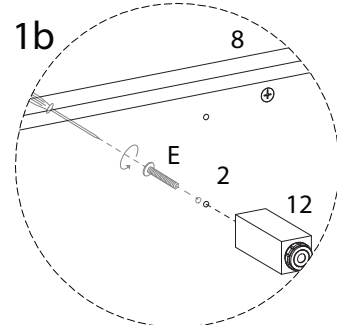
x 2



1a

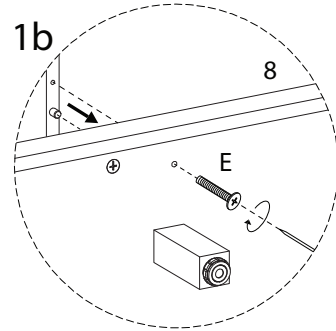
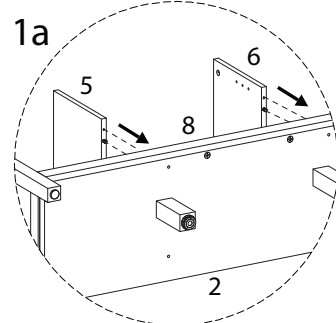
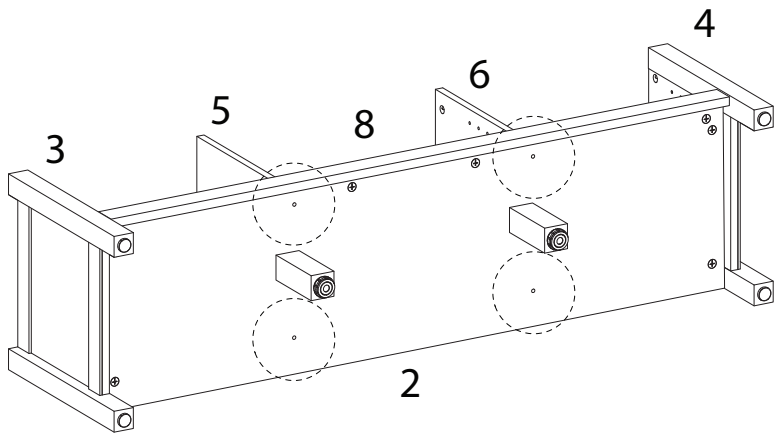


1b



13

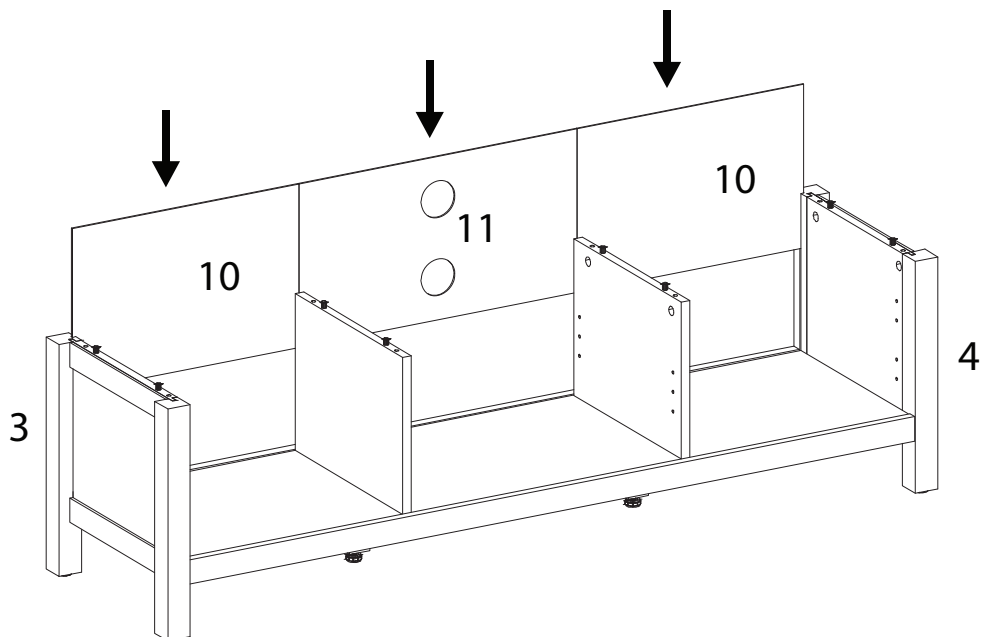
E  
M10  
x  
33.5  
x 4



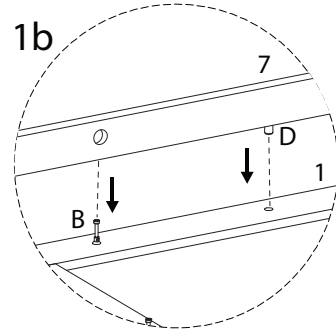
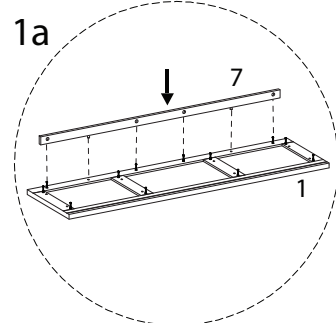
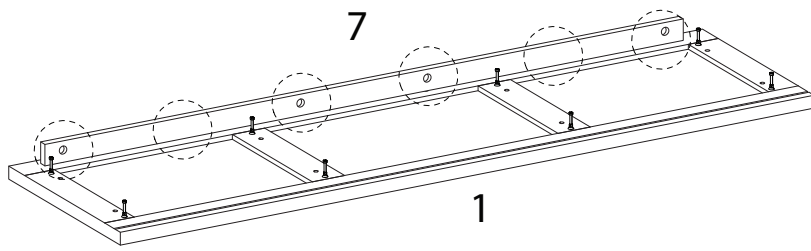
14

10  
x 2

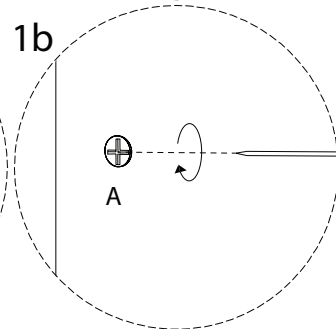
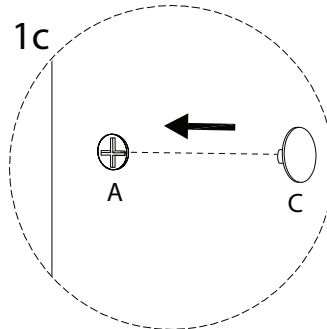
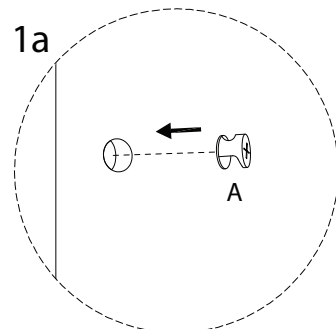
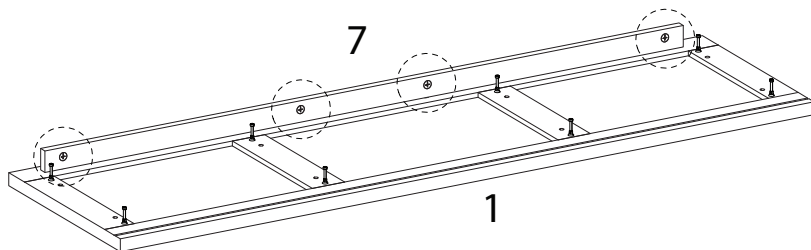
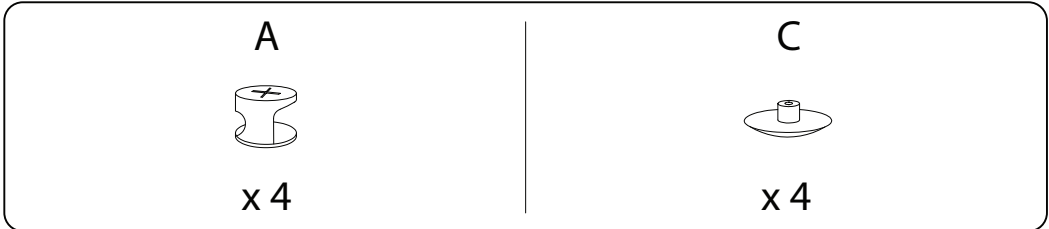
11  
x 1



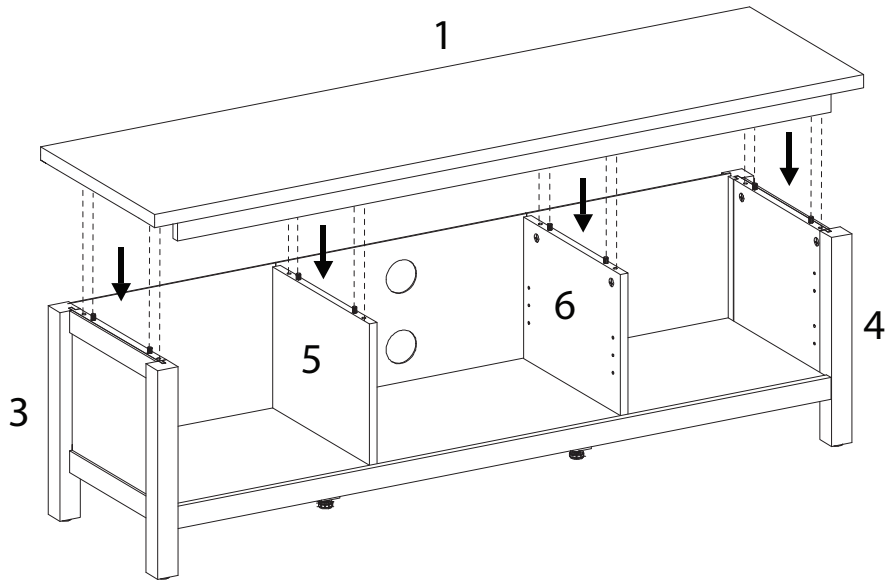
15



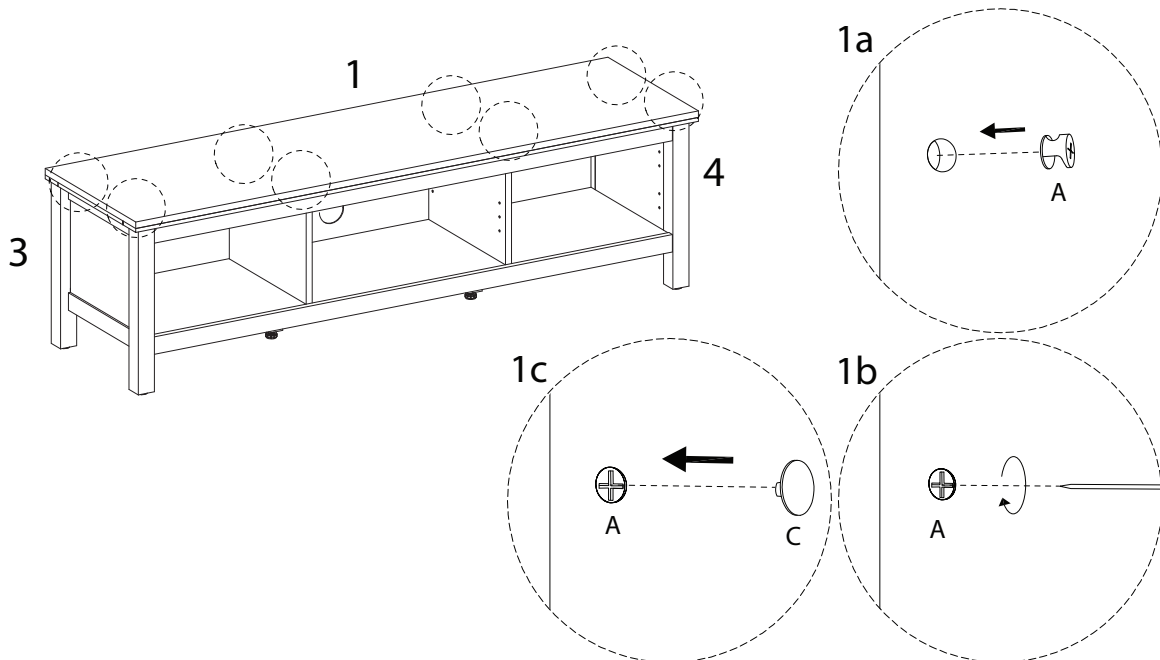
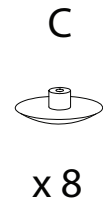
16



17

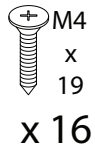


18

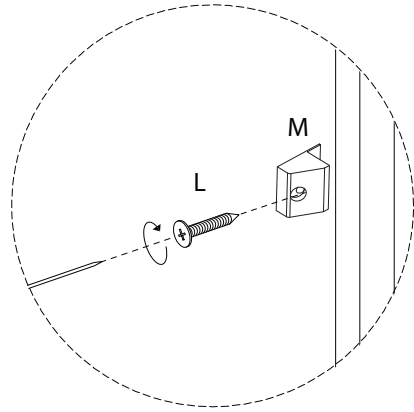
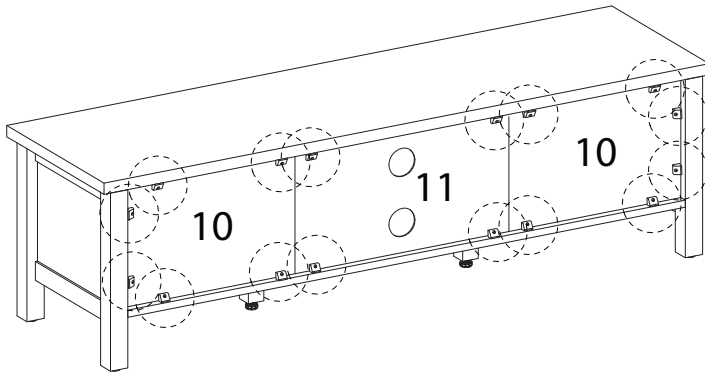


19

L

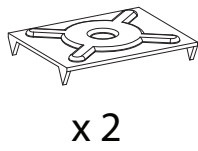


M

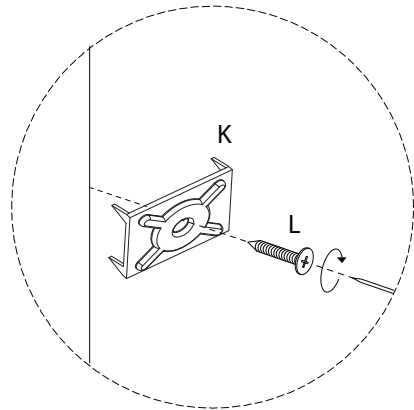
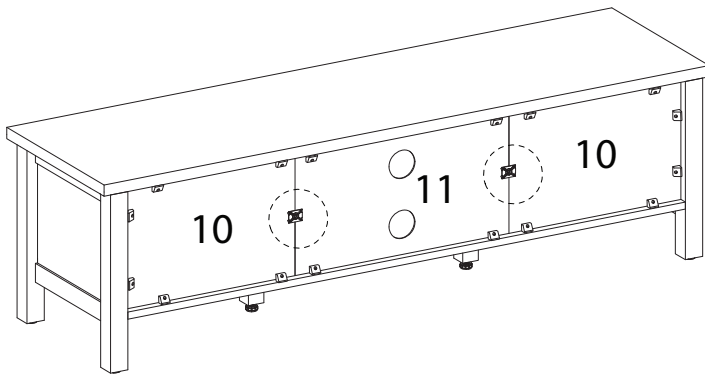
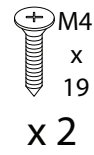


20

K

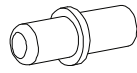


L

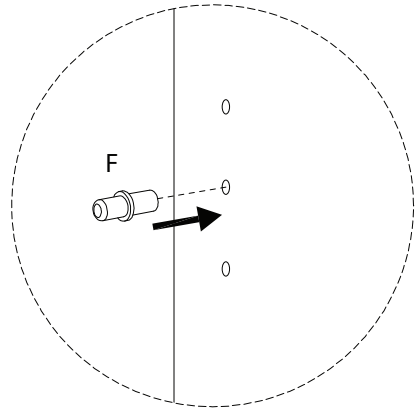
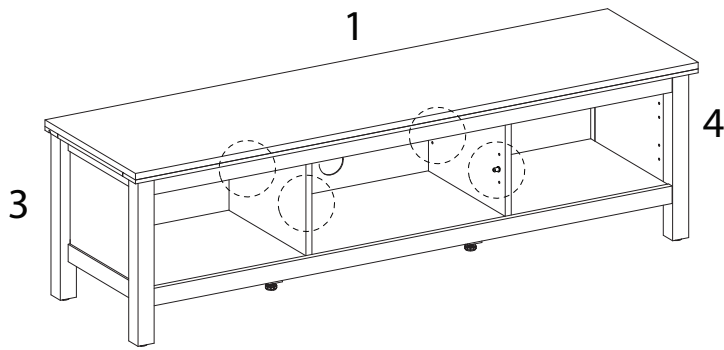


21

F

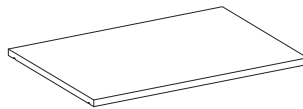


x 4

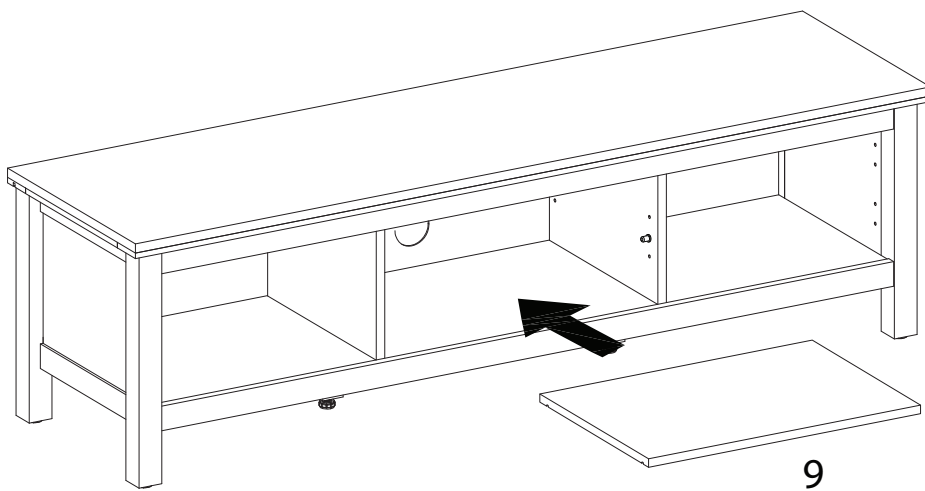


22

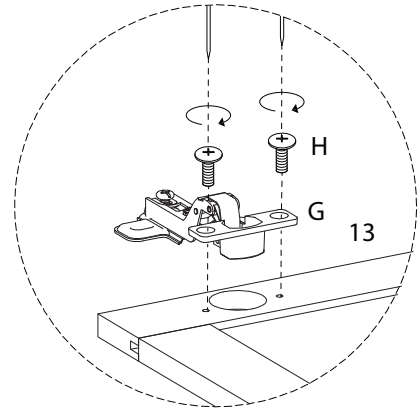
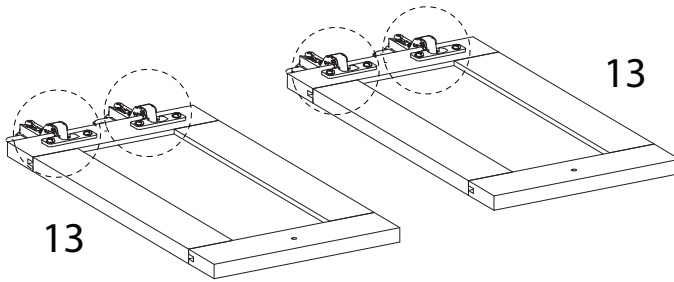
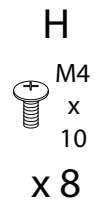
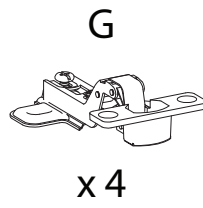
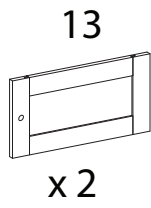
9



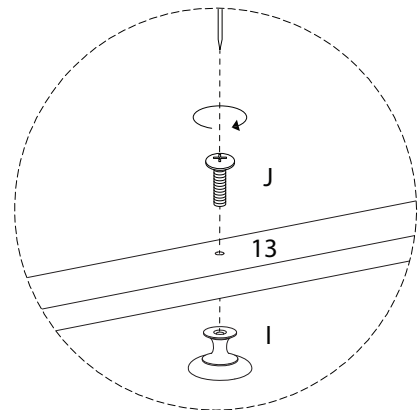
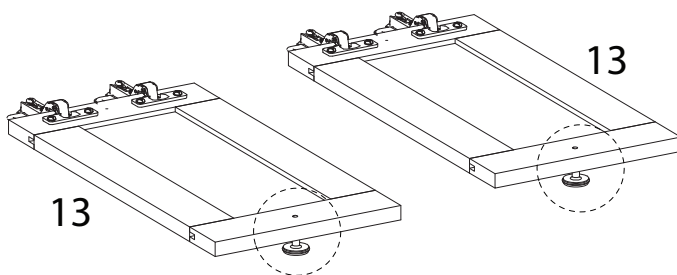
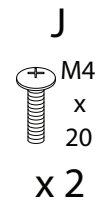
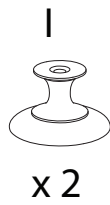
x 1



23

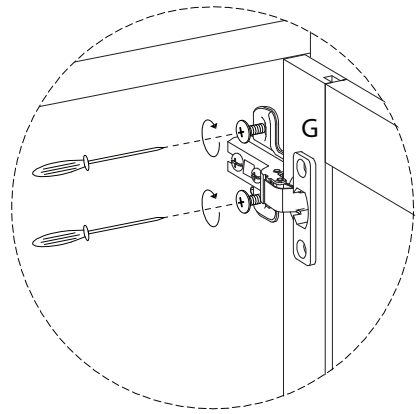
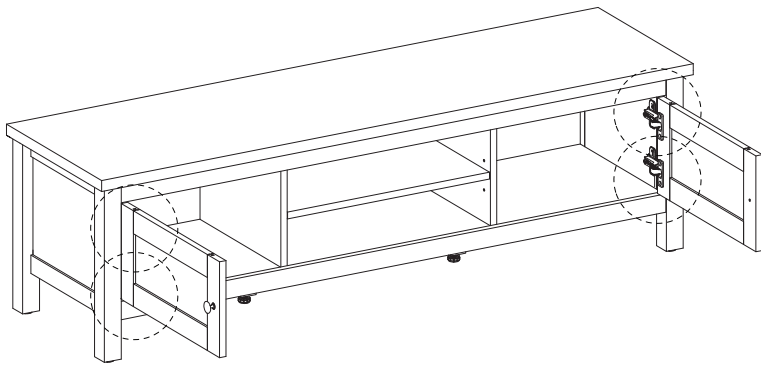


24

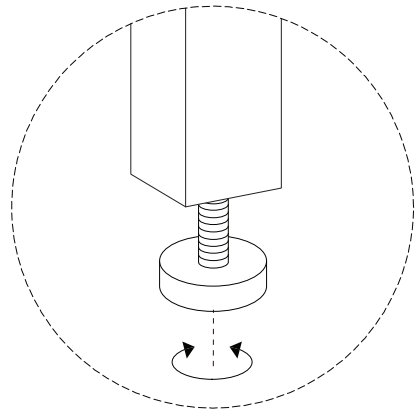
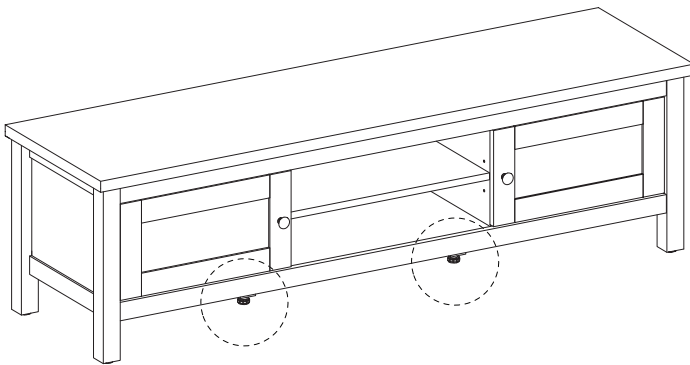




25



!



!

