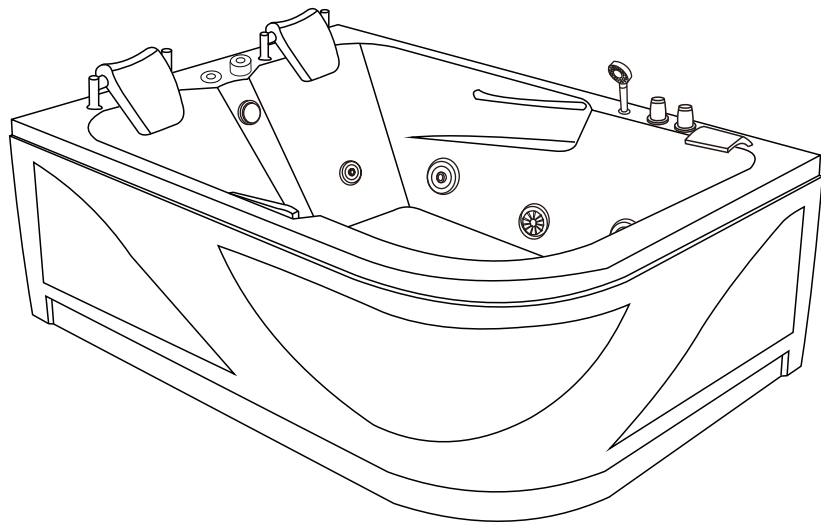
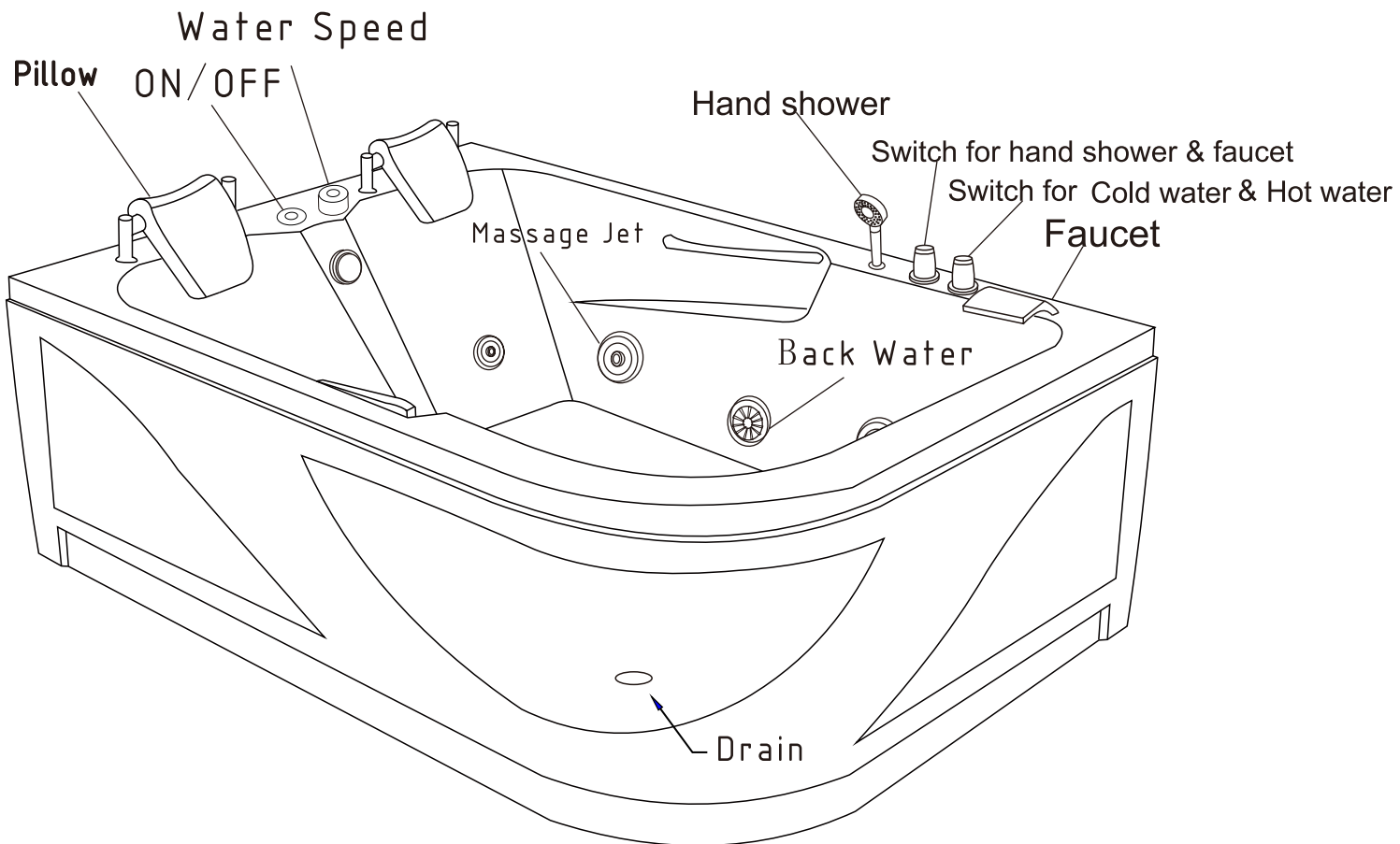
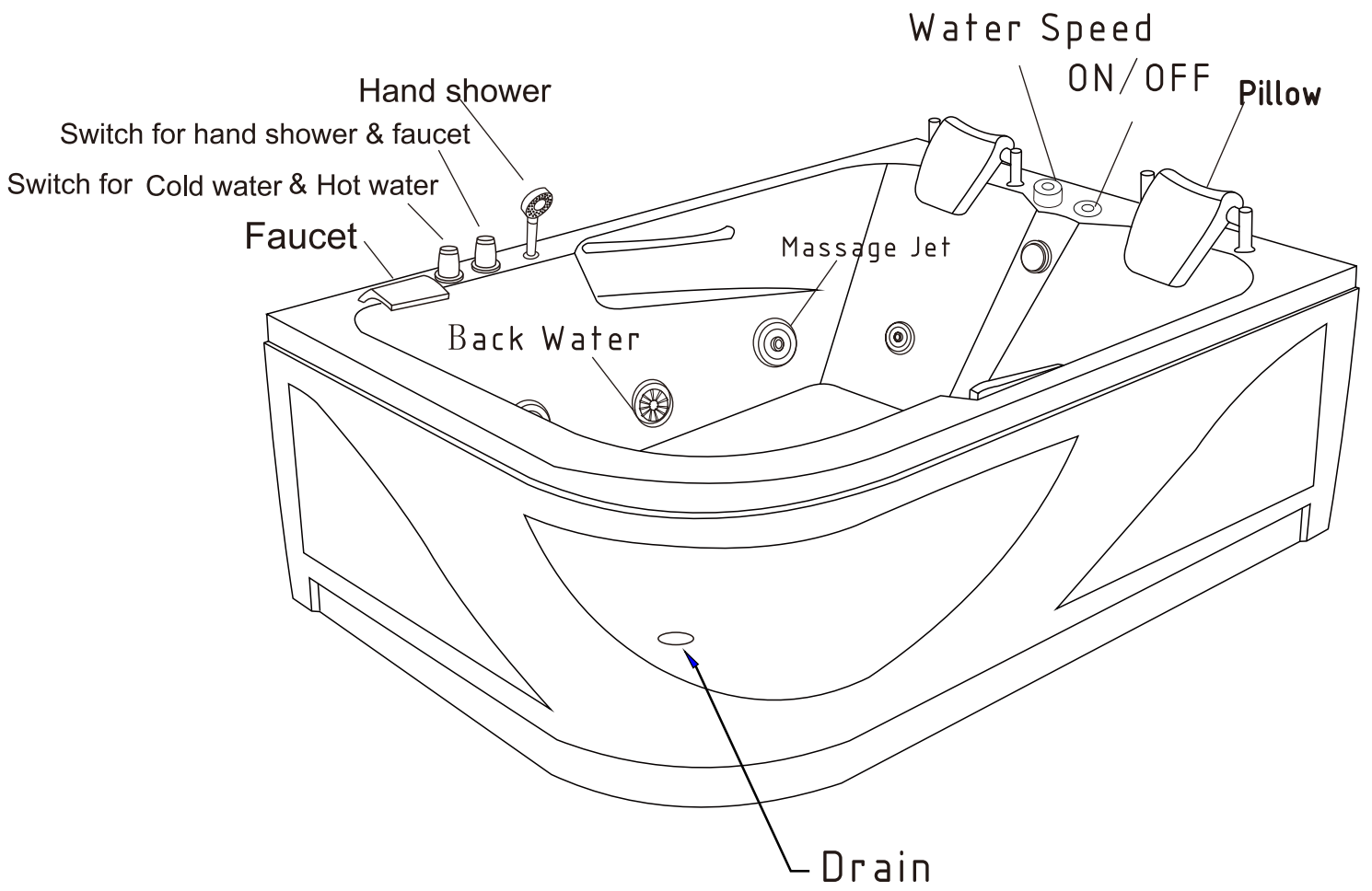
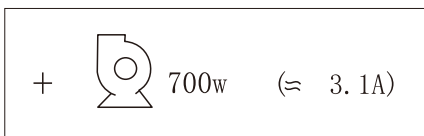
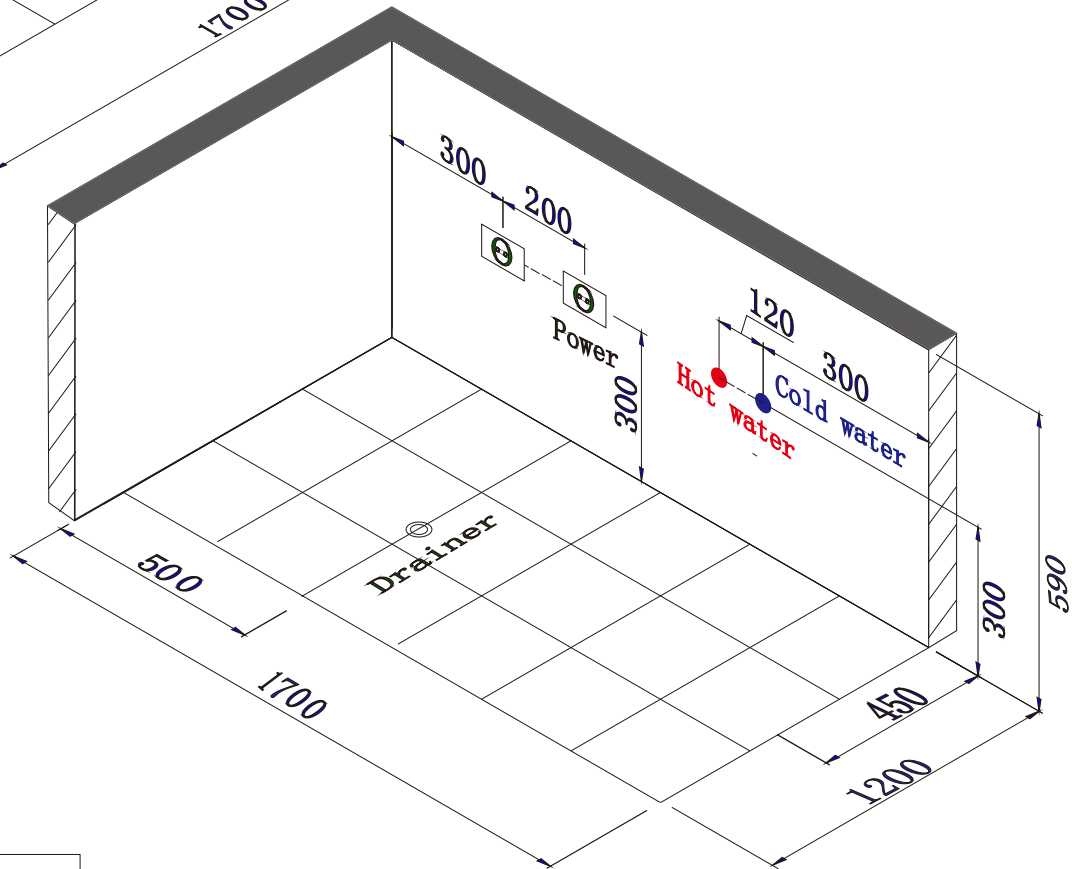
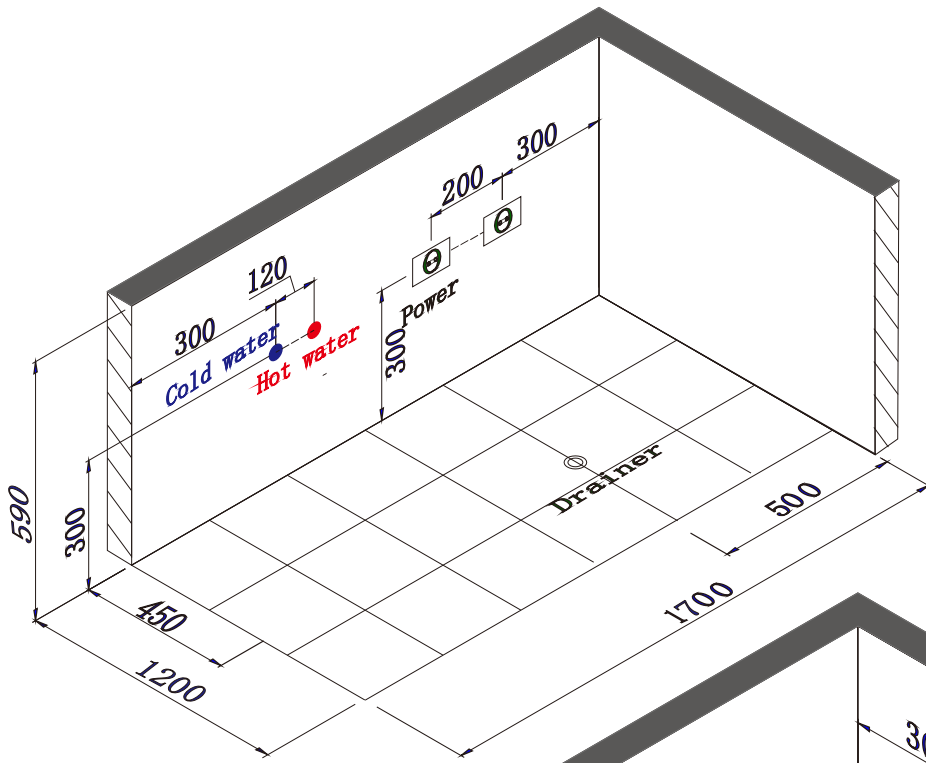


18798 18799
1700*1200*590

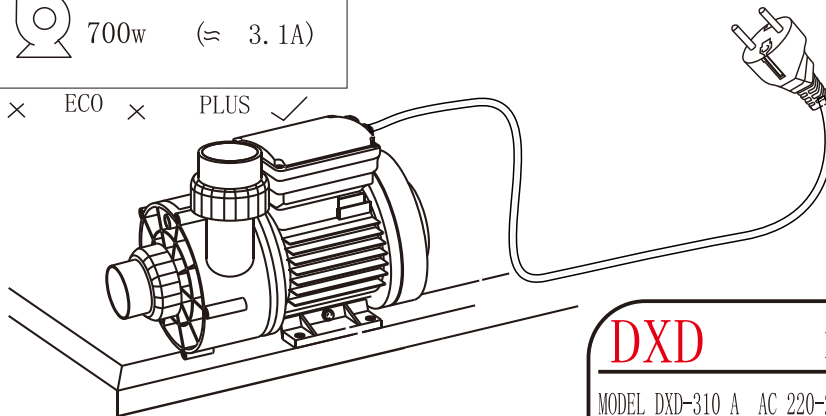


18800 18801
1700*1200*590





VITAL × ECO × PLUS ✓

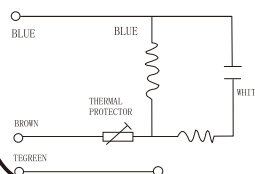


DXD

PUMP

MODEL DXD-310 A AC 220-240V 50Hz 700W CLASS B IPX5

MAX WATER TEMPERATURE 50C 15w F/450V Hmin 1m



Ground properly!
Do Not Start Pump
Without Water!

