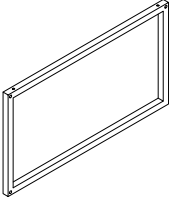
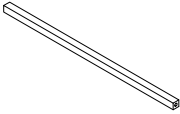
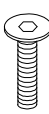
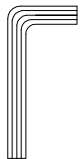
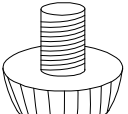
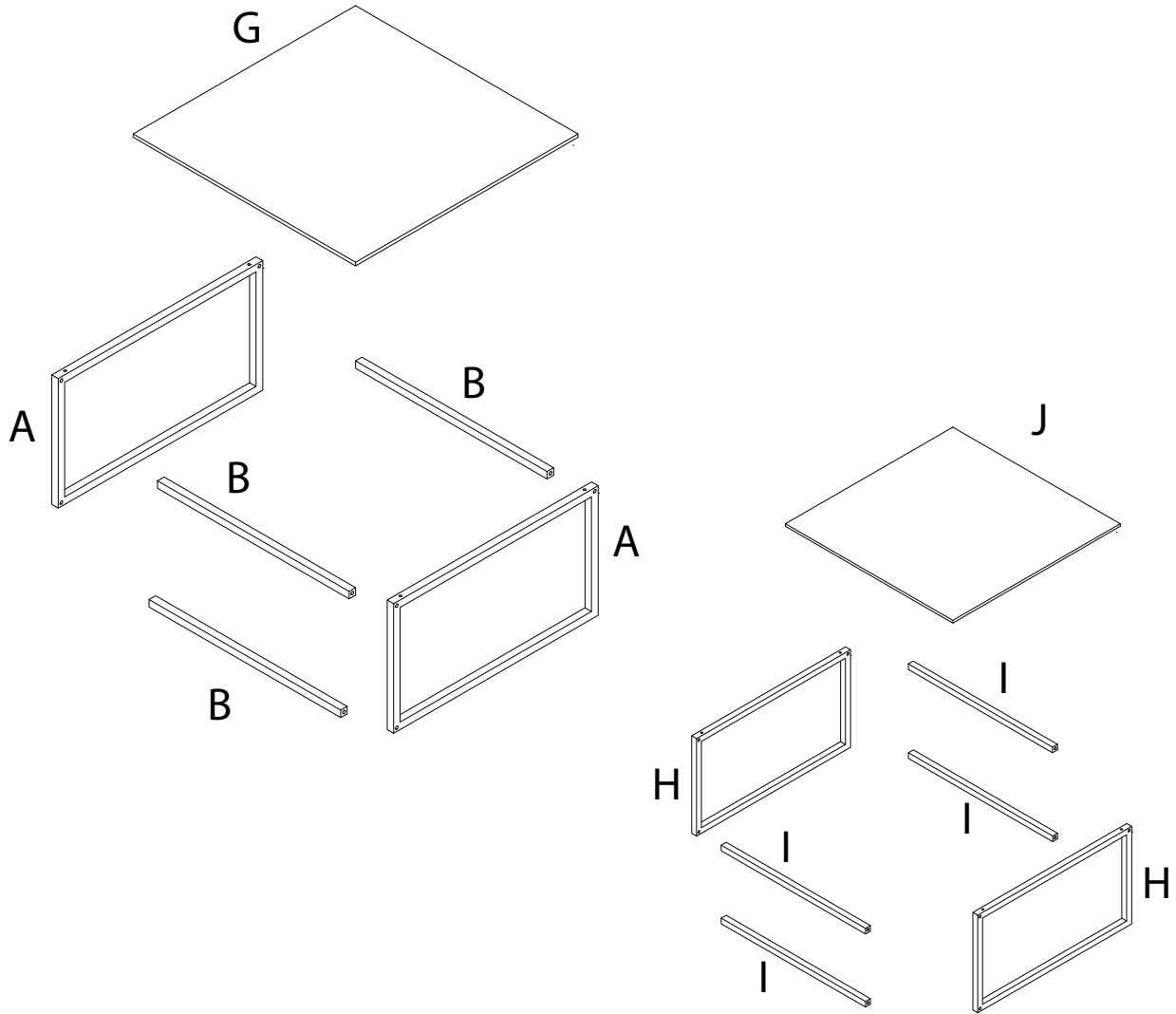


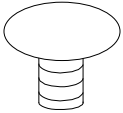
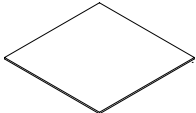
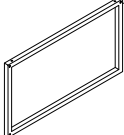
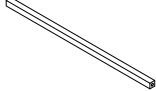
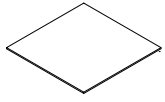
Assembly instructions for step 1/6:

- Top Section:** Shows an L-shaped corner bracket being attached to a wooden frame. A power drill is shown with a diagonal line through it, indicating that a power drill should not be used. A warning triangle with an exclamation mark is positioned to the right. Below this is a clock icon with the text "30'", indicating a 30-minute time requirement.
- Bottom Section:** Shows a rectangular wooden panel being placed on a surface. A power drill is shown with a diagonal line through it, indicating that a power drill should not be used. A warning triangle with an exclamation mark is positioned to the right. Below this is a person icon with the text "1", indicating that one person is required for this step.

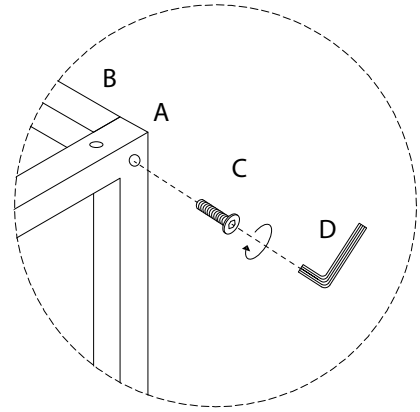
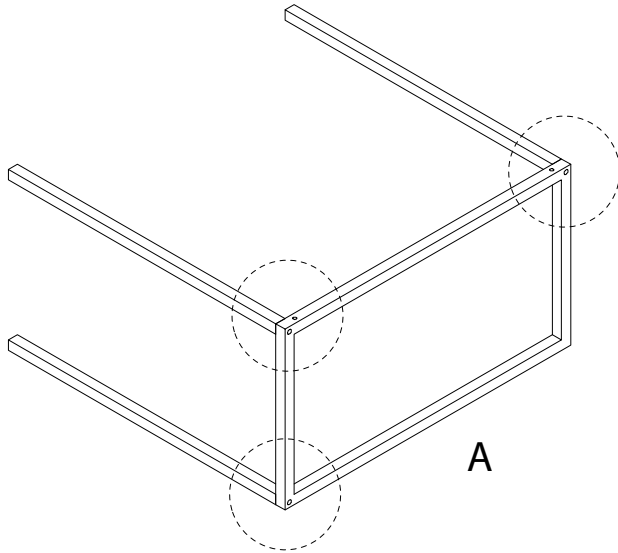
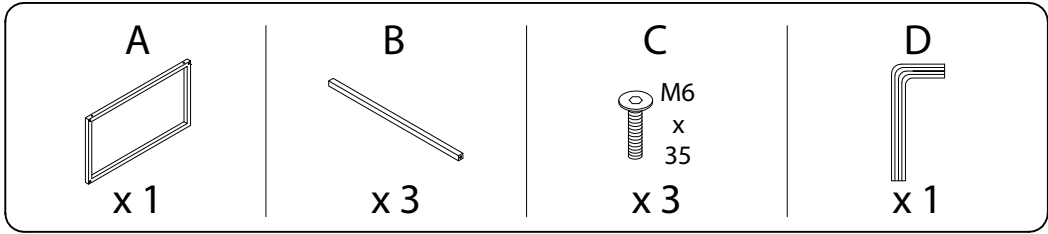
1/6

<p>A</p>  <p>x 2</p>	<p>B</p>  <p>x 3</p>	<p>C</p>  <p>M6 x 35</p> <p>x 14</p>	<p>D</p>  <p>x 1</p>	<p>E</p>  <p>x 8</p>
---	---	---	---	---

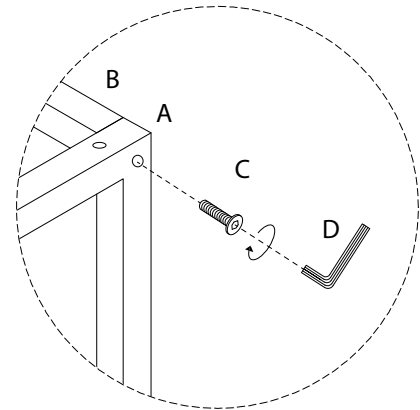
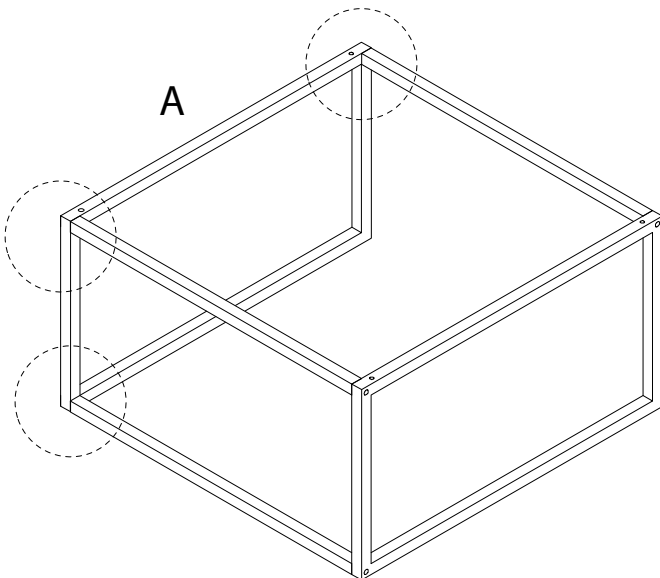
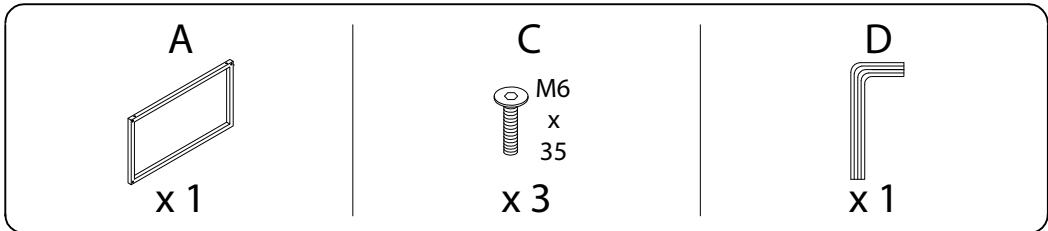


<p>F</p>  <p>x 8</p>	<p>G</p>  <p>x 1</p>	<p>H</p>  <p>x 2</p>	<p>I</p>  <p>x 4</p>	<p>J</p>  <p>x 1</p>
---	---	---	--	---

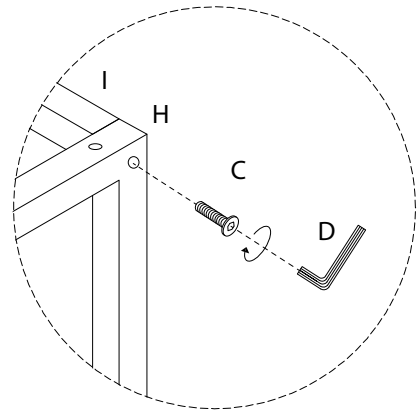
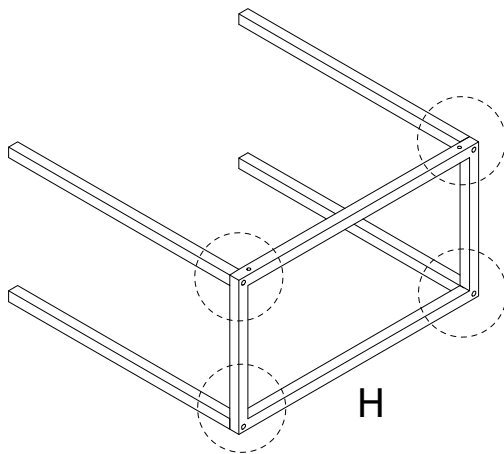
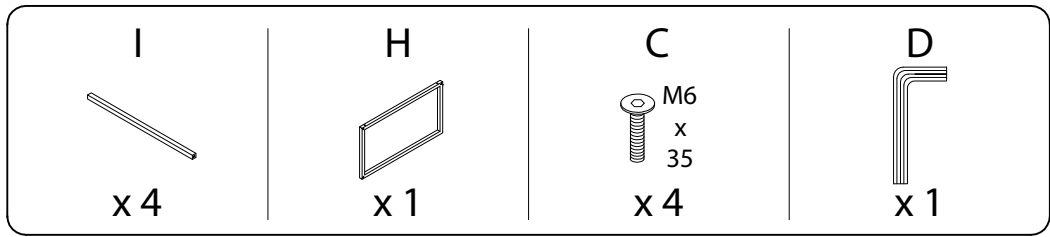
1



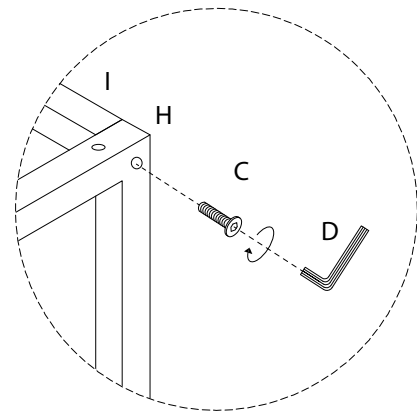
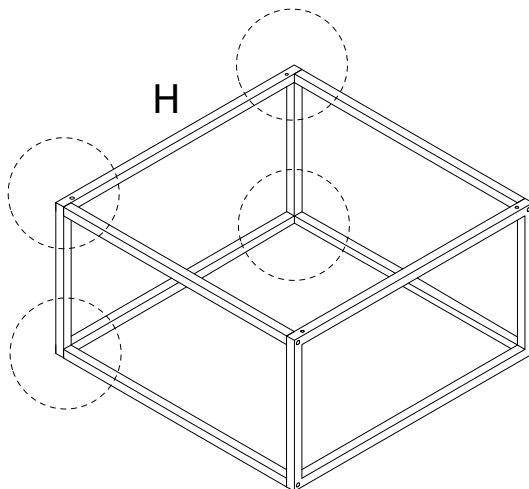
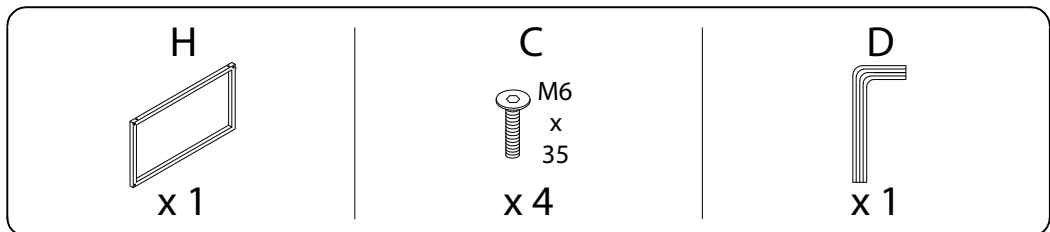
2



3

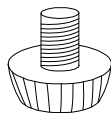


4

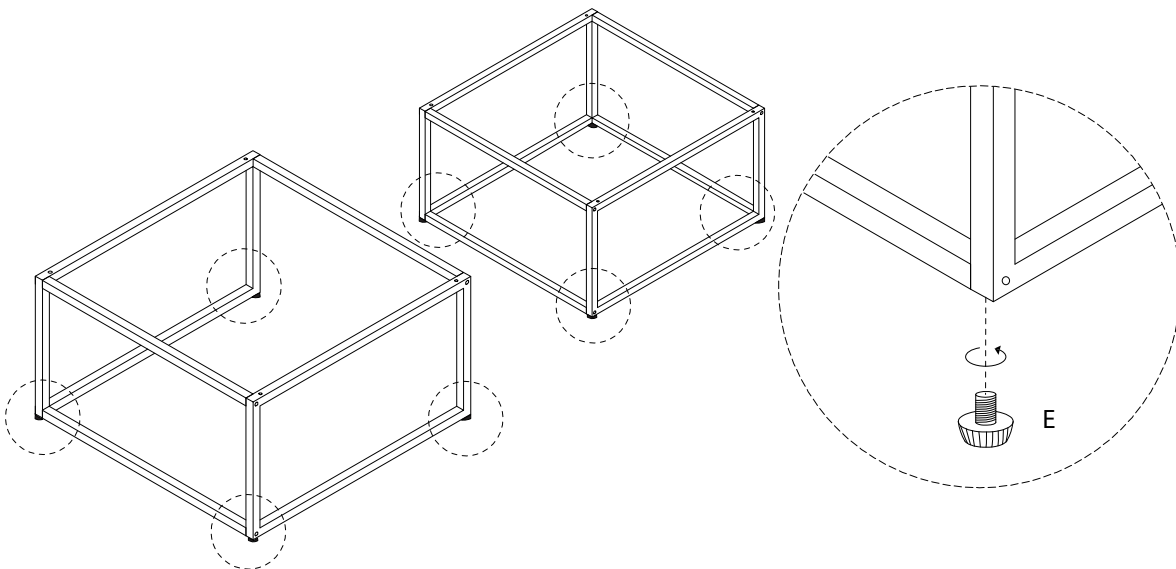


5

E



x 8

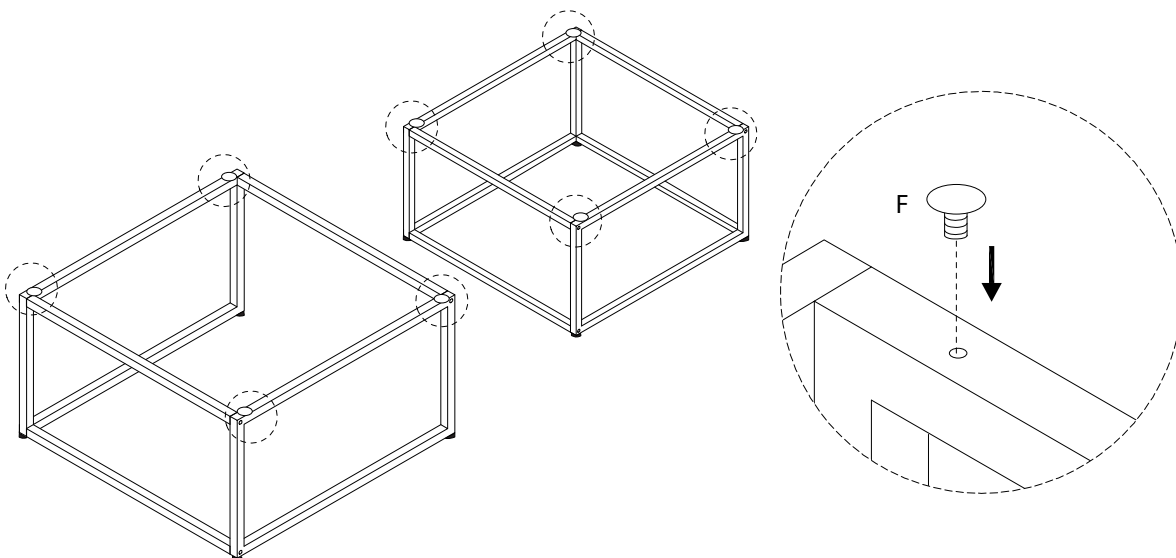


6

F



x 8



7

