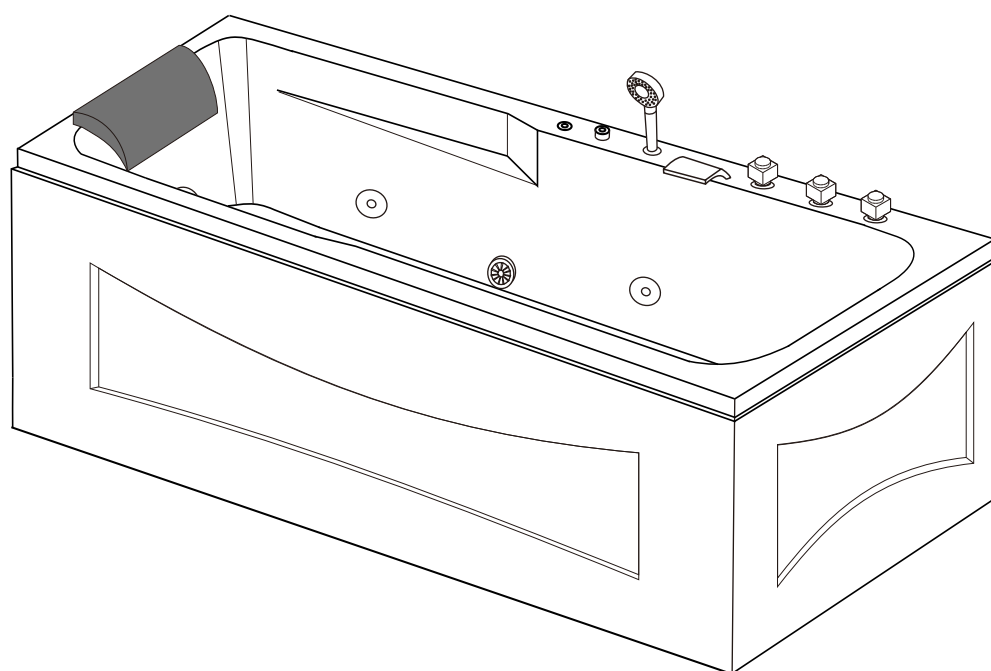


18788

18789

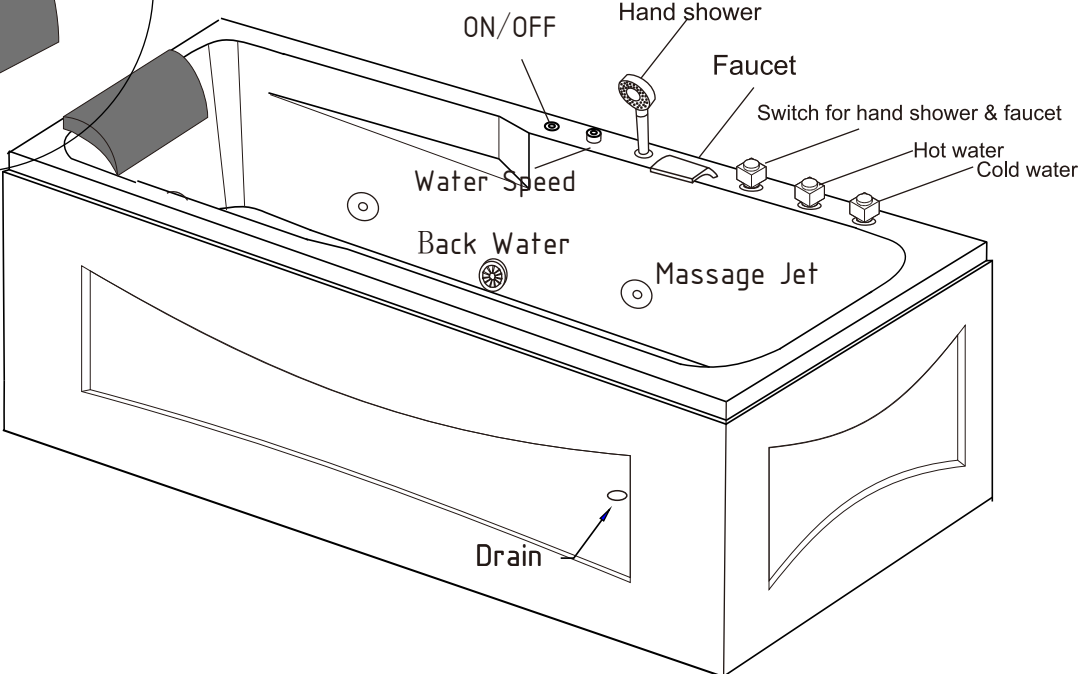
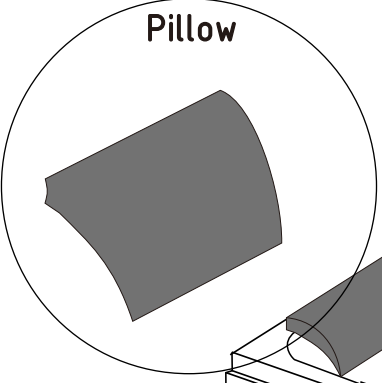
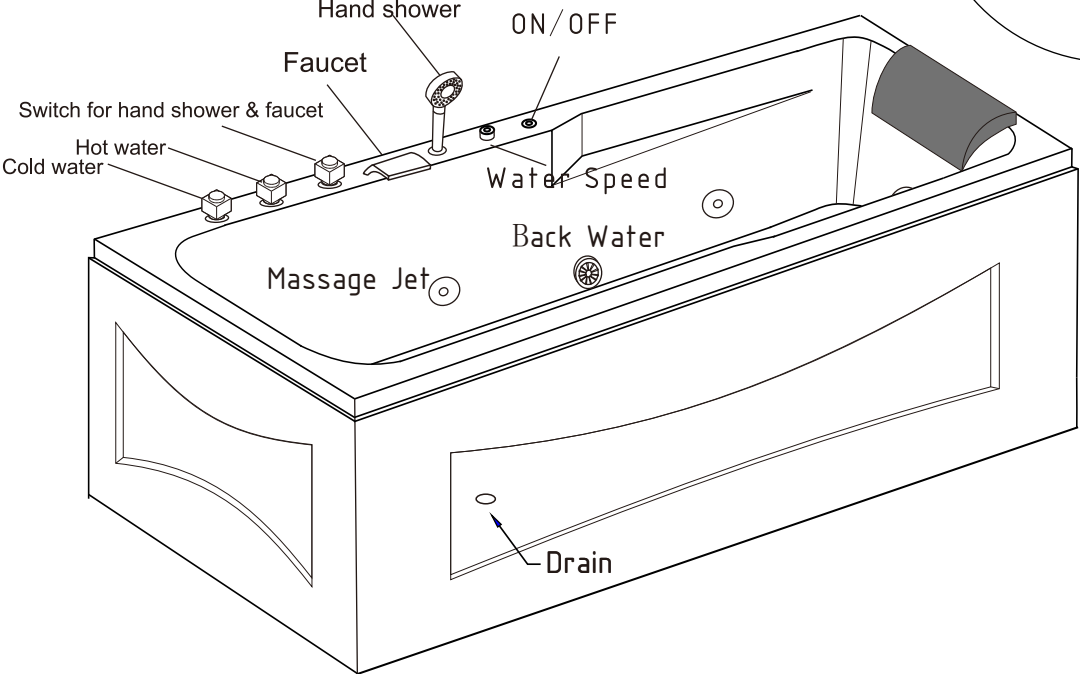
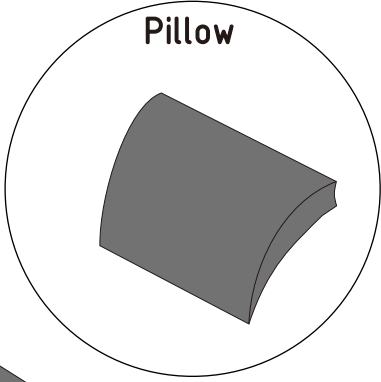
1700x800x590mm

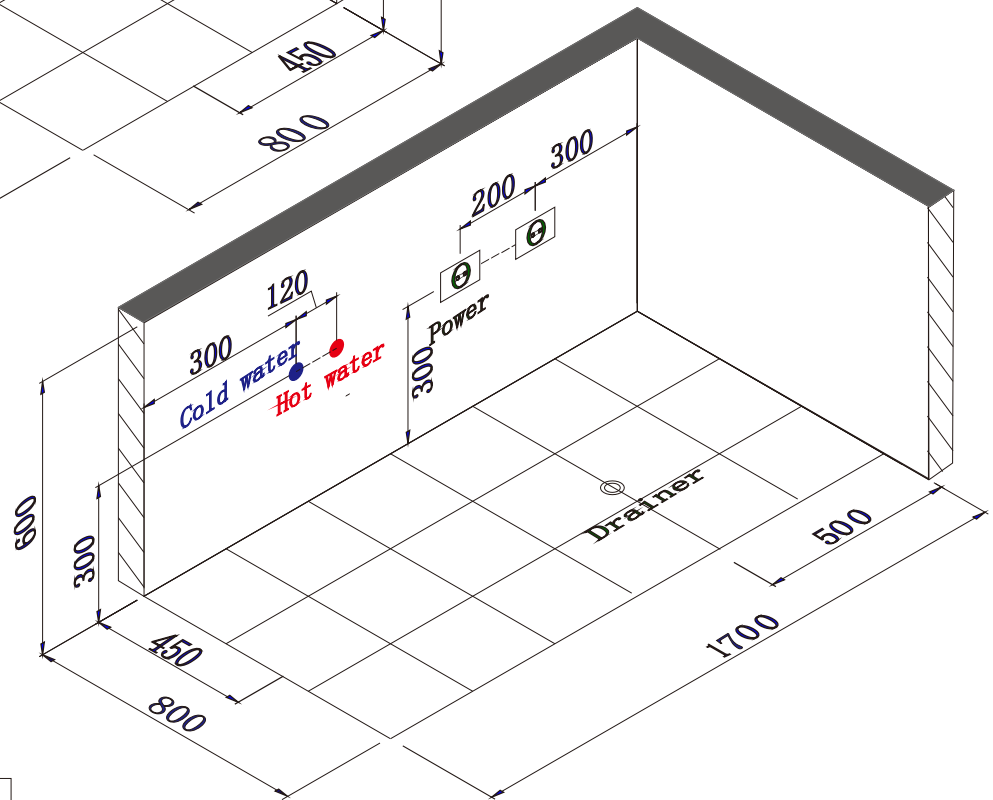
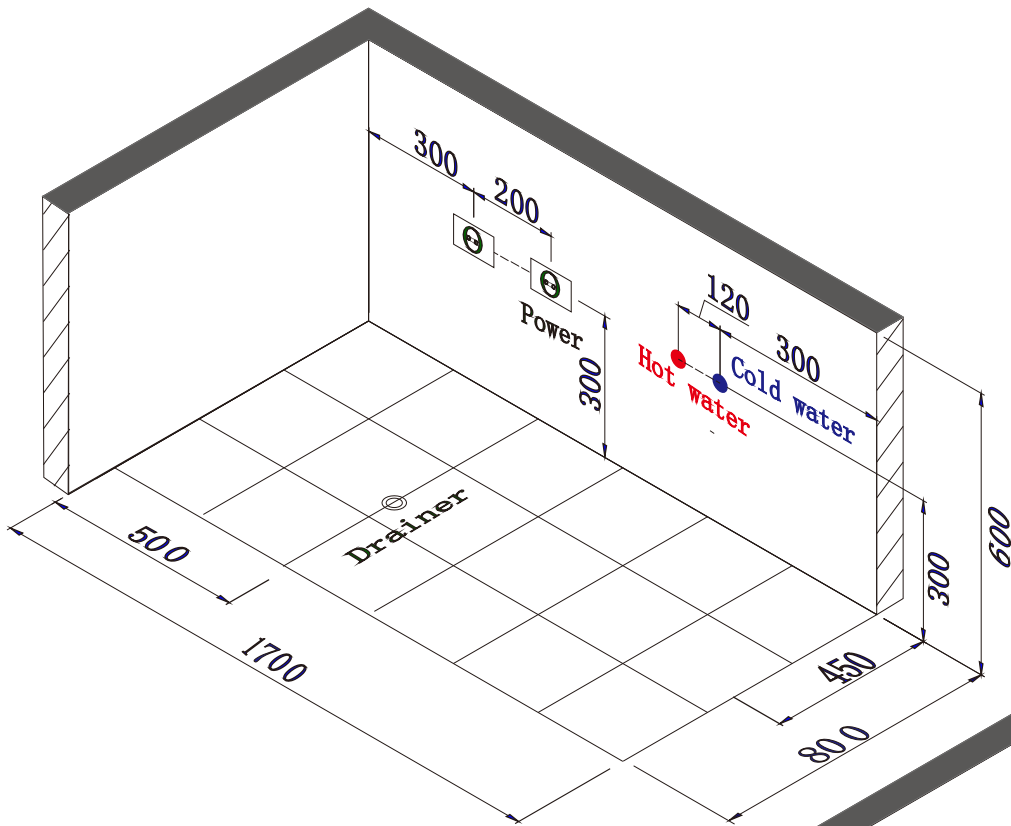



18790

18791

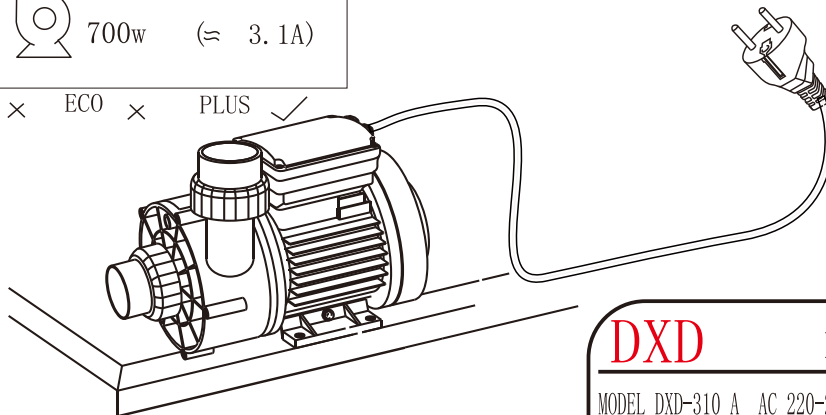
1700x800x590mm





+  700w (≈ 3.1A)

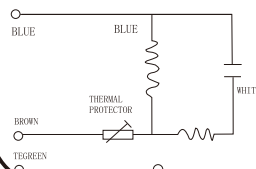
VITAL × ECO × PLUS ✓



## DXD PUMP

MODEL DXD-310 A AC 220-240V 50Hz 700W CLASS B IPX5

MAX WATER TEMPERATURE 50C 15u F/450V Hmin 1m



Ground properly!  
Do Not Start Pump  
Without Water!

