

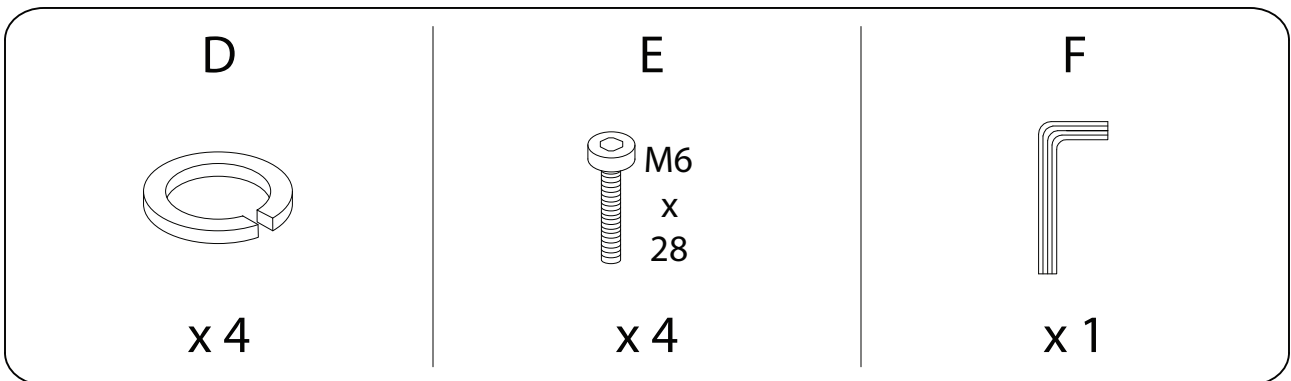
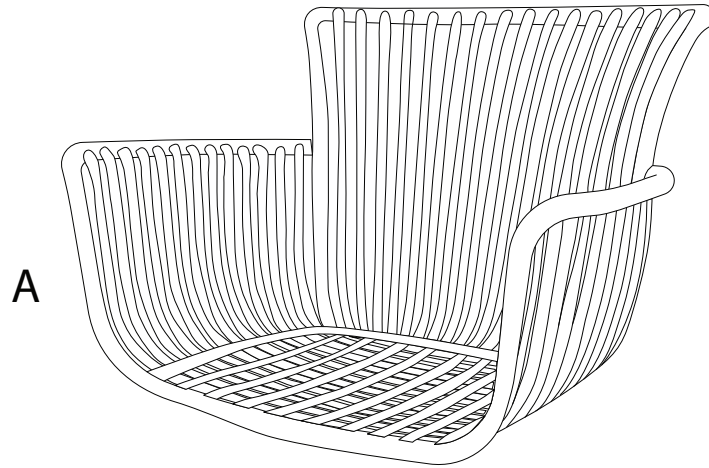
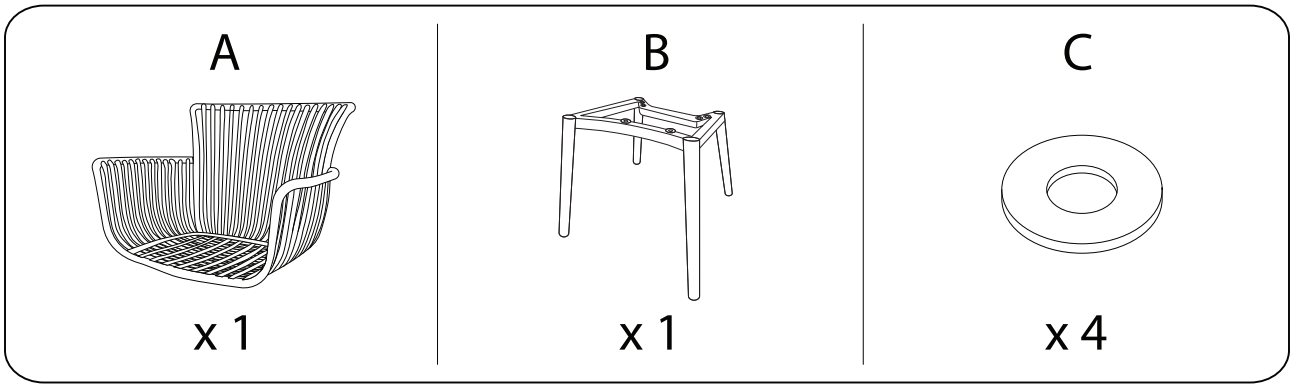
PESARO



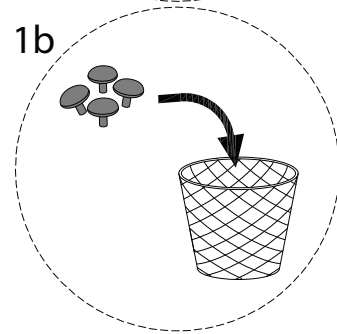
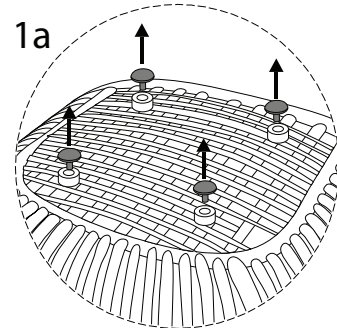
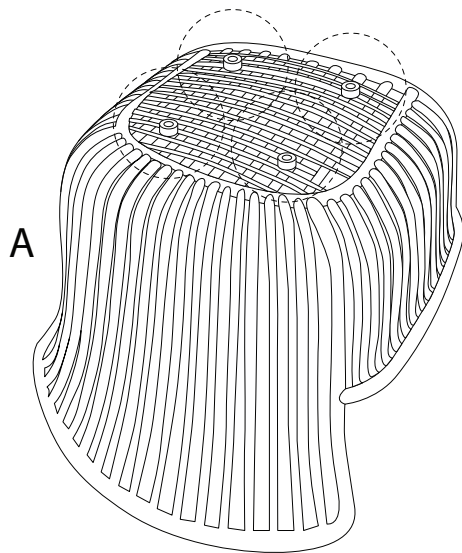


Diagram illustrating assembly instructions and safety warnings:



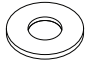
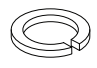
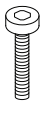
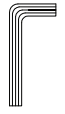
- Warning 1:** A warning triangle with an exclamation mark is positioned above a box containing an L-shaped metal bracket and a power drill with a slash through it, indicating that a power drill should not be used for this step.
- Warning 2:** A second warning triangle with an exclamation mark is positioned above a box containing a rectangular block being placed on a surface and a diagram showing the block being secured with a screw.
- Time:** A clock icon with a circular arrow indicates a duration of **10'** (10 minutes).
- Personnel:** An icon of a person indicates that **1** person is required for this step.



!



1

A  x 1	B  x 1	C  x 4	D  x 4	E  M6 x 25 x 4	F  x 1
--	--	--	---	---	--

