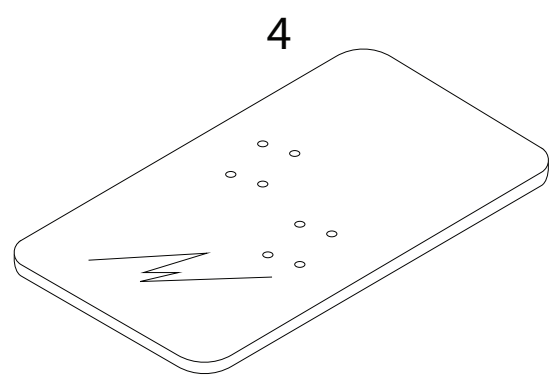
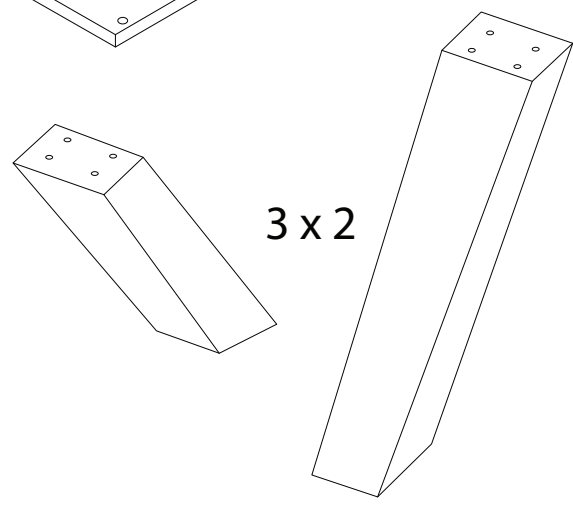
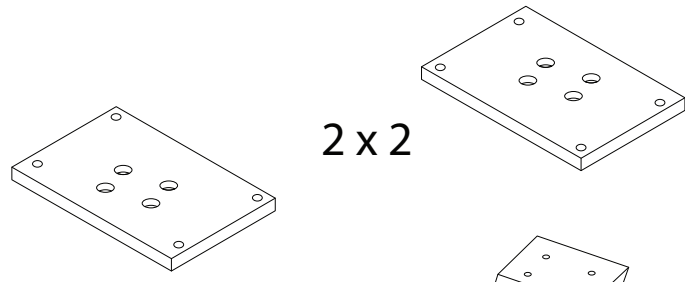
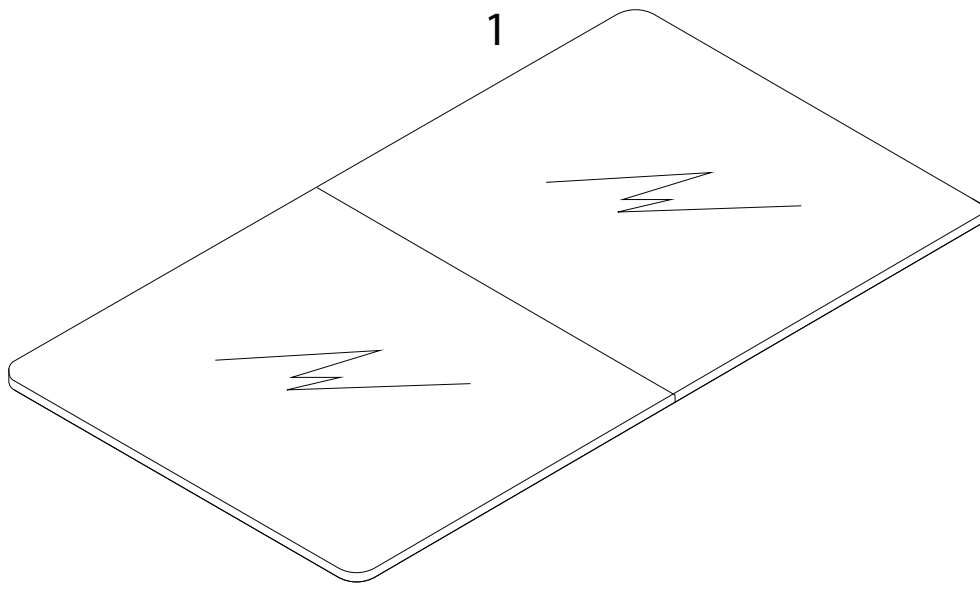
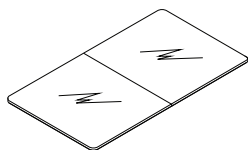


		60'
		2

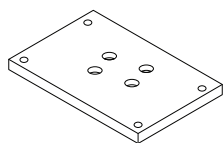


1



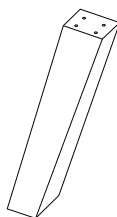
x 1

2



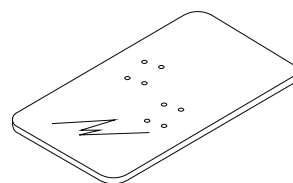
x 2

3



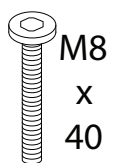
x 2

4



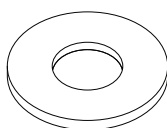
x 1

A



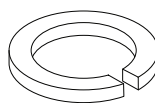
x 24

B



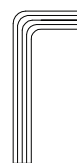
x 24

C



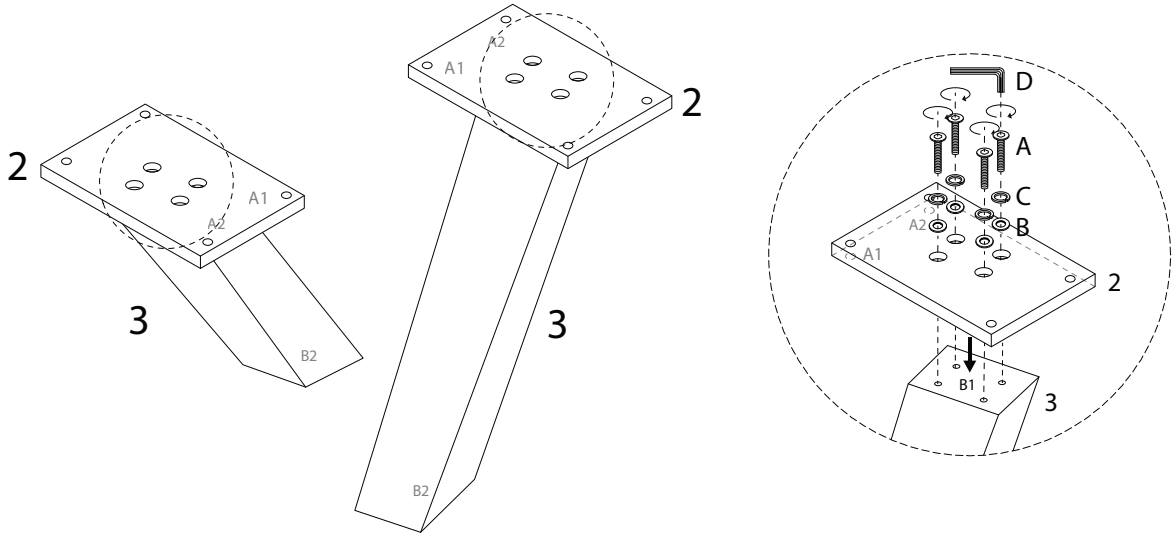
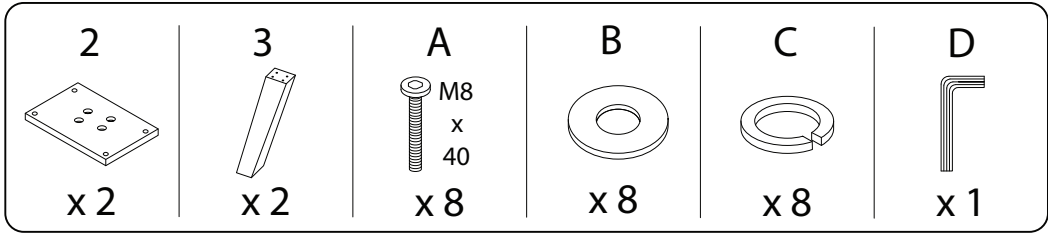
x 24

D

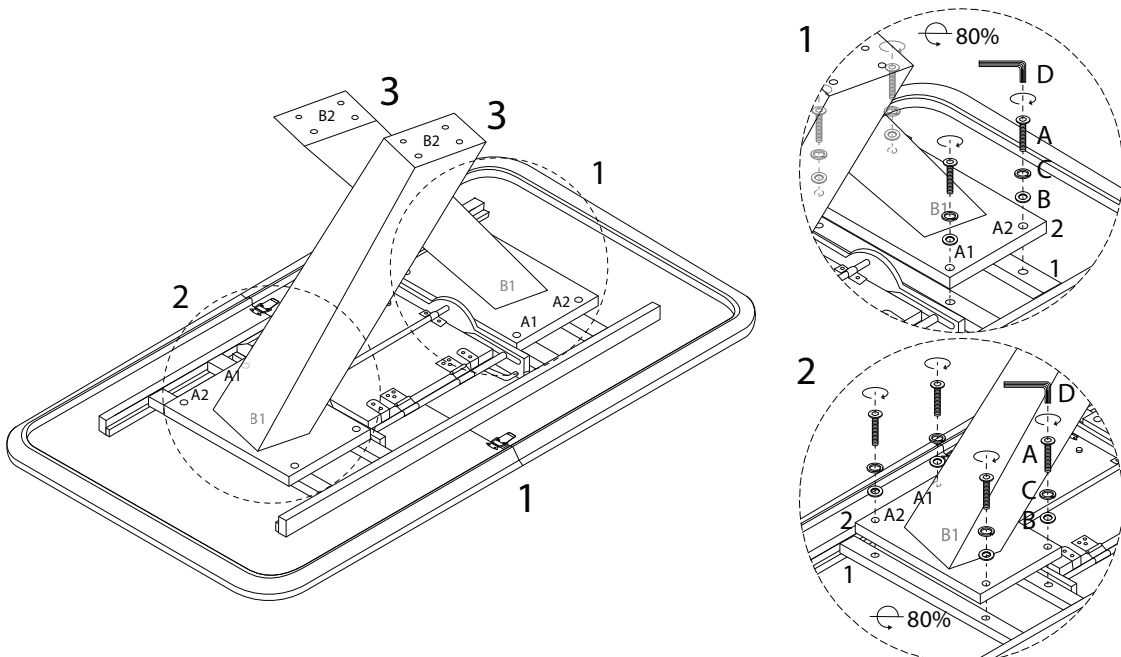
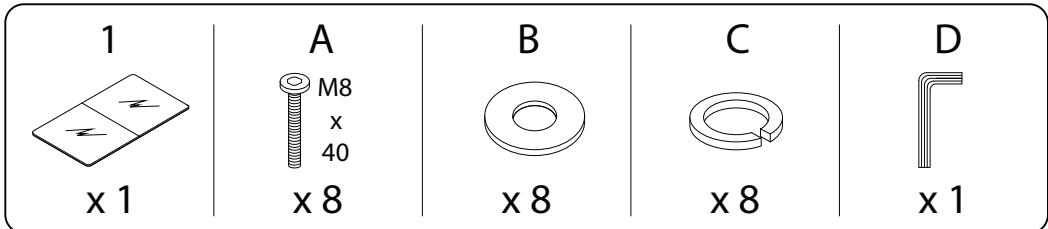


x 1

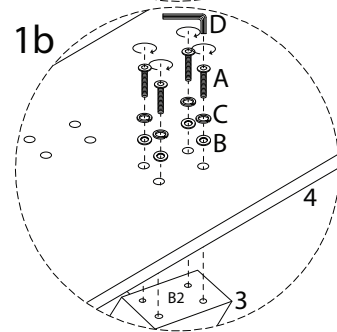
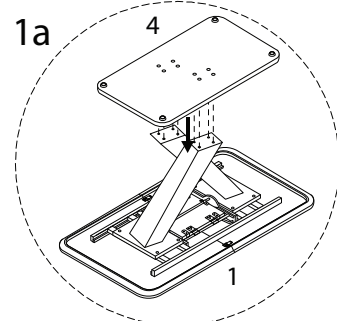
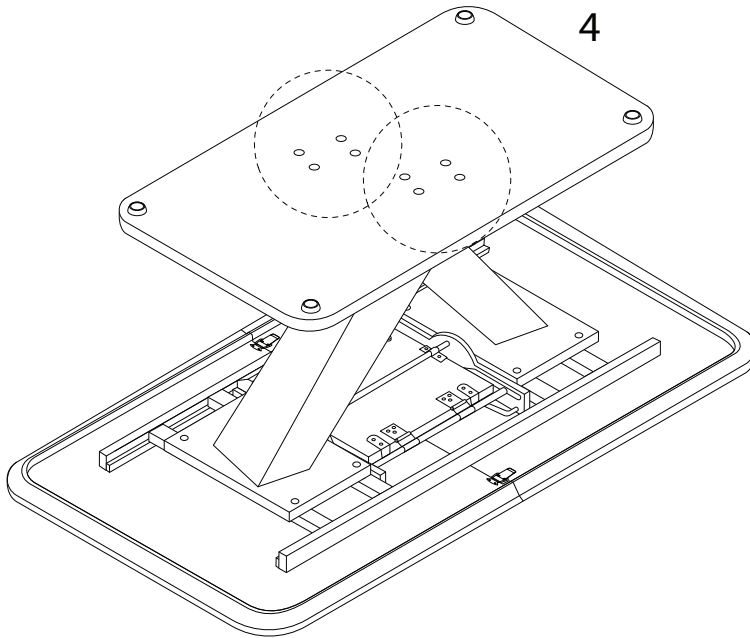
1



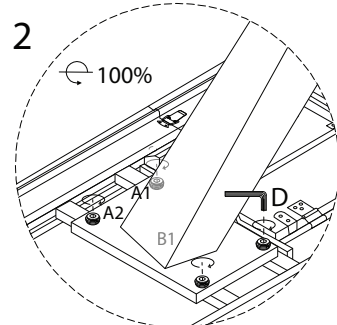
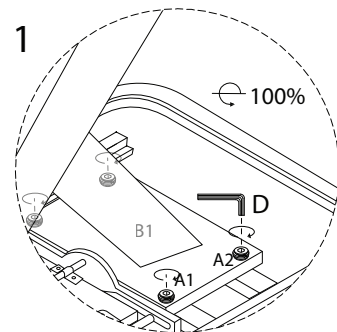
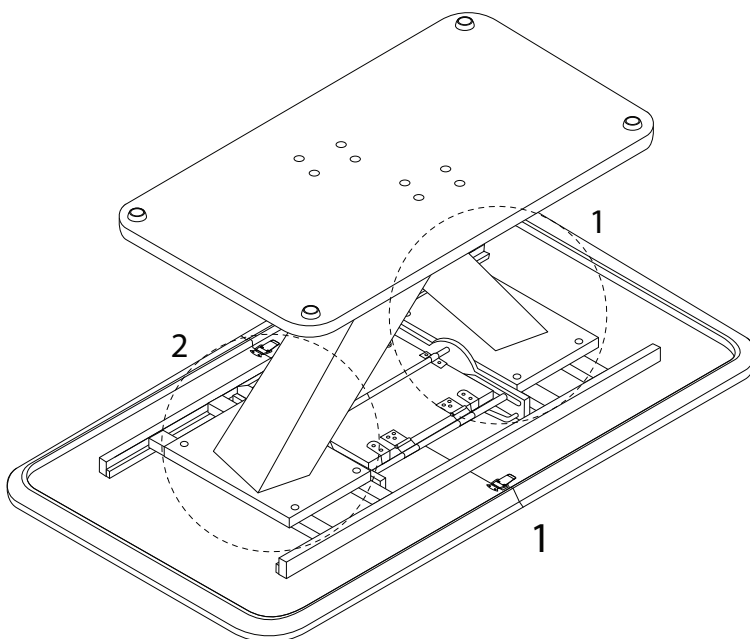
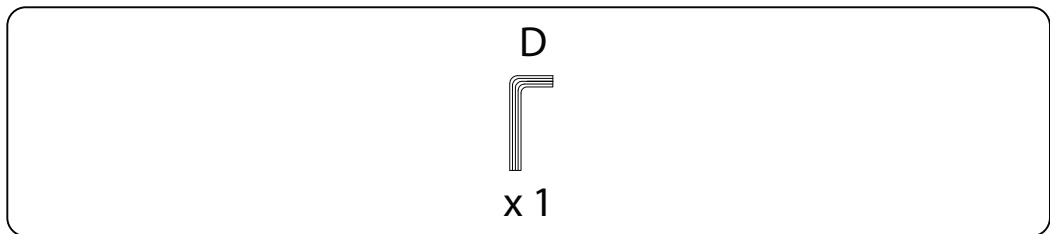
2



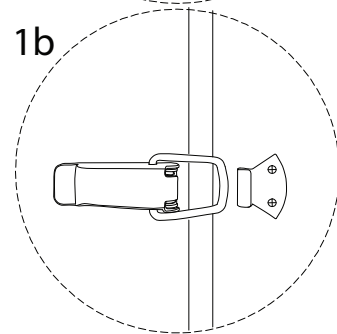
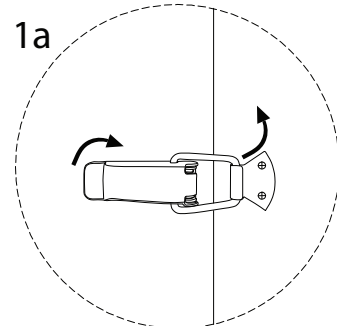
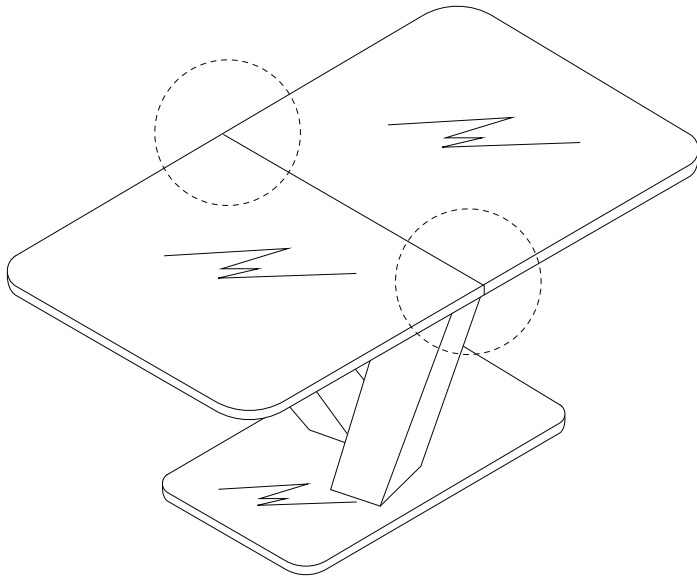
3



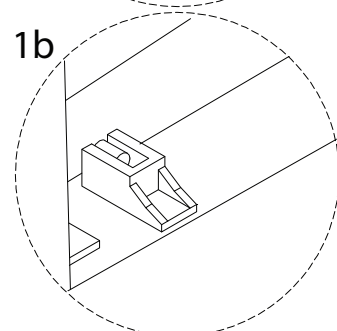
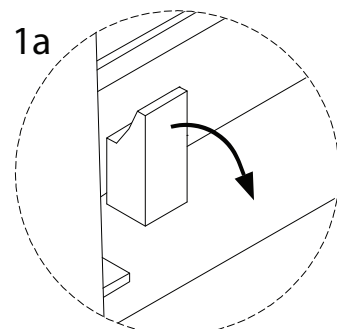
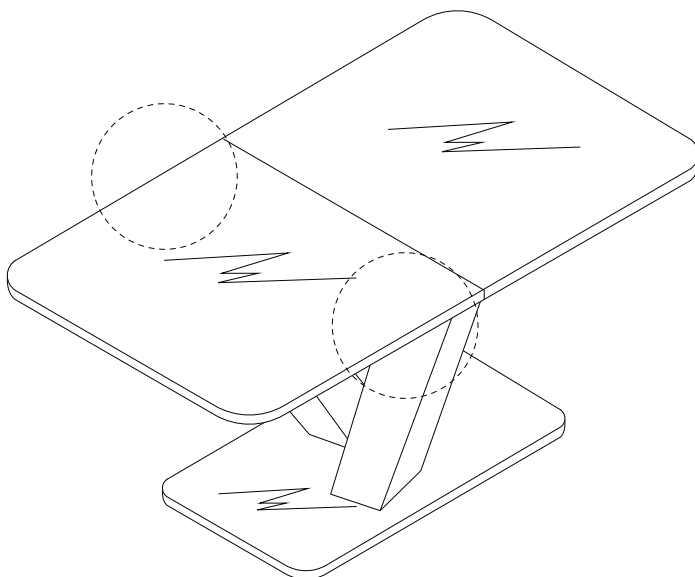
4



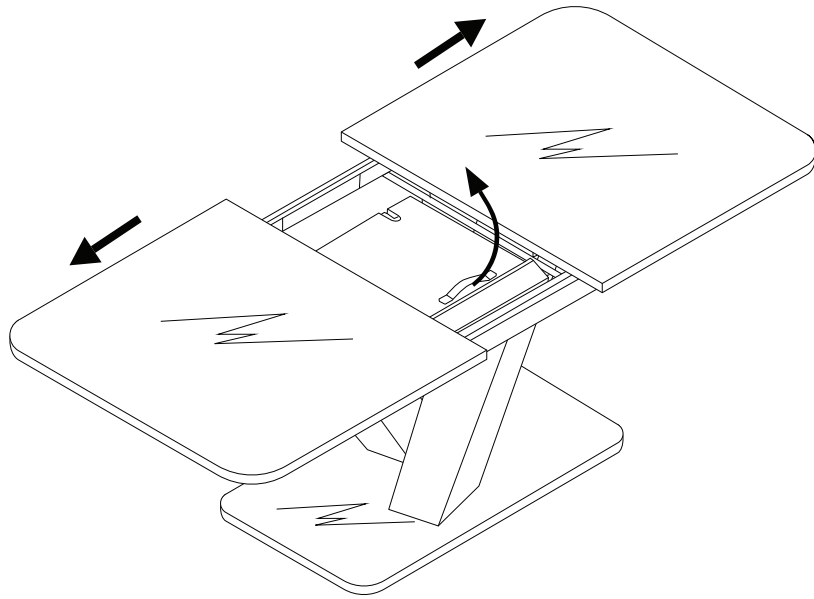
5



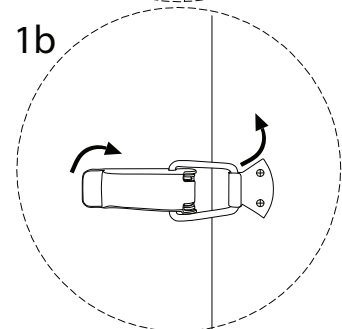
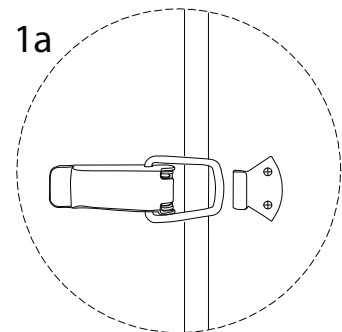
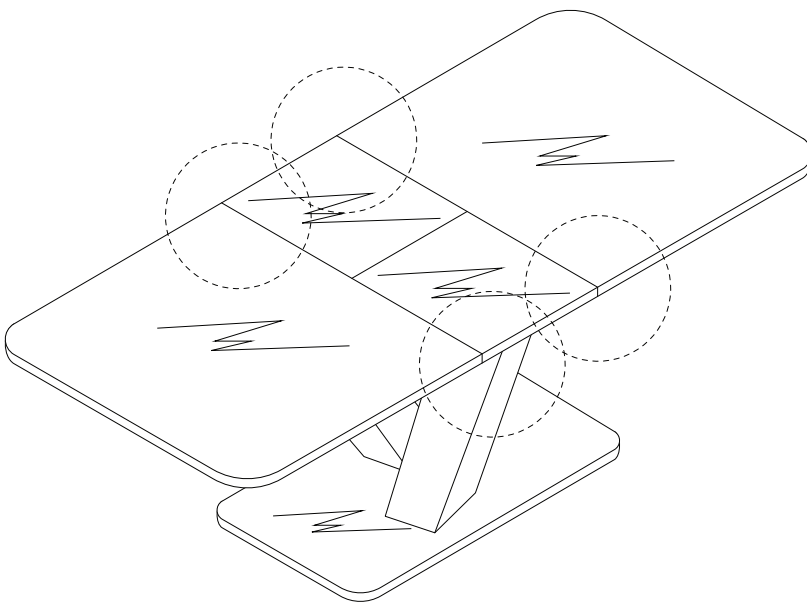
6



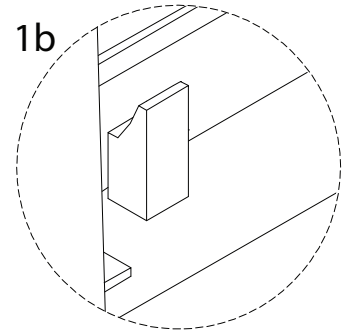
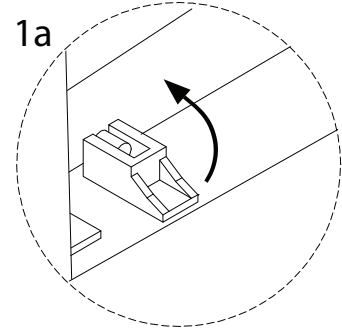
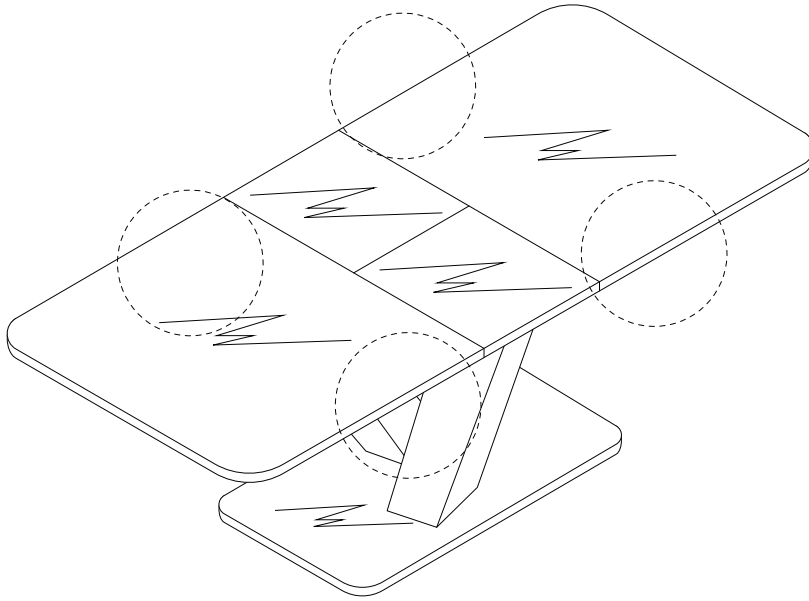
7



8



9



!

