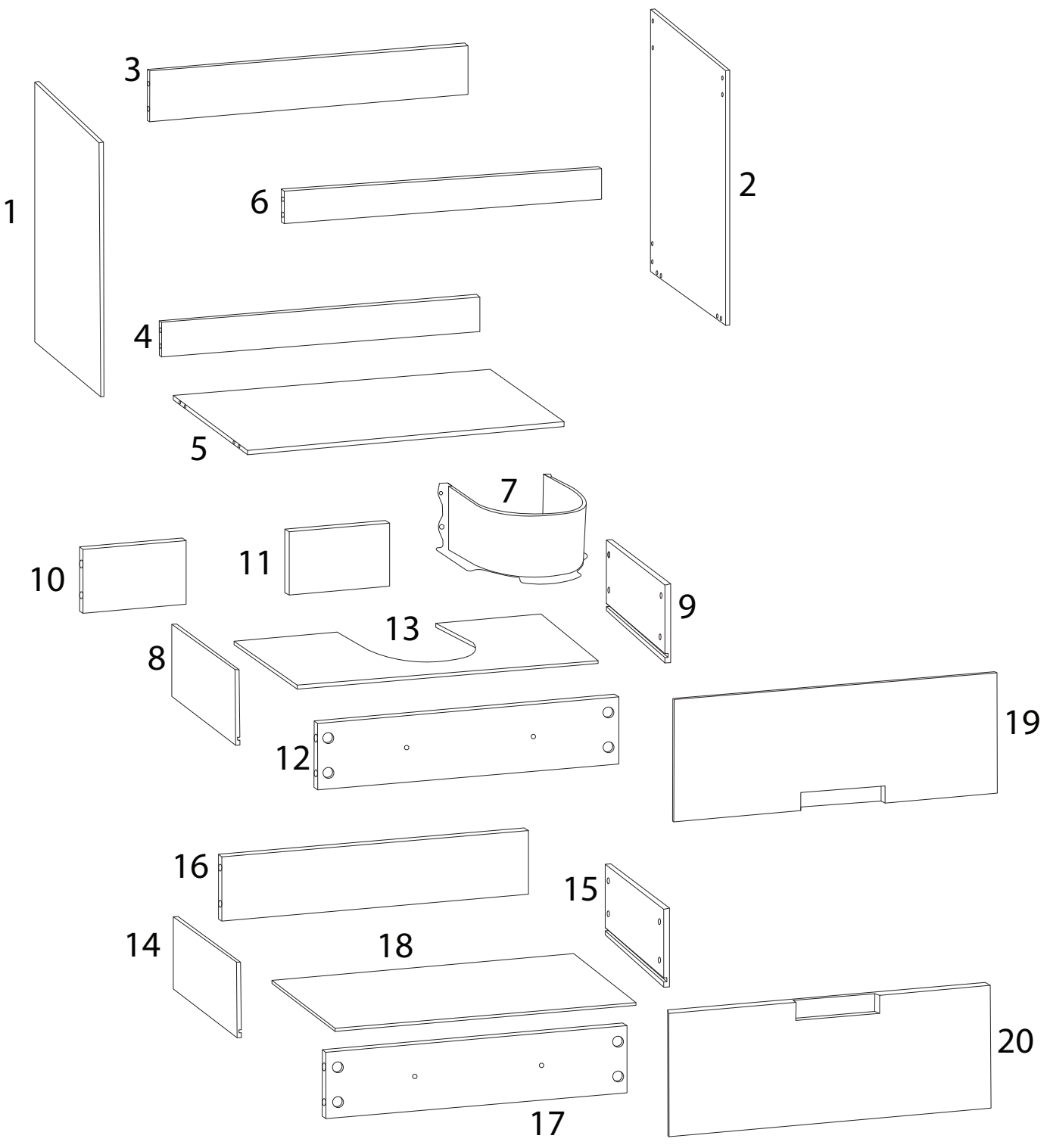
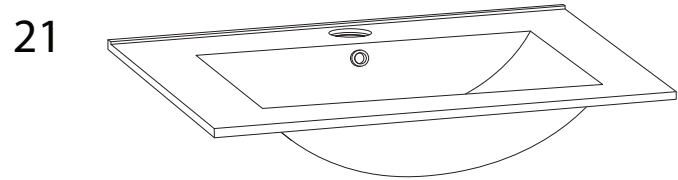

		2



1



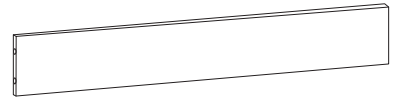
x 1

2



x 1

3



x 1

4



x 1

5



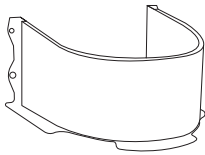
x 1

6



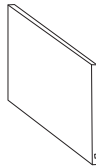
x 1

7



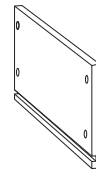
x 1

8



x 1

9



x 1

10



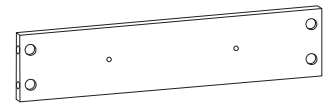
x 1

11



x 1

12



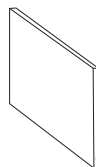
x 1

13



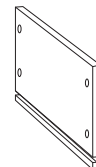
x 1

14



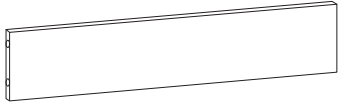
x 1

15



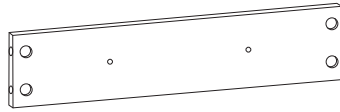
x 1

16



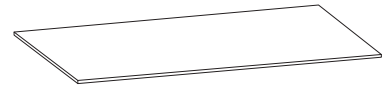
x 1

17



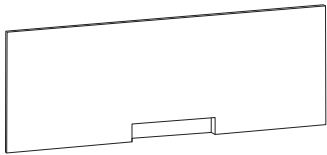
x 1

18



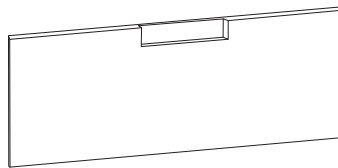
x 1

19



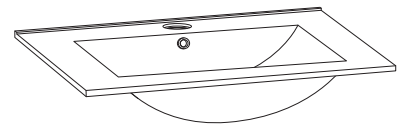
x 1

20



x 1

21



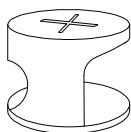
x 1

A



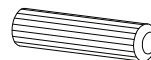
x 32

B



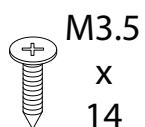
x 32

C



x 4

D



M3.5
x
14

x 48

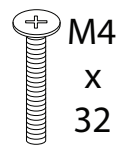
E



M4
x
24

x 4

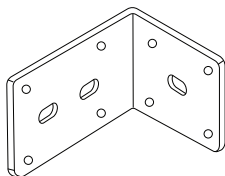
F



M4
x
32

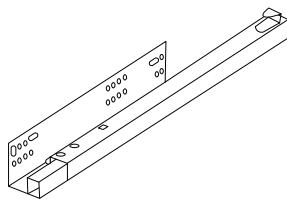
x 4

G



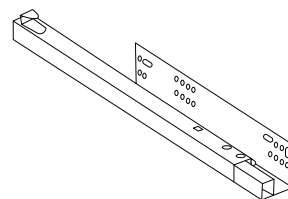
x 2

H



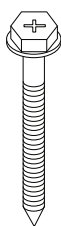
x 2

I



x 2

J



M5
x
25

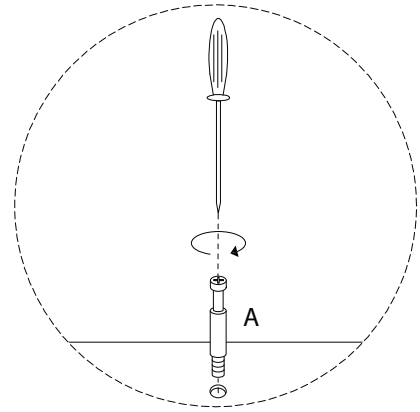
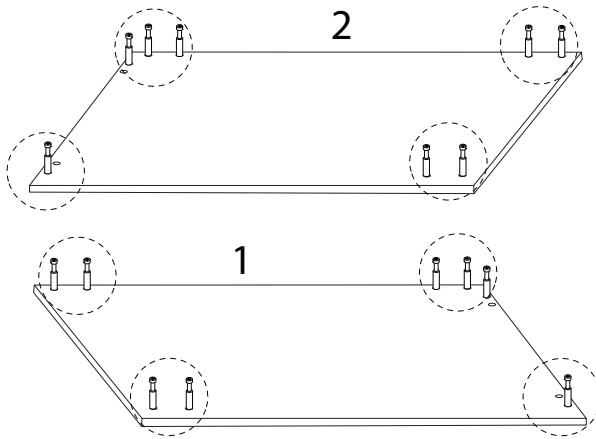
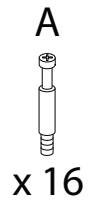
x 2

K

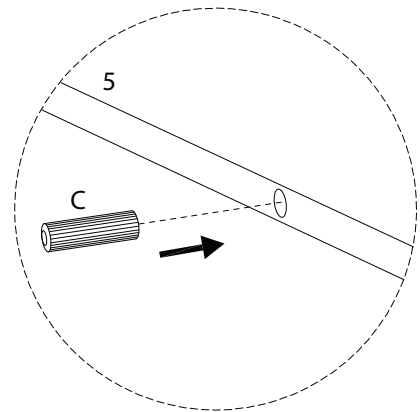
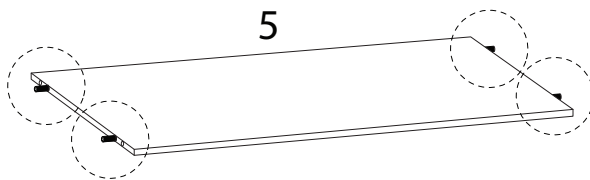
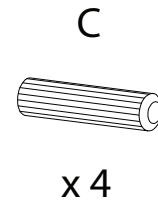
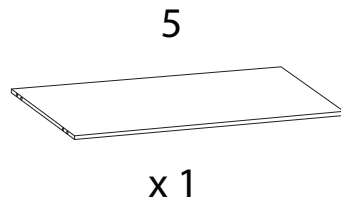


x 2

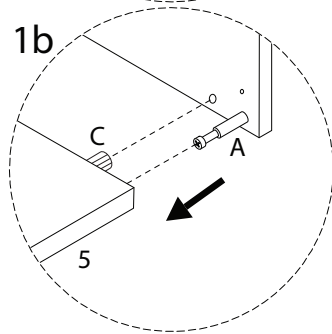
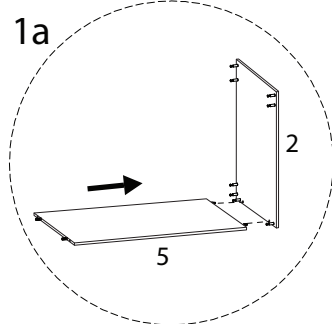
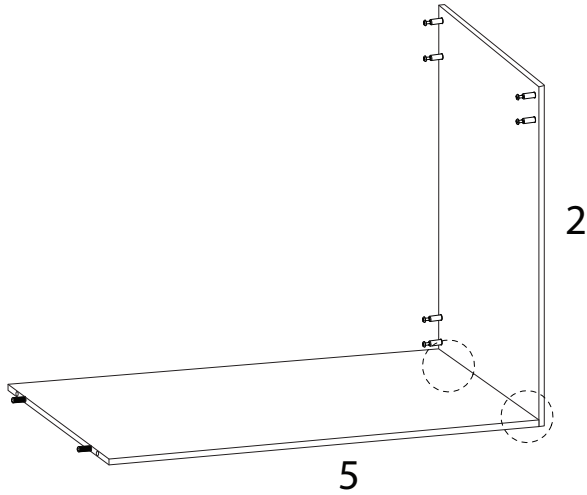
1



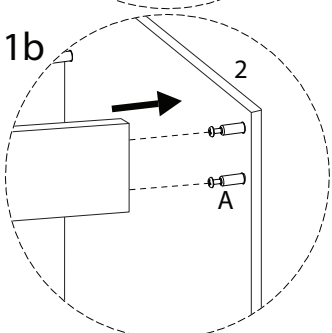
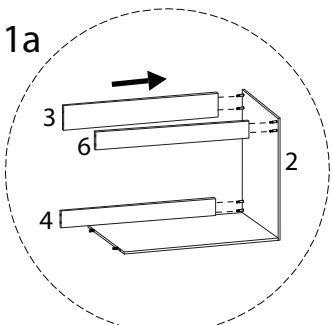
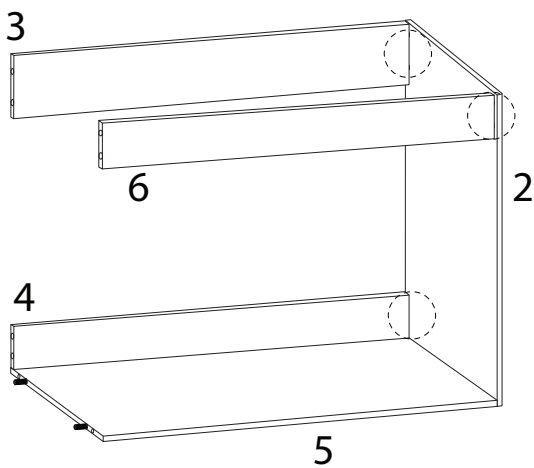
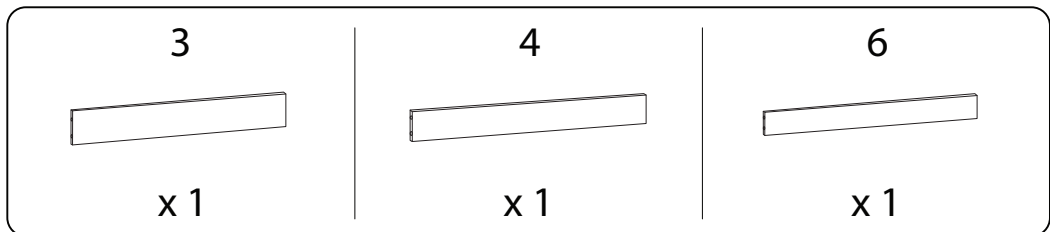
2



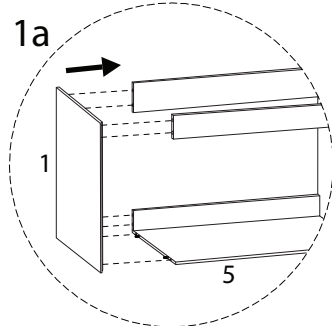
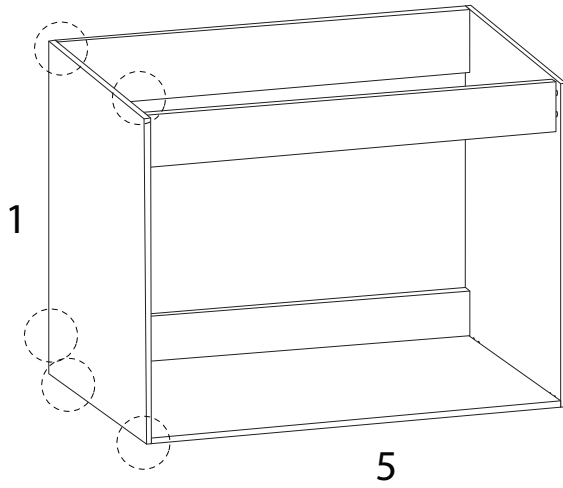
3



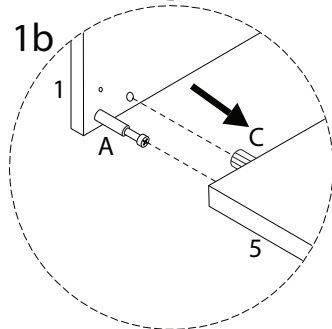
4



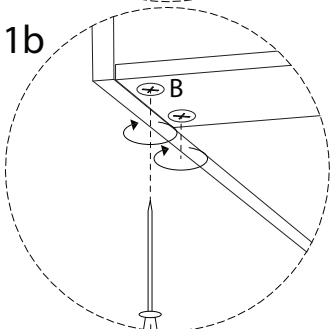
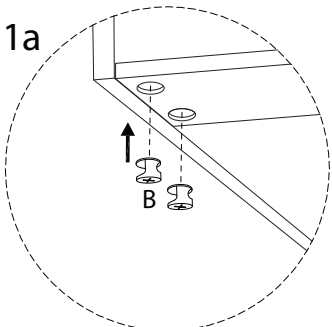
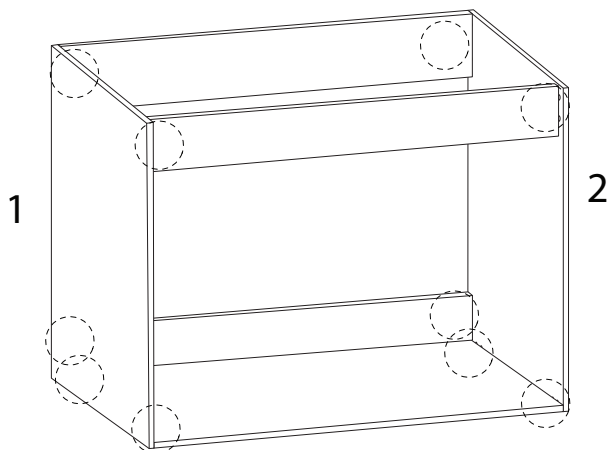
5



2

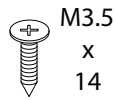


6



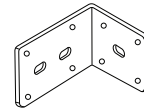
7

D

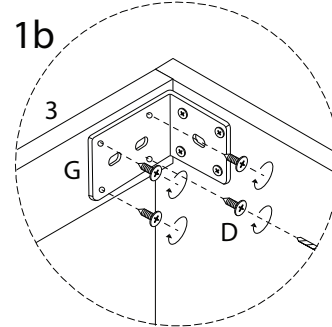
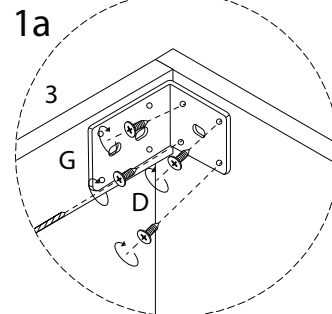
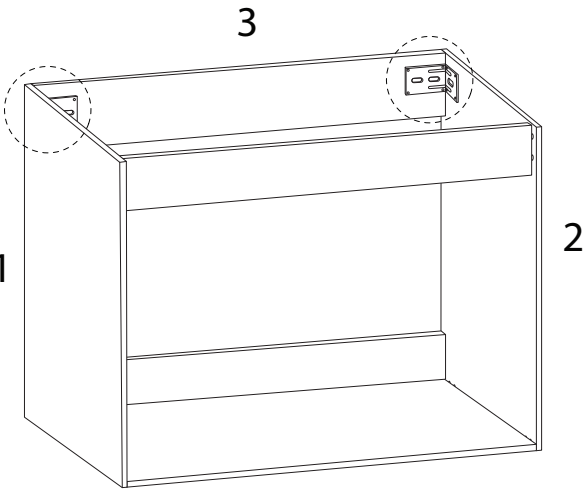


x 16

G

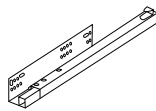


x 2



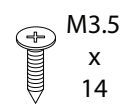
8

H

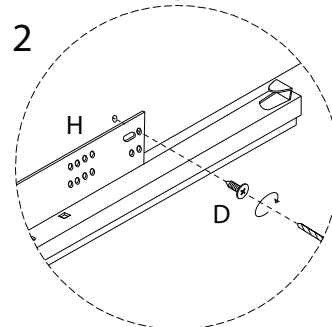
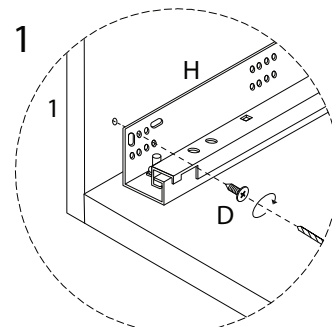
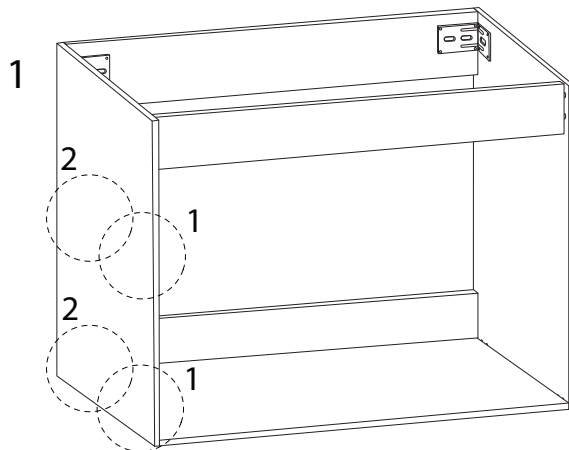


x 2

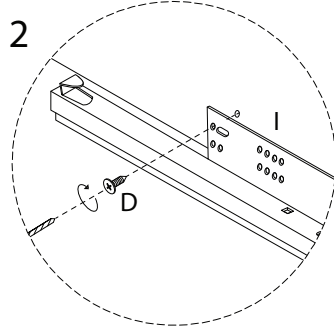
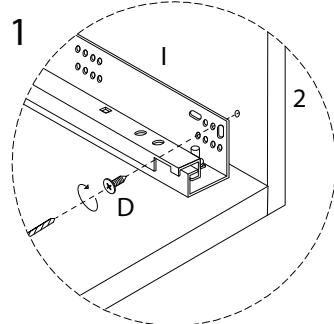
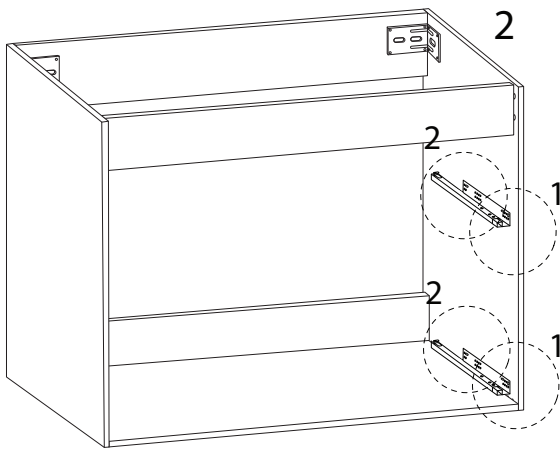
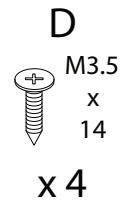
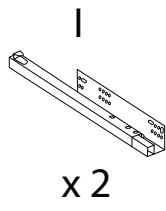
D



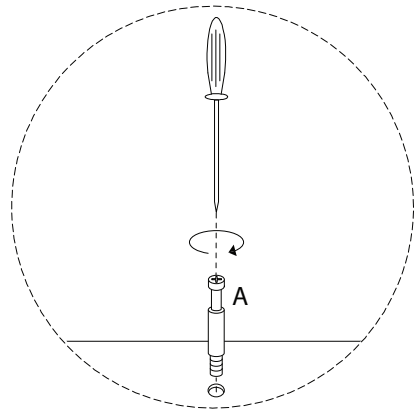
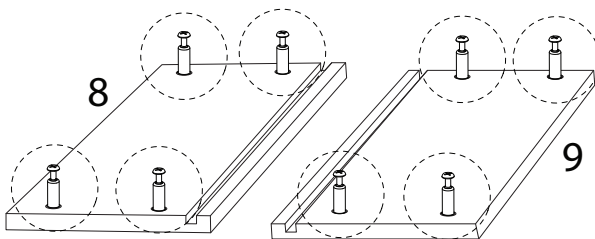
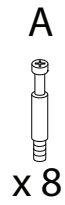
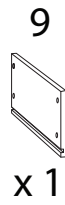
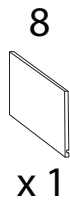
x 4



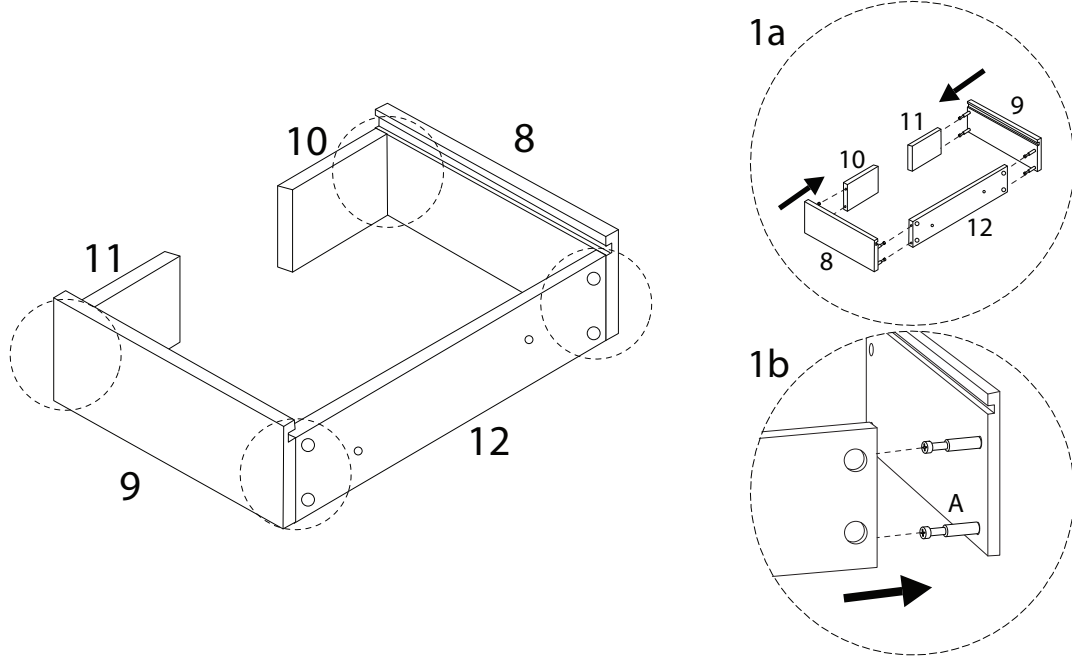
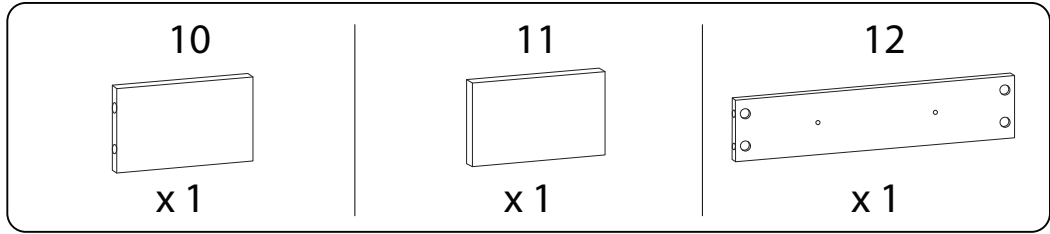
9



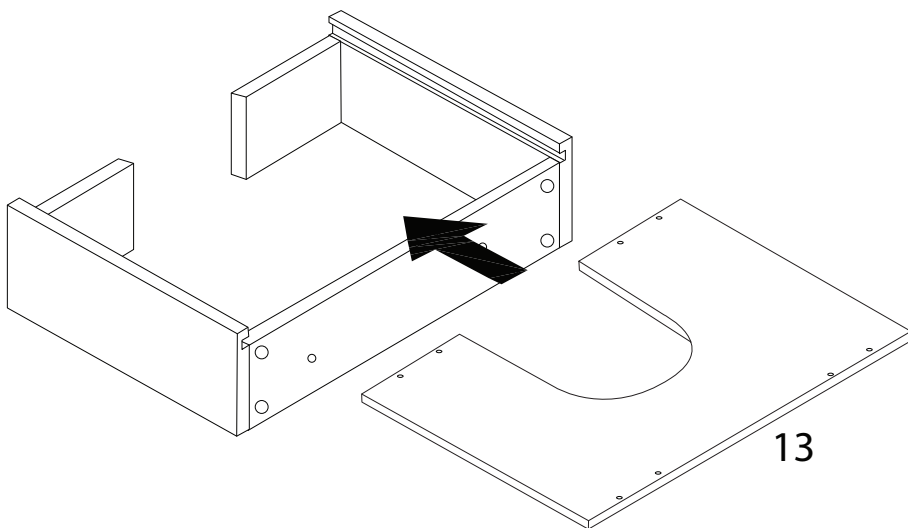
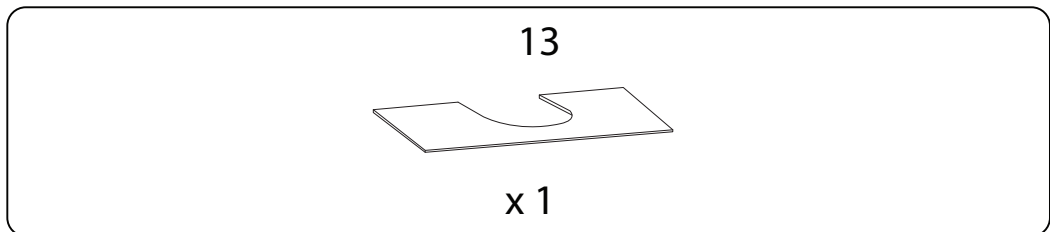
10



11

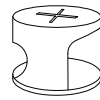


12

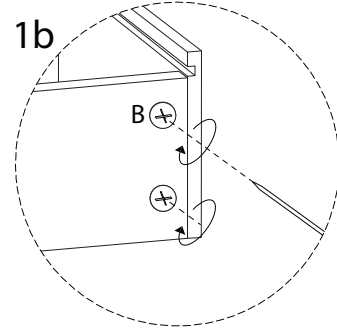
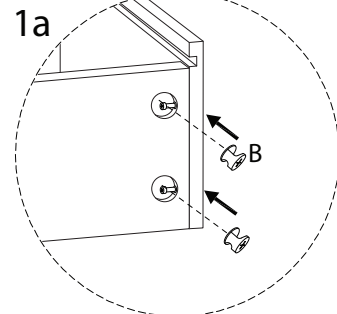
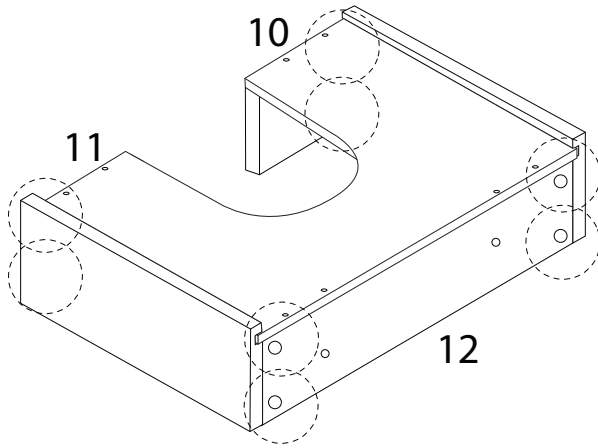


13

B



x 8



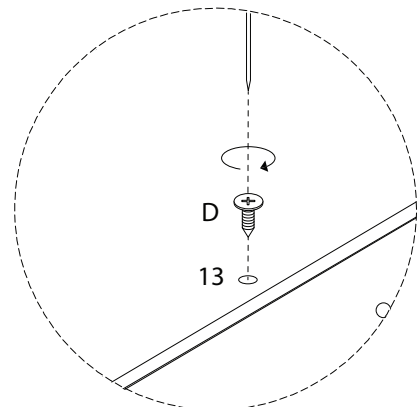
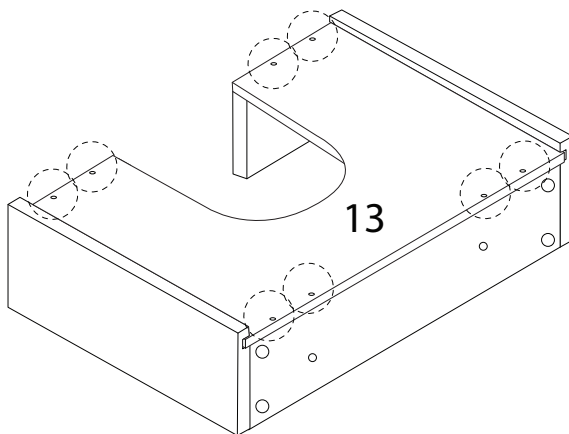
14

D

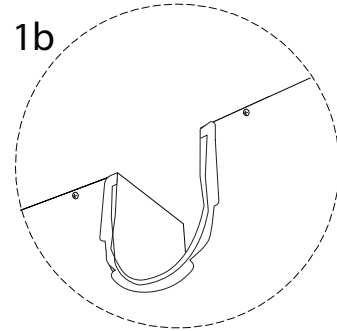
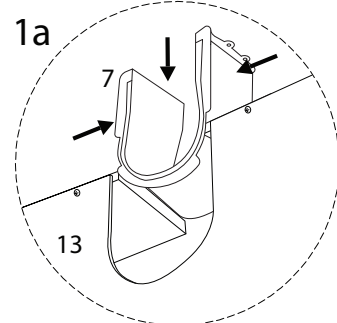
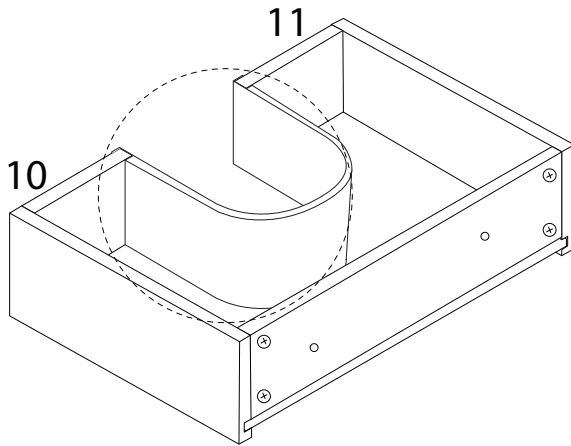
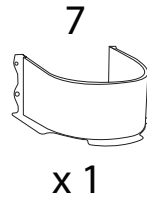


M3.5
x
14

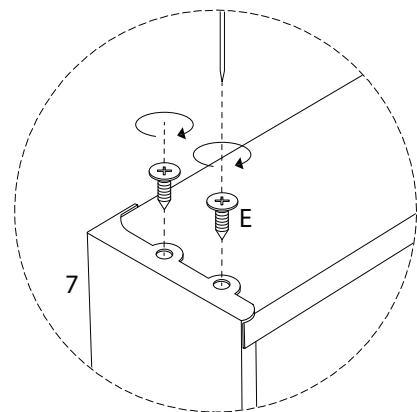
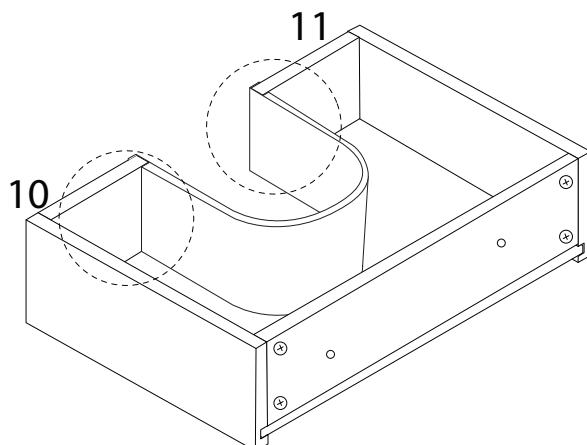
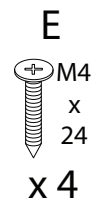
x 8



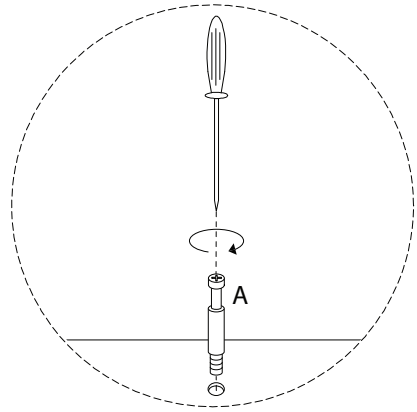
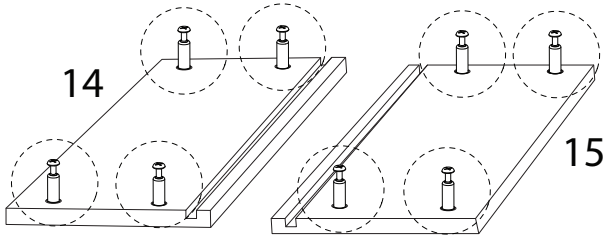
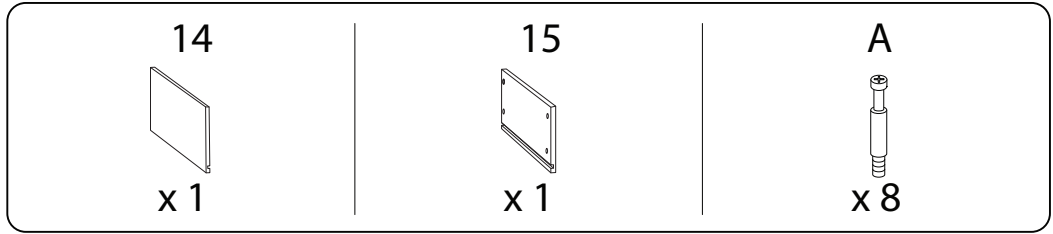
15



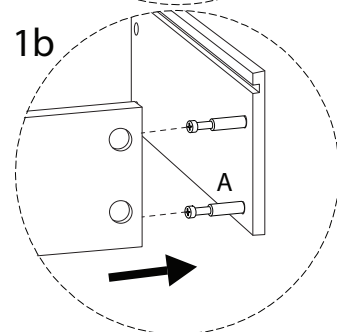
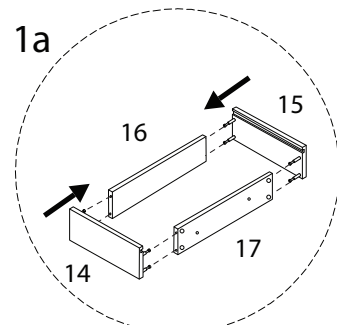
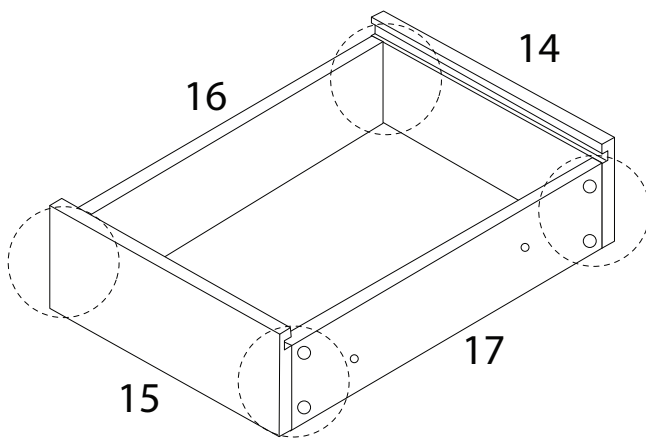
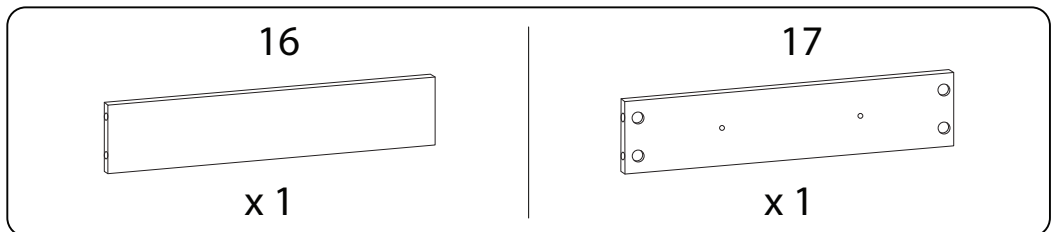
16



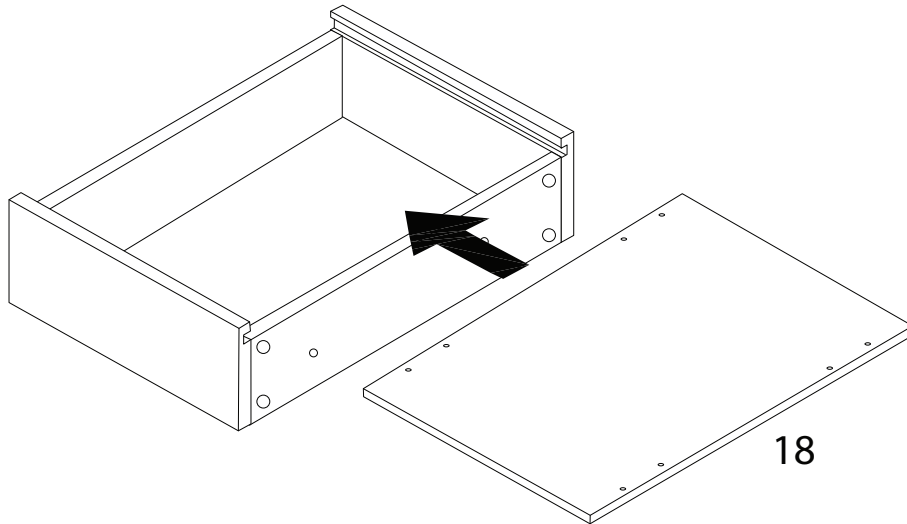
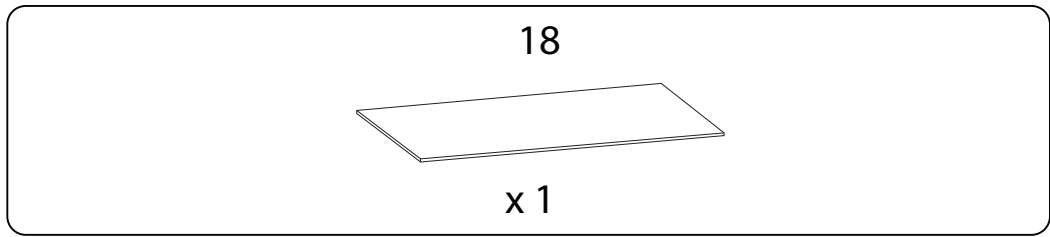
17



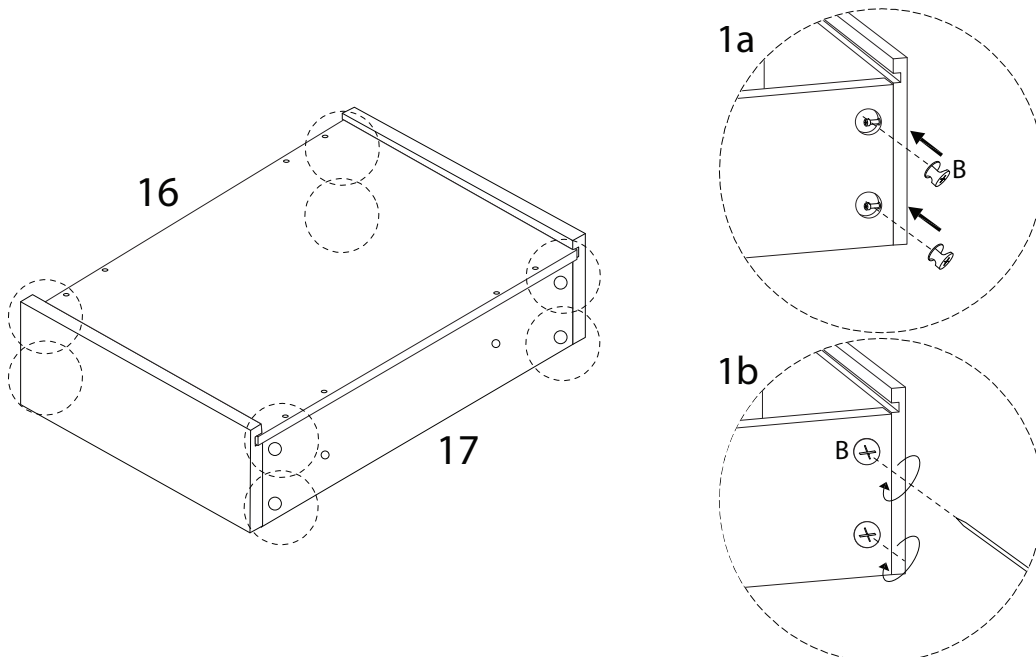
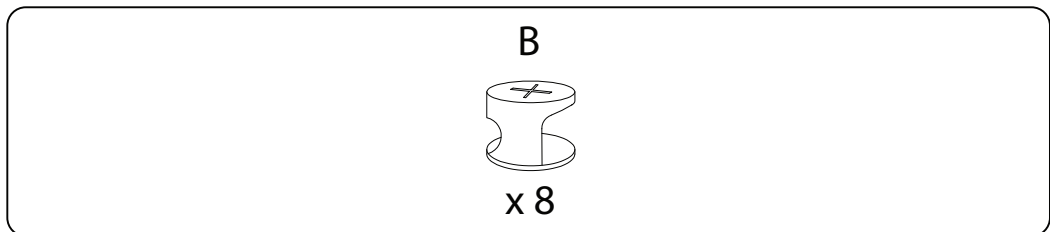
18



19

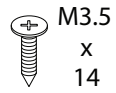


20

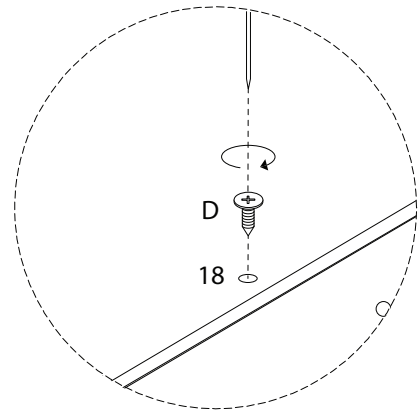
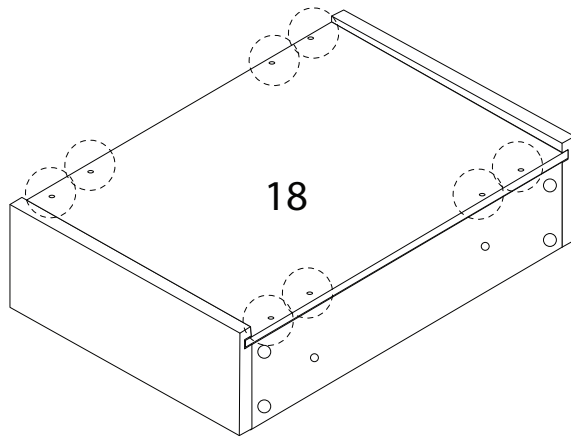


21

D



x 8



22

J

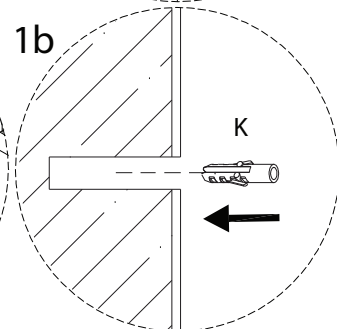
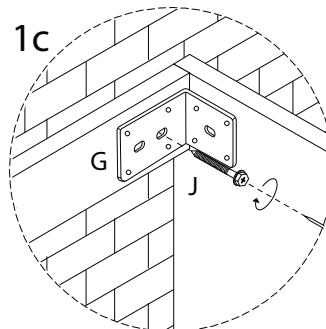
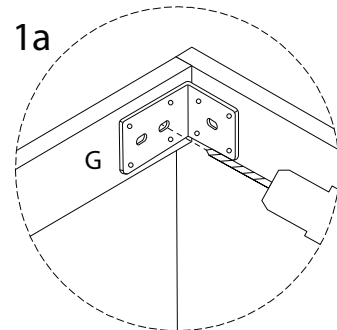
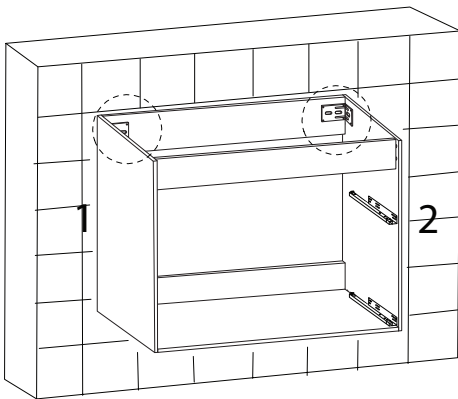


x 2

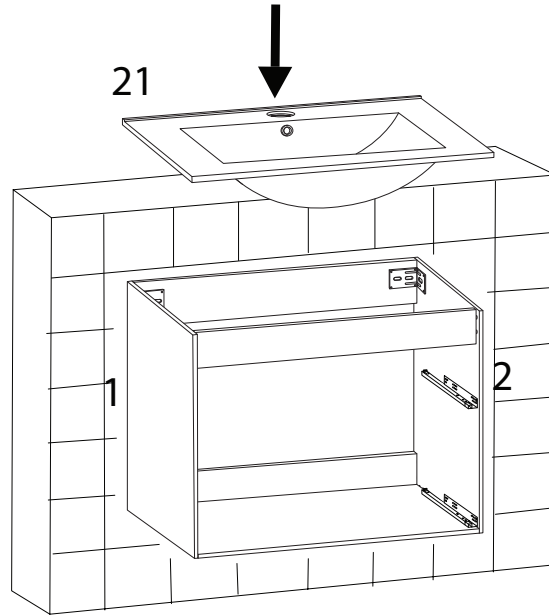
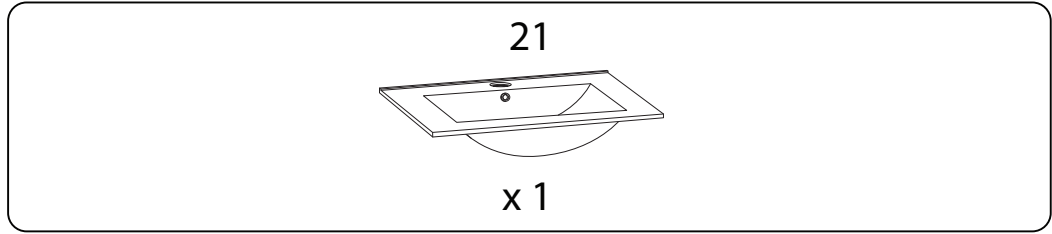
K



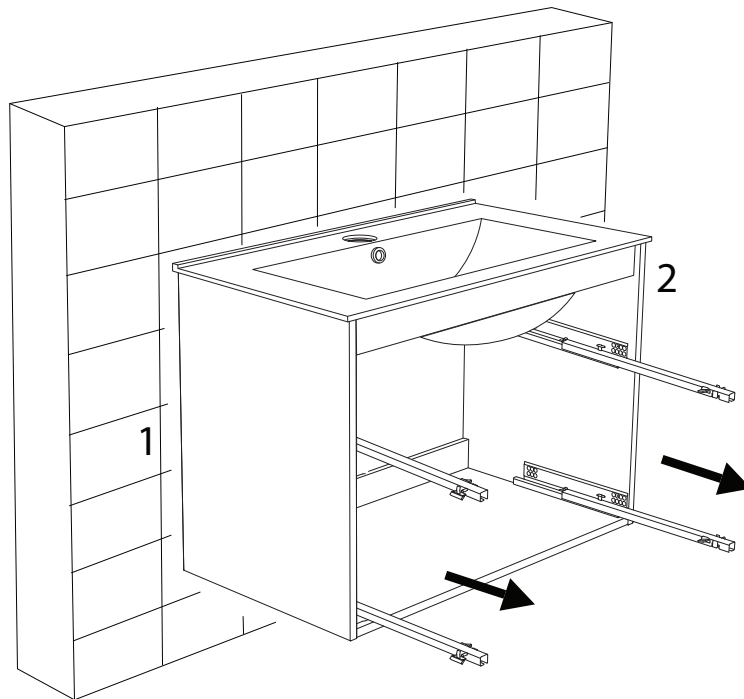
x 2



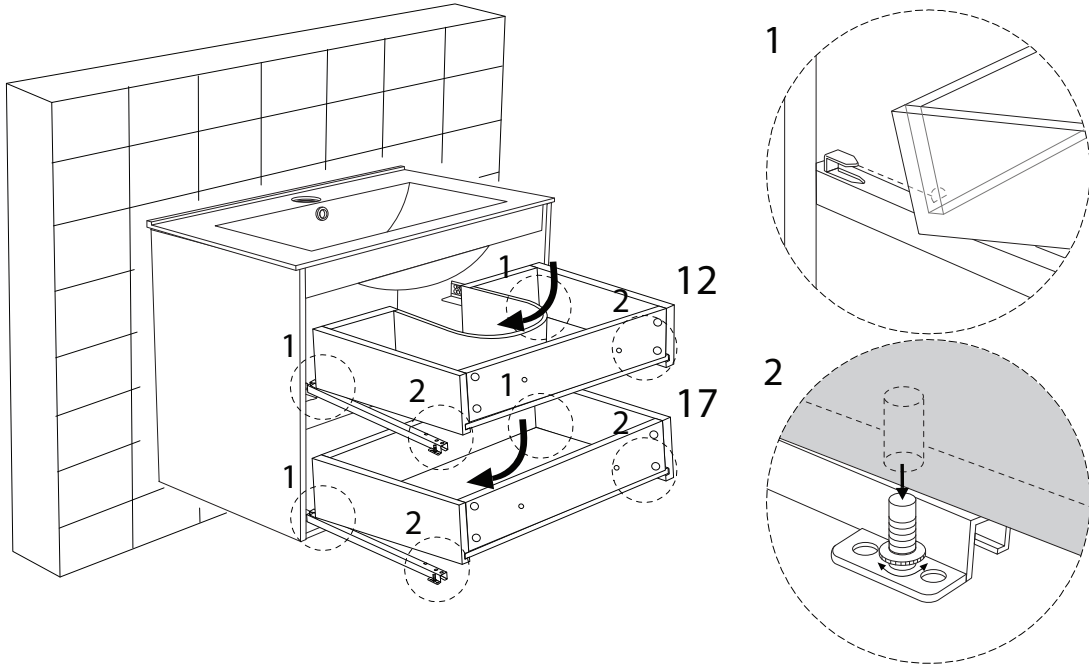
23



24



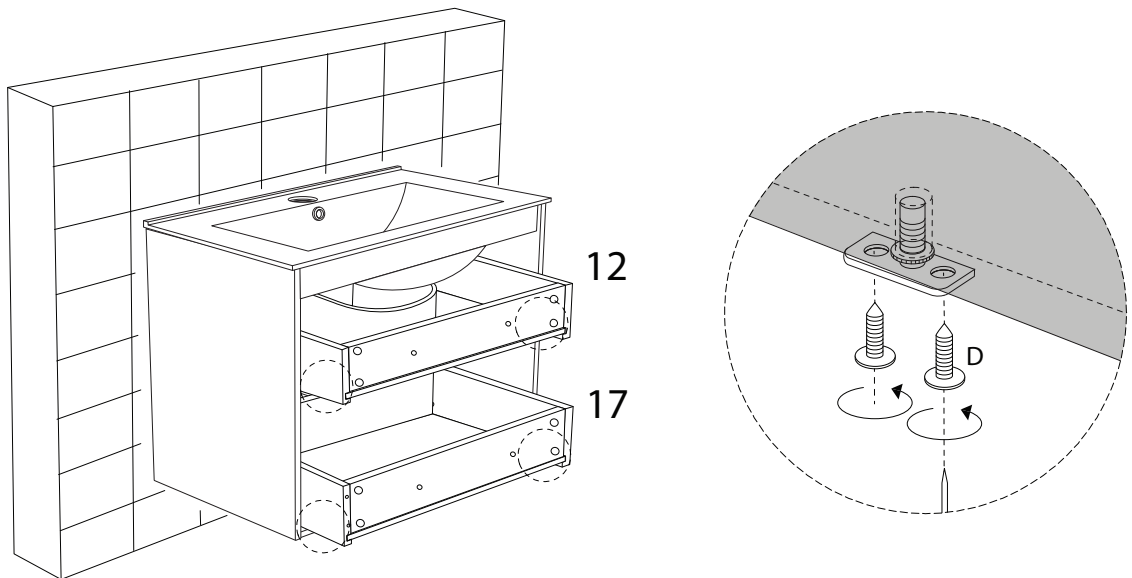
25



26

D

M3.5
x
14
x 8



27

