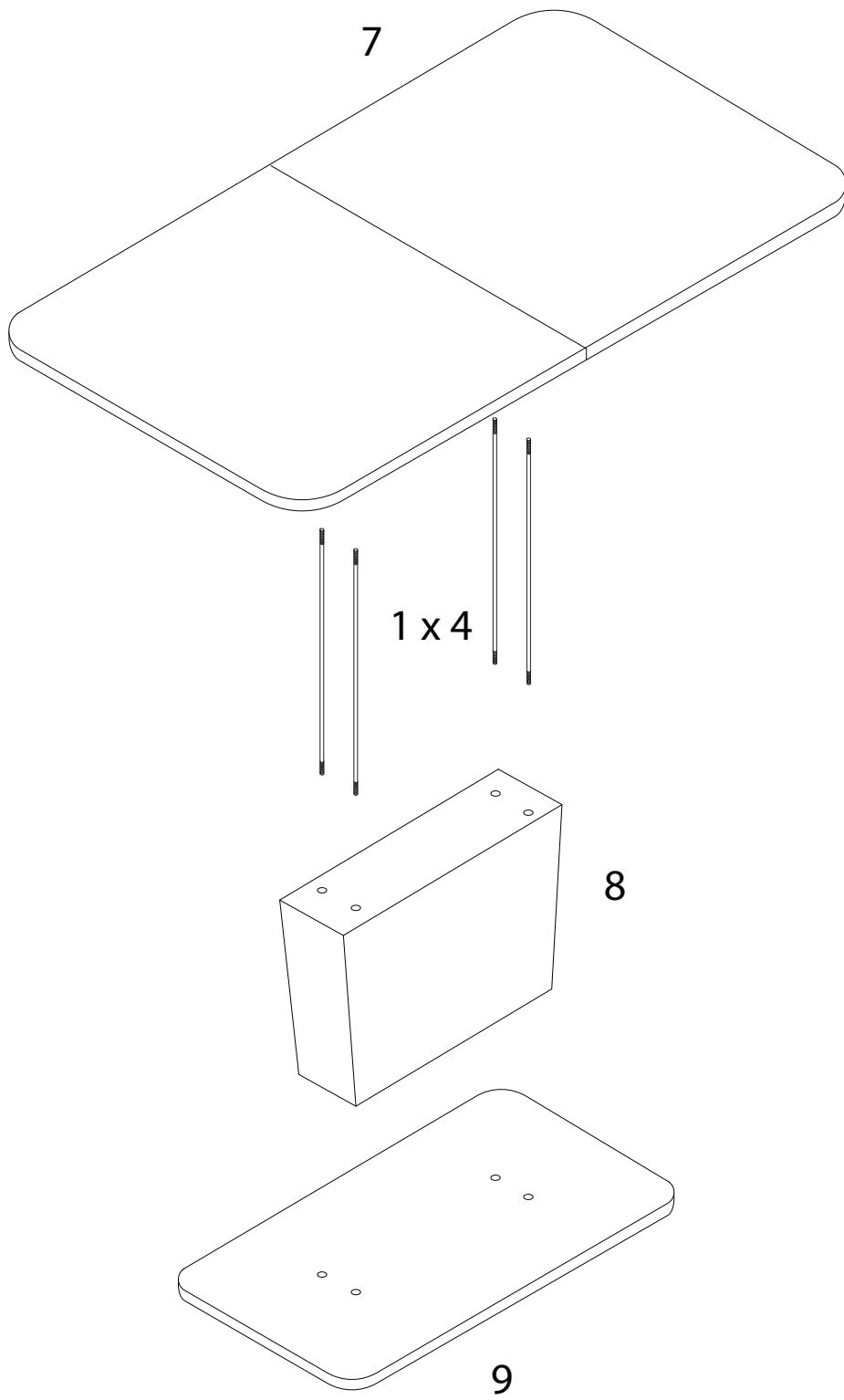

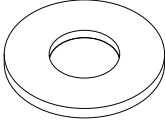
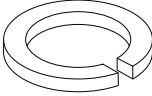
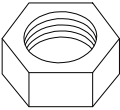
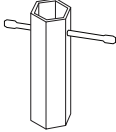
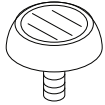
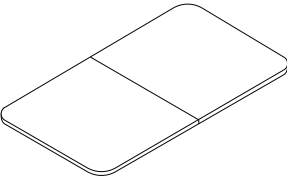
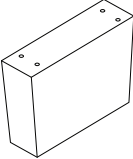
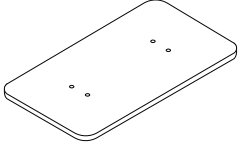


Diagram illustrating assembly instructions and safety warnings:

- Warning 1:** A warning triangle with an exclamation mark is positioned above a box containing a circular inset of a metal fastener and a crossed-out power drill icon.
- Warning 2:** A second warning triangle with an exclamation mark is positioned above a box containing a circular inset of a rectangular block on a textured surface and a crossed-out icon of a block being lifted.
- Time:** A clock icon is shown next to the text "60'".
- Personnel:** A stick figure icon is shown next to the number "2".

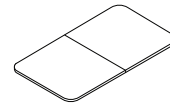


<p>1</p>  <p>M8 x 640</p> <p>x 4</p>	<p>2</p>  <p>x 4</p>	<p>3</p>  <p>x 4</p>
<p>4</p>  <p>x 4</p>	<p>5</p>  <p>x 1</p>	<p>6</p>  <p>x 6</p>
<p>7</p>  <p>x 1</p>	<p>8</p>  <p>x 1</p>	<p>9</p>  <p>x 1</p>

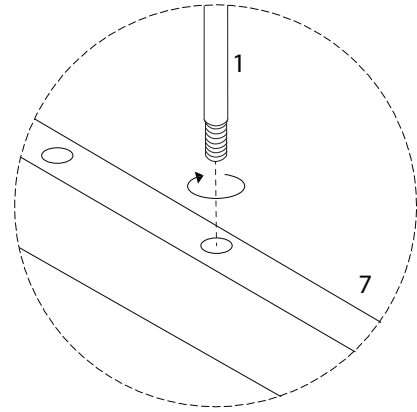
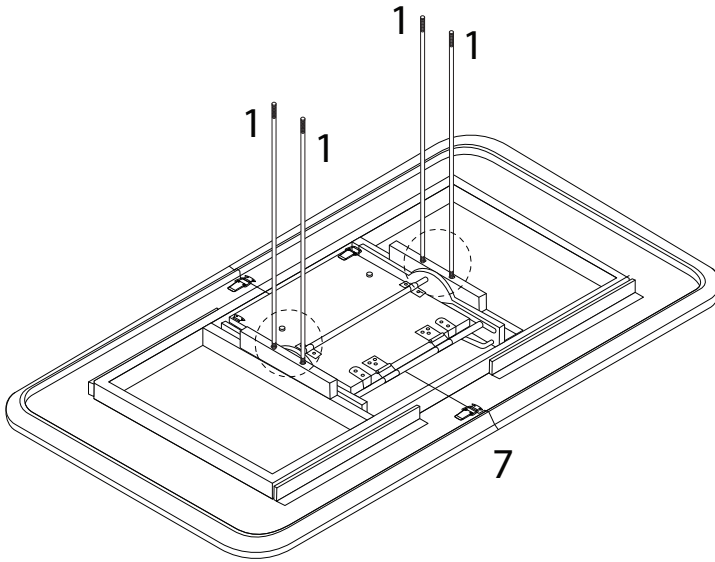
1

1
M8
x
640
x 4

7

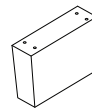


x 1

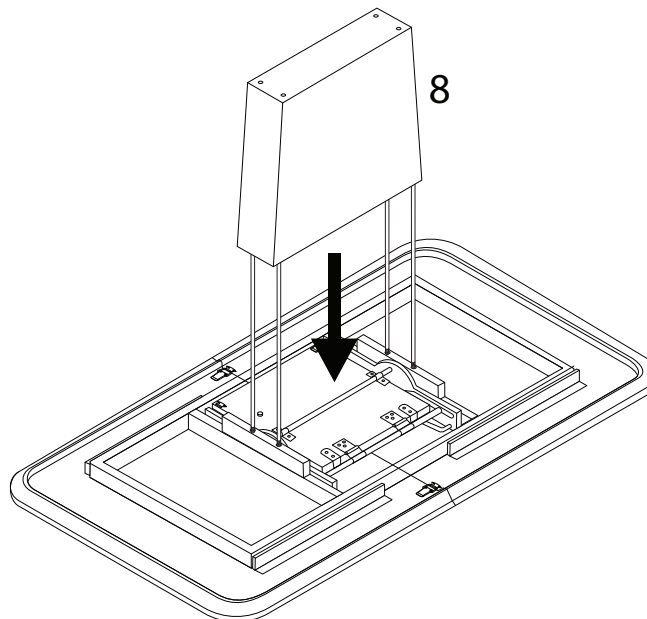


2

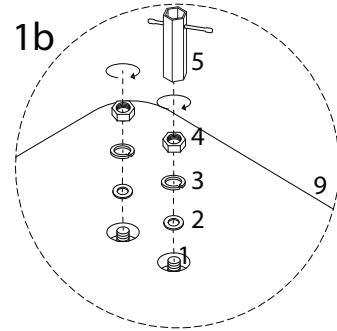
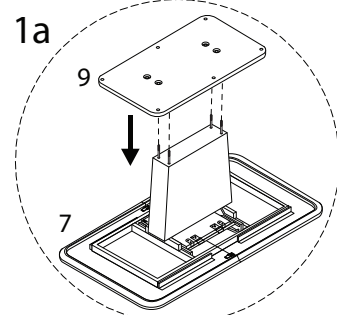
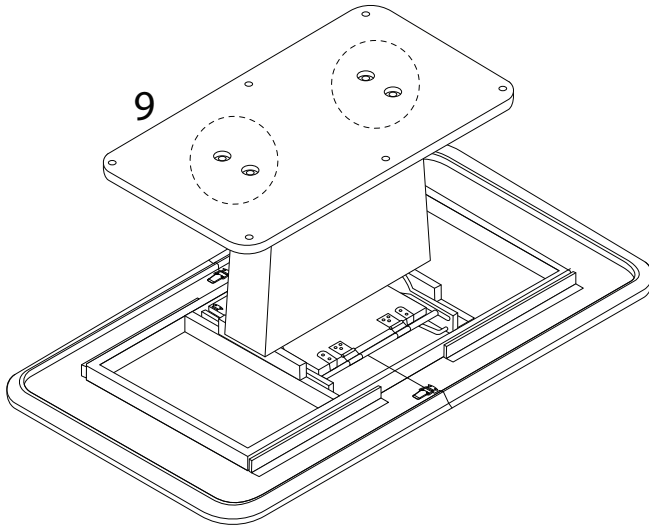
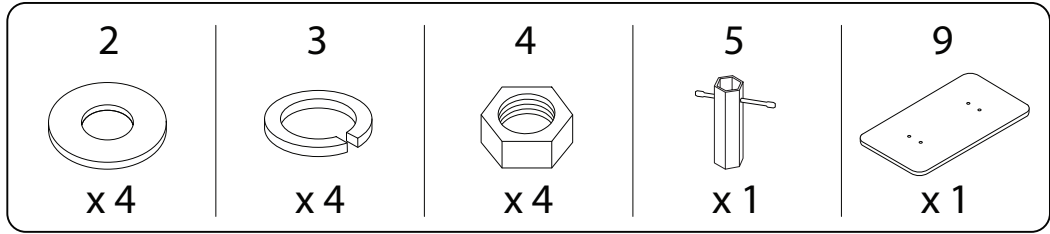
8



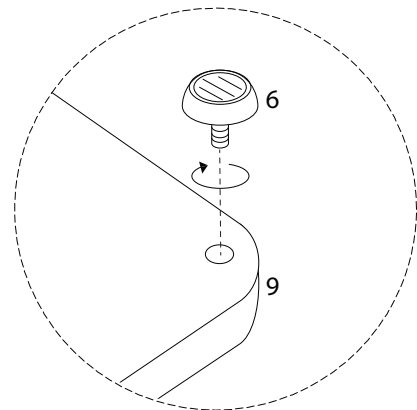
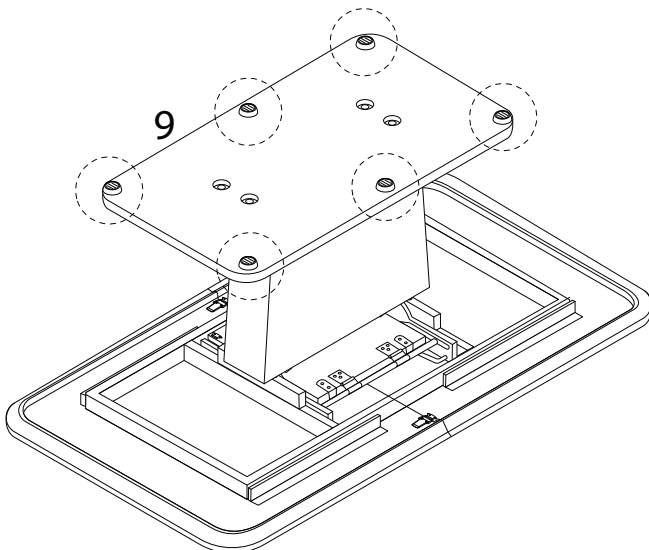
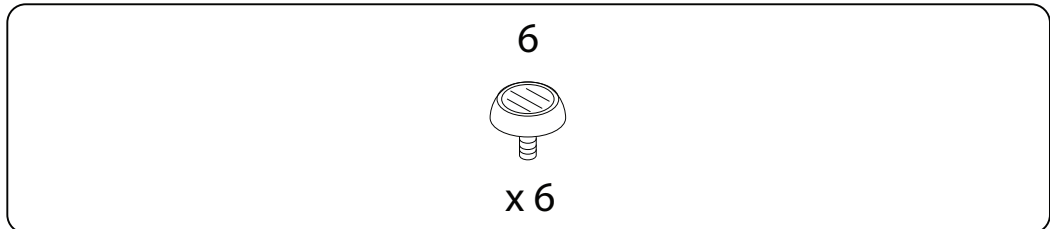
x 1



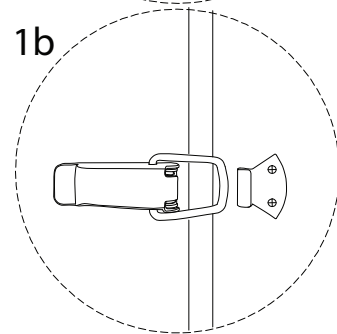
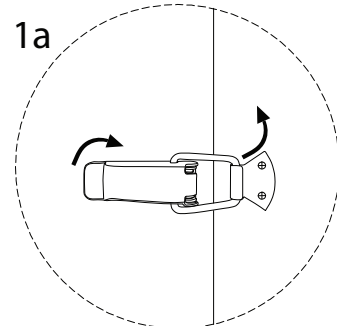
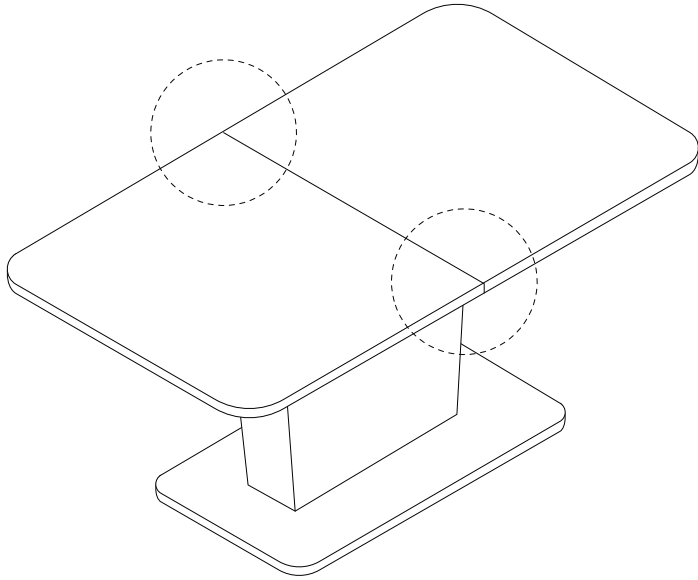
3



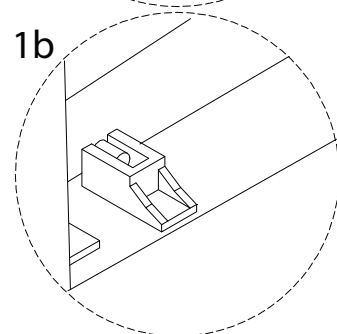
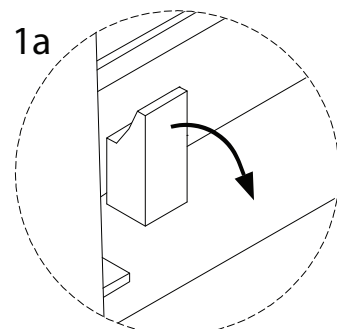
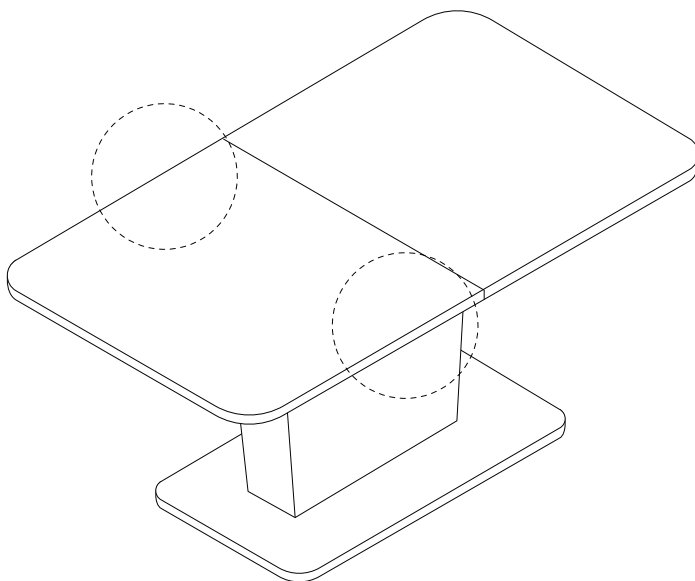
4



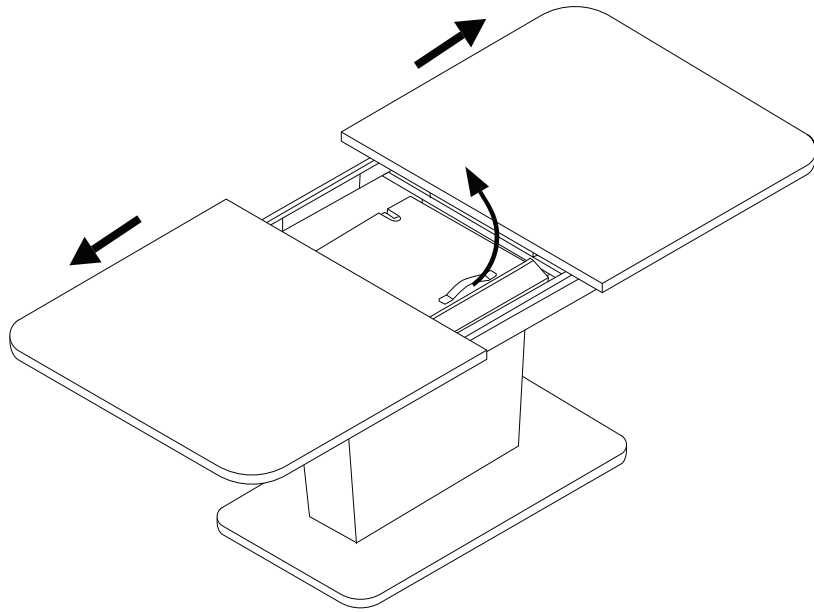
5



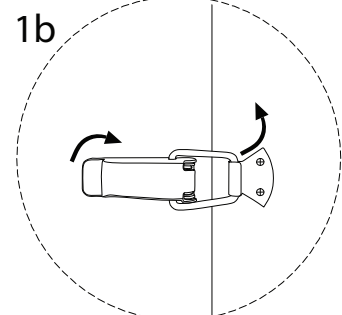
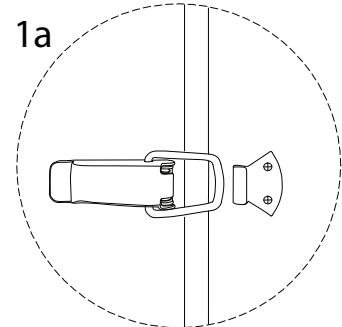
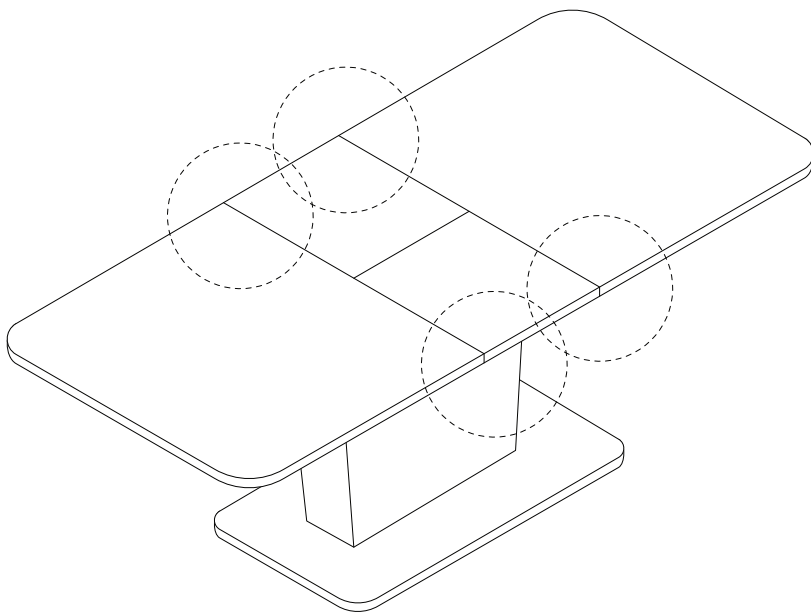
6



7



8



9

