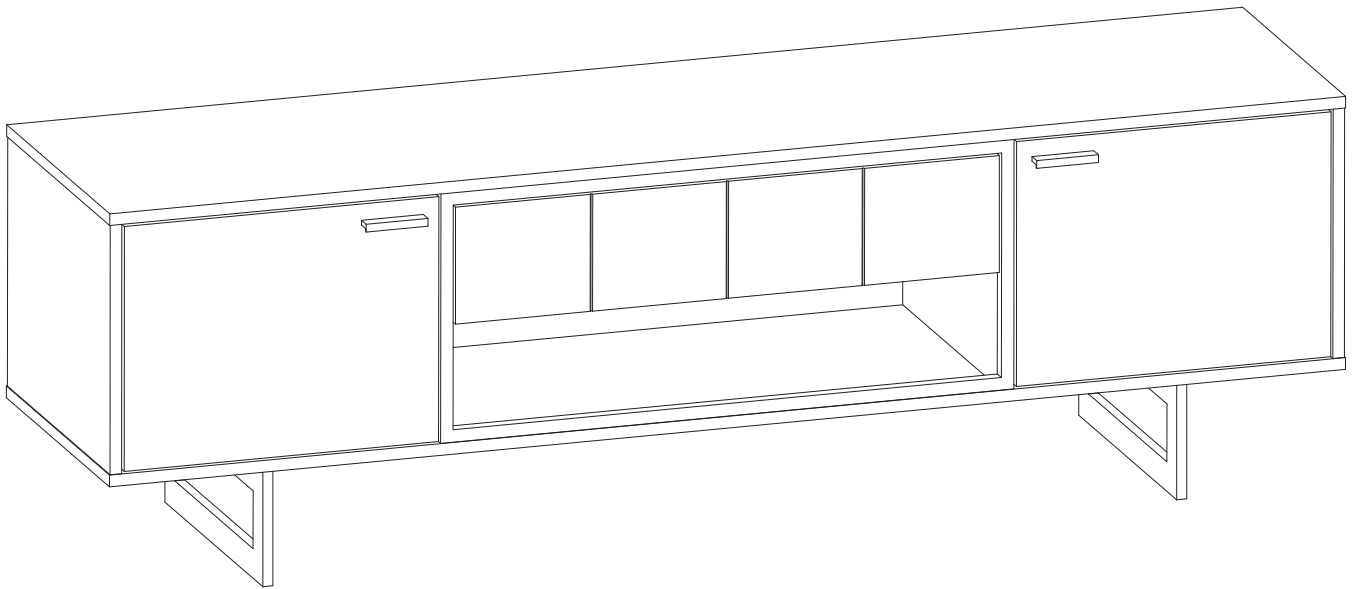
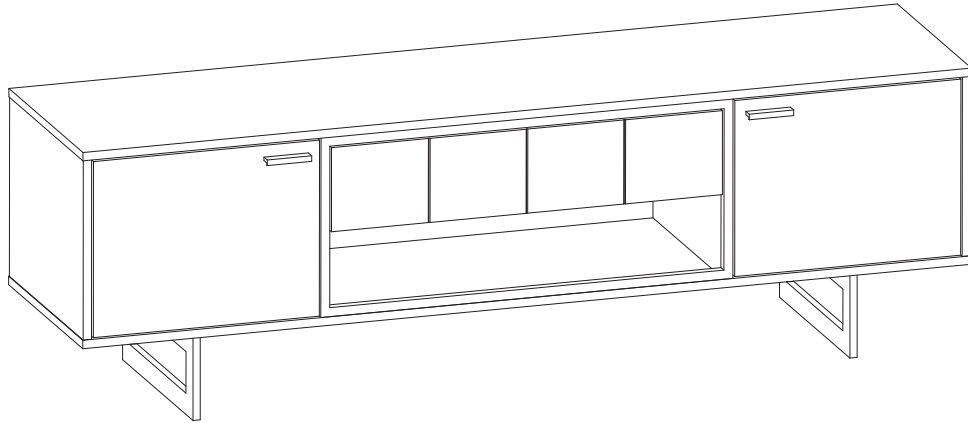
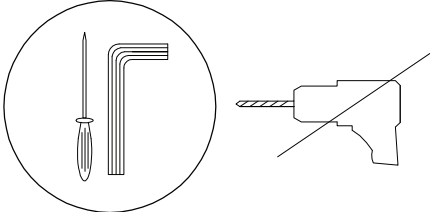

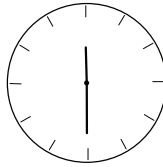
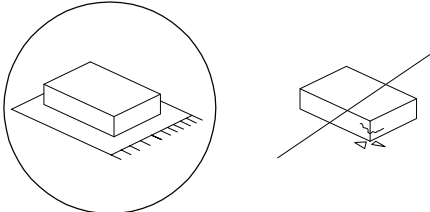


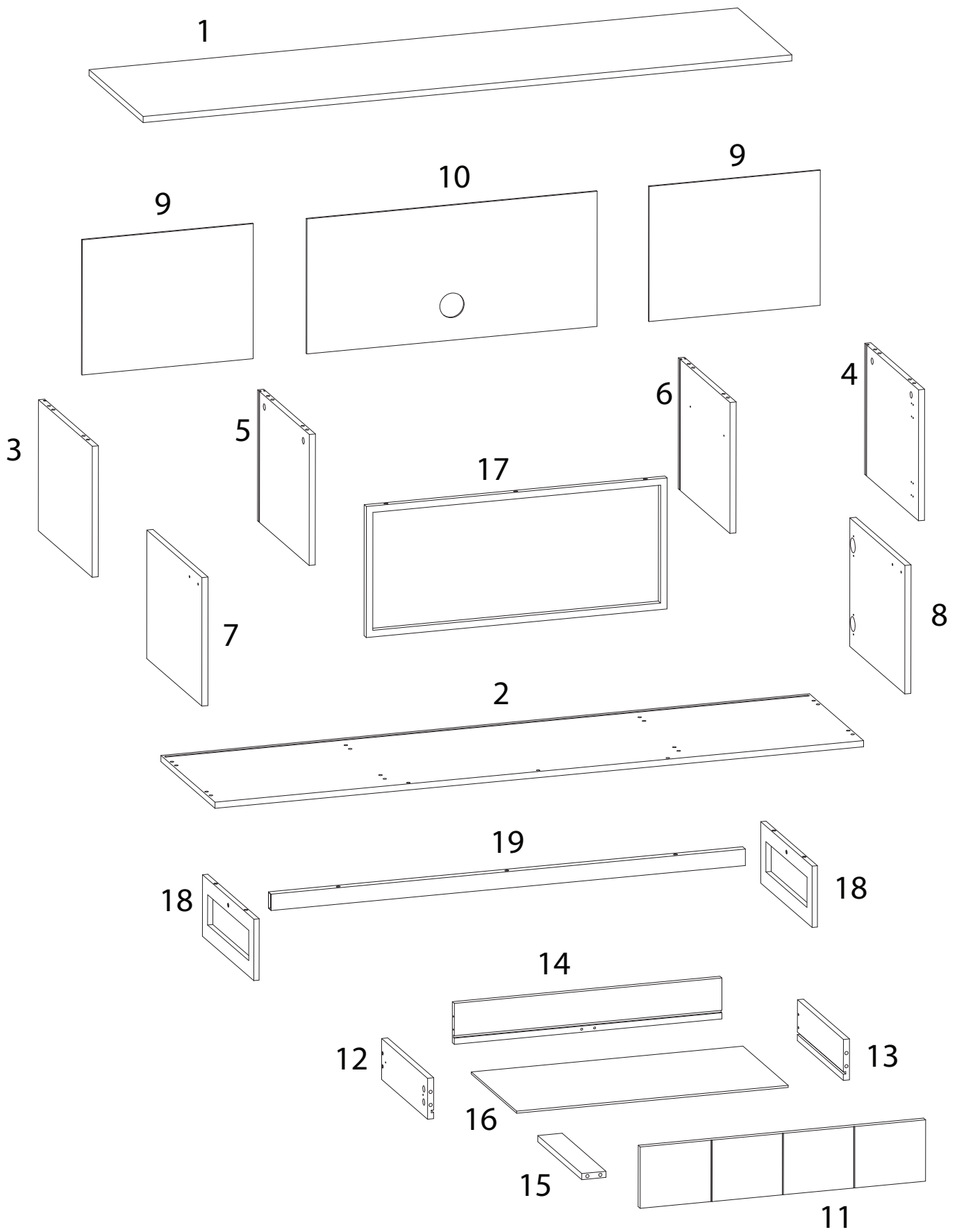


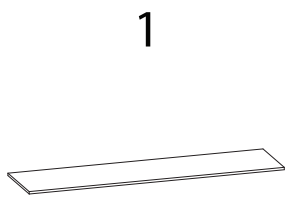
BOISO



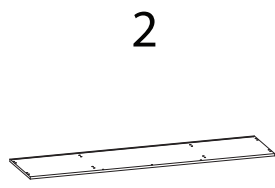


		
		
		2

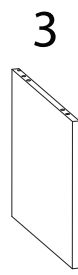




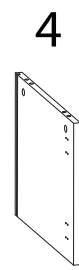
x 1



x 1

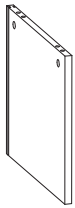


x 1



x 1

5



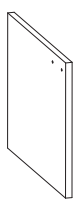
x 1

6



x 1

7



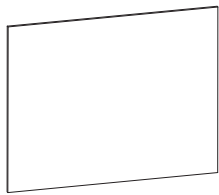
x 1

8



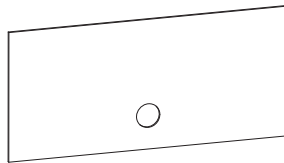
x 1

9



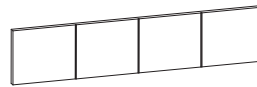
x 2

10



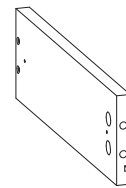
x 1

11



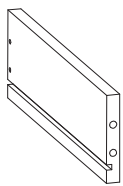
x 1

12



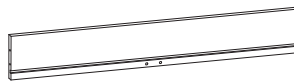
x 1

13



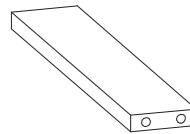
x 1

14



x 1

15



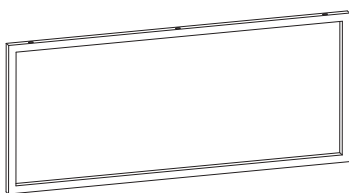
x 1

16



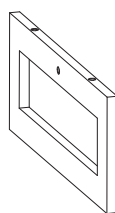
x 1

17



x 1

18



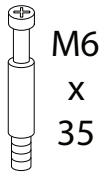
x 2

19



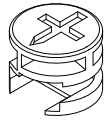
x 1

A



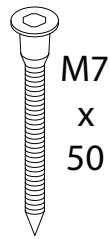
x 14

B



x 14

C



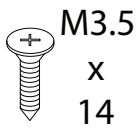
x 8

D



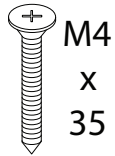
x 16

E



x 44

F



x 6

G



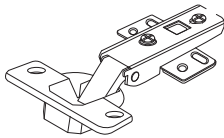
x 2

H



x 2

I



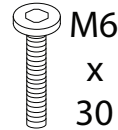
x 4

J



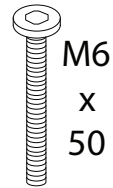
x 6

K



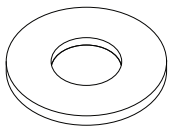
x 2

L



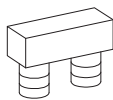
x 7

M



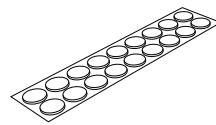
x 9

N



x 2

O



x 8

P



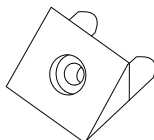
x 2

Q



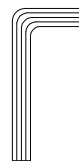
x 4

R



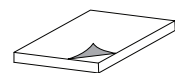
x 12

S



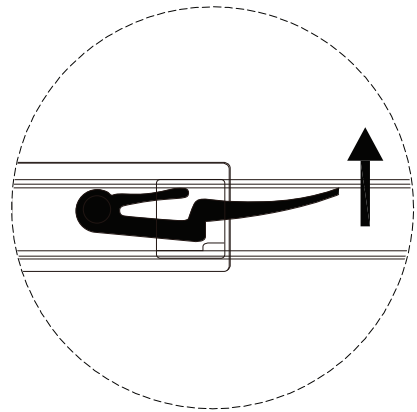
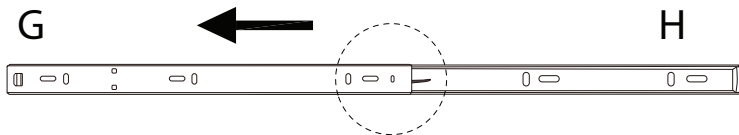
x 1

T

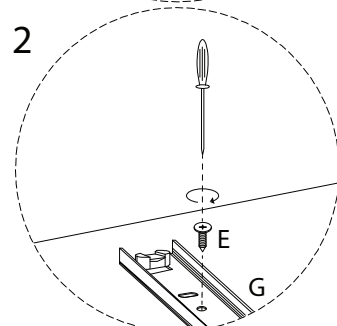
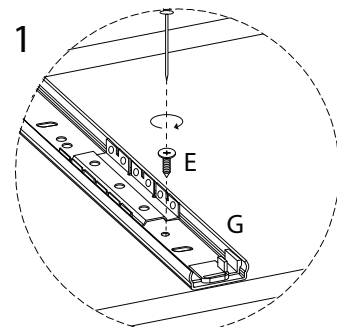
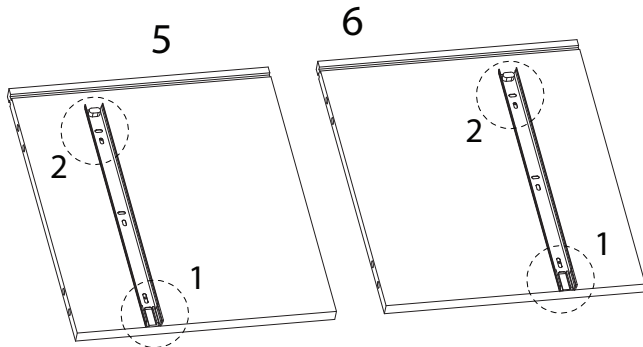
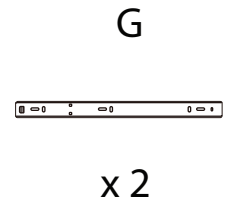
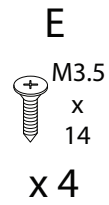


x 4

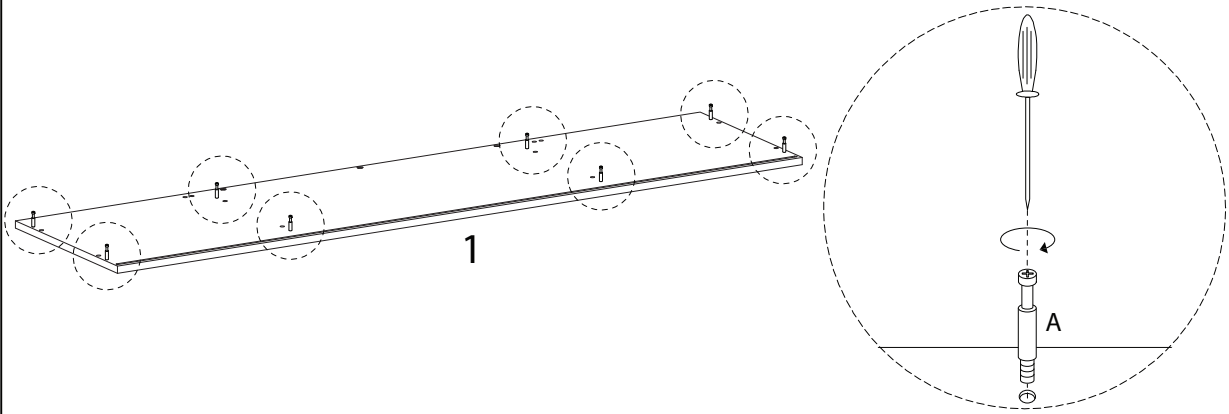
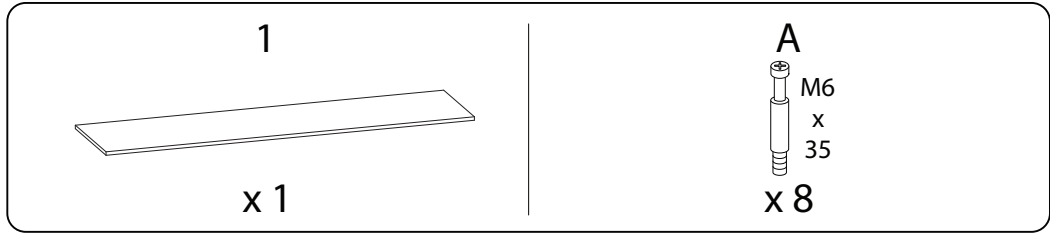
!



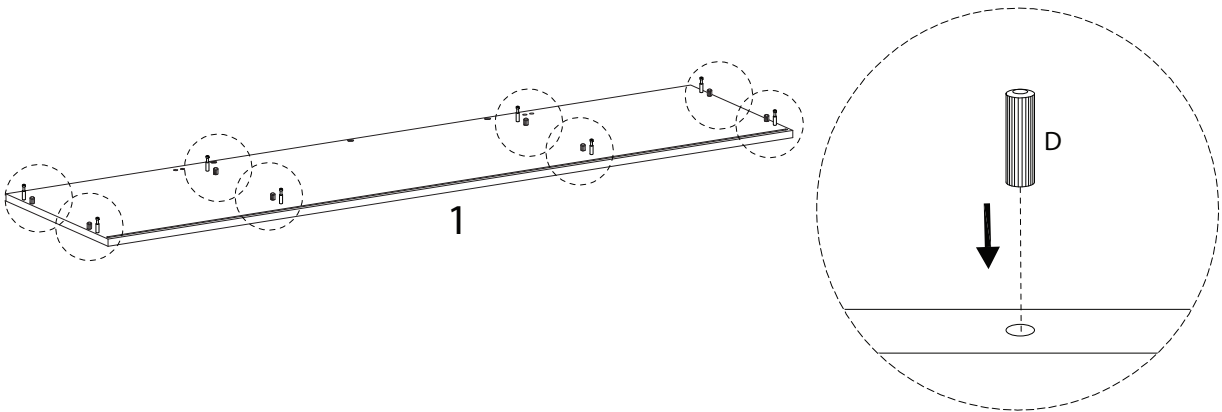
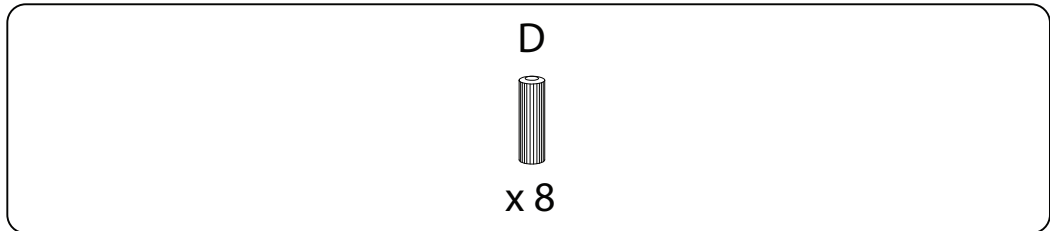
1



2

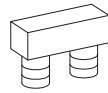


3

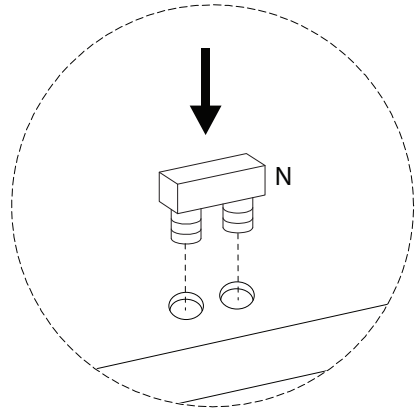
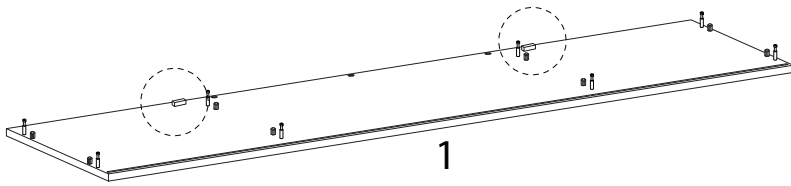


4

N



x 2



5

3



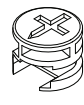
x 1

4

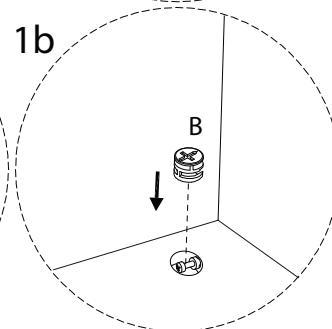
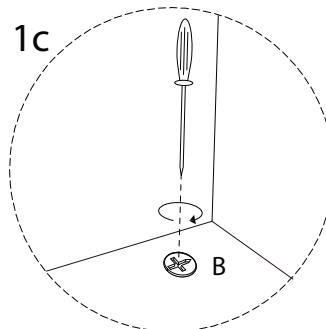
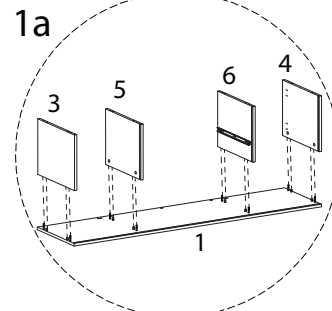
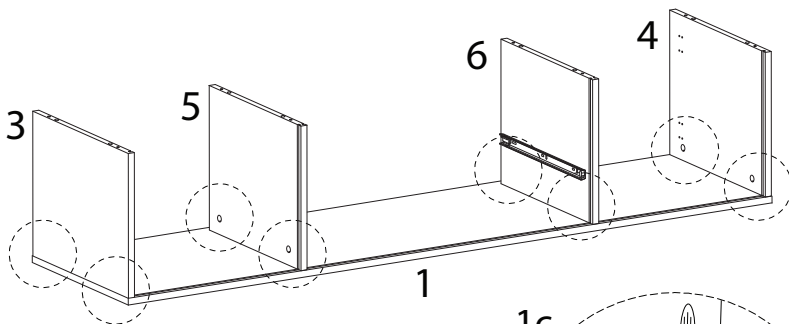


x 1

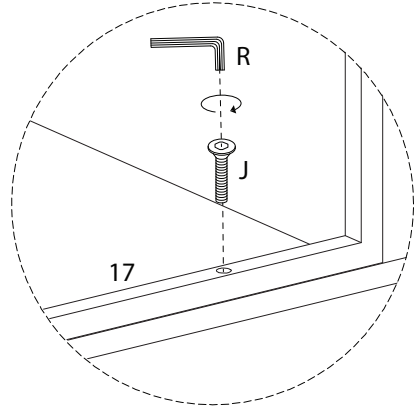
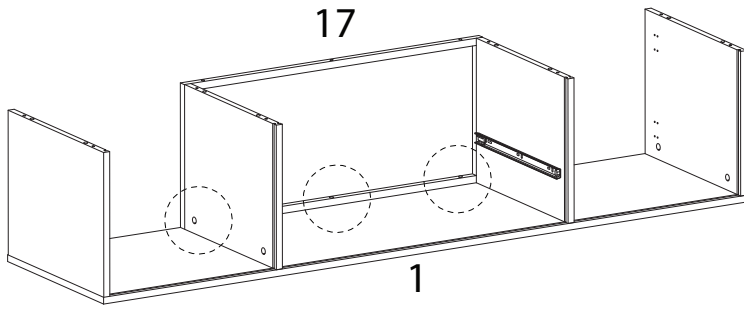
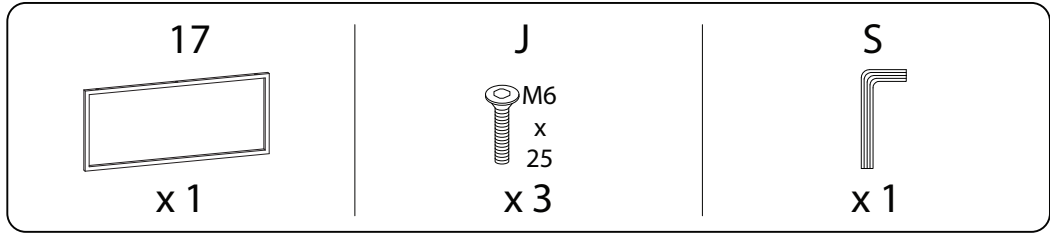
B



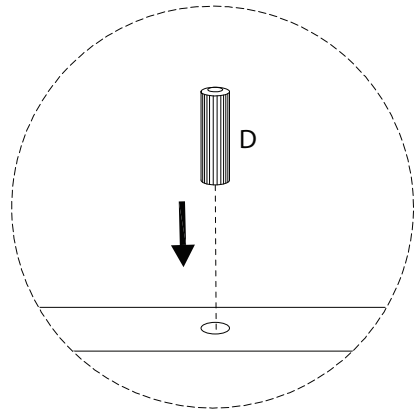
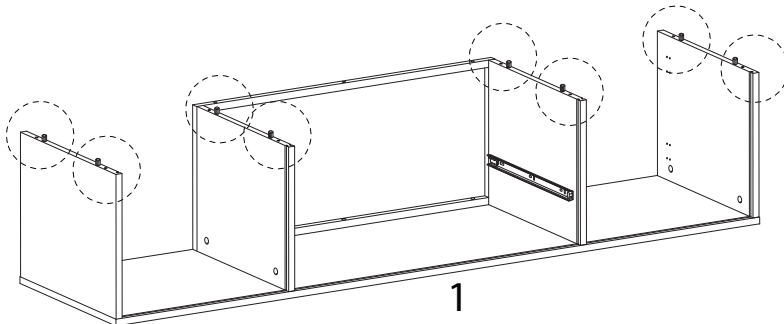
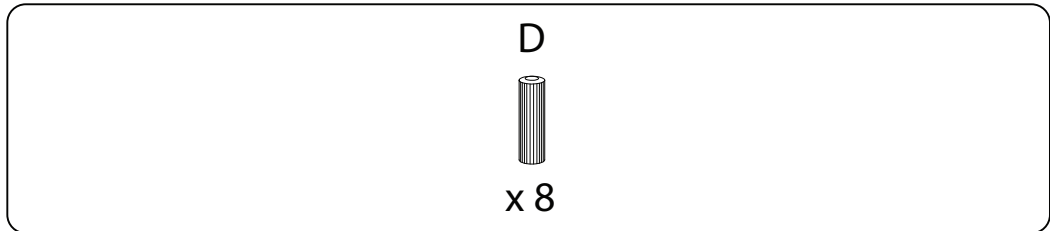
x 8



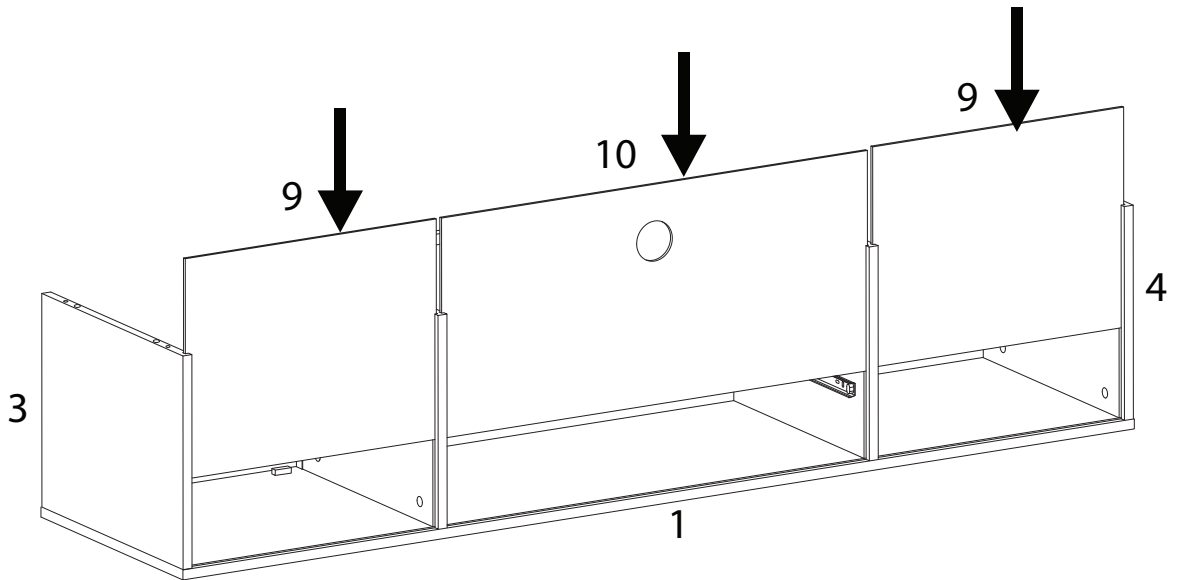
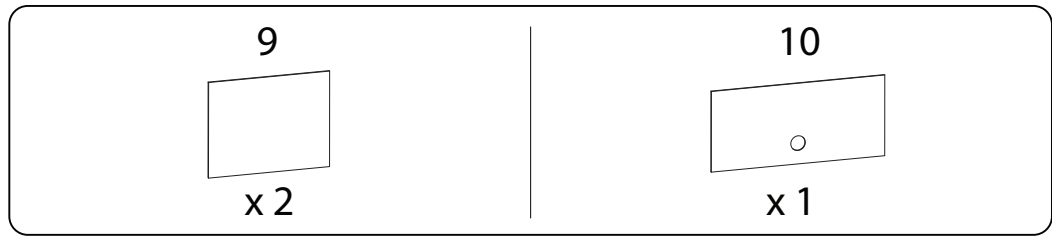
6



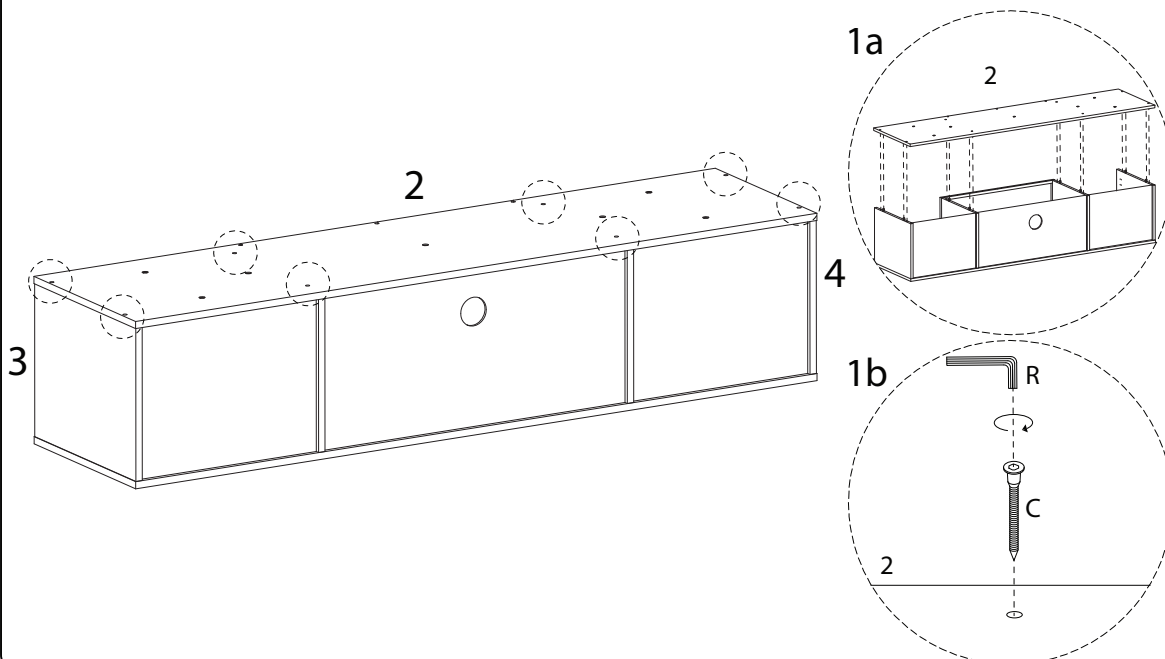
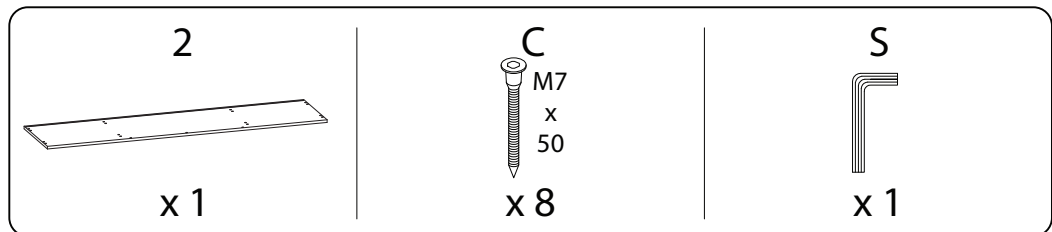
7



8

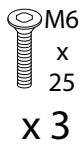


9

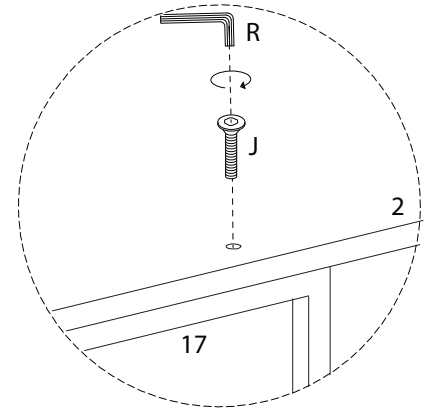
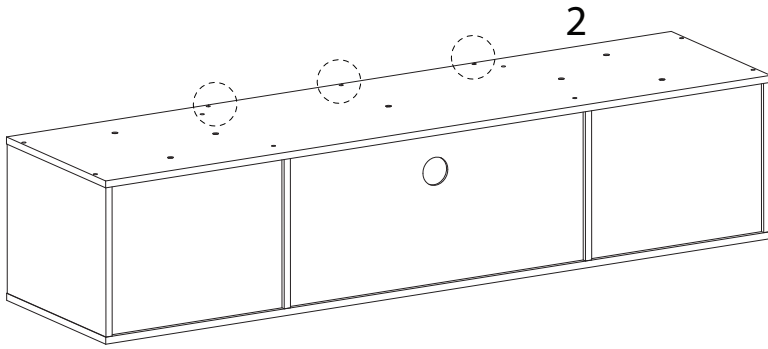
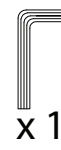


10

J

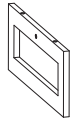


S



11

18



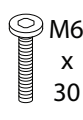
x 2

19



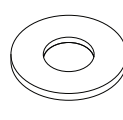
x 1

K



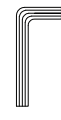
x 2

M

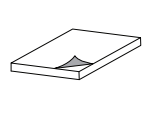


x 2

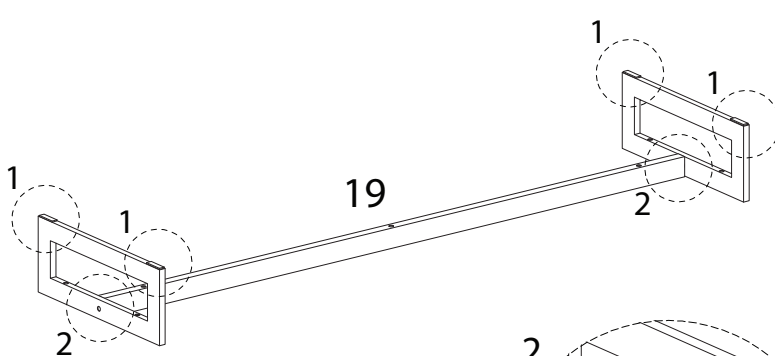
S



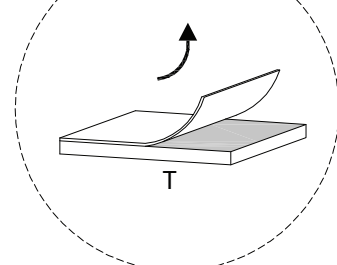
T



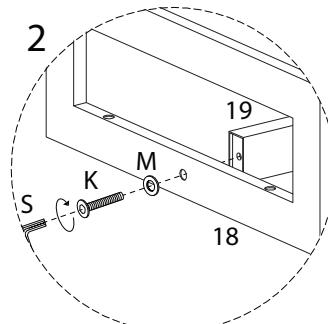
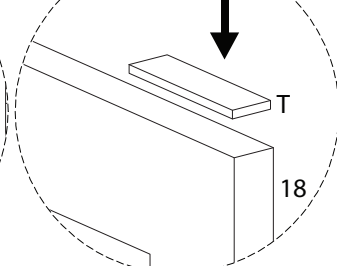
x 4



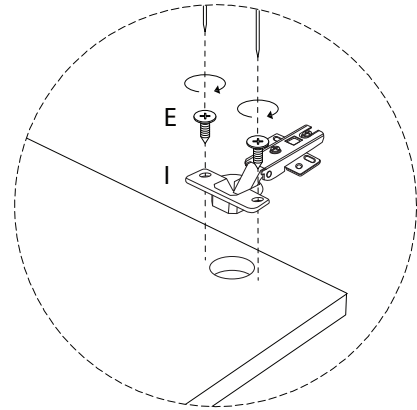
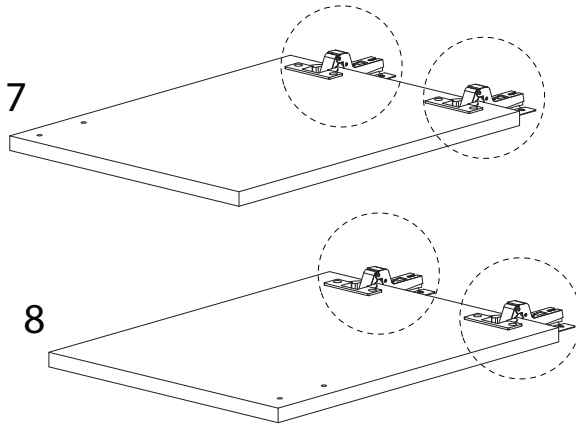
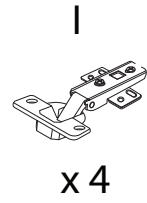
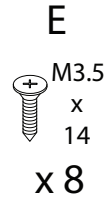
1a



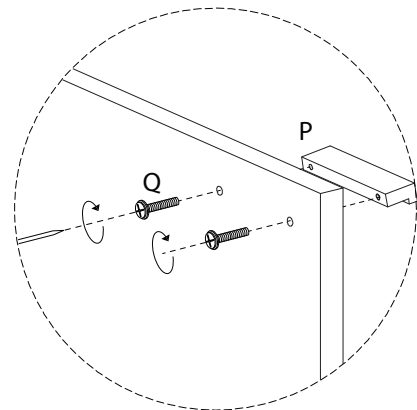
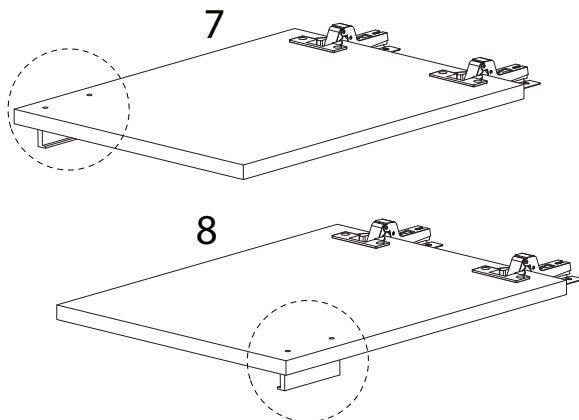
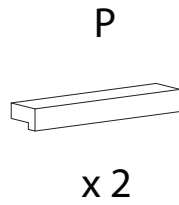
1b



12



13

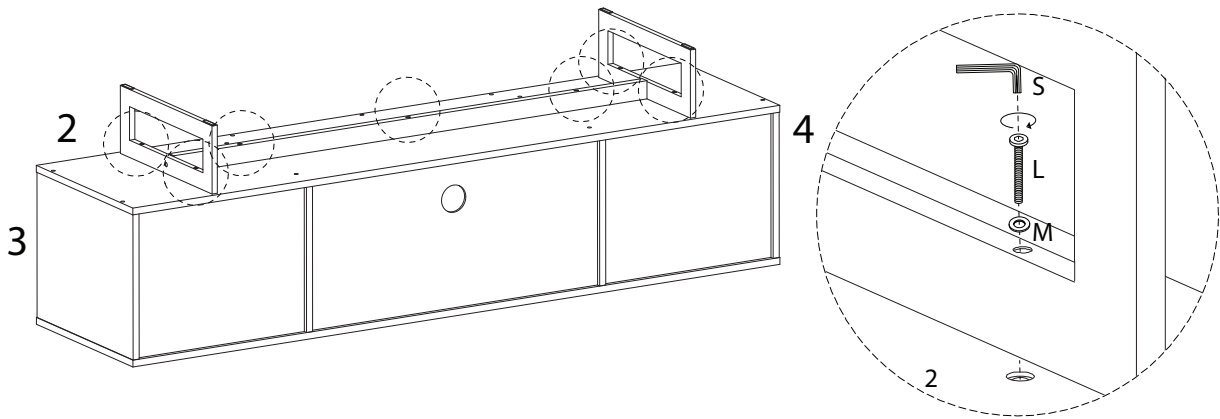


14

L
M6
x
50
x7

M
x7

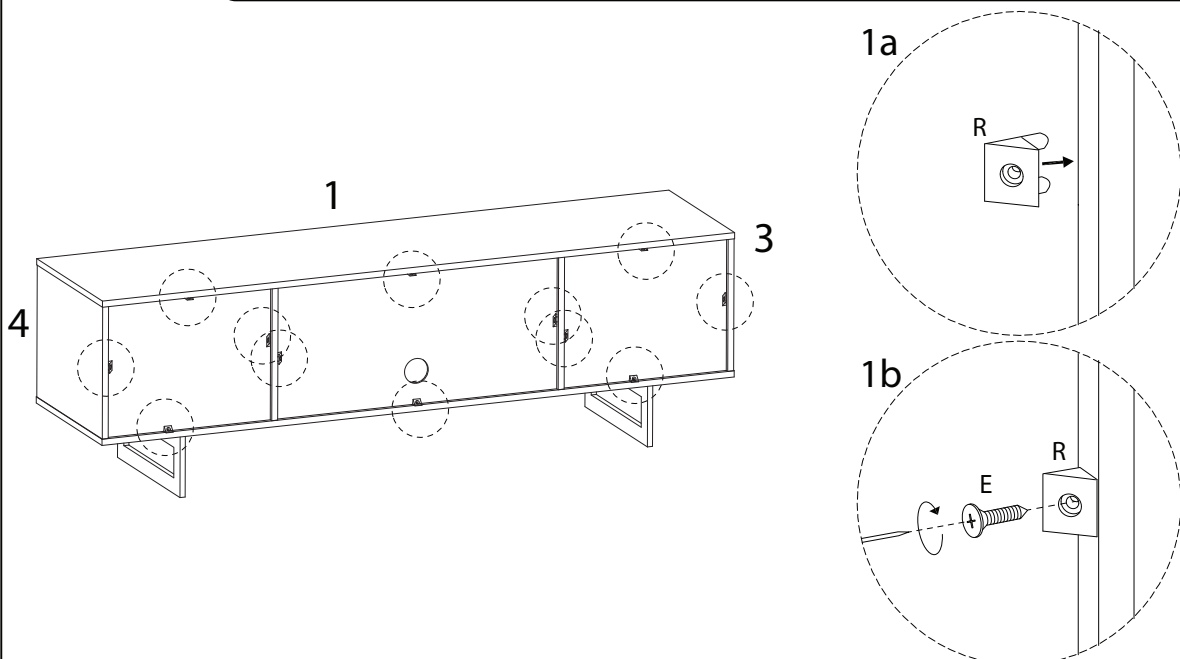
S
x1



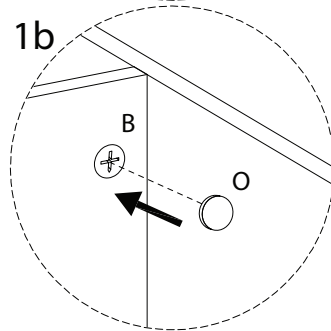
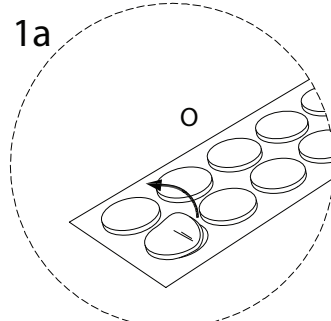
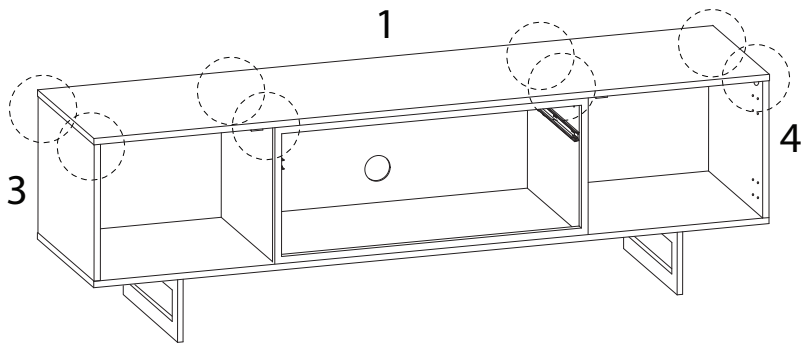
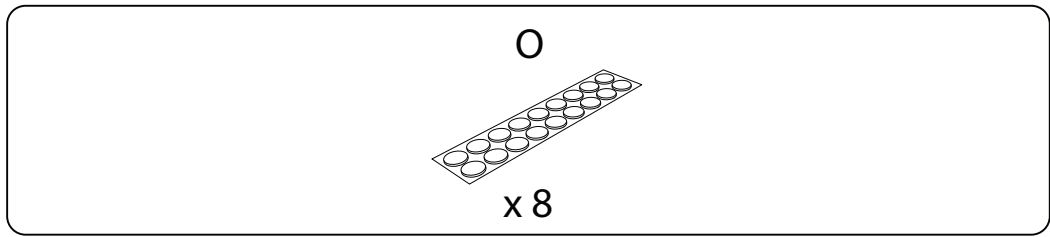
15

E
M3.5
x
14
x12

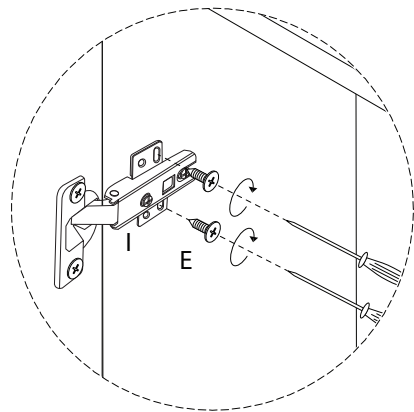
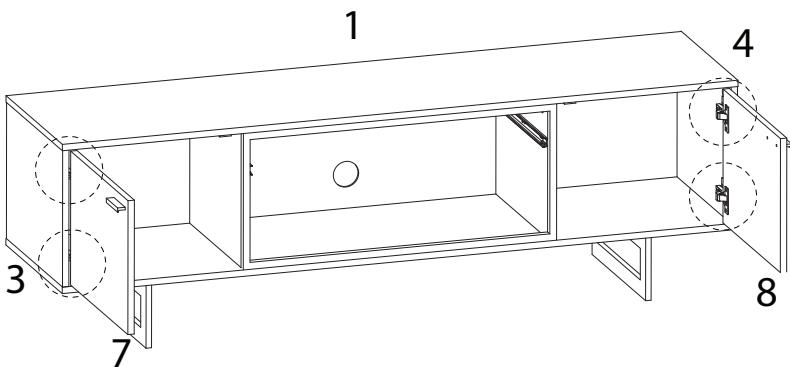
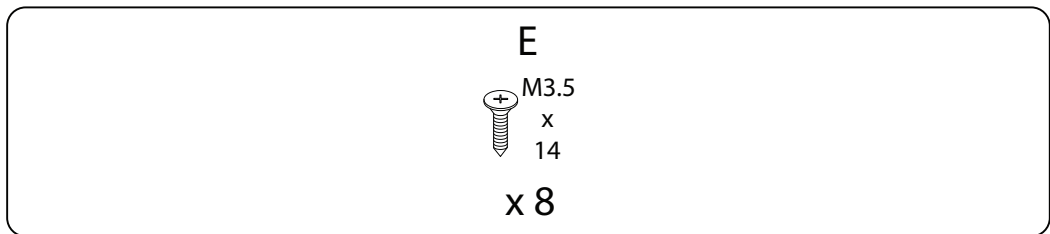
R
x12



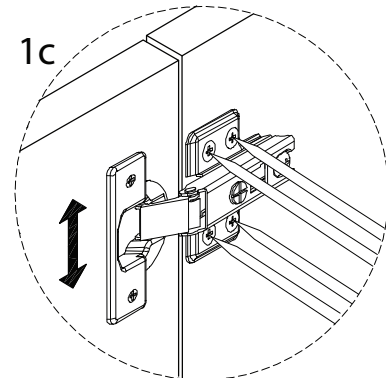
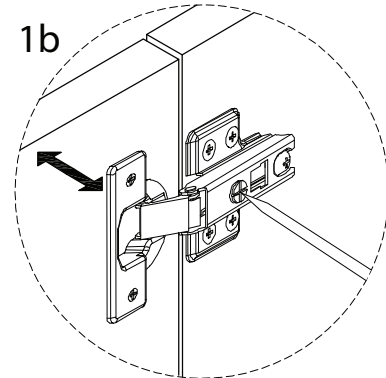
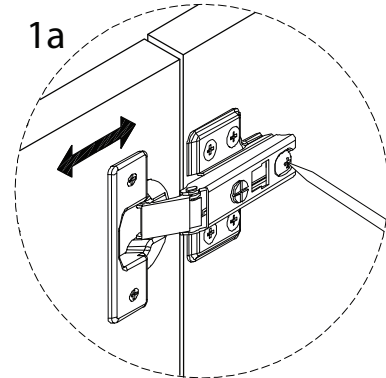
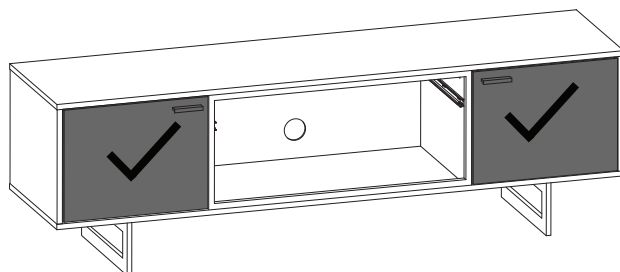
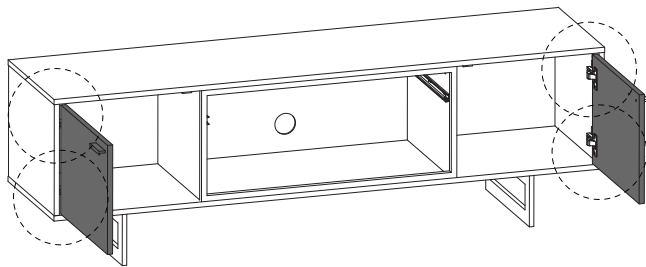
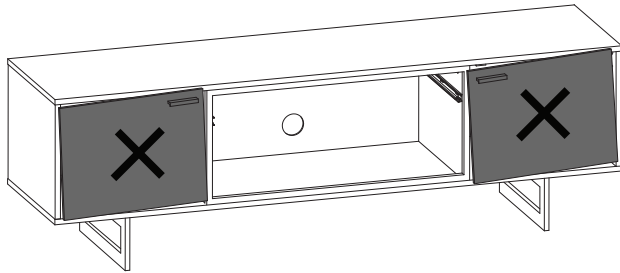
16



17

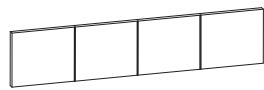


18



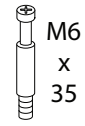
19

11

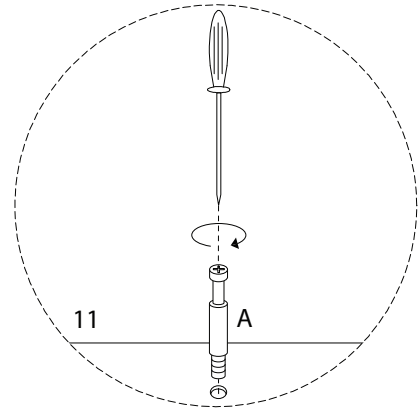
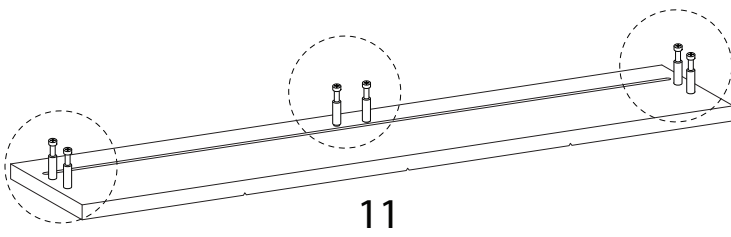


x 1

A

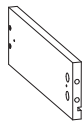


M6
x
35
x 6



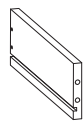
20

12



x 1

13



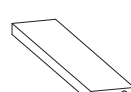
x 1

14



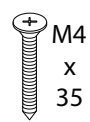
x 1

15

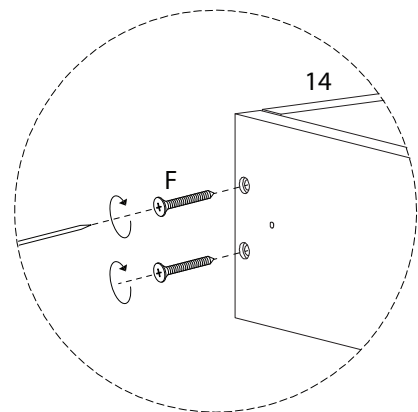
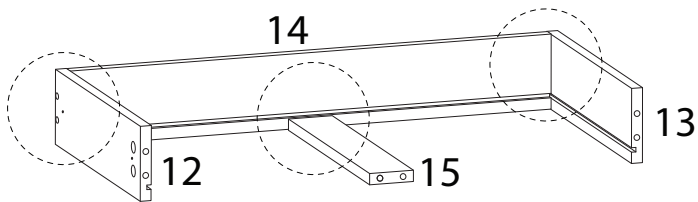


x 1

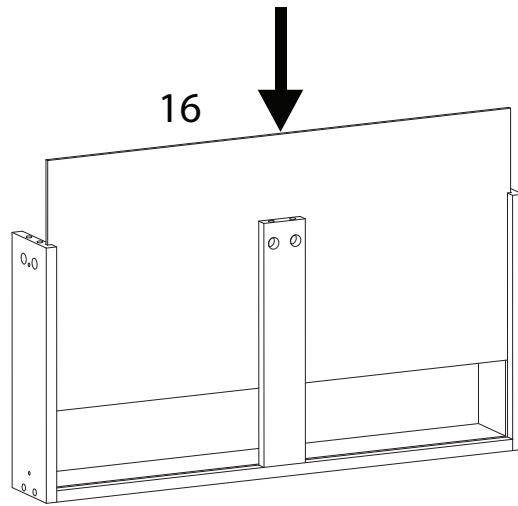
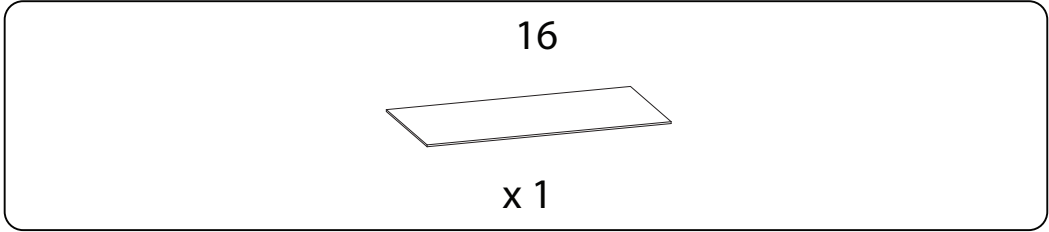
F



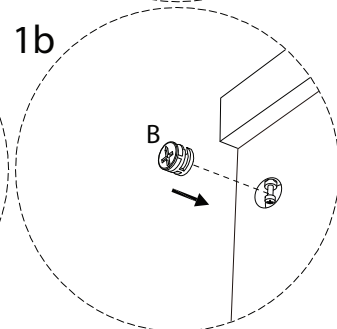
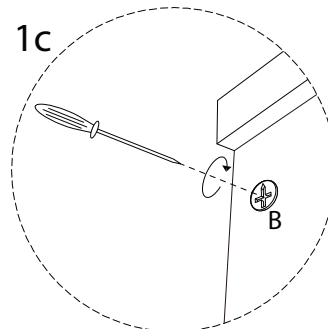
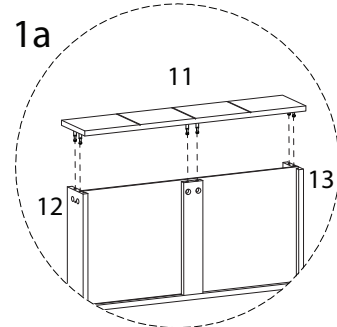
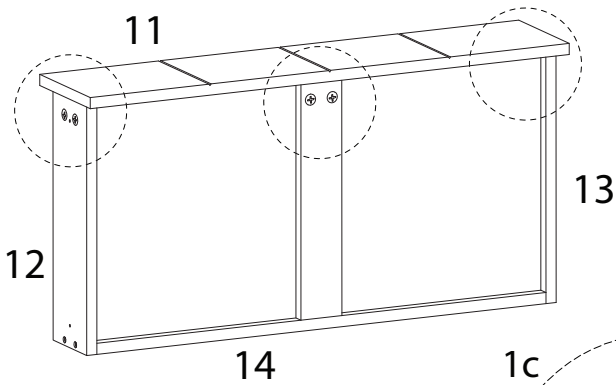
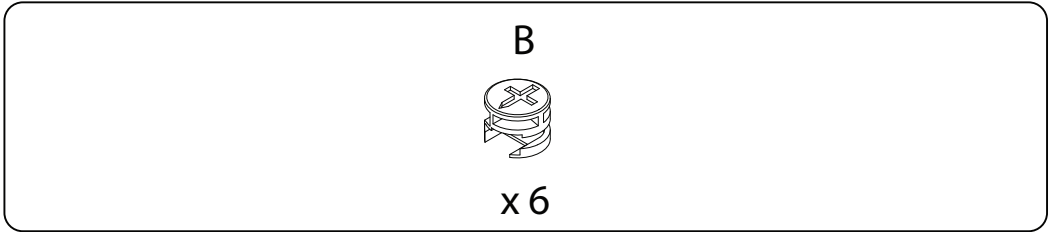
M4
x
35
x 6



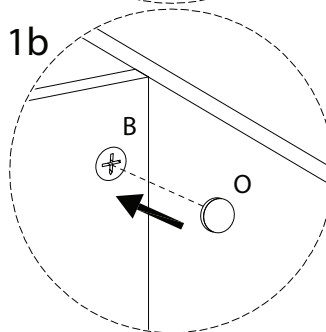
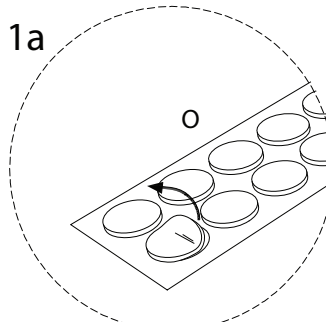
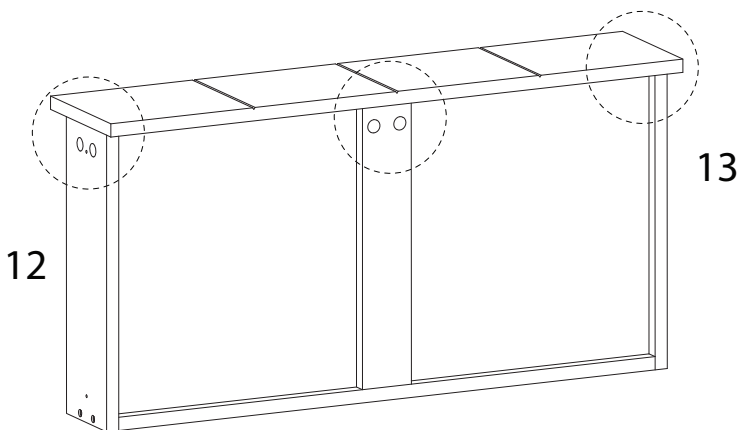
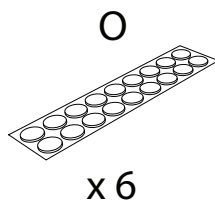
21



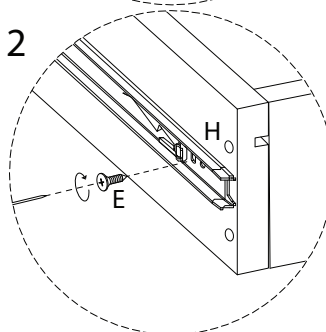
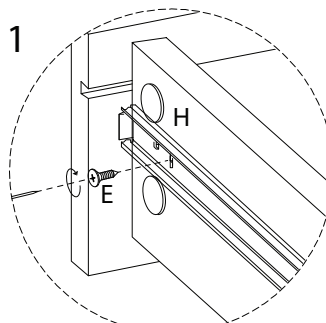
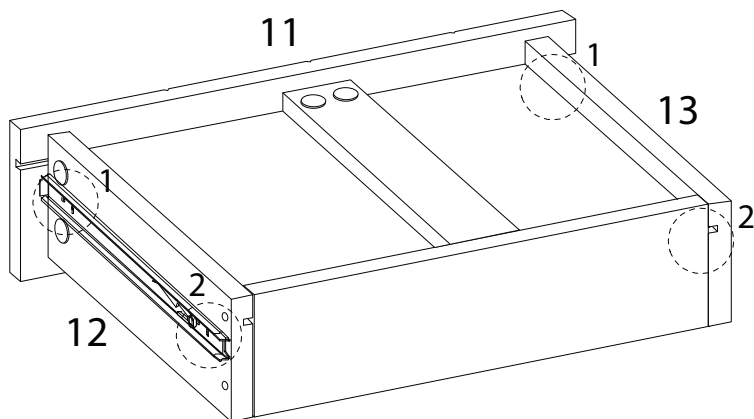
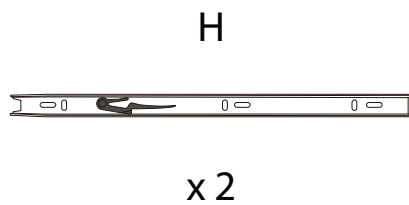
22



23



24



25

