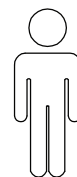
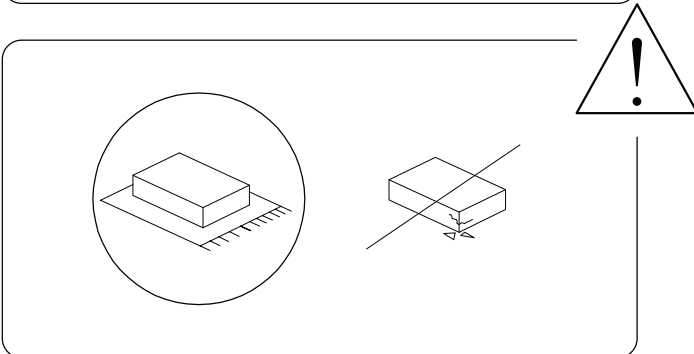
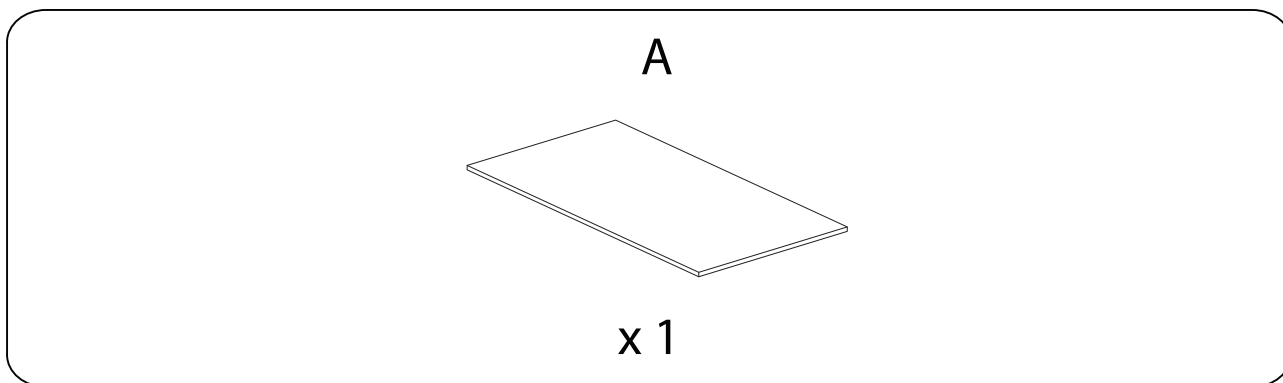
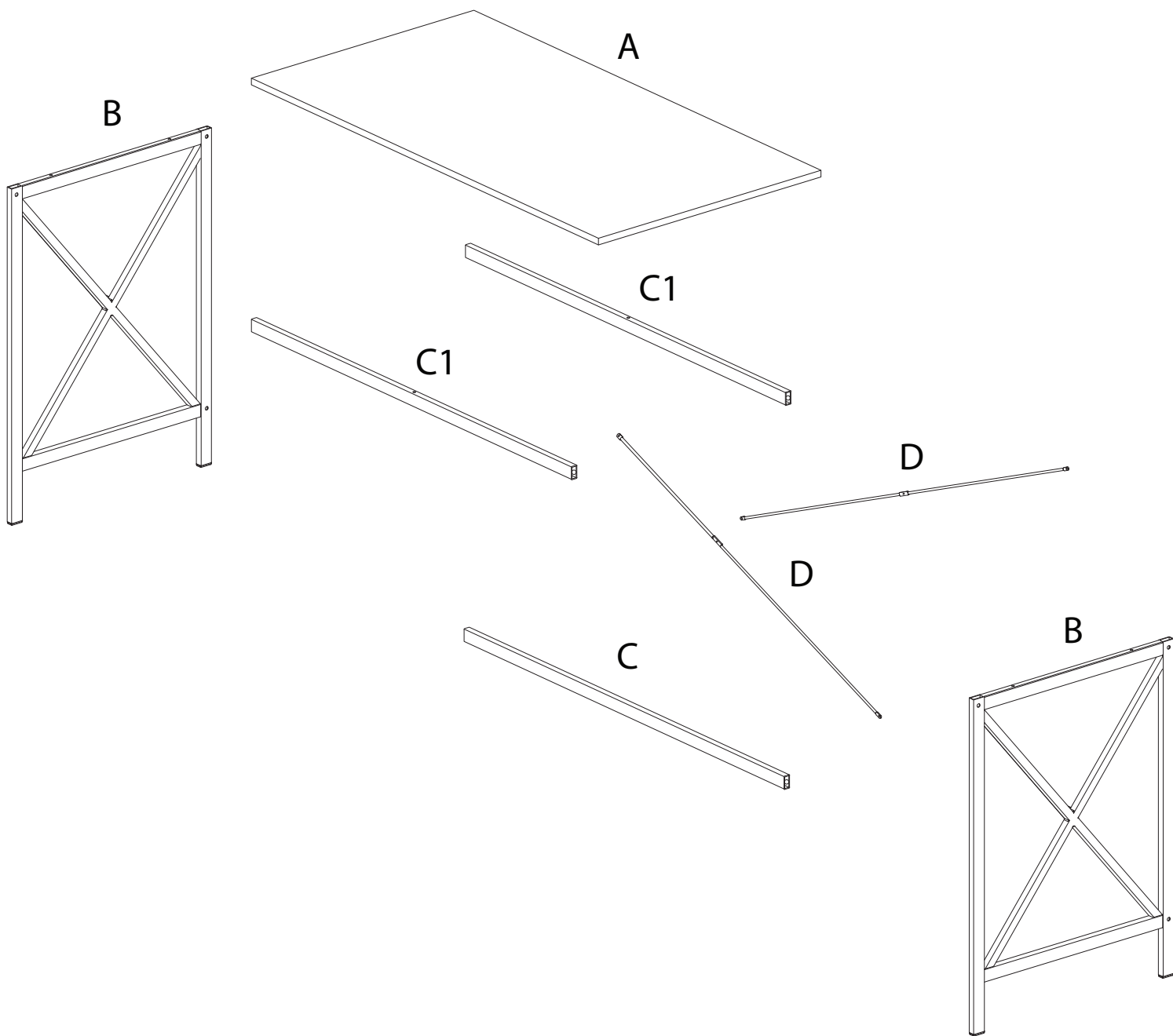
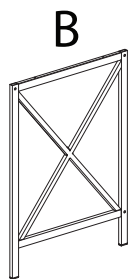


30'



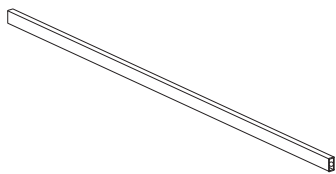
2





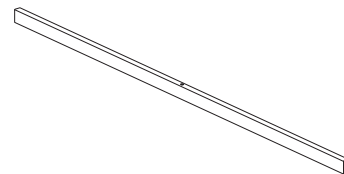
B

x 2



C

x 1



C1

x 2



D

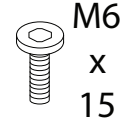
x 2



E

x 12

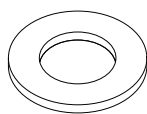
M6
x
35



F

x 5

M6
x
15



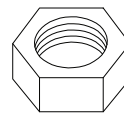
G

x 17



H

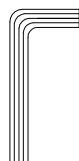
x 1



I







x 1

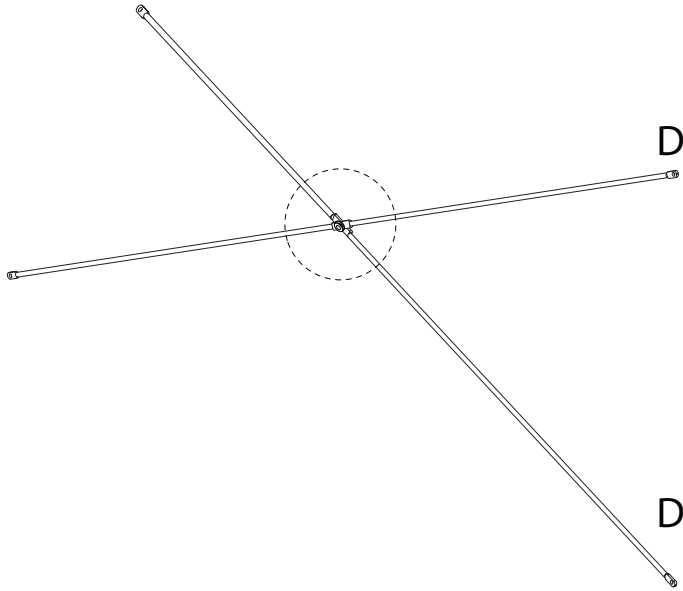
J




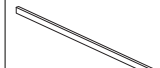
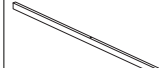



x 1

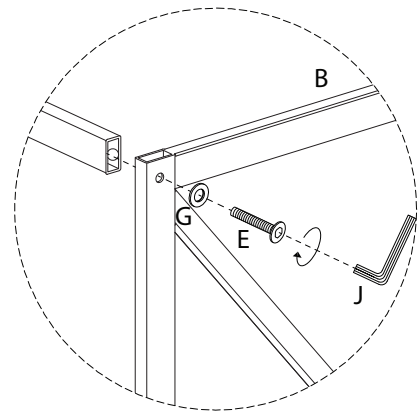
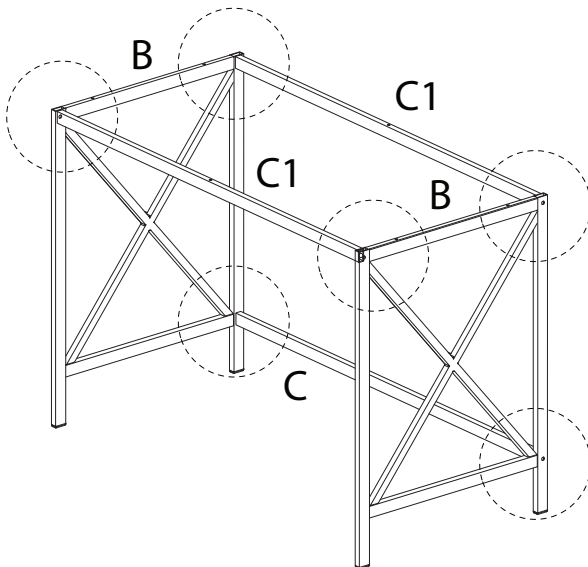
1

D  x2	F M6 x 15  x1	G  x1	H  x1	I  x1	J  x1
--	---	--	---	--	--



2

B  x2	C  x1	C1  x2	E M6 x 35  x6	G  x6	J  x1
--	--	---	---	--	--

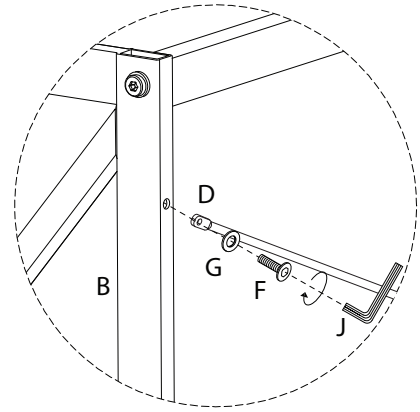
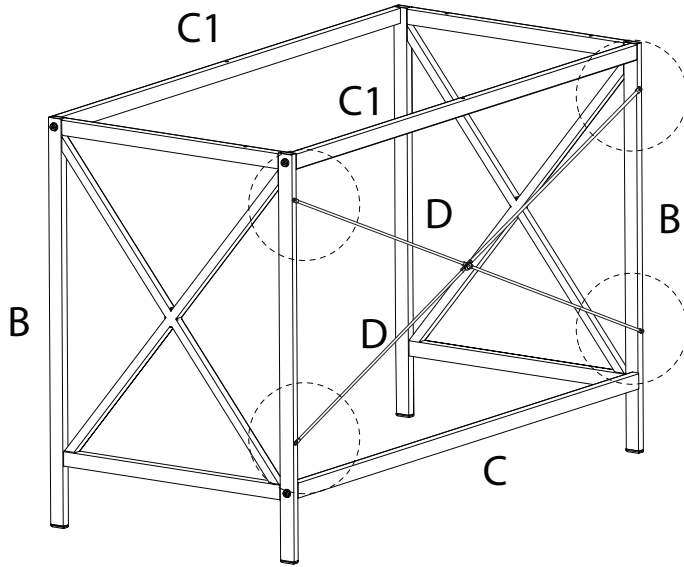


3

F
M6
x
15
x 4

G
x 4

J
x 1



4

A
x 1

E
M6
x
35
x 6

G
x 6

J
x 1

