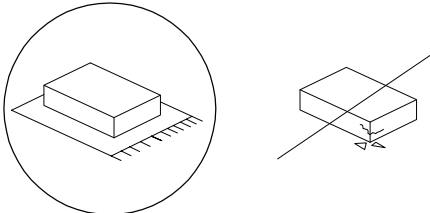


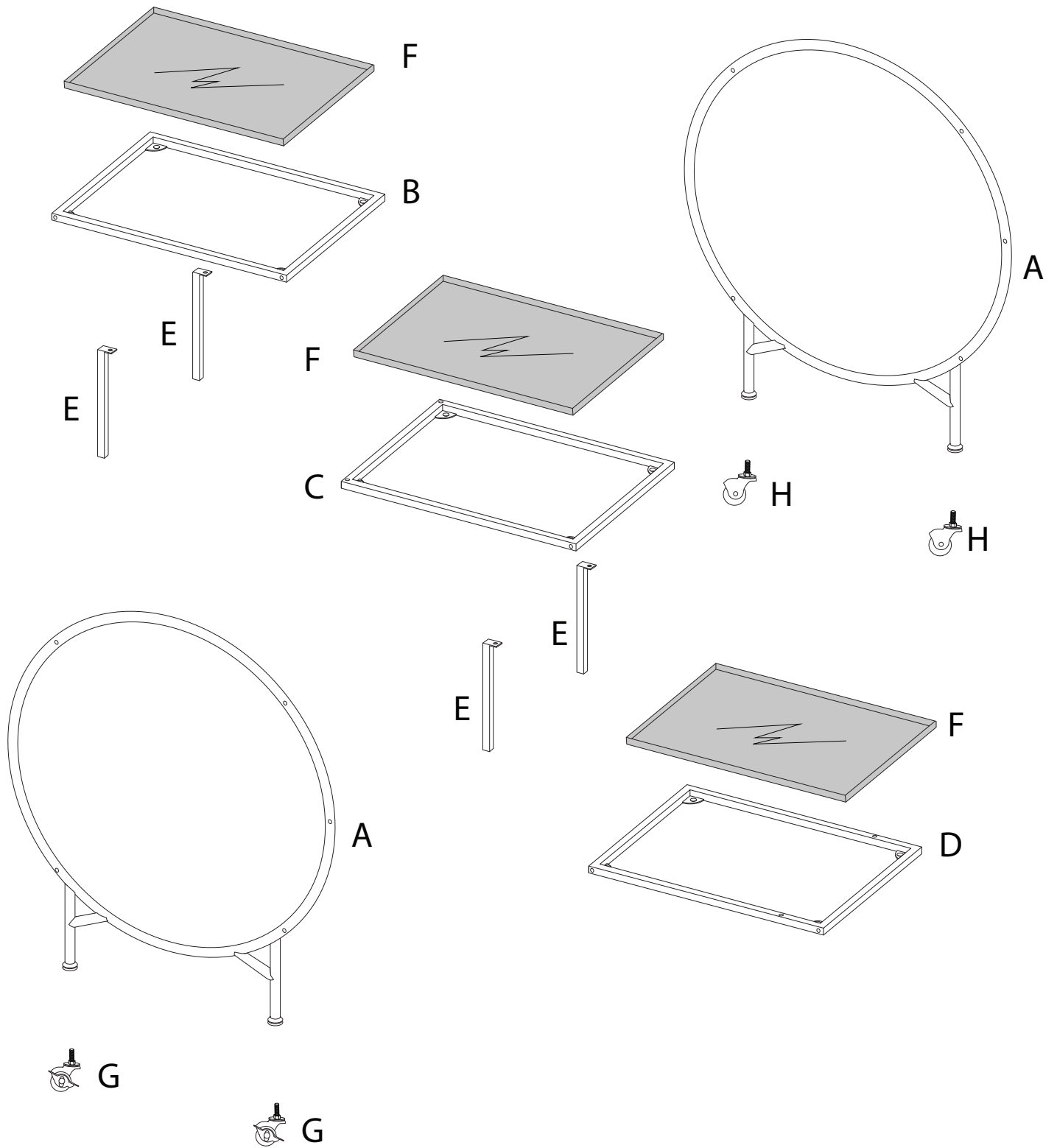
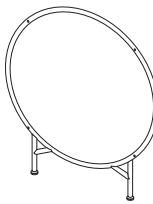
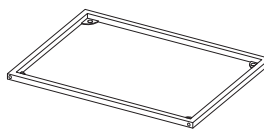
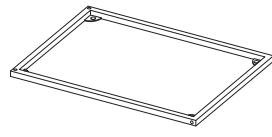
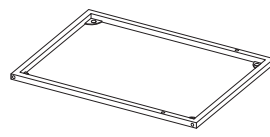

		40'
		
		2



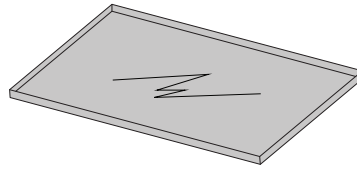
A	B	C	D
			
x 2	x 1	x 1	x 1

E



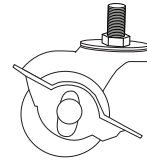
x 4

F



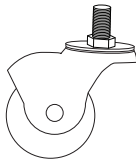
x 3

G



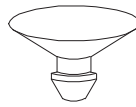
x 2

H



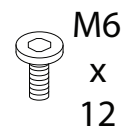
x 2

I



x 12

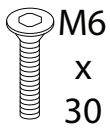
J



M6
x
12

x 4

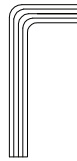
K



M6
x
30

x 14

L



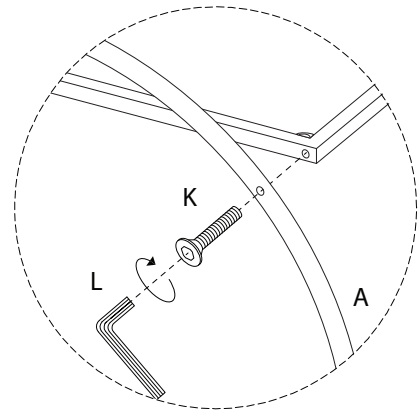
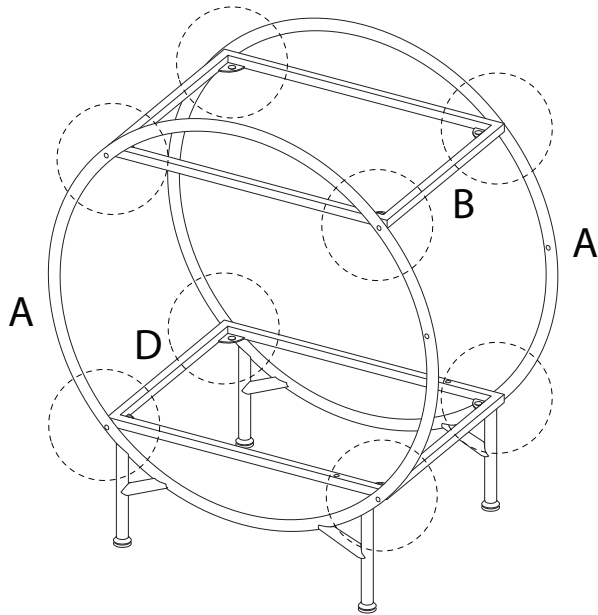
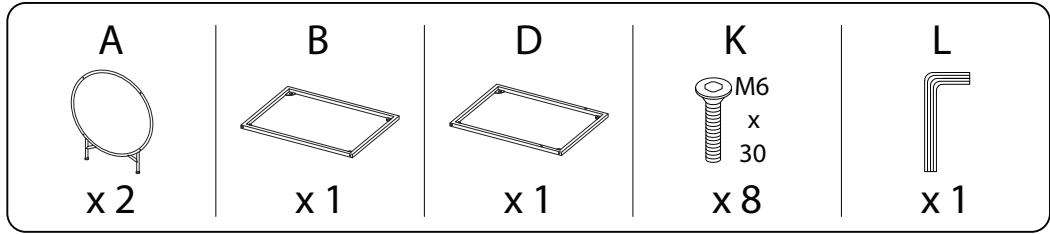
x 1

M

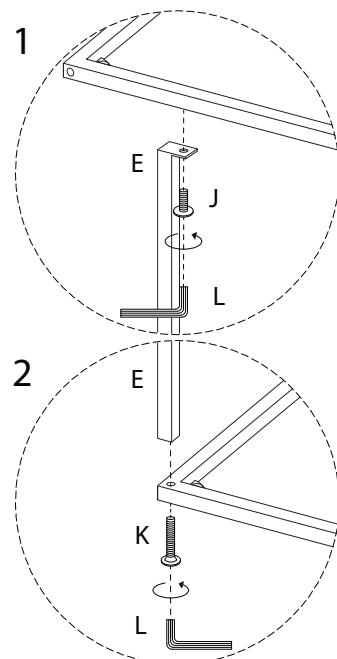
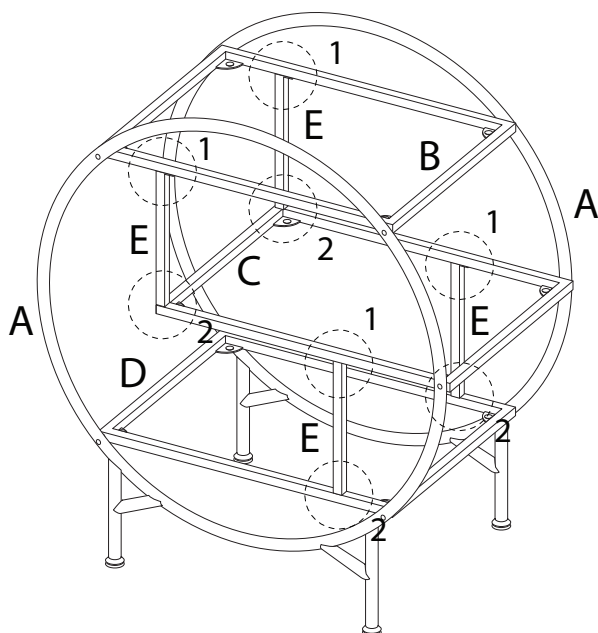
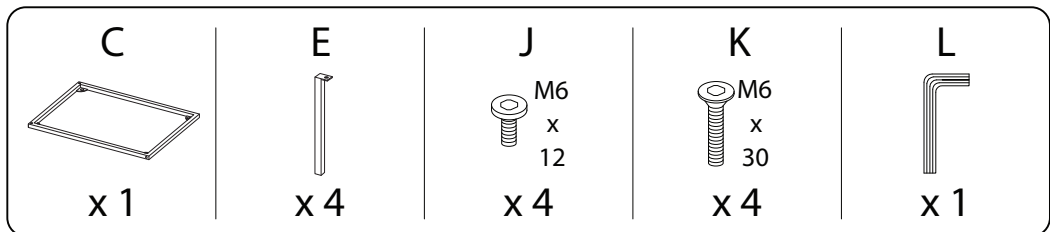


x 1

1

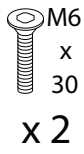


2

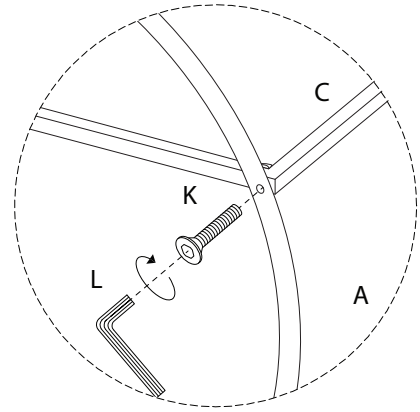
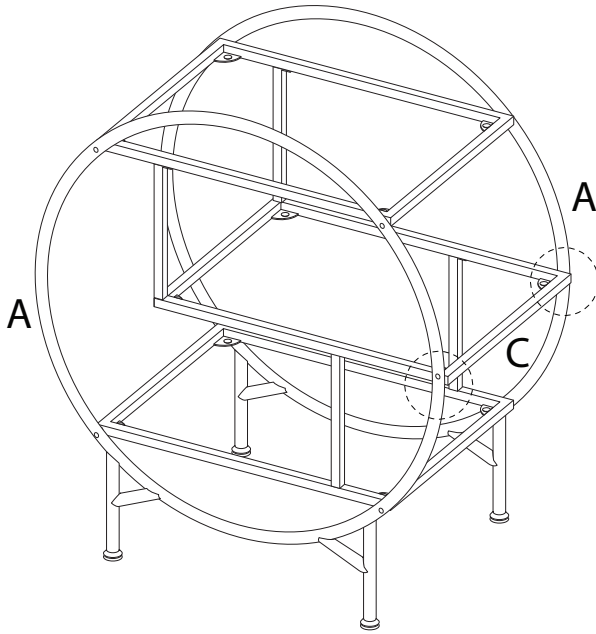


3

K



L

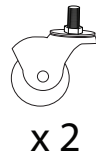


4

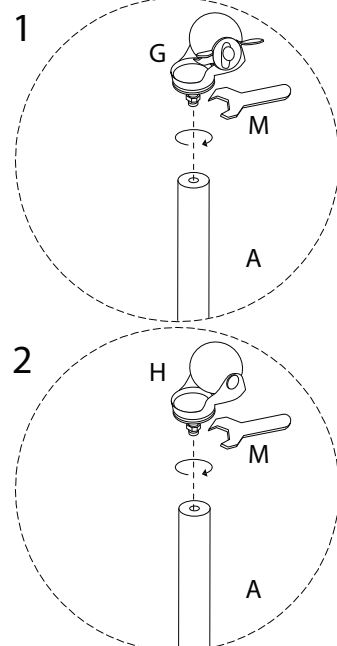
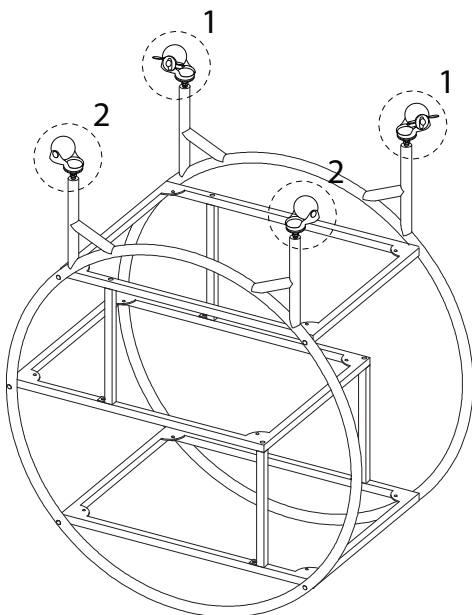
G



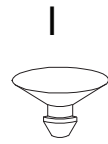
H



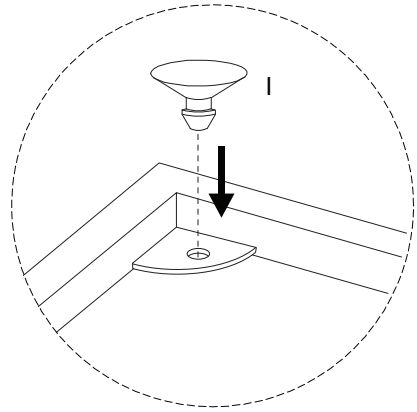
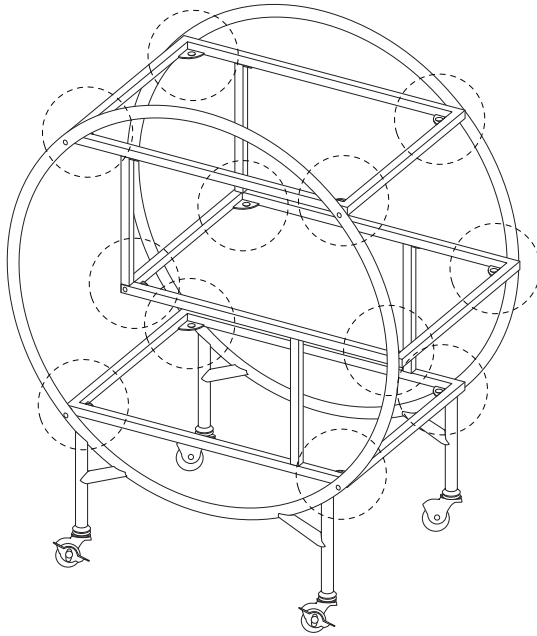
M



5

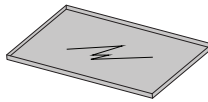


x 12



6

F



x 3

