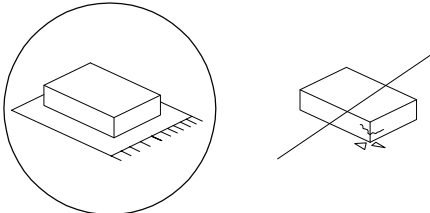


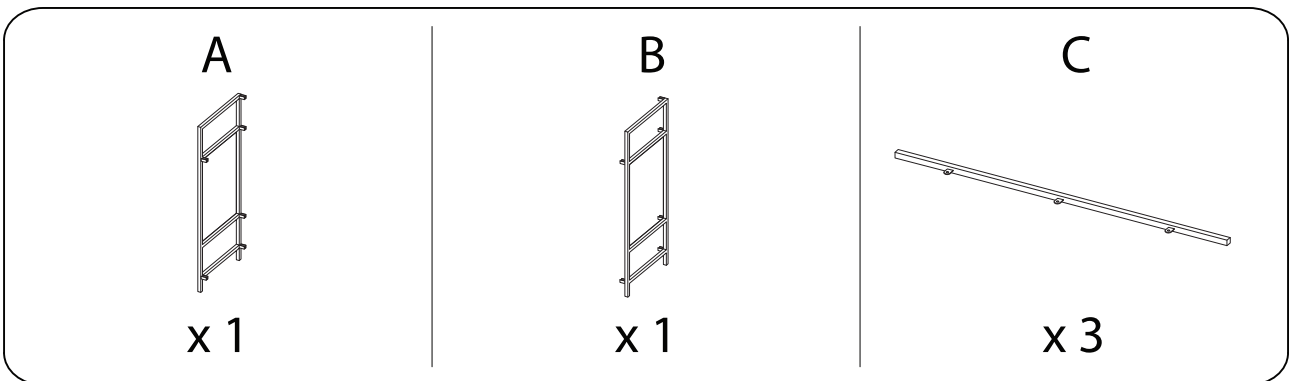
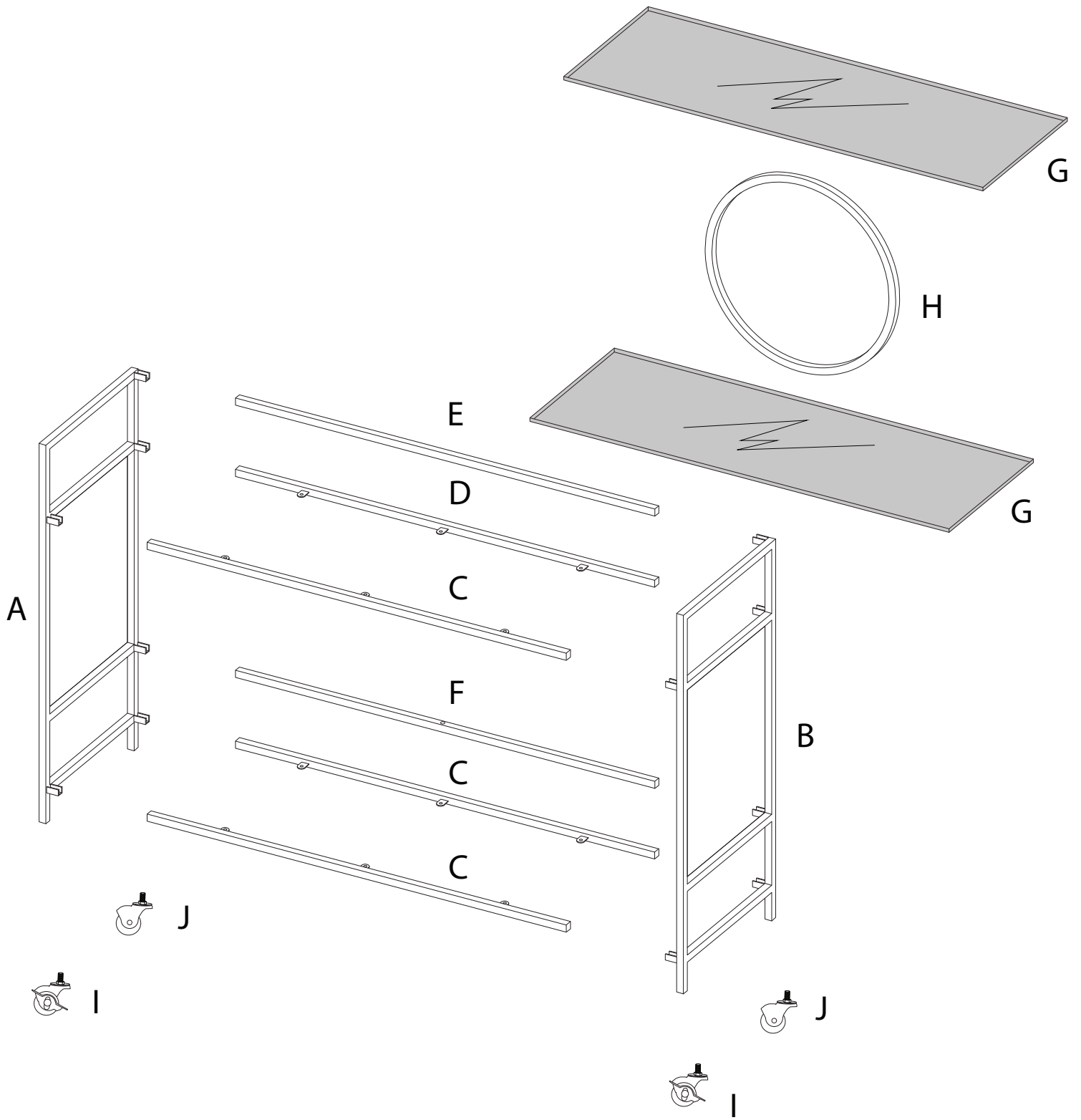
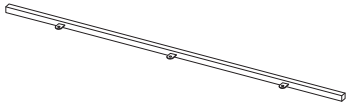

		<b>40'</b>
		
		<b>2</b>

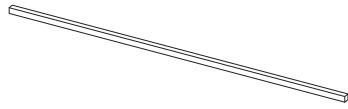


D



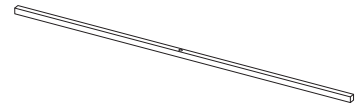
x 1

E



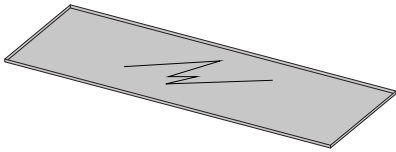
x 1

F



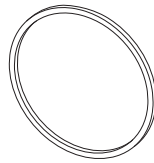
x 1

G



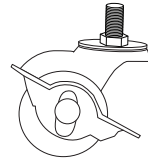
x 2

H



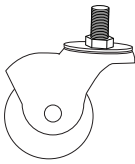
x 1

I



x 2

J



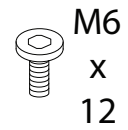
x 2

K



x 12

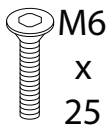
L



M6  
x  
12

x 24

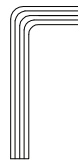
M



M6  
x  
25

x 2

N



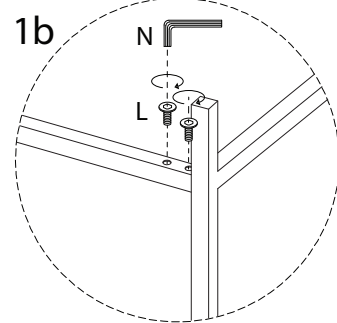
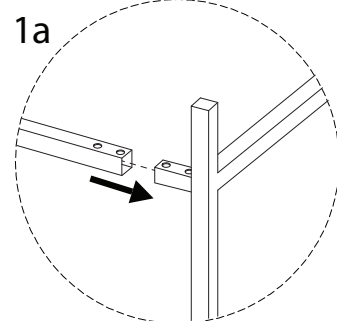
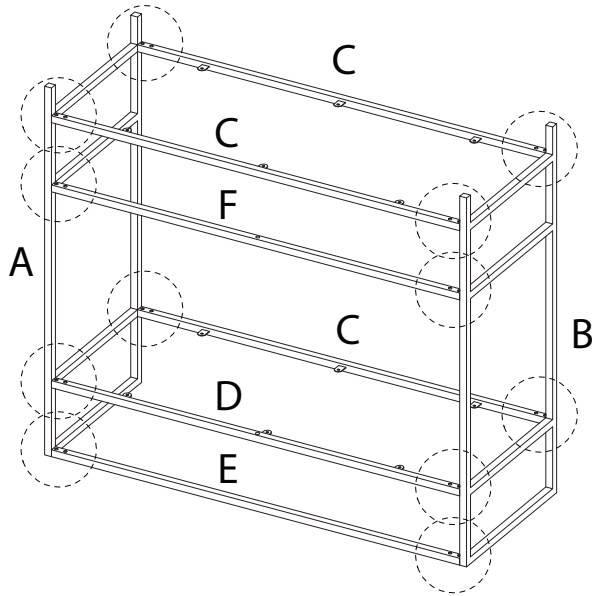
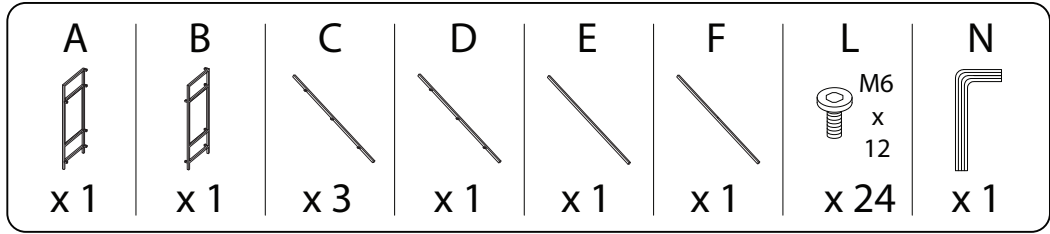
x 1

O

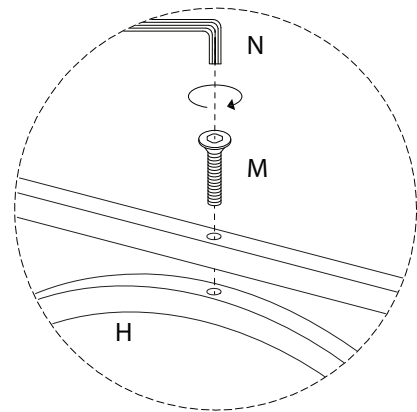
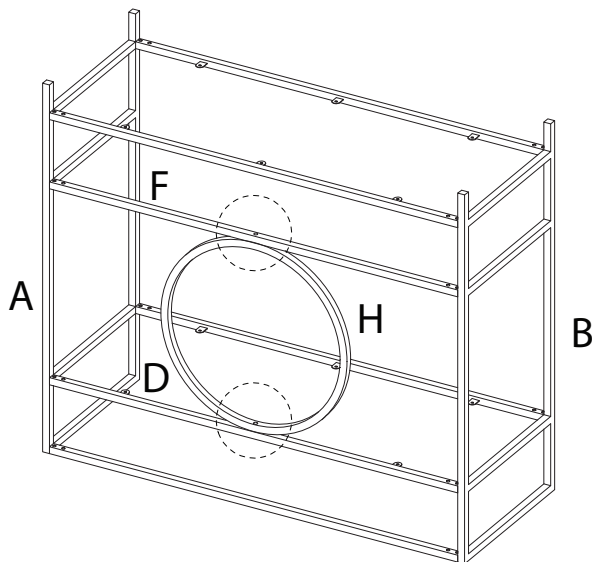
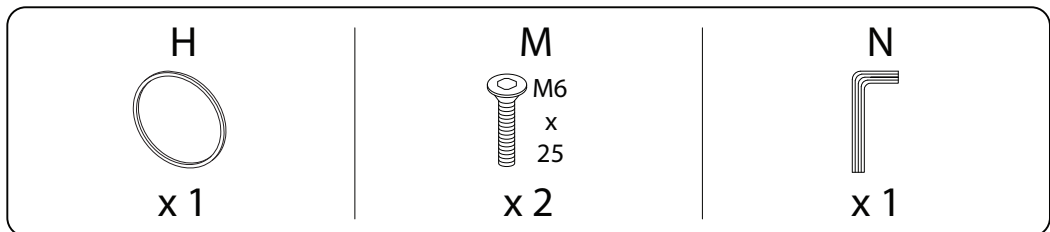


x 1

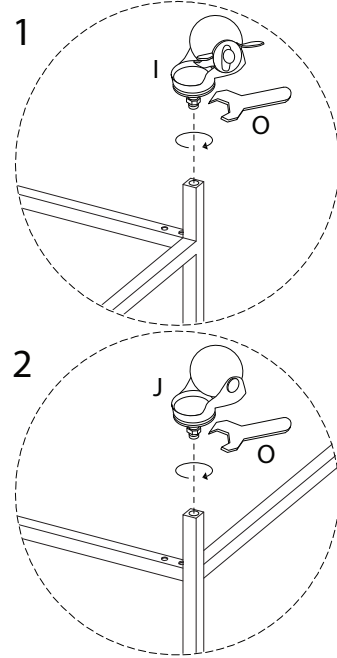
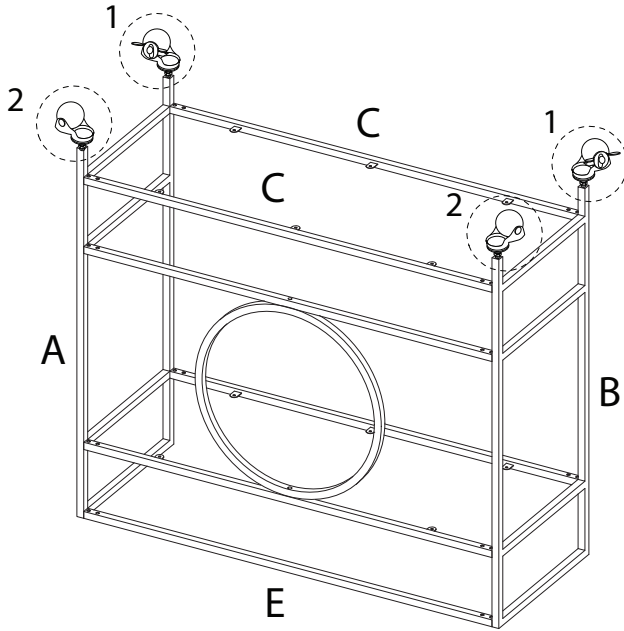
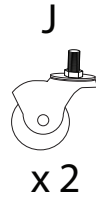
1



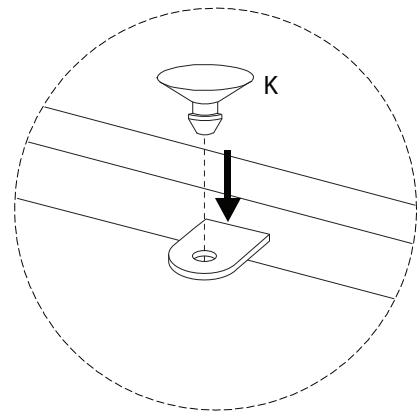
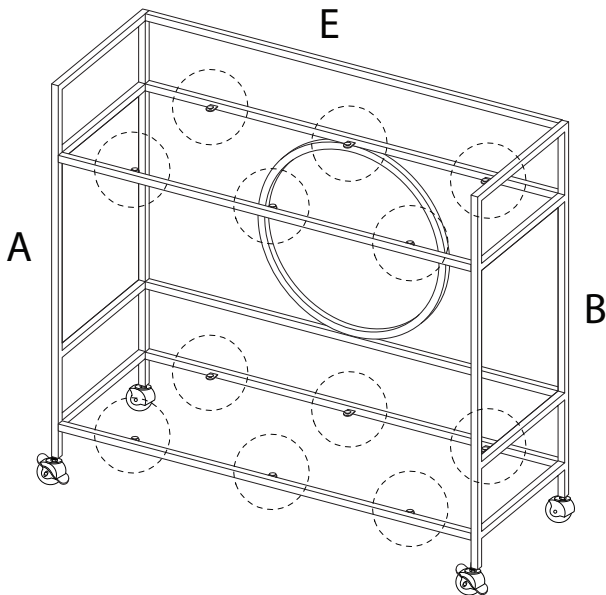
2



3



4



5

