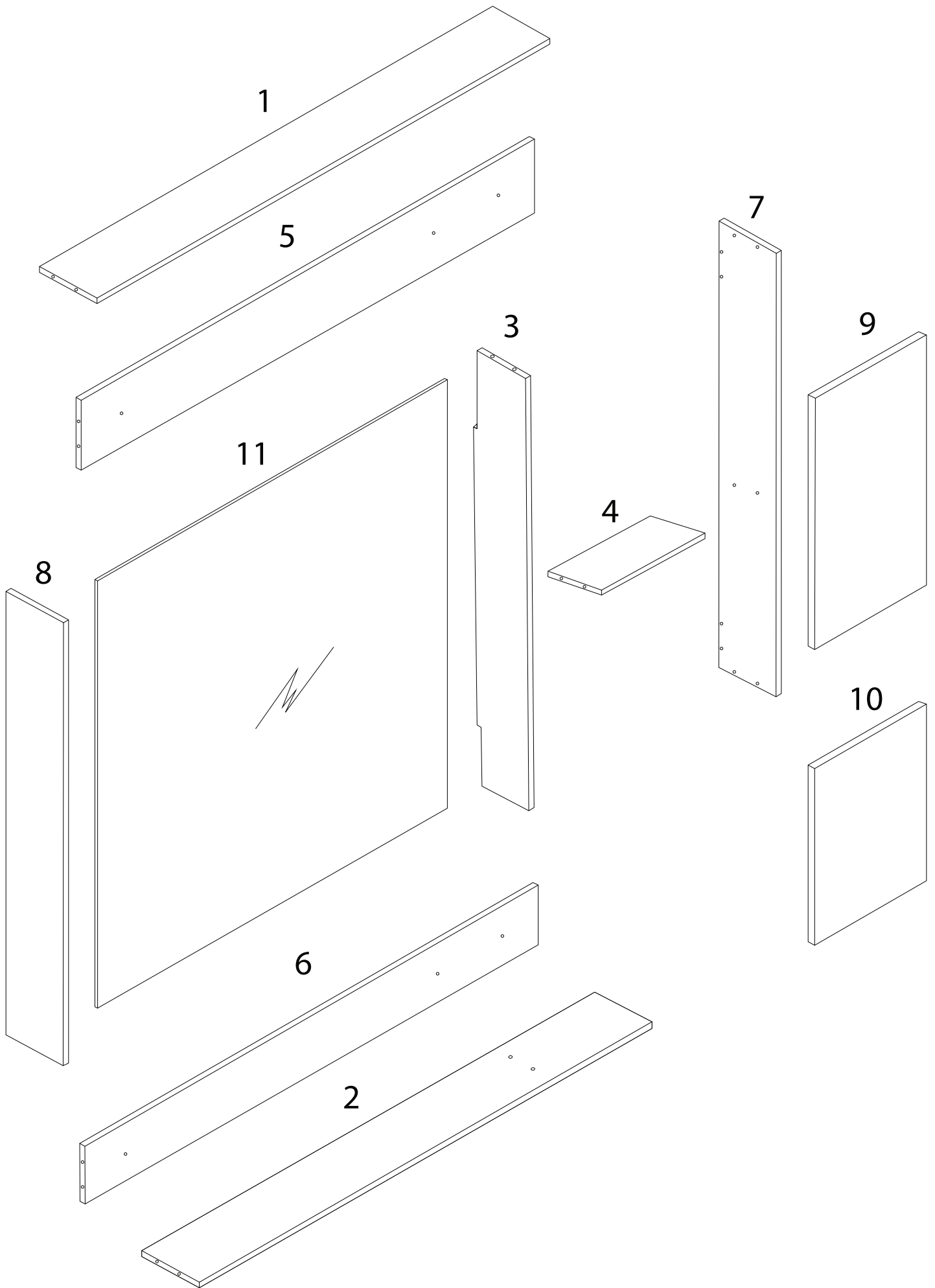
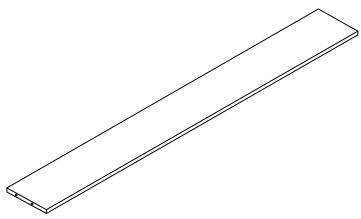


Diagram illustrating assembly steps and safety warnings:

- Step 1:** Shows a screwdriver and a power drill. A warning triangle with an exclamation mark is positioned above this step.
- Step 2:** Shows a rectangular block being placed on a surface. A warning triangle with an exclamation mark is positioned above this step.
- Time:** A clock icon indicates a duration of **90'** (90 minutes).
- Personnel:** A person icon indicates that **1** person is required for the assembly.

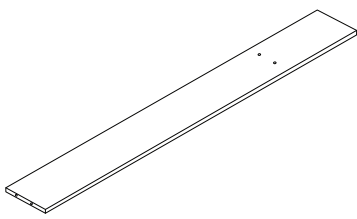


1



x 1

2



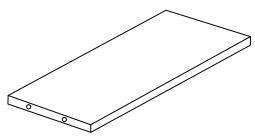
x 1

3



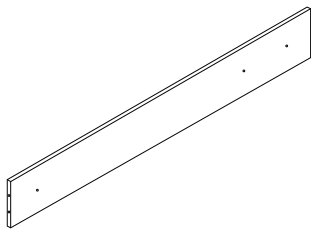
x 1

4



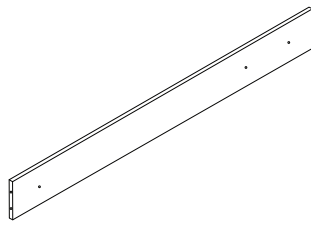
x 1

5



x 1

6



x 1

7



x 1

8



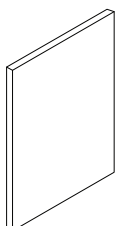
x 1

9



x 1

10



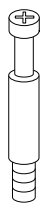
x 1

11



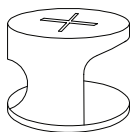
x 1

A



x 24

B



x 24

C



M3.5
x
14

x 16

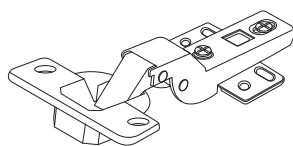
D



M4
x
24

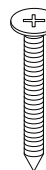
x 2

E



x 4

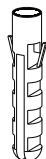
F



M4
x
39

x 4

G



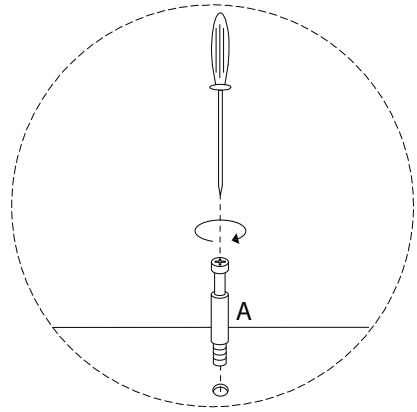
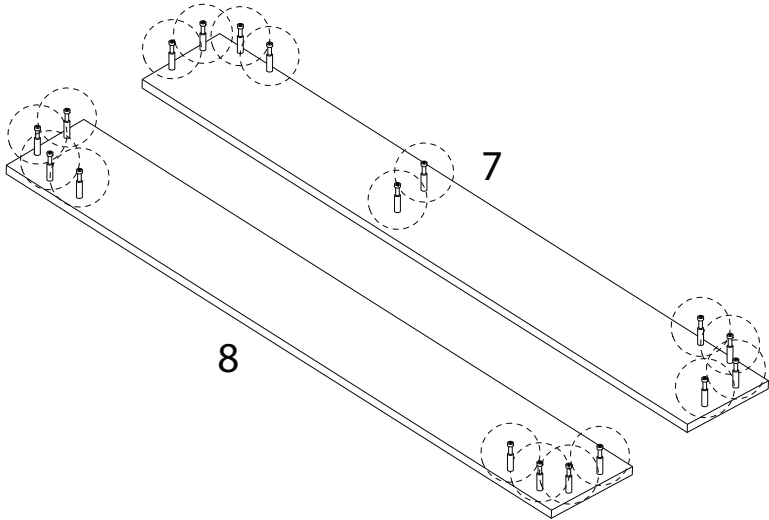
x 4

1

7
x1

8
x1

A
x18

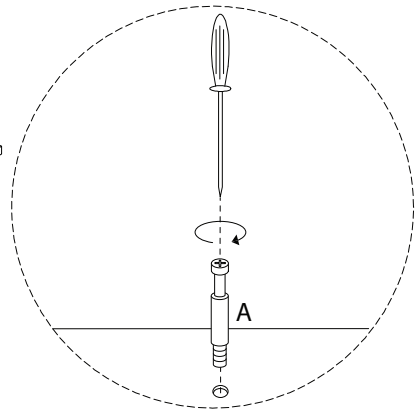
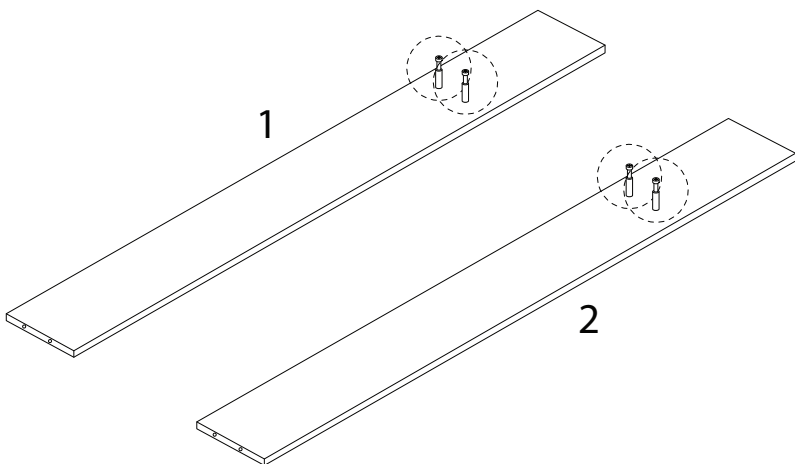


2

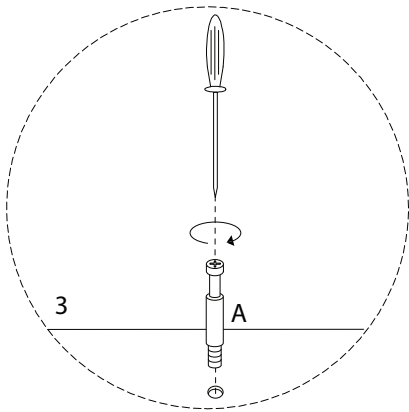
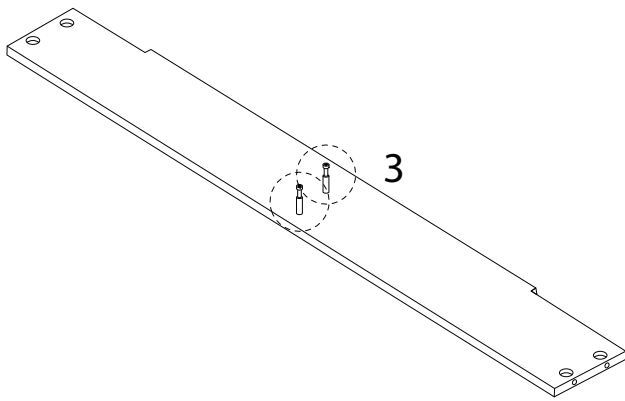
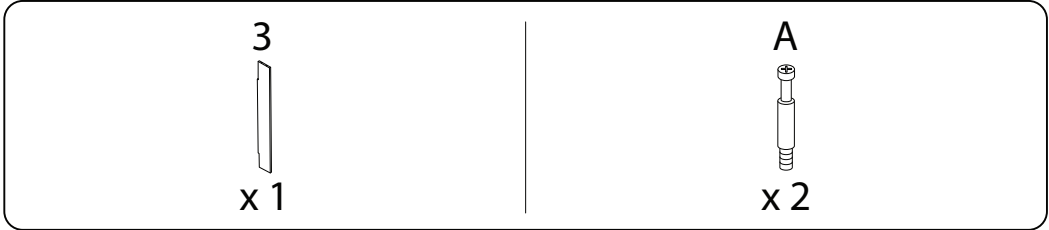
1
x1

2
x1

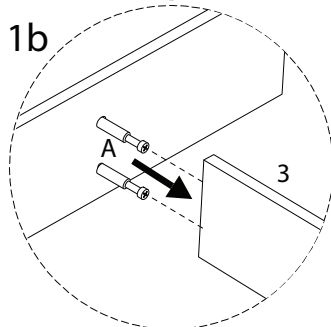
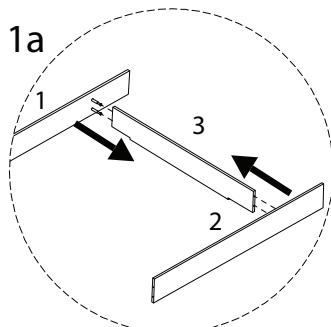
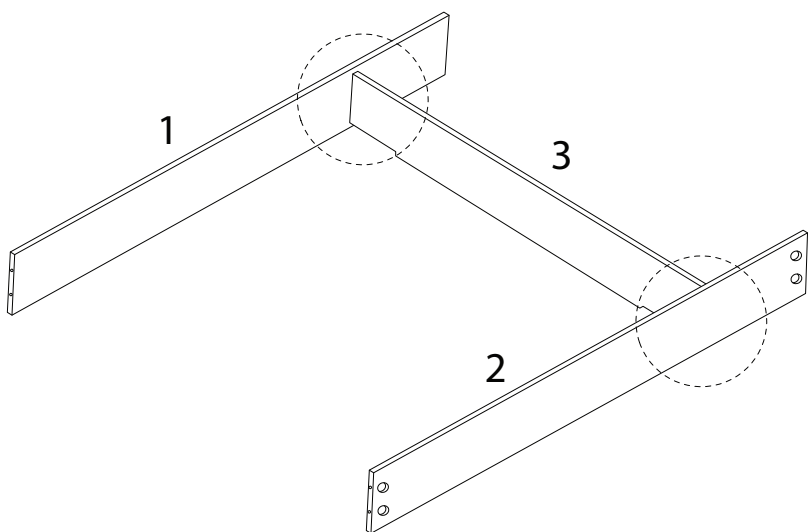
A
x4



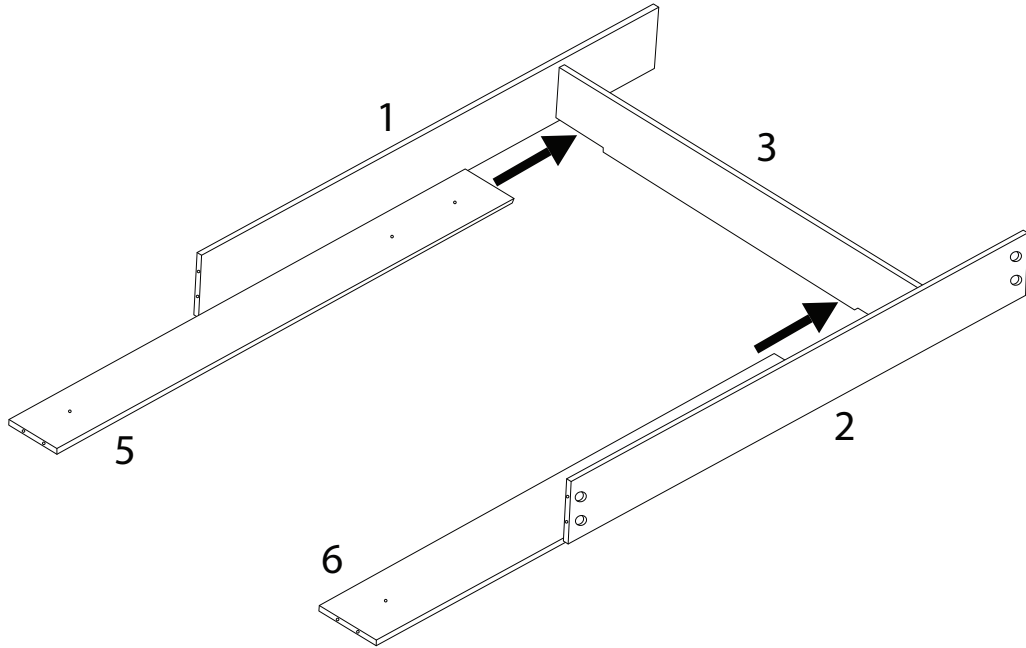
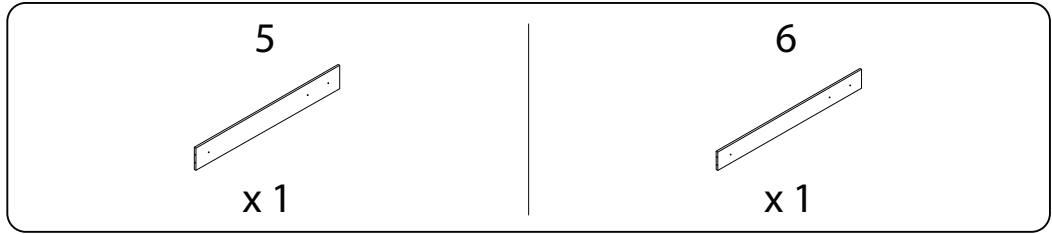
3



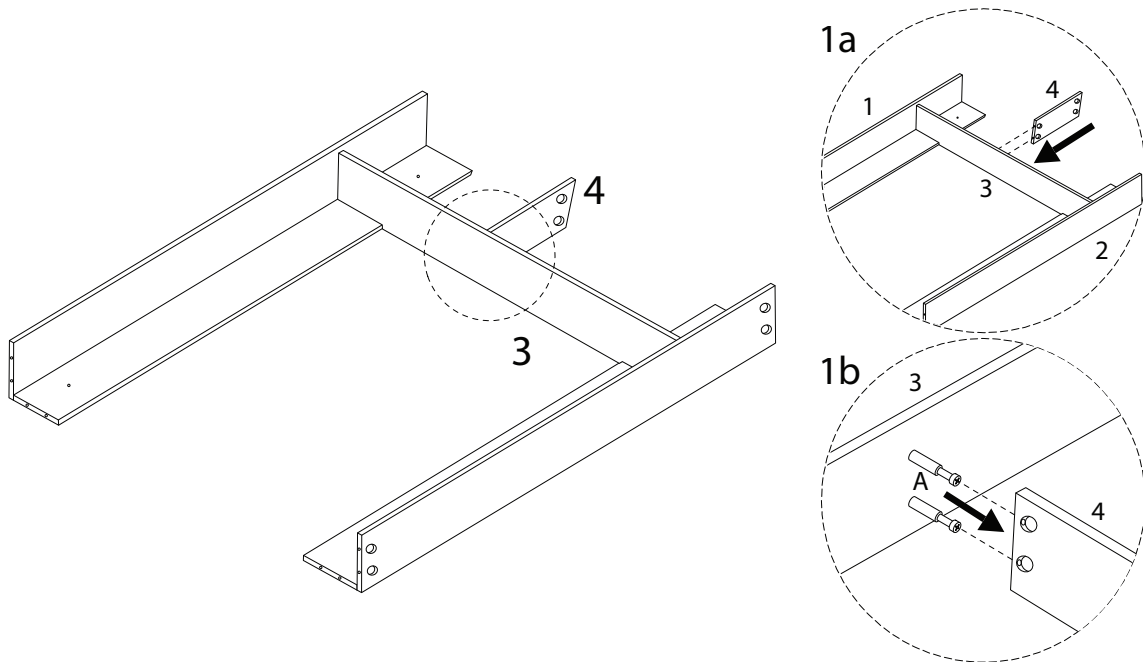
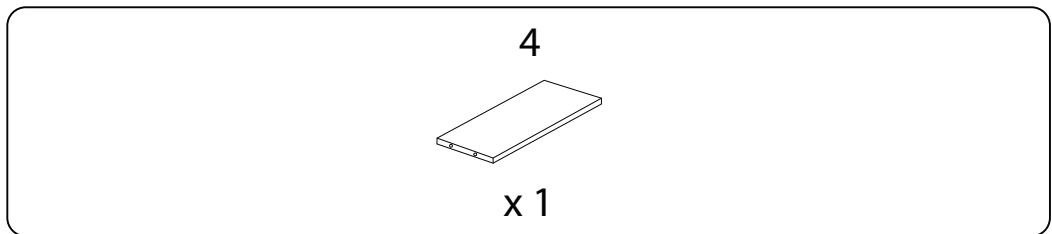
4



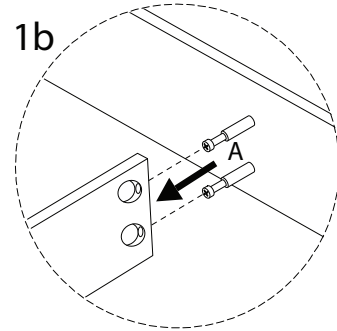
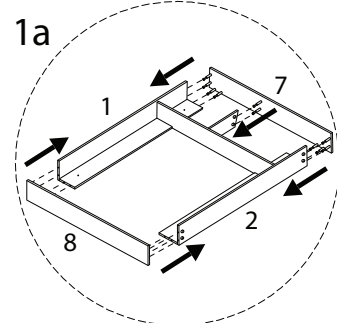
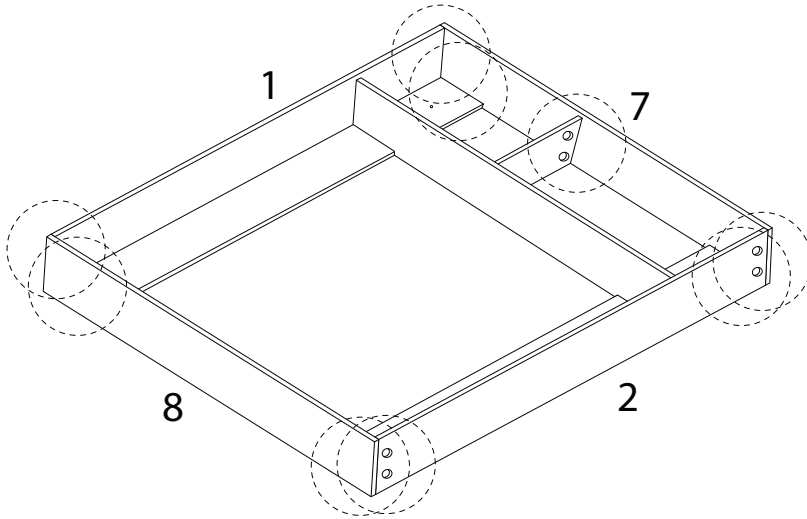
5



6



7

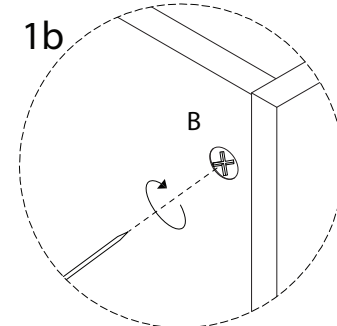
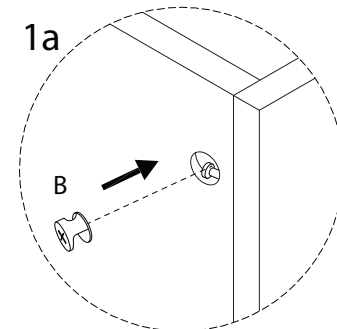
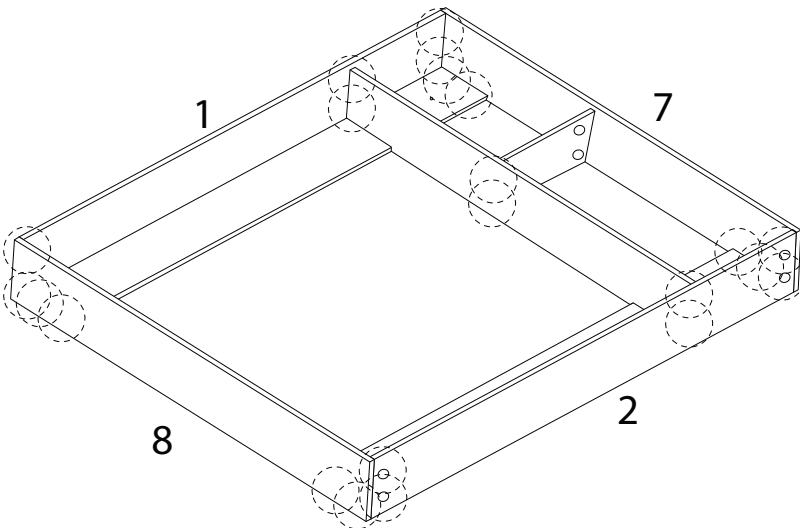


8

B



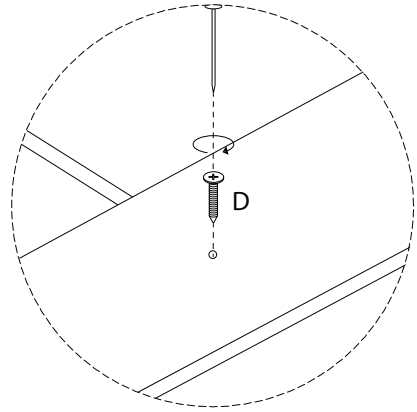
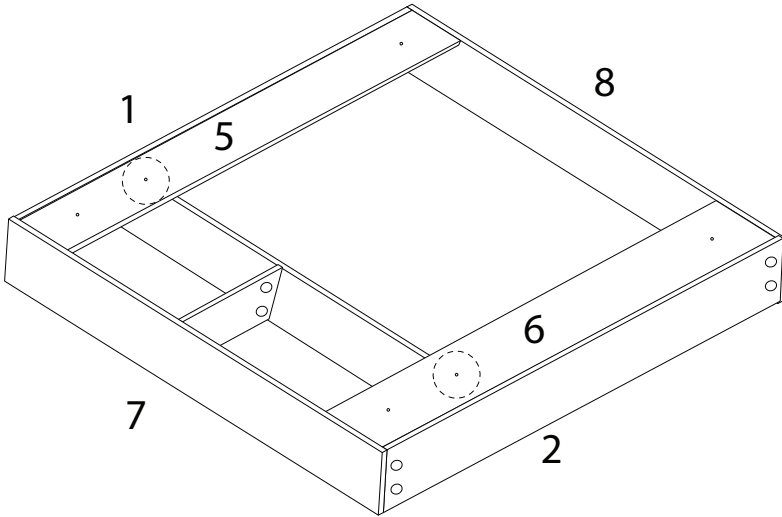
x 24



9

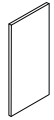
D

M4
x
24
x 2



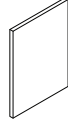
10

9



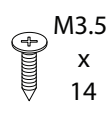
x 1

10



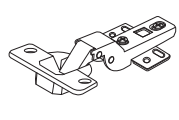
x 1

C

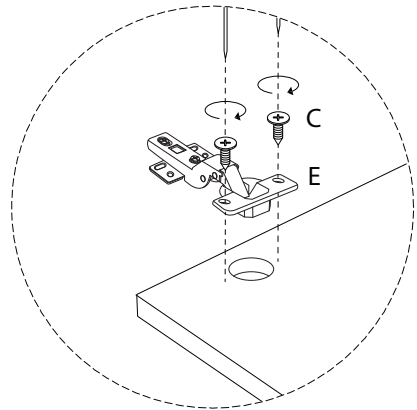
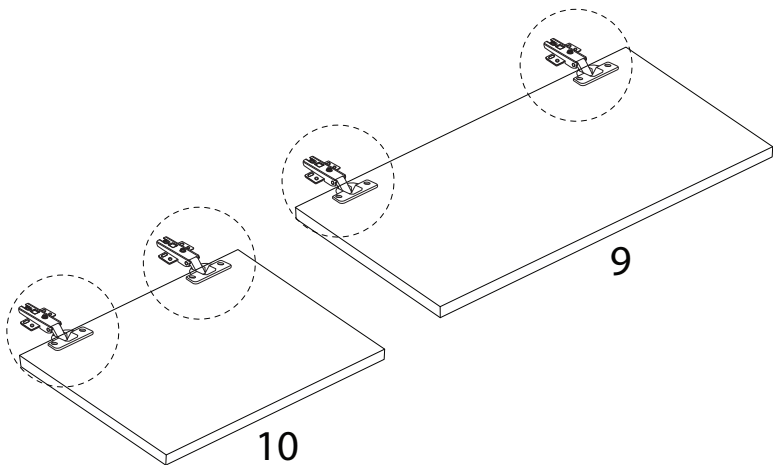


x 8

E



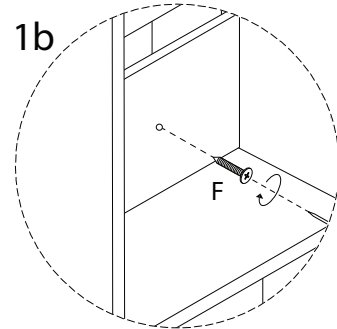
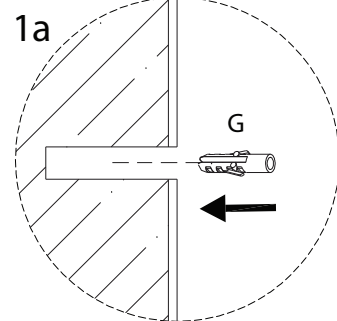
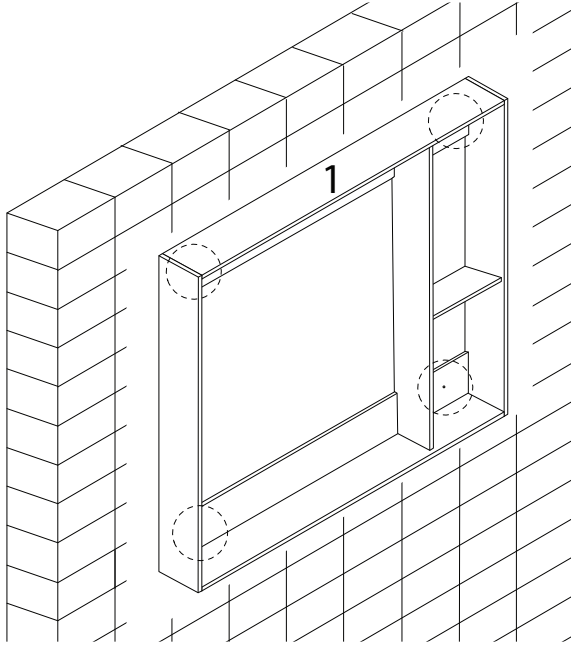
x 4



11

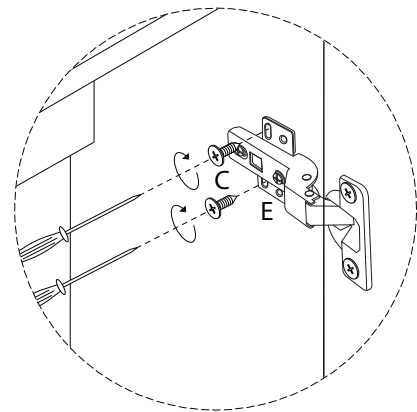
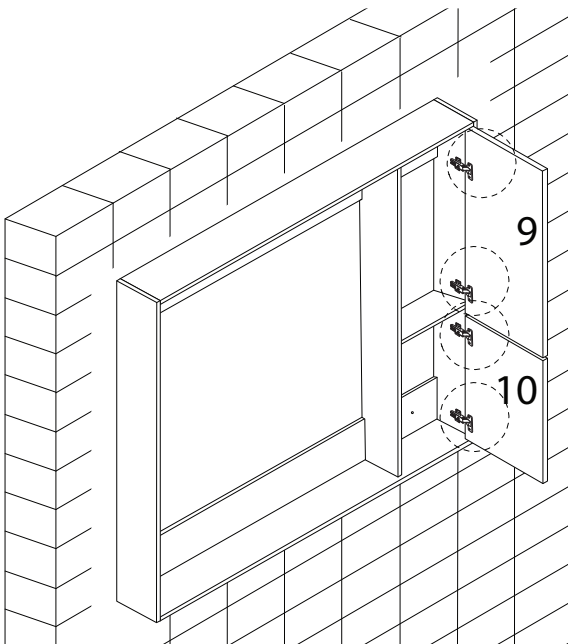
F
M4
x
39
x 4

G
x 4



12

C
M3.5
x
14
x 8

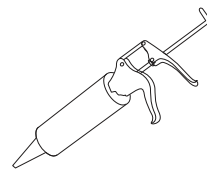
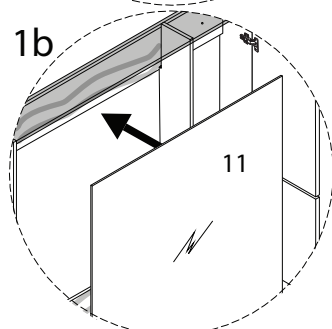
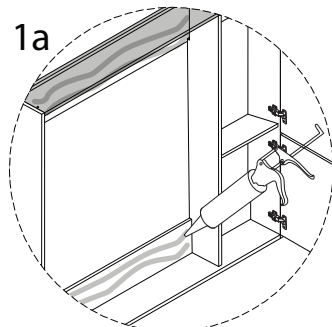
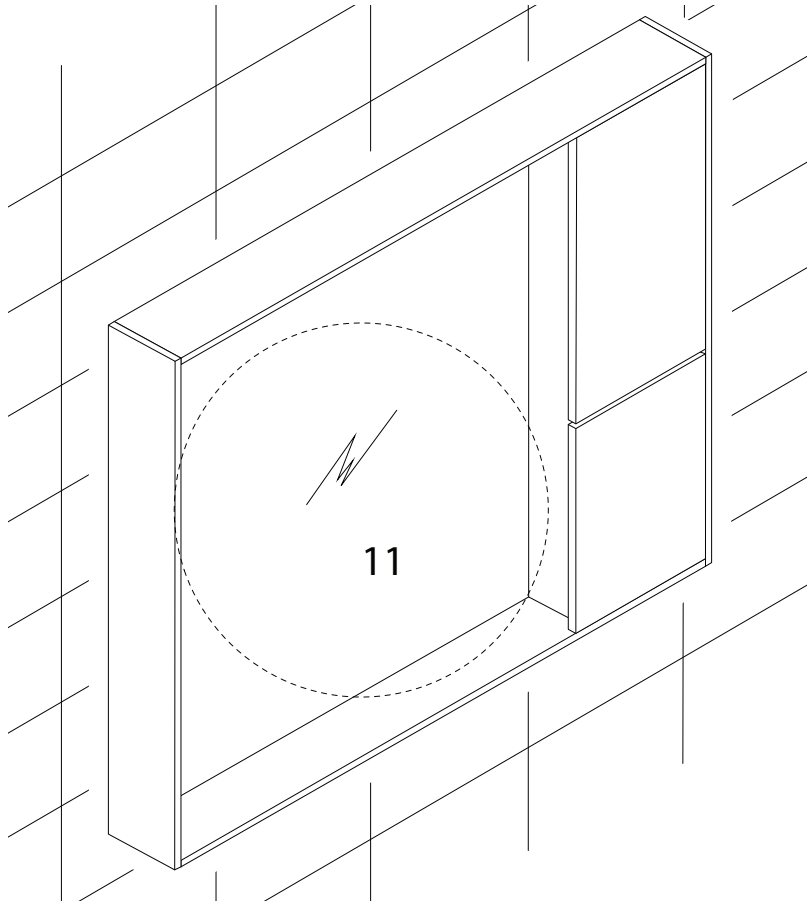


13

11



x 1



14

