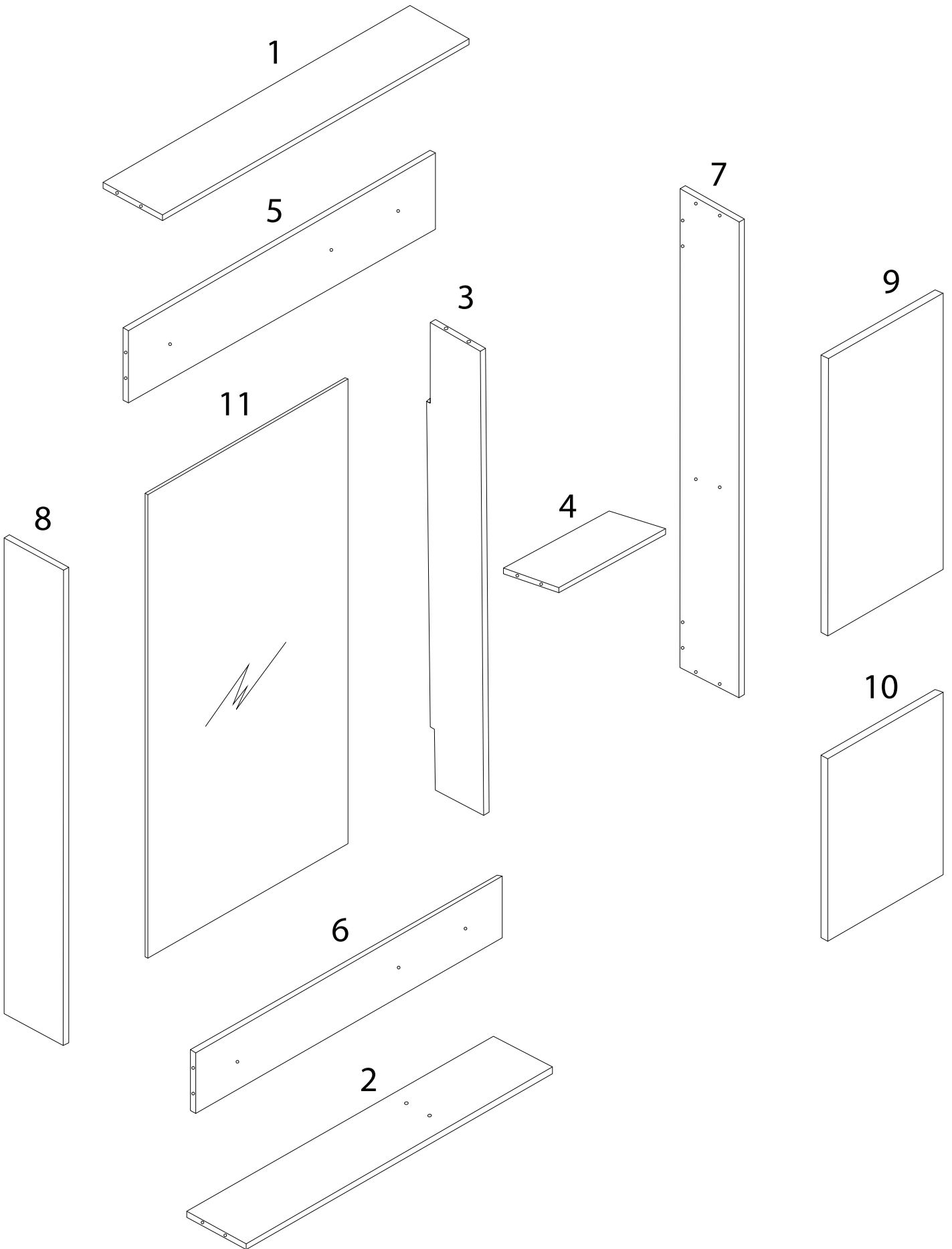
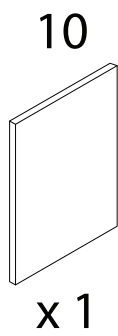
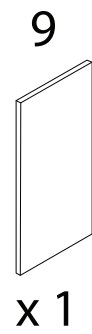
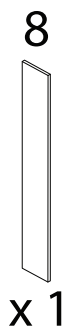
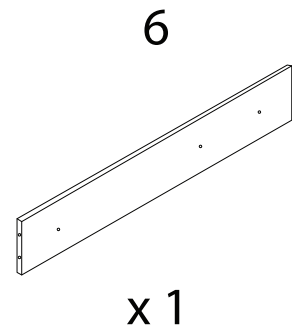
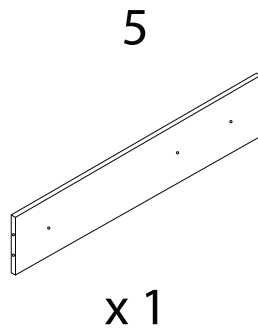
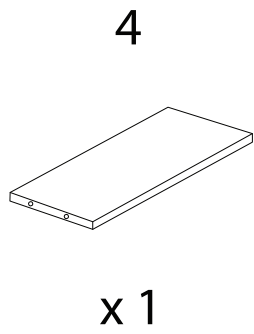
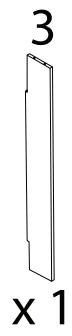
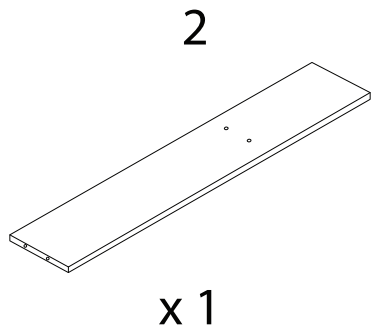
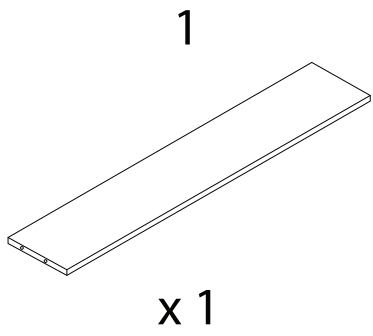


Diagram illustrating assembly steps and safety warnings:

- Step 1:** Shows a screwdriver and a power drill. A warning triangle with an exclamation mark is positioned above this step.
- Step 2:** Shows a rectangular block being placed on a surface. A warning triangle with an exclamation mark is positioned above this step.
- Time:** A clock icon indicates a duration of **90'** (90 minutes).
- Personnel:** A person icon indicates that **1** person is required for the assembly.



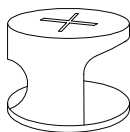


A



x 24

B



x 24

C



M3.5
x
14

x 16

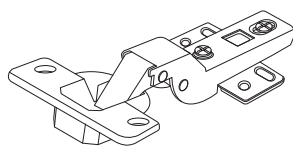
D



M4
x
24

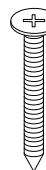
x 2

E



x 4

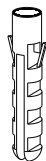
F



M4
x
39

x 4

G



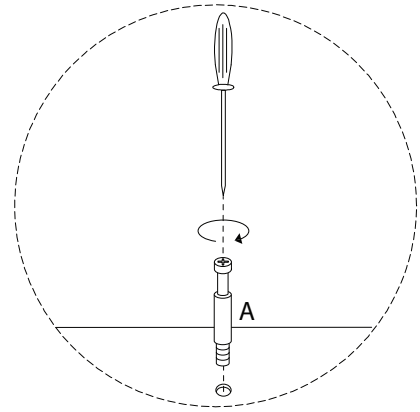
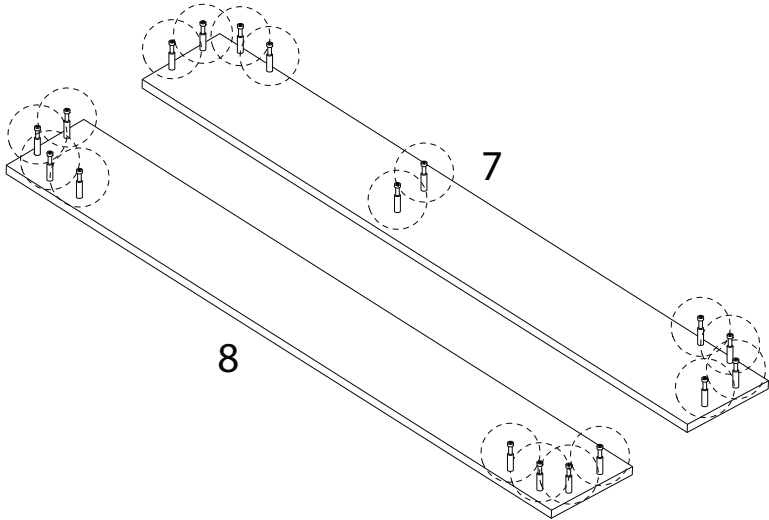
x 4

1

7
x1

8
x1

A
x18

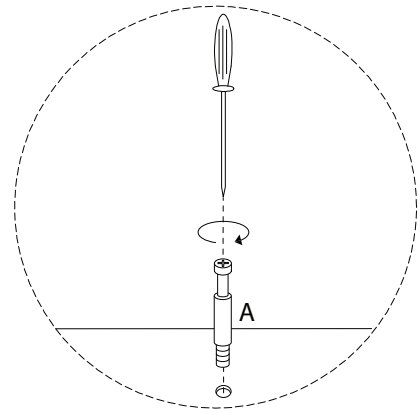
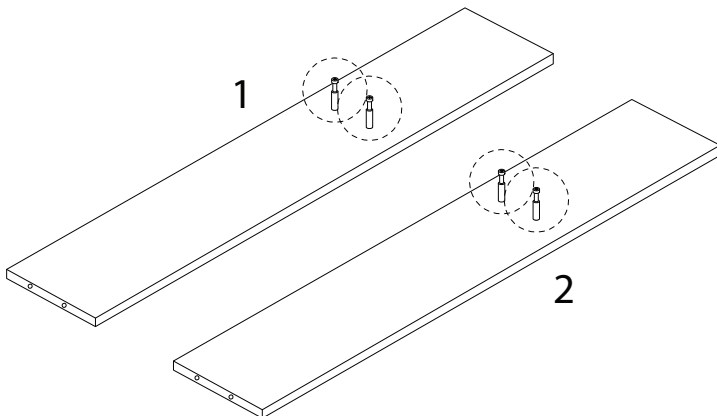


2

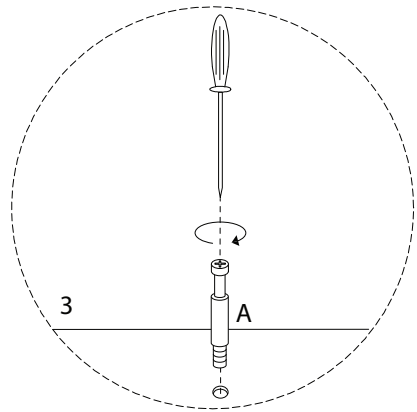
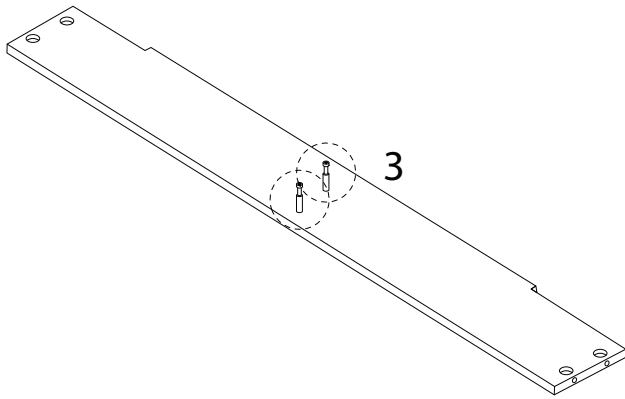
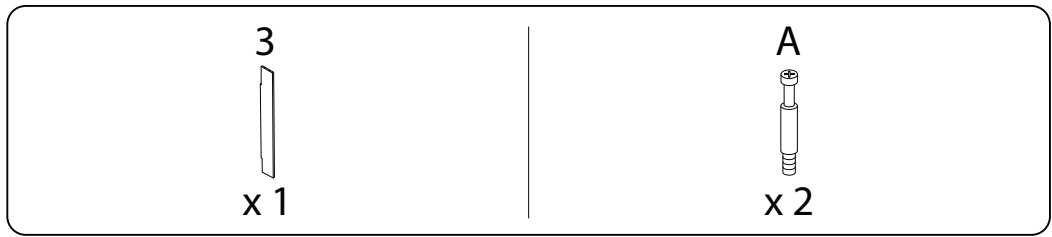
1
x1

2
x1

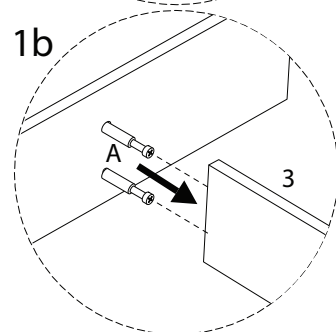
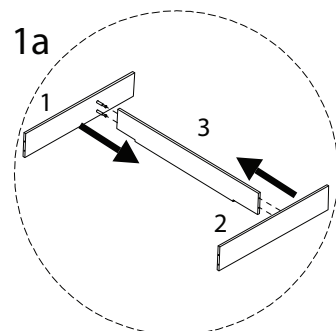
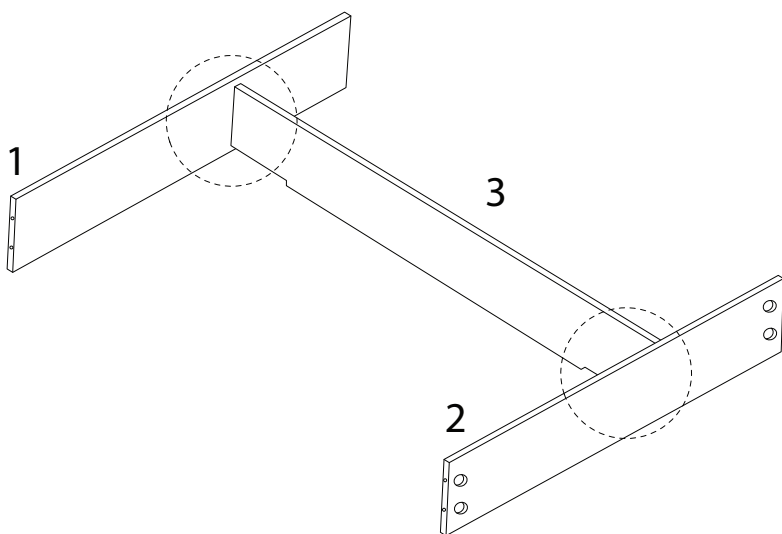
A
x4



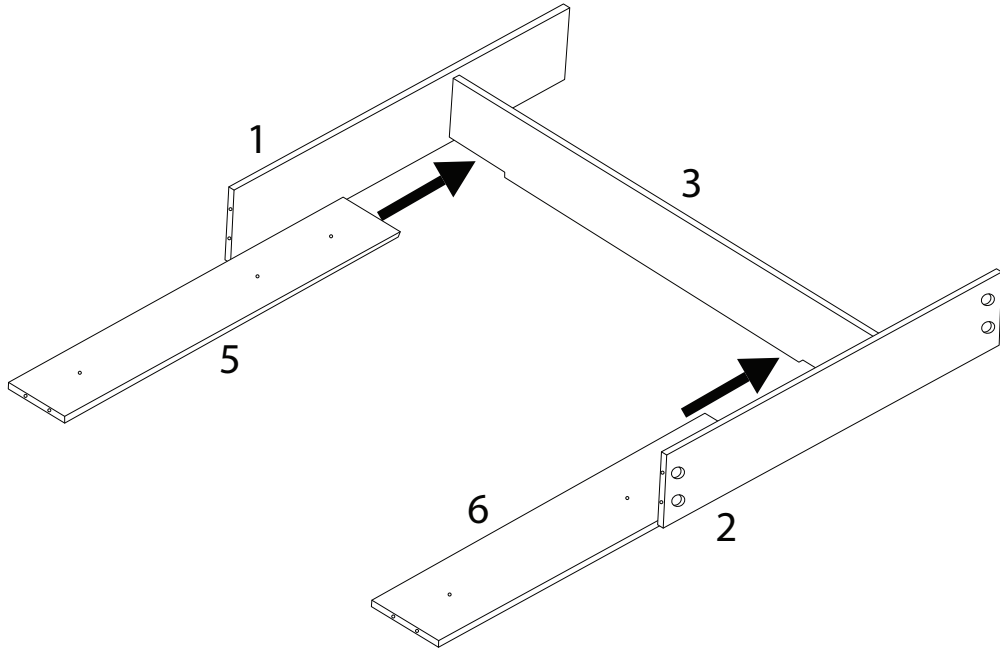
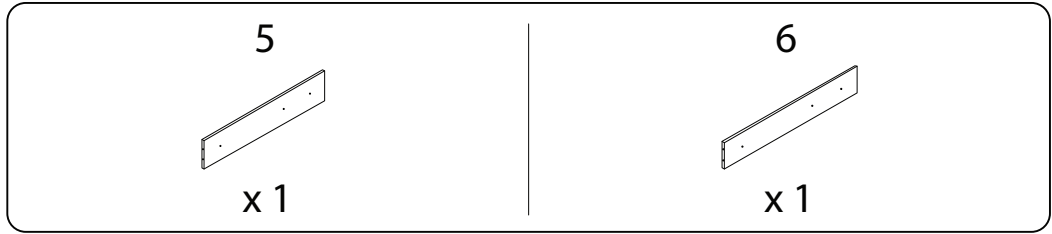
3



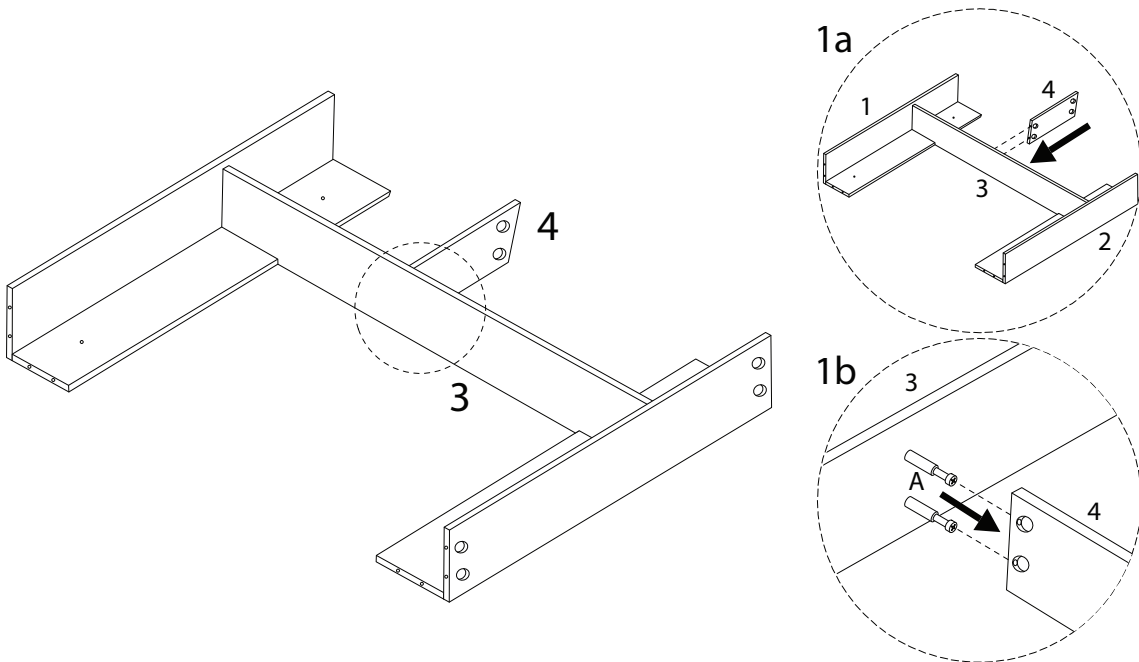
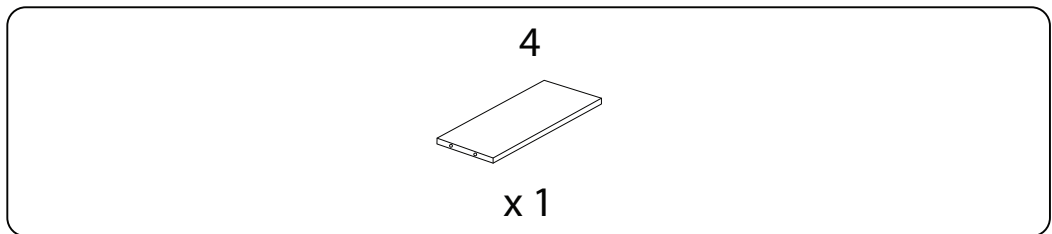
4



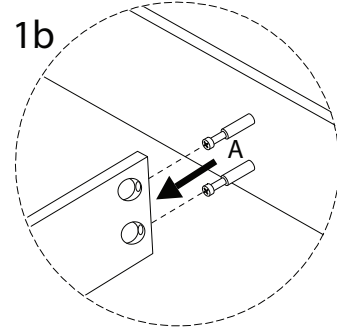
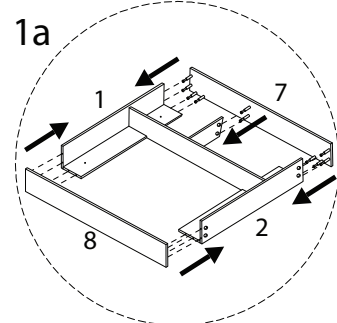
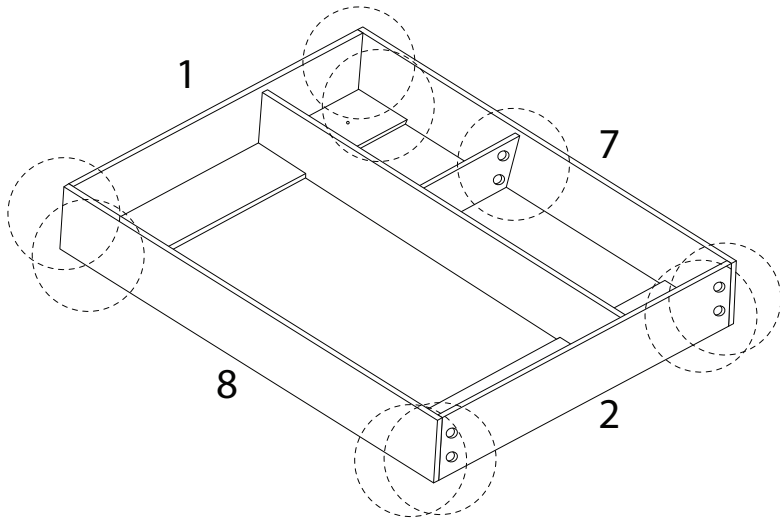
5



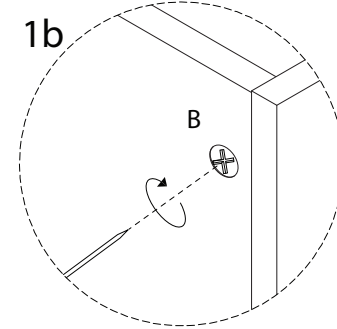
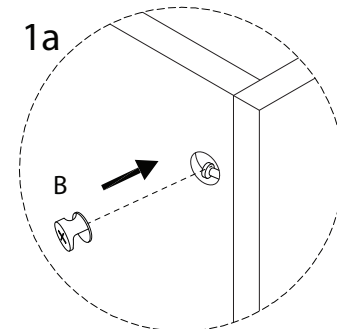
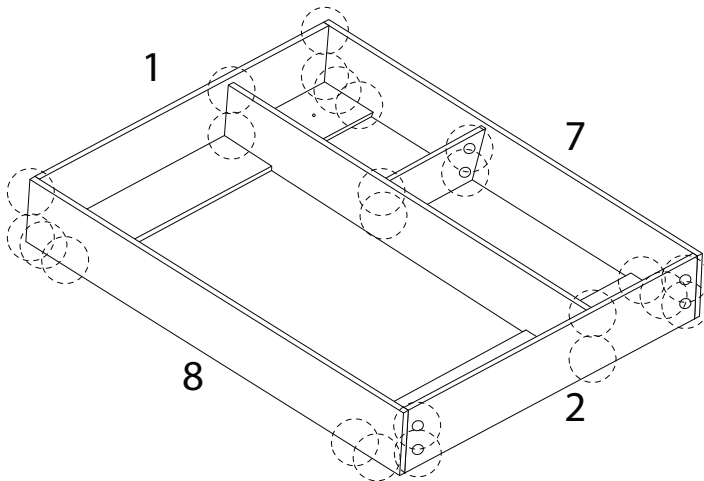
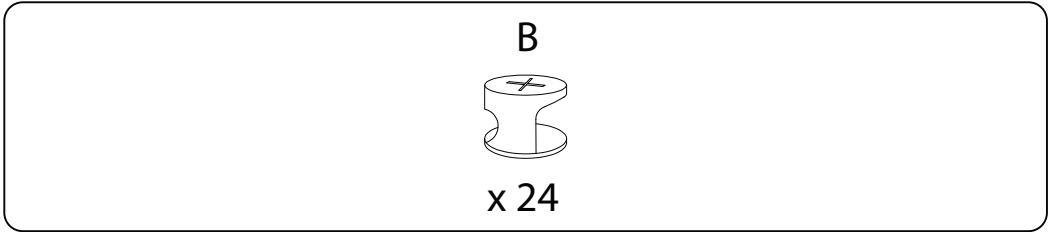
6



7

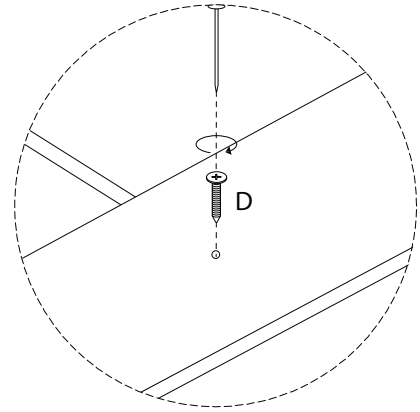
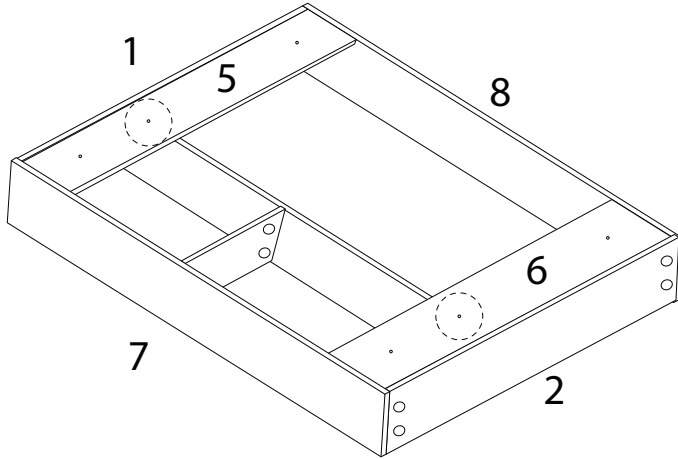


8



9

D
M4
x
24
x 2



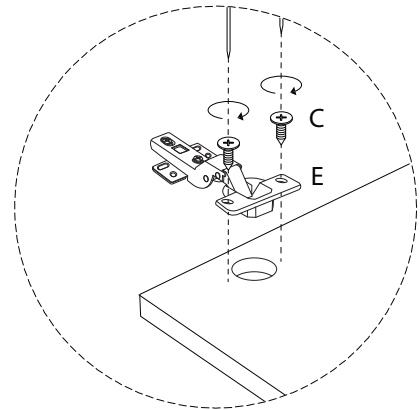
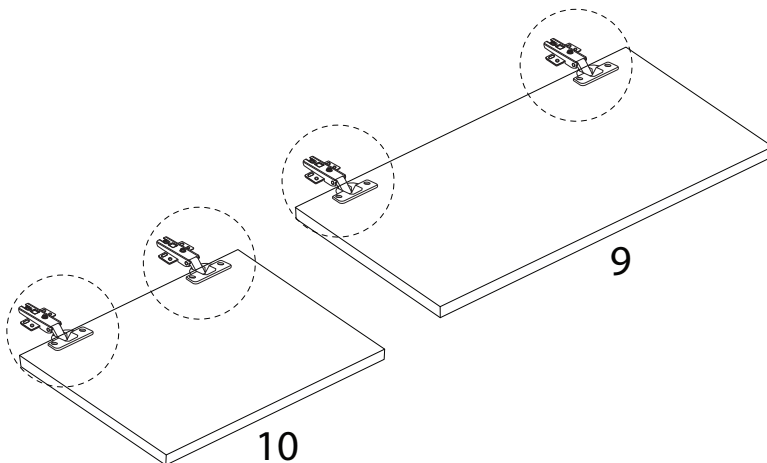
10

9
x 1

10
x 1

C
M3.5
x
14
x 8

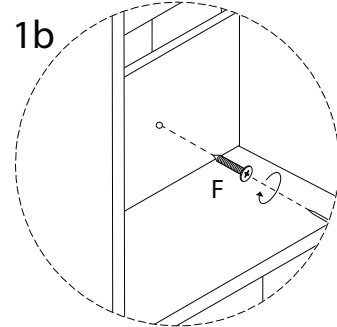
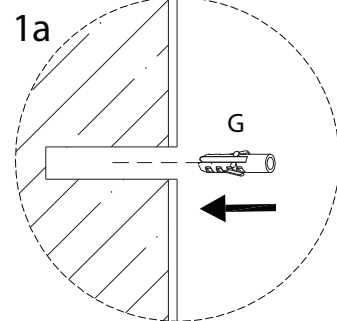
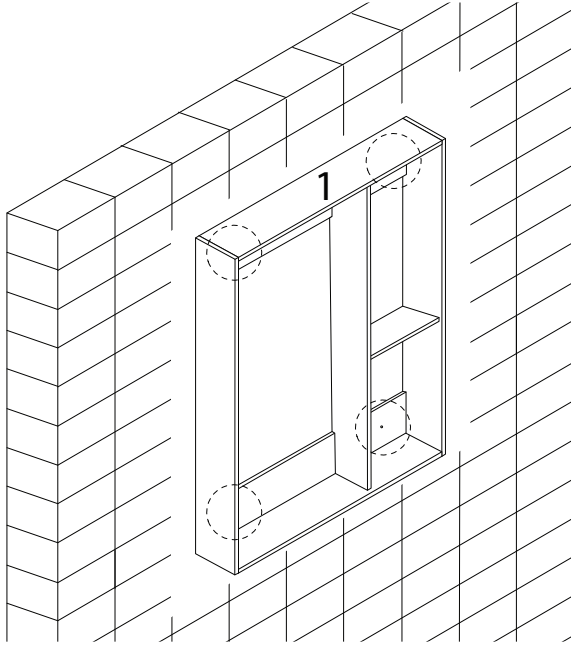
E
x 4



11

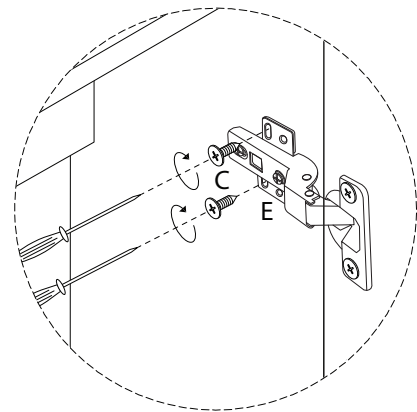
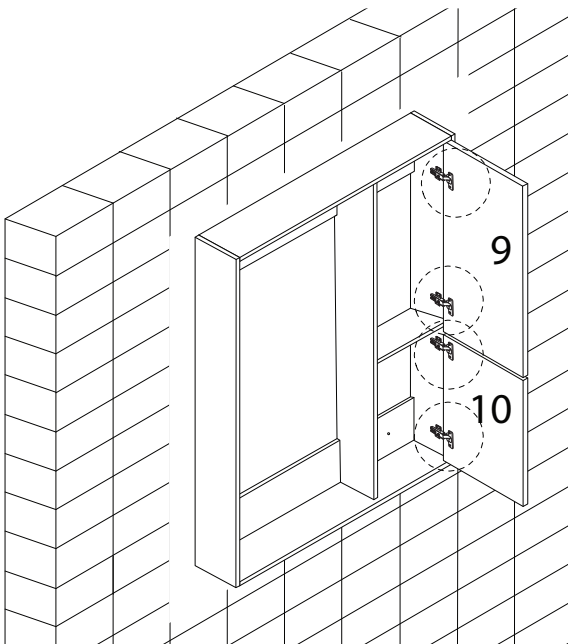
F
M4
x
39
x 4

G
x 4



12

C
M3.5
x
14
x 8

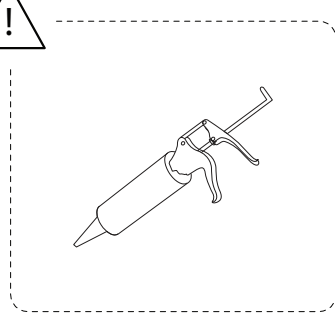
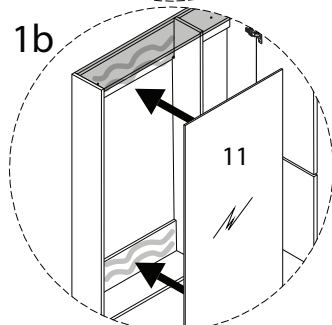
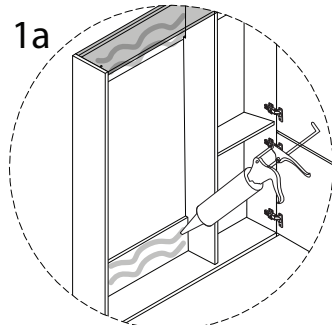
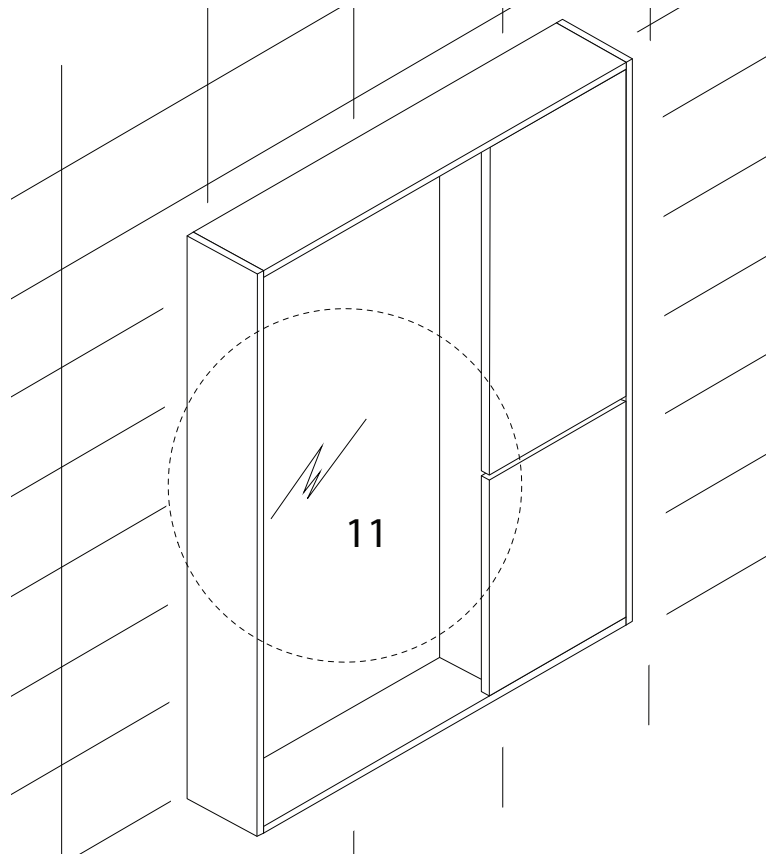


13

11



x 1



14

