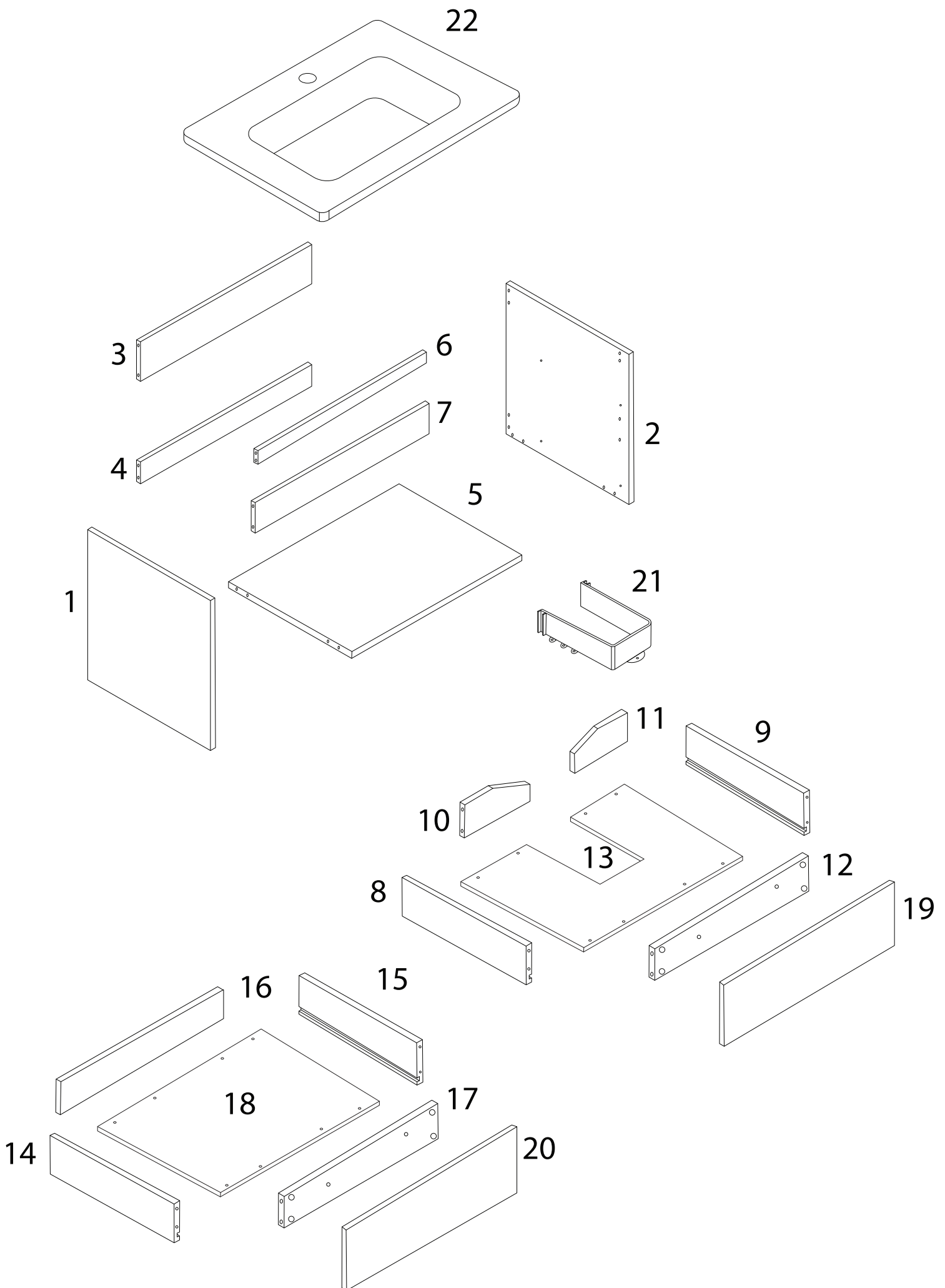
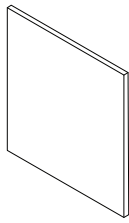


Diagram illustrating assembly steps and safety warnings:

- Step 1:** Shows a screwdriver and a power drill. A warning triangle with an exclamation mark is positioned to the right. A clock icon indicates a time requirement of **90'**.
- Step 2:** Shows a rectangular block being placed on a surface and another block being secured with a screw. A warning triangle with an exclamation mark is positioned to the right. A person icon indicates that **2** people are required for this step.

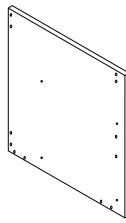


1



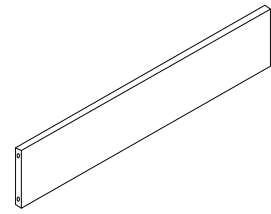
x 1

2



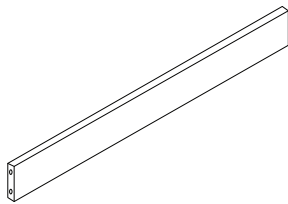
x 1

3



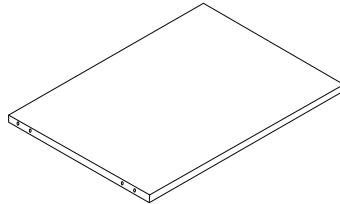
x 1

4



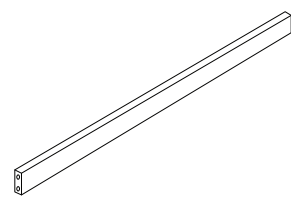
x 1

5



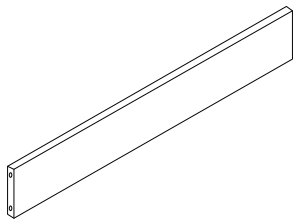
x 1

6



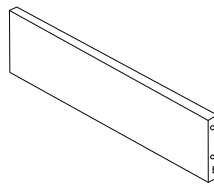
x 1

7



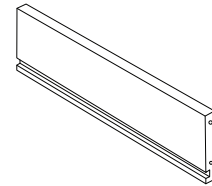
x 1

8



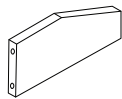
x 1

9



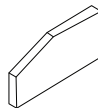
x 1

10



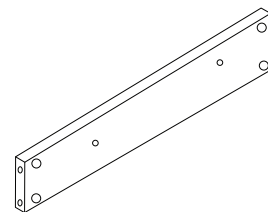
x 1

11



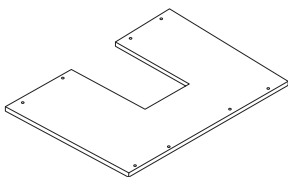
x 1

12



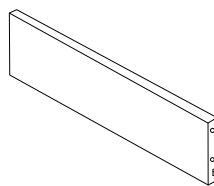
x 1

13



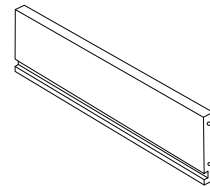
x 1

14



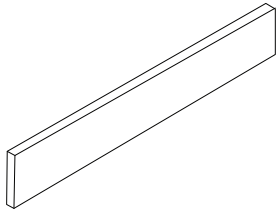
x 1

15



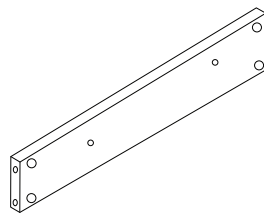
x 1

16



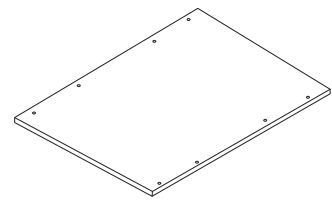
x 1

17



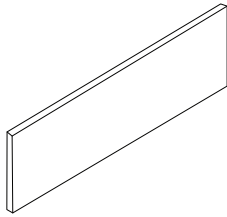
x 1

18



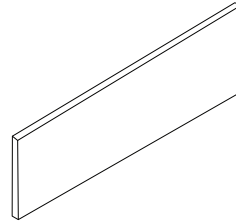
x 1

19



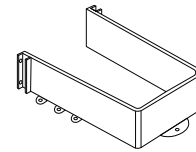
x 1

20



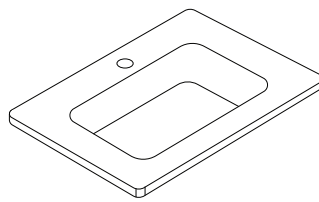
x 1

21



x 1

22



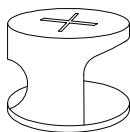
x 1

A



x 36

B



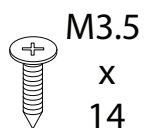
x 36

C



x 4

D



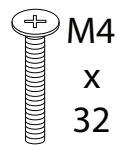
x 35

E



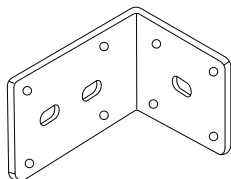
x 24

F



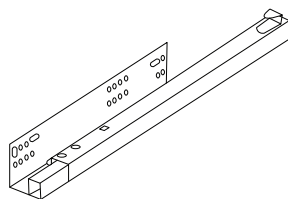
x 4

G



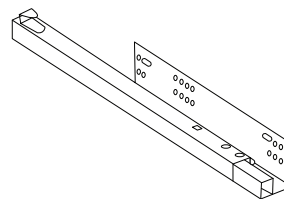
x 2

H



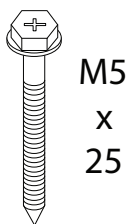
x 2

I



x 2

J



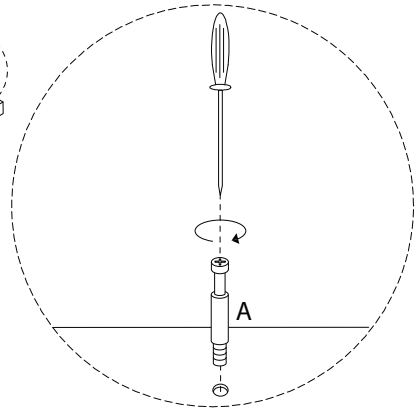
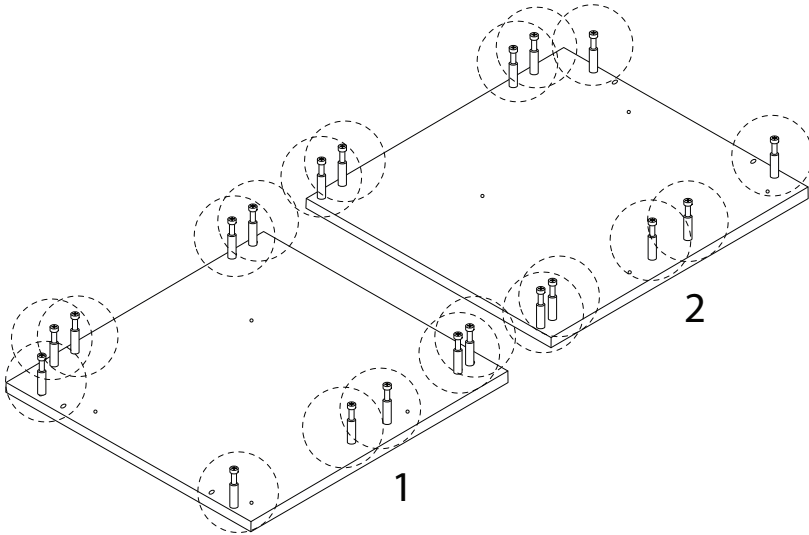
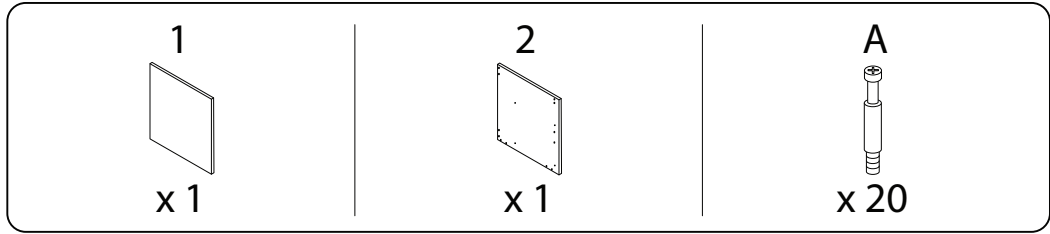
x 2

K

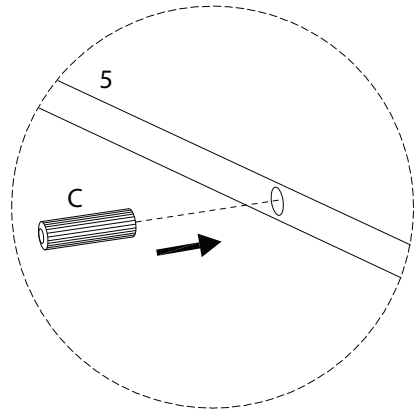
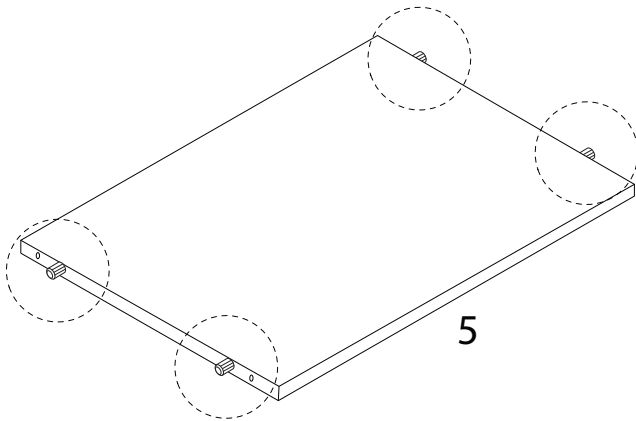
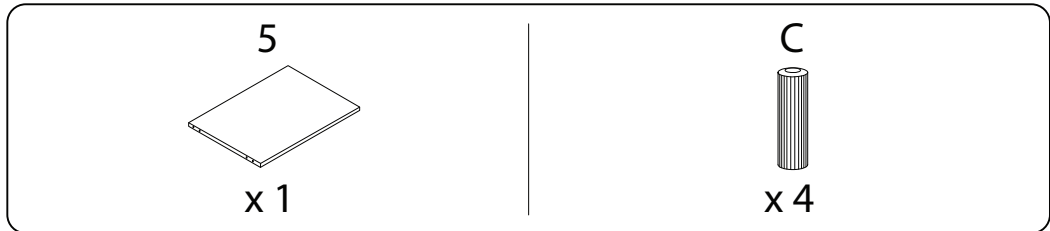


x 2

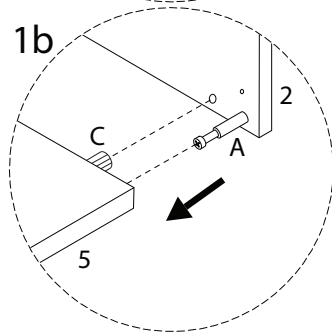
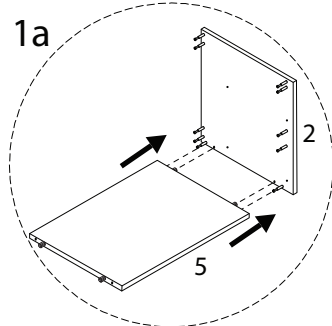
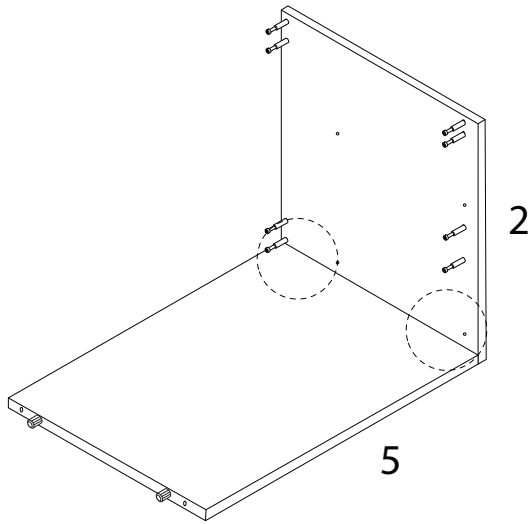
1



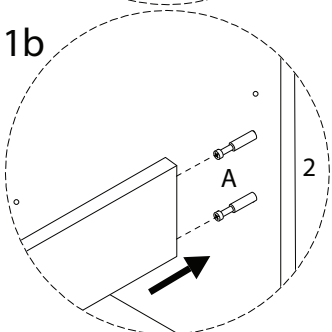
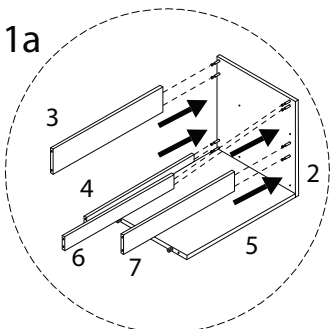
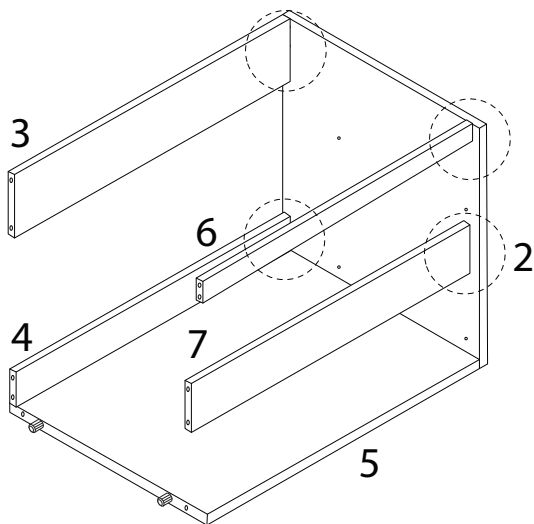
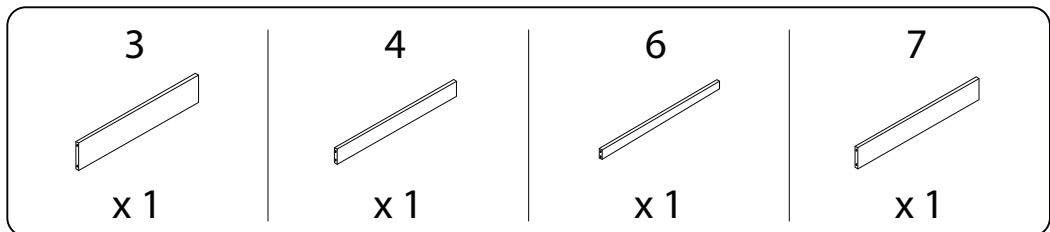
2



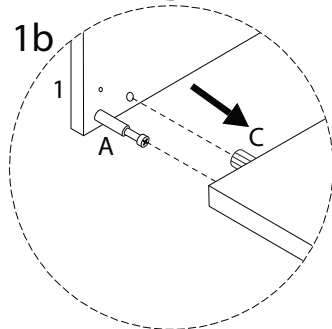
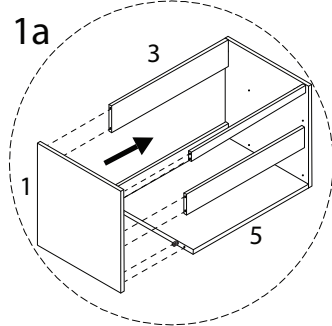
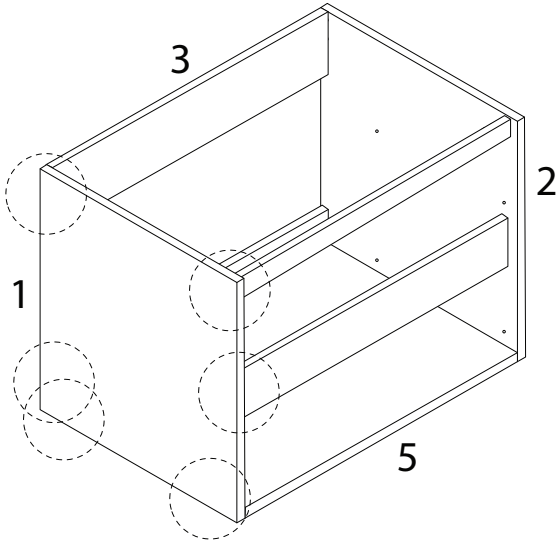
3



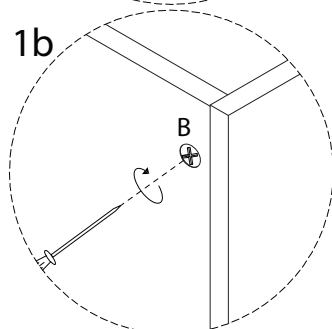
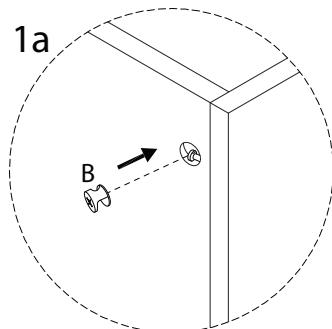
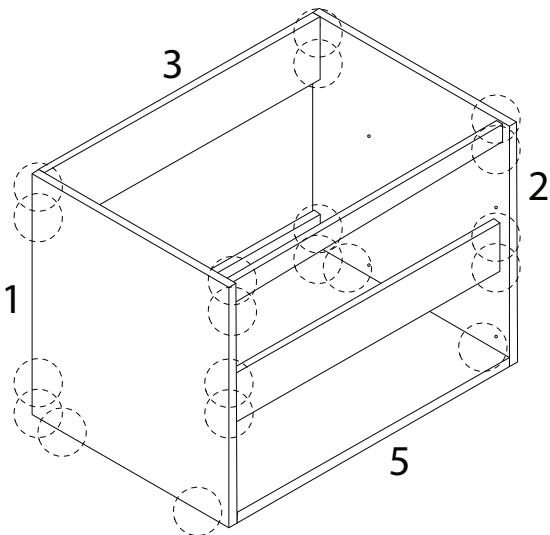
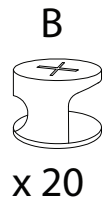
4



5

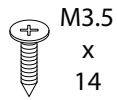


6



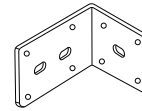
7

D

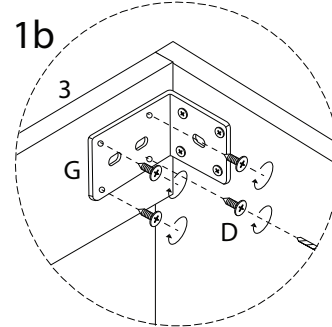
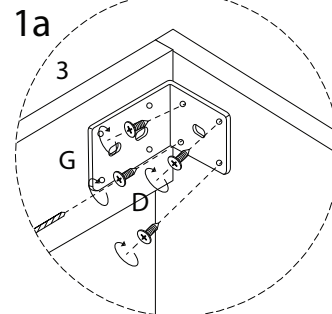
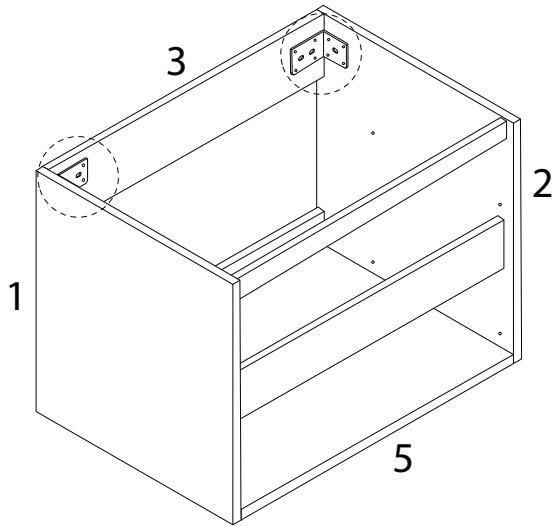


x 16

G

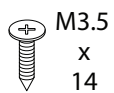


x 2



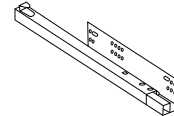
8

D

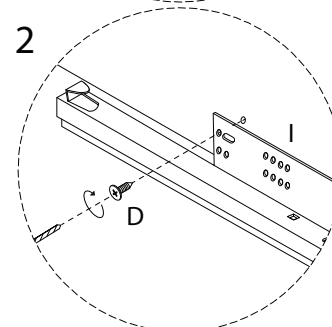
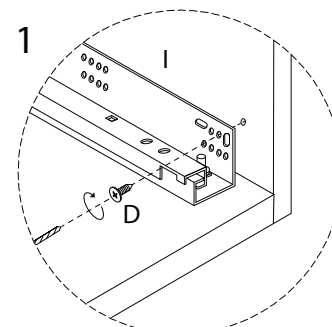
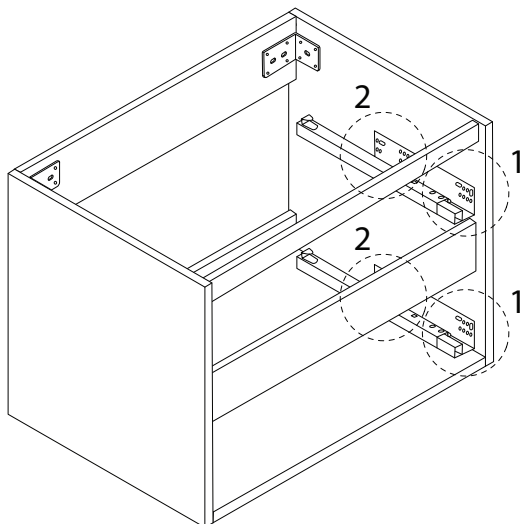


x 4

I

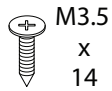


x 2



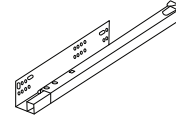
9

D

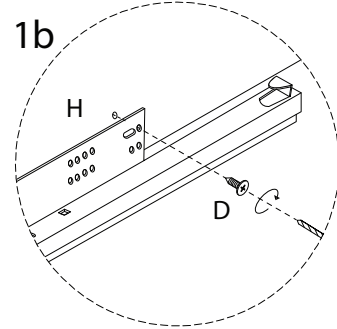
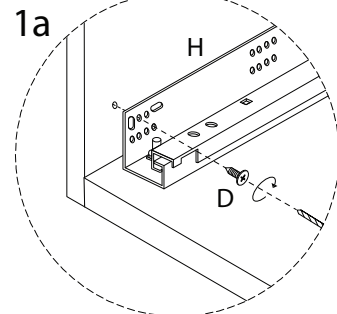
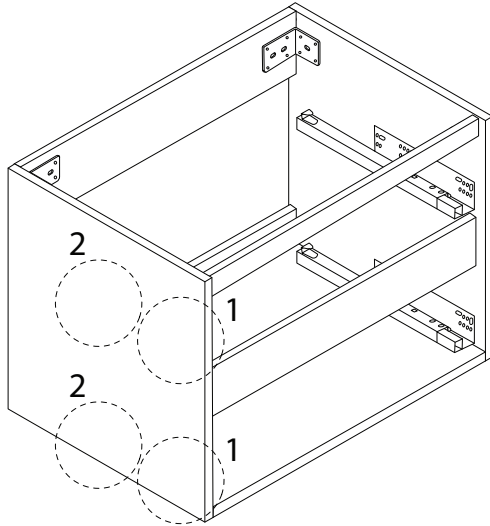


x 4

H

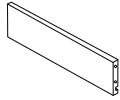


x 2



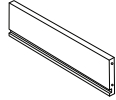
10

8



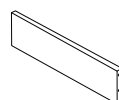
x 1

9



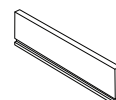
x 1

14



x 1

15

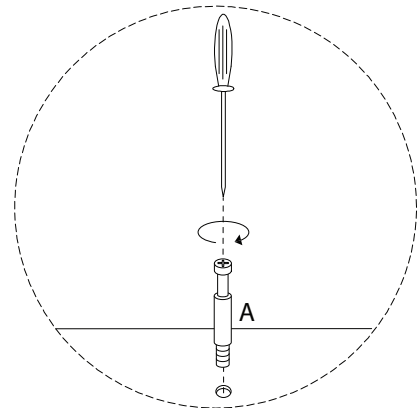
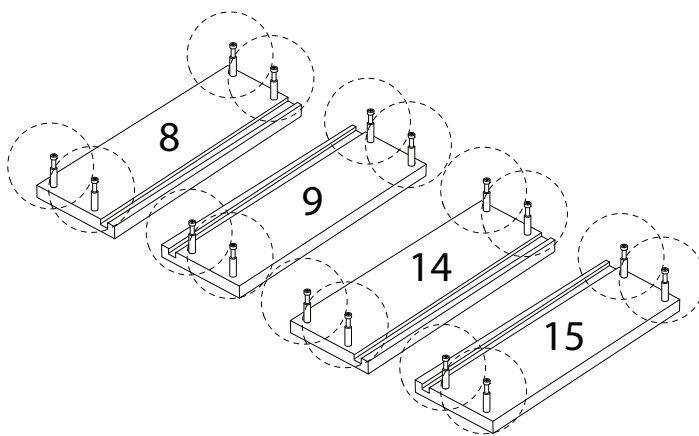


x 1

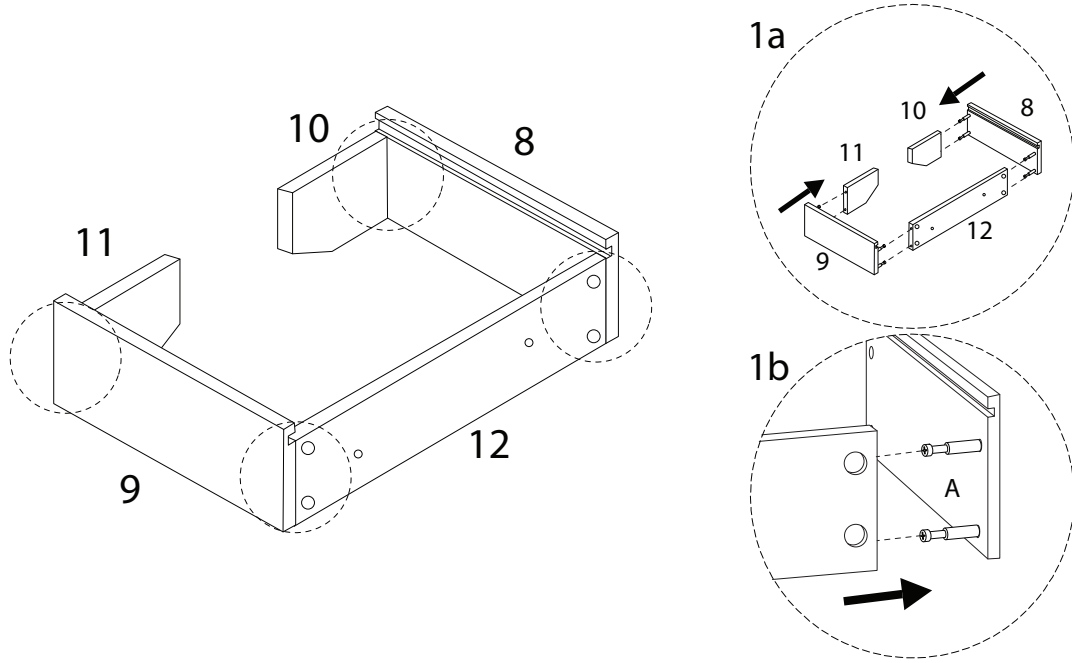
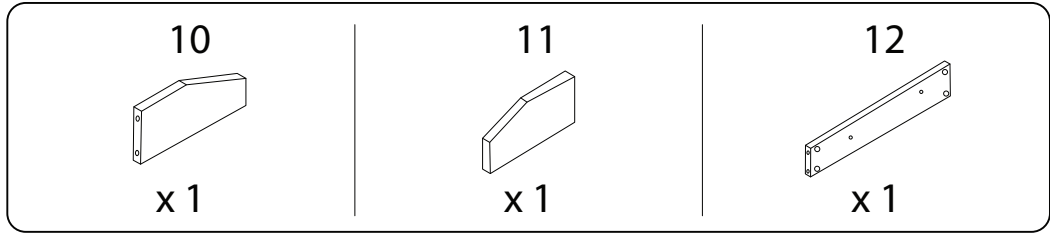
A



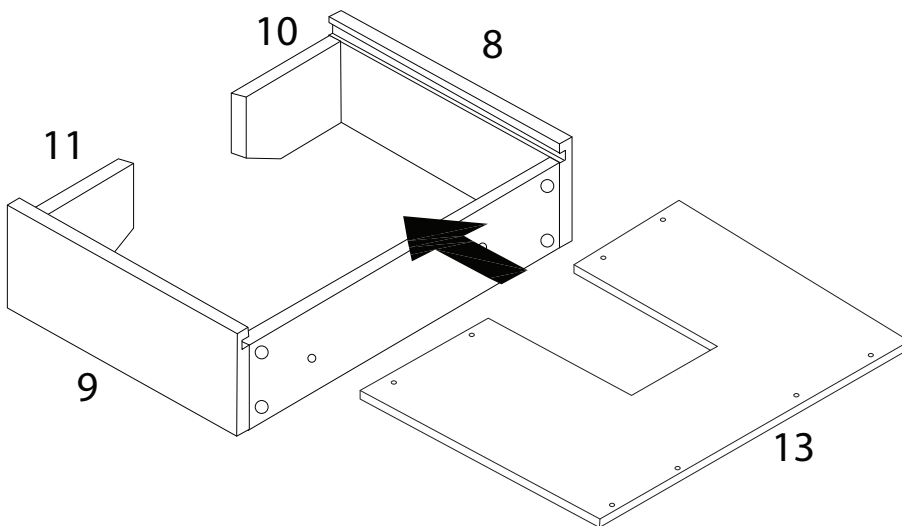
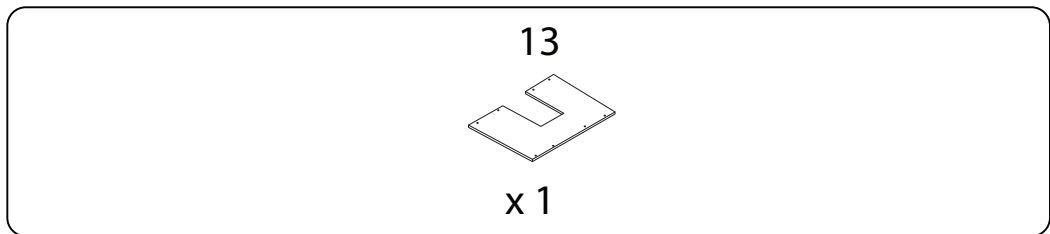
x 16



11

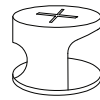


12

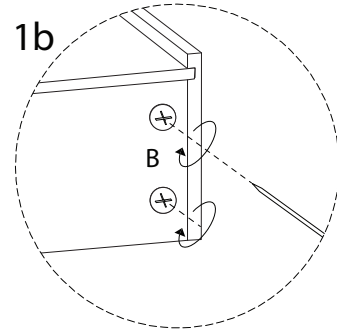
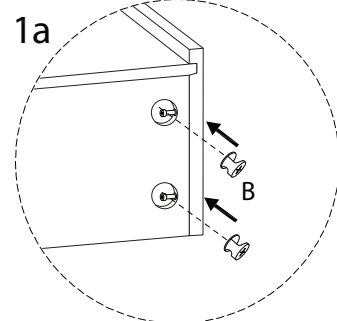
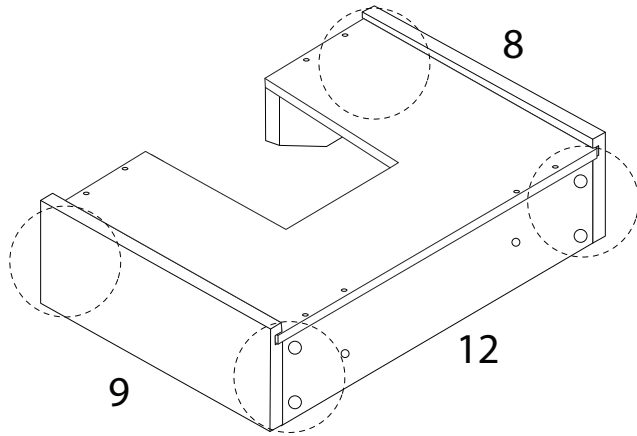


13

B



x 8

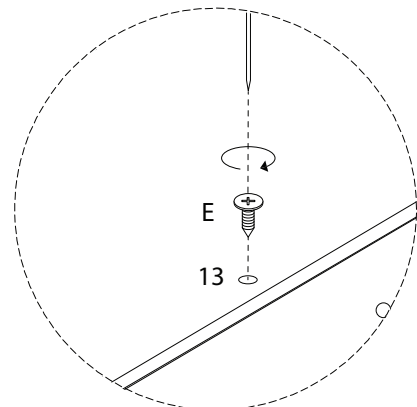
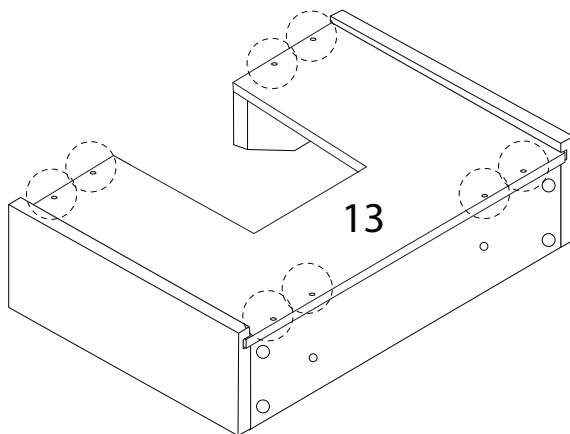


14

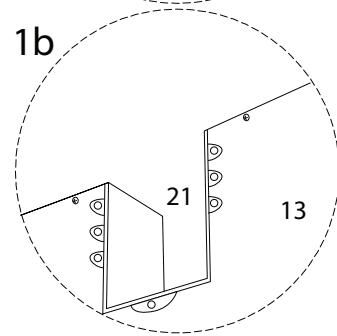
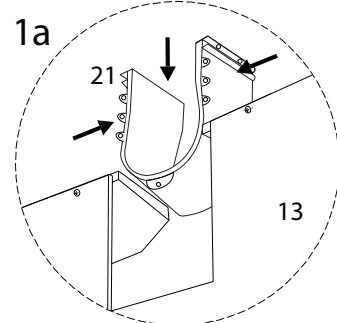
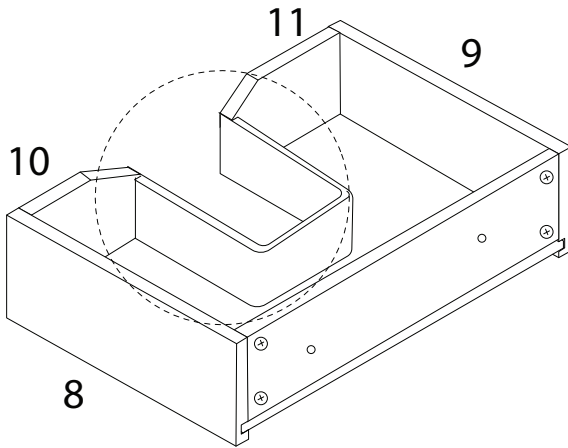
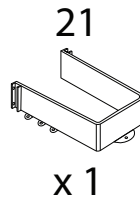
E



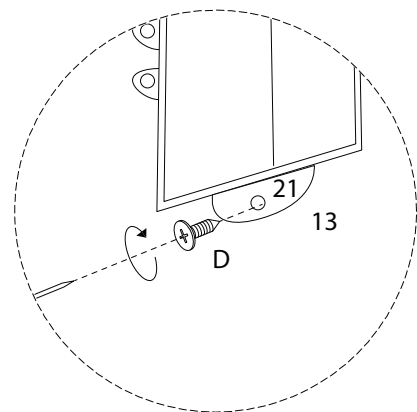
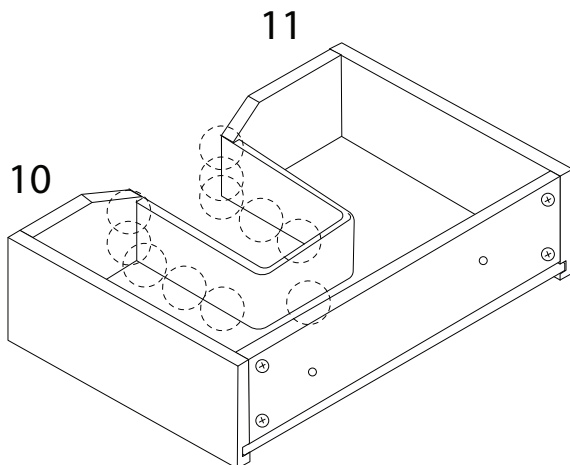
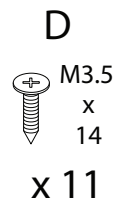
x 8



15

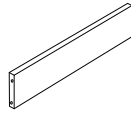


16



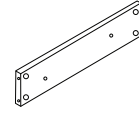
17

16

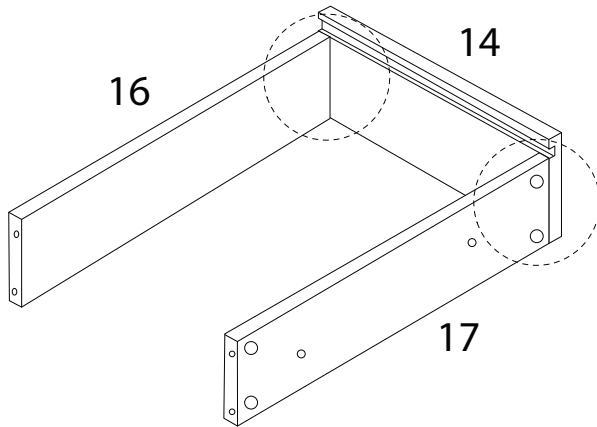


x 1

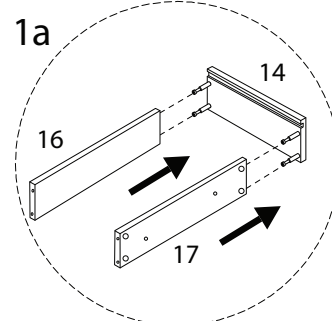
17



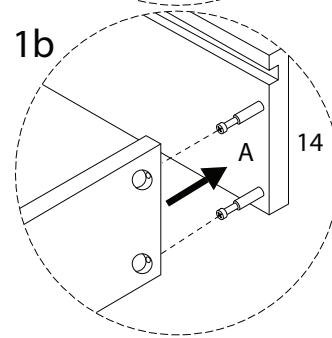
x 1



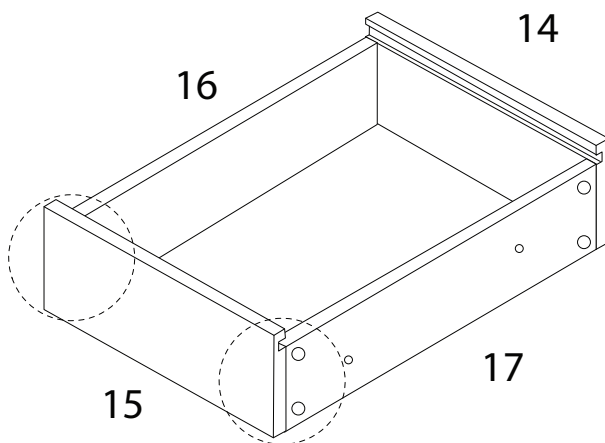
1a



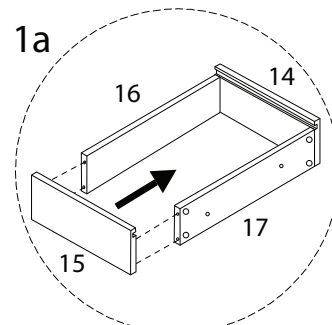
1b



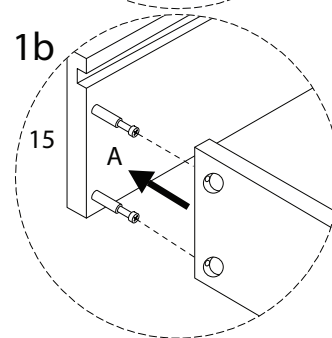
18



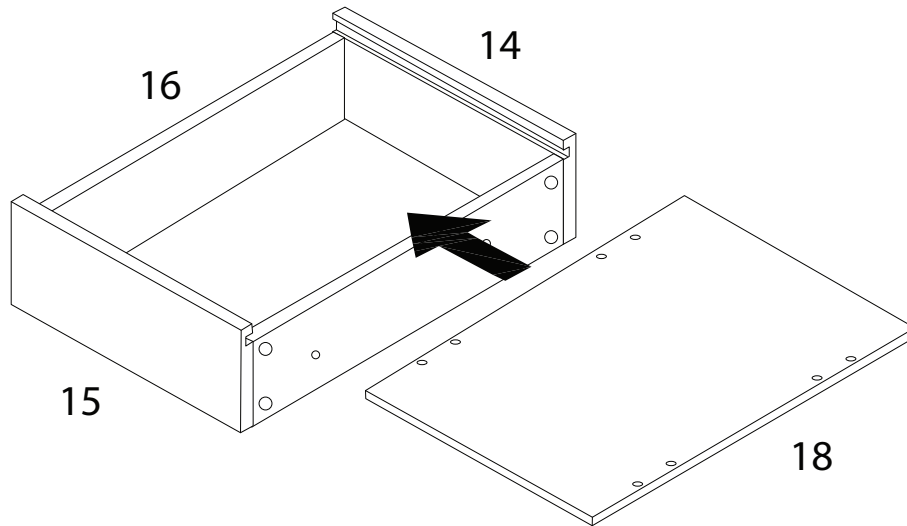
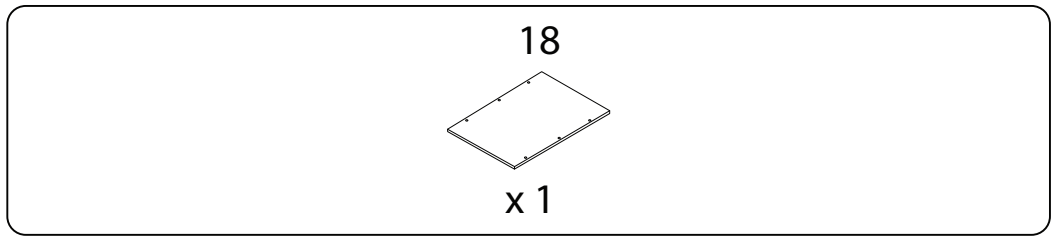
1a



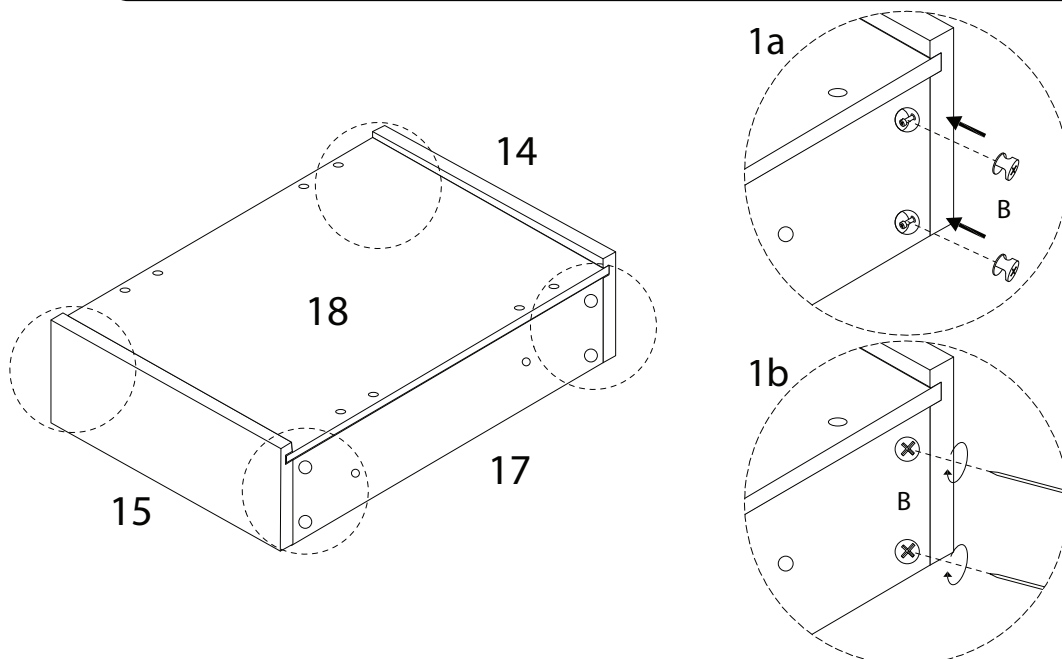
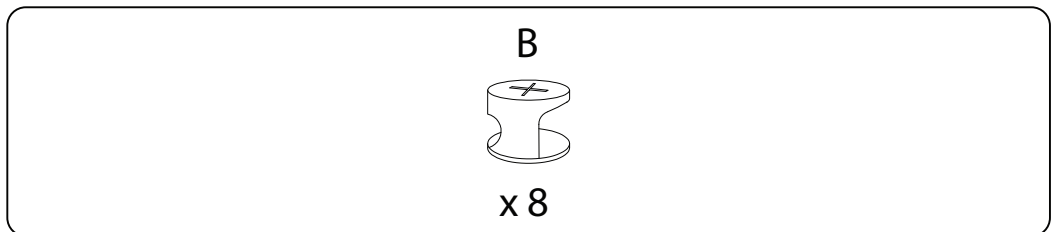
1b



19

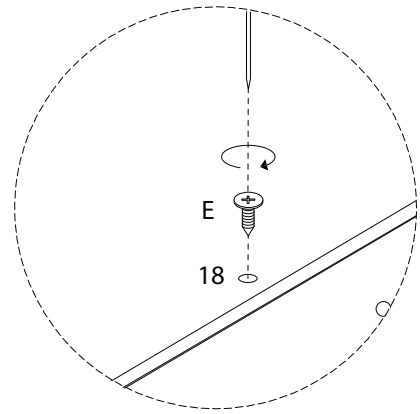
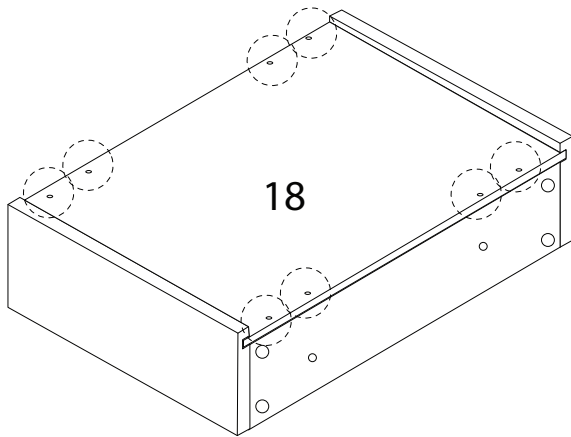


20



21

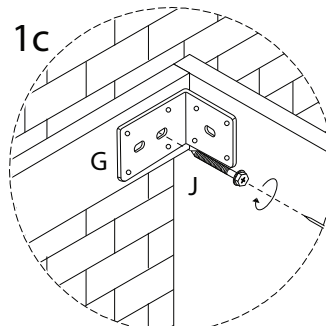
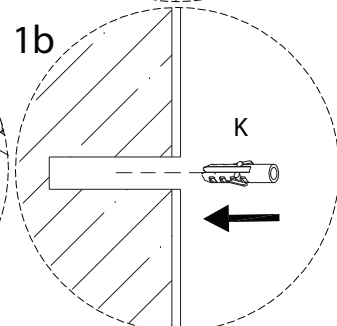
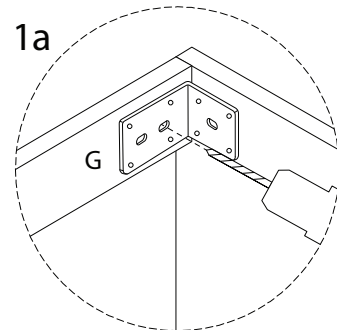
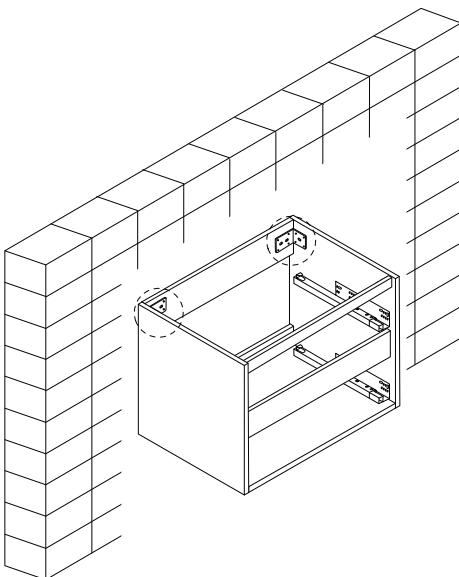
E
M4
x
24
x 8



22

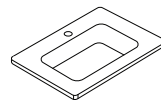
J
M5
x
25
x 2

K
x 2

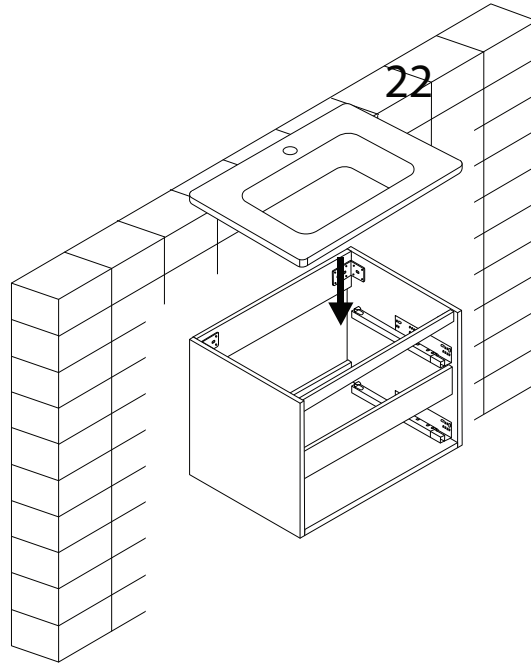


23

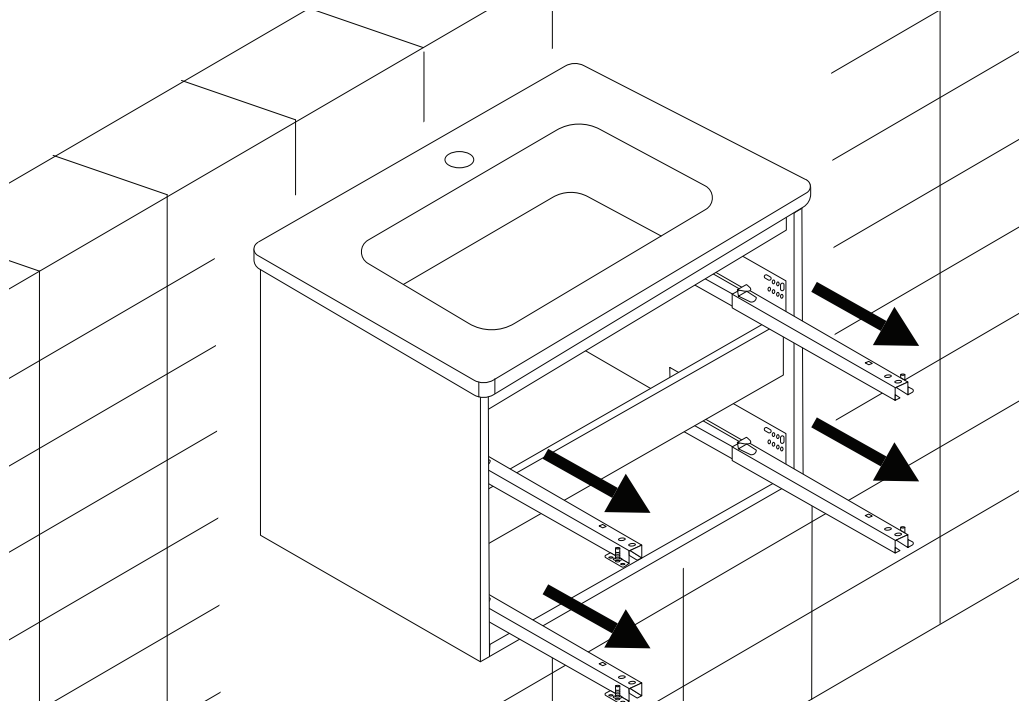
22



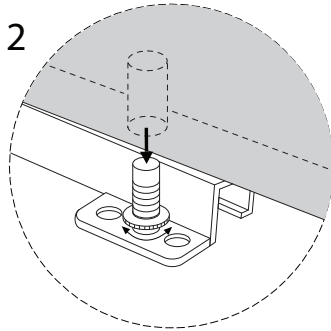
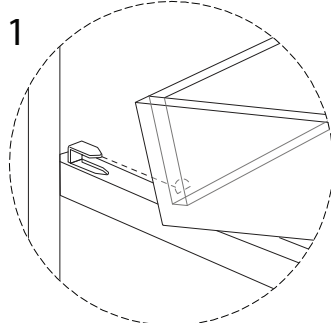
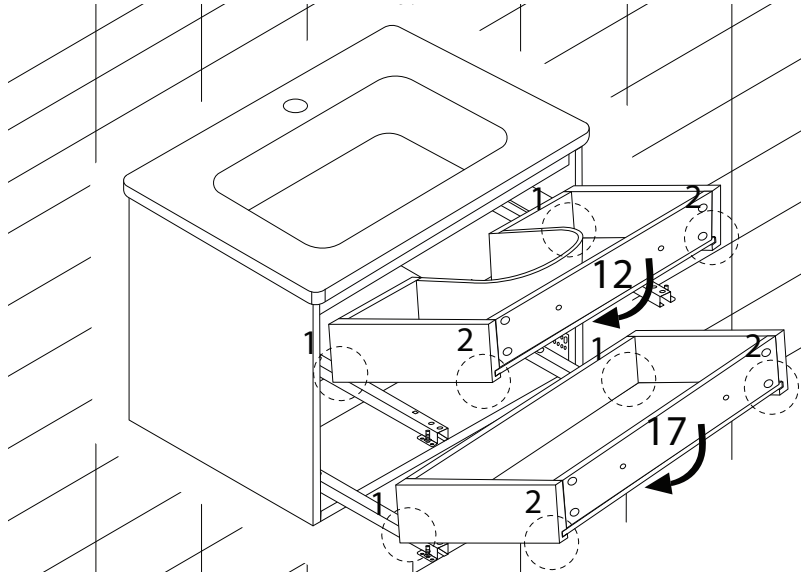
x 1



24

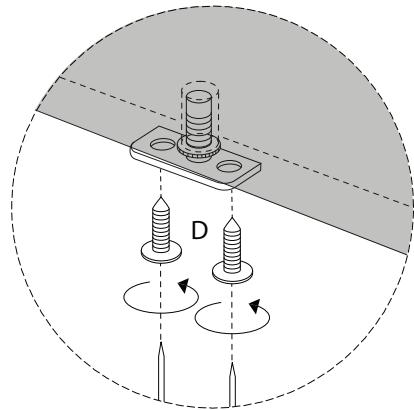
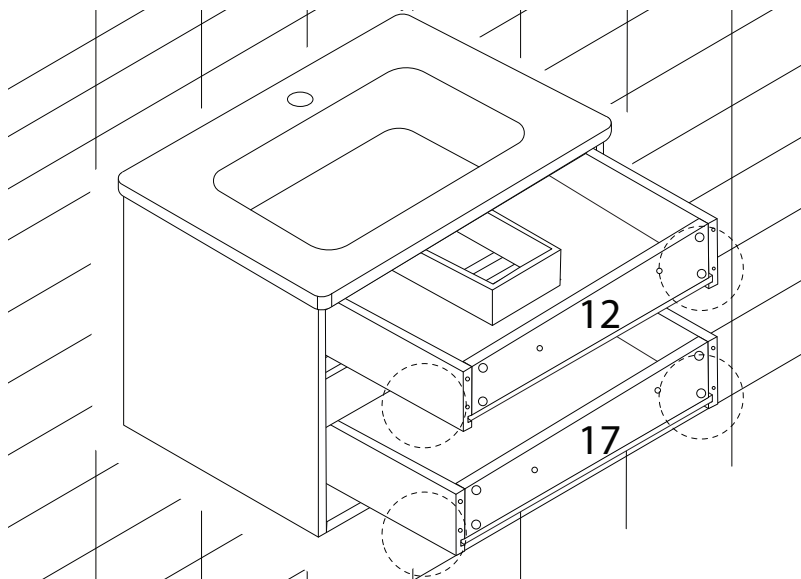


25



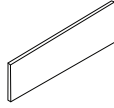
26

D
M3.5
x
14
x 8



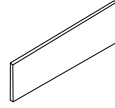
27

19



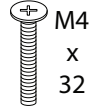
x 1

20



x 1

F



x 4

