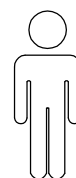
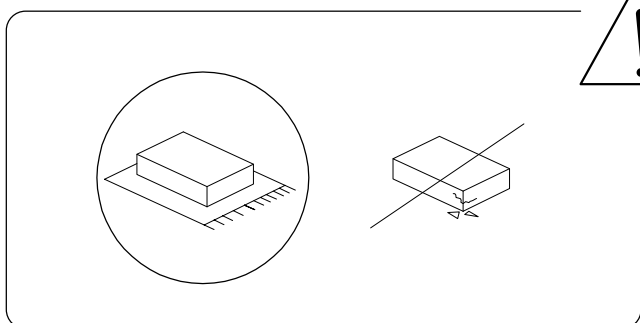
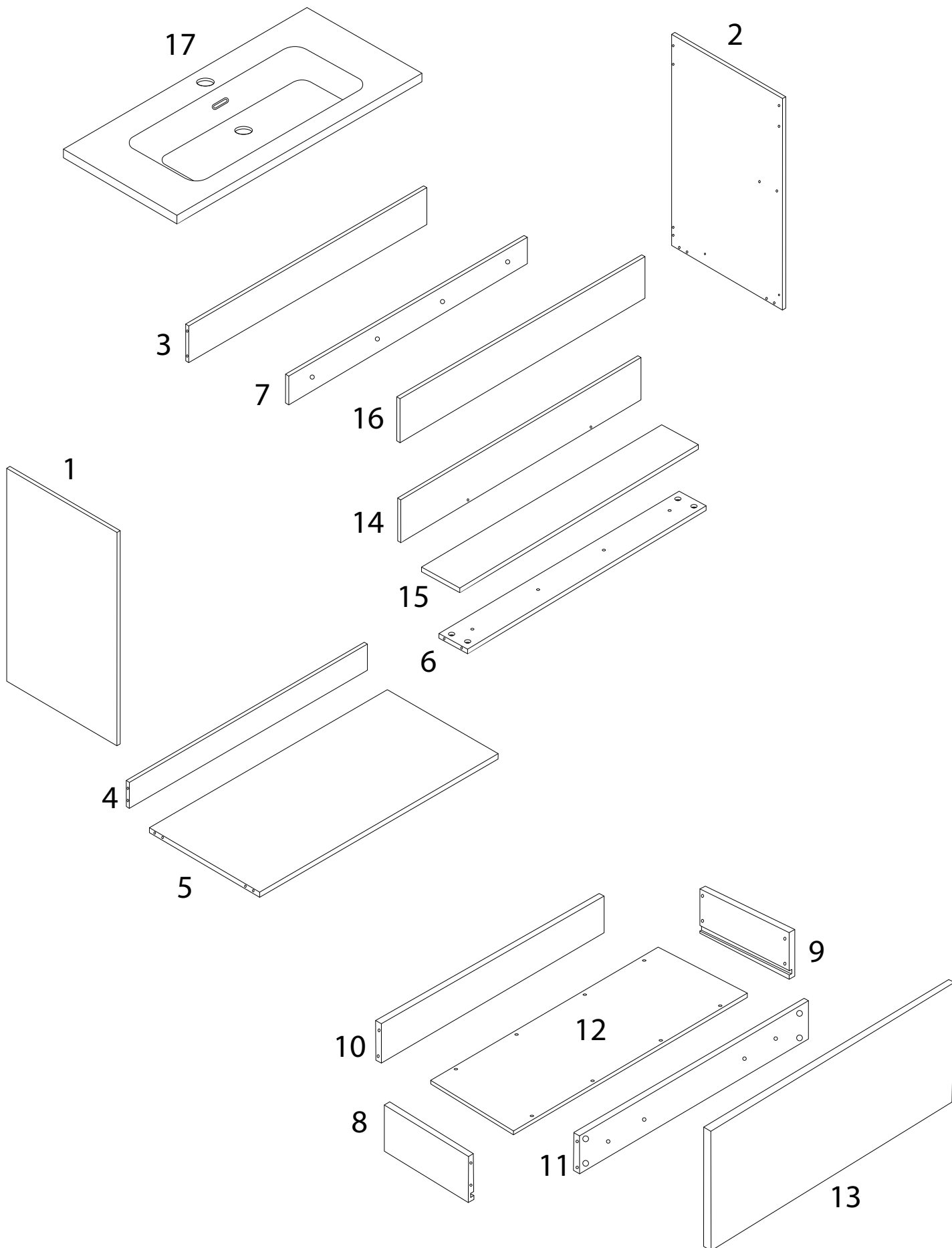


90'



2

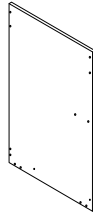


1



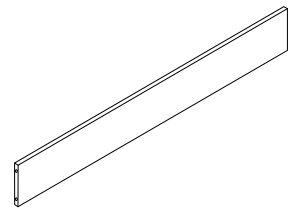
x 1

2



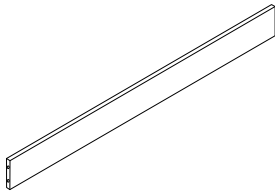
x 1

3



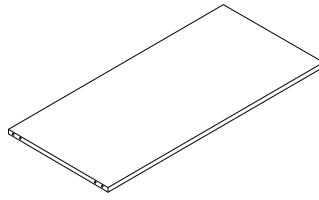
x 1

4



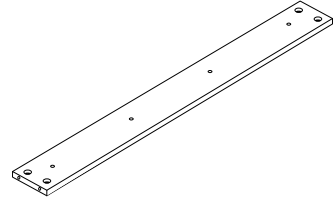
x 1

5



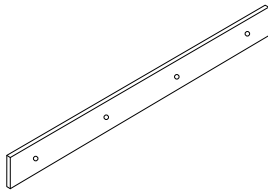
x 1

6



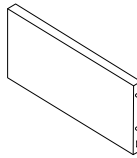
x 1

7



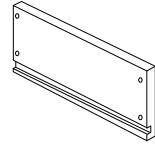
x 1

8



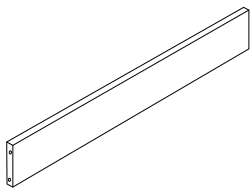
x 1

9



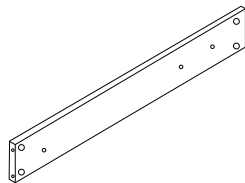
x 1

10



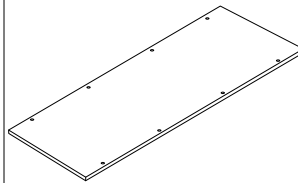
x 1

11



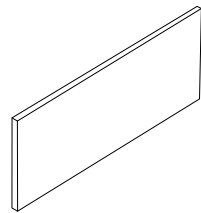
x 1

12



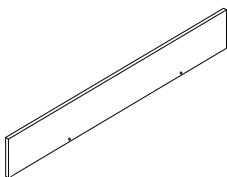
x 1

13



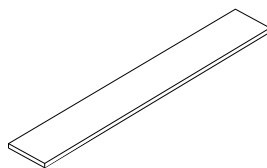
x 1

14



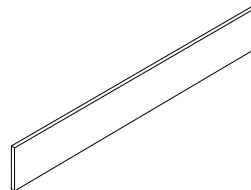
x 1

15



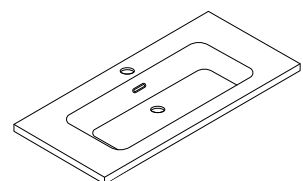
x 1

16



x 1

17



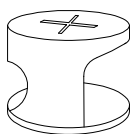
x 1

A



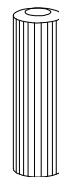
x 30

B



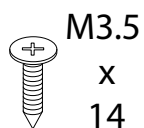
x 30

C



x 4

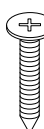
D



M3.5
x
14

x 34

E



M4
x
24

x 8

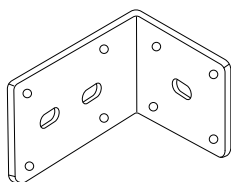
F



M4
x
32

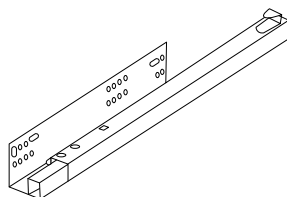
x 4

G



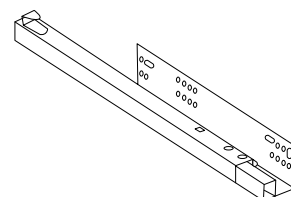
x 2

H



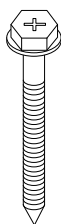
x 1

I



x 1

J



M5
x
25

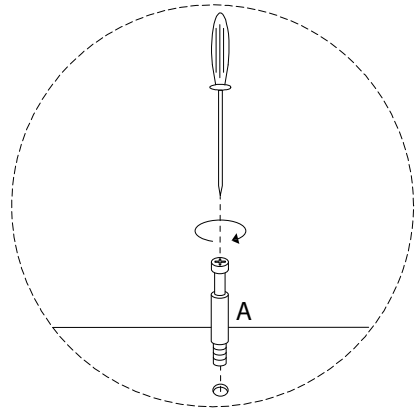
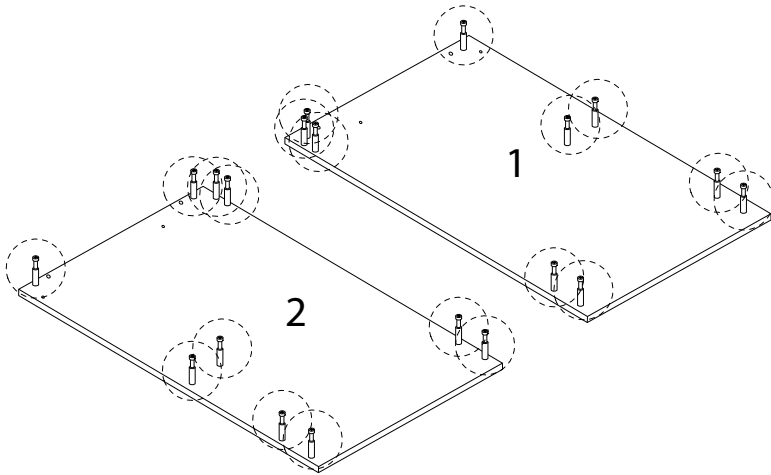
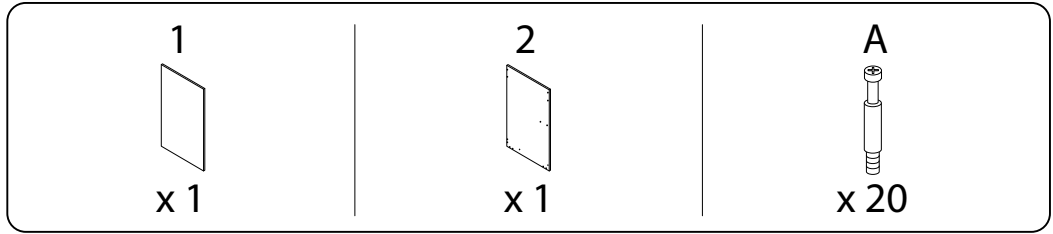
x 4

K

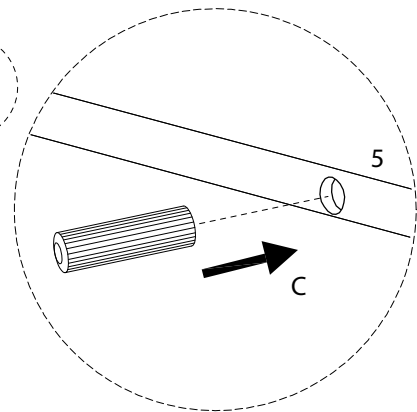
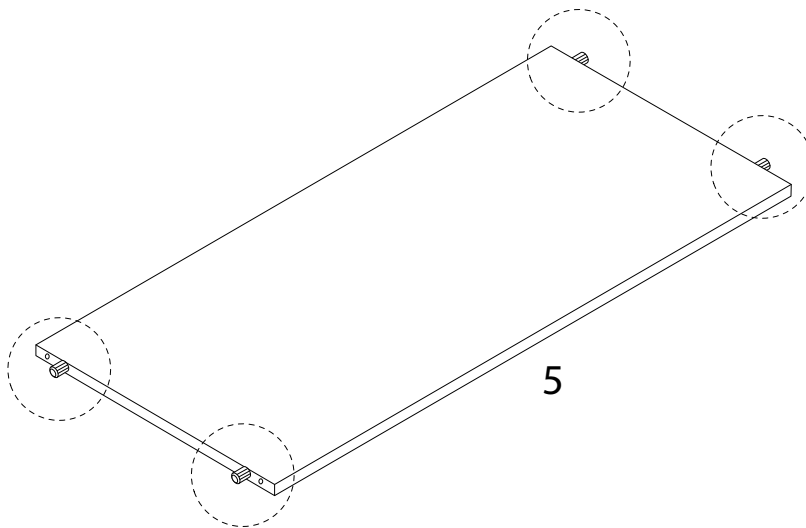
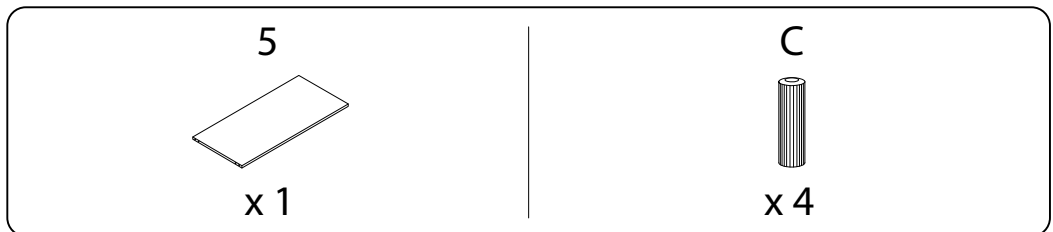


x 4

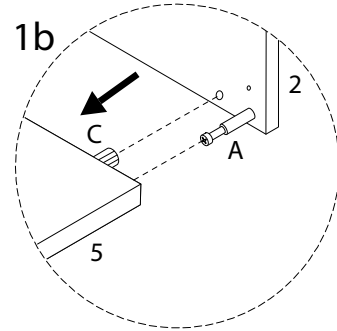
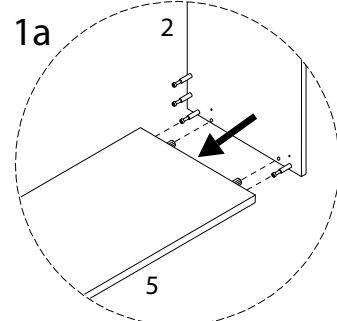
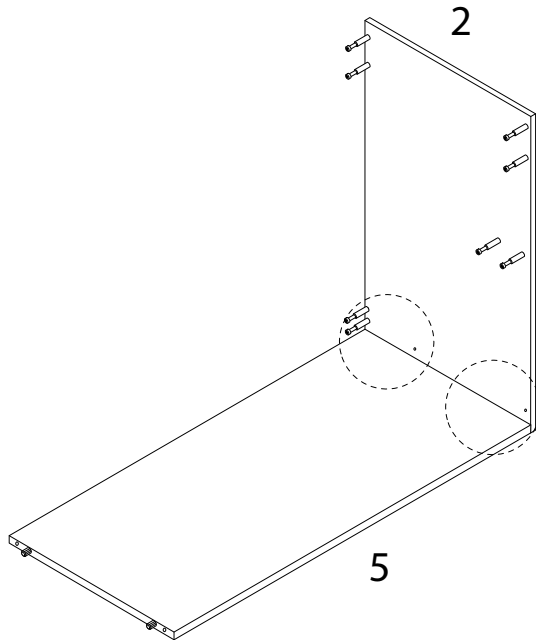
1



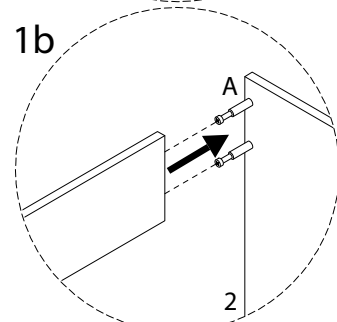
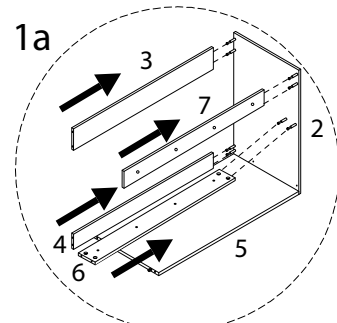
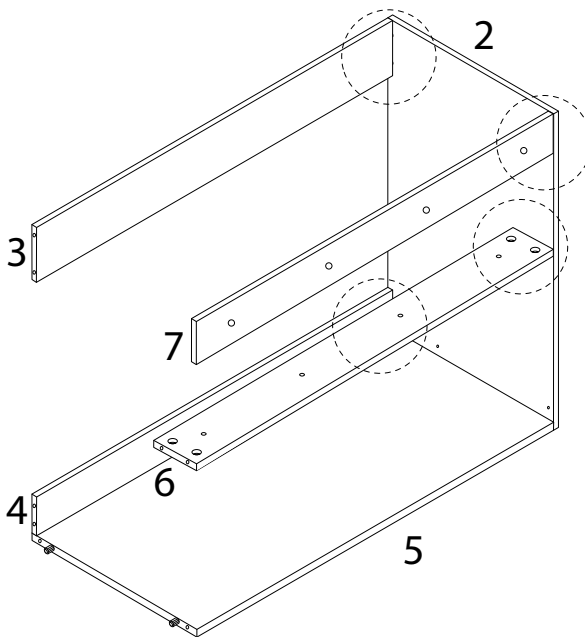
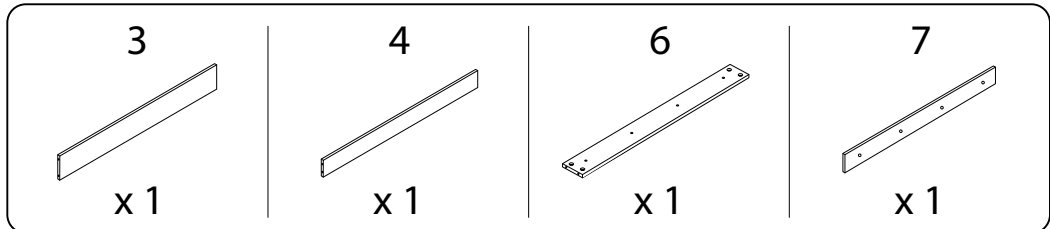
2



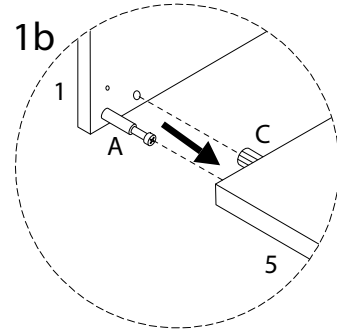
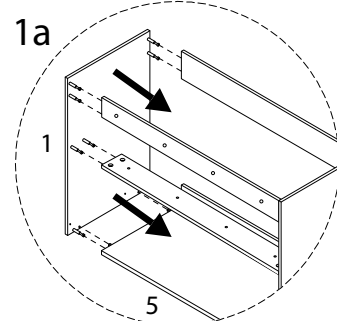
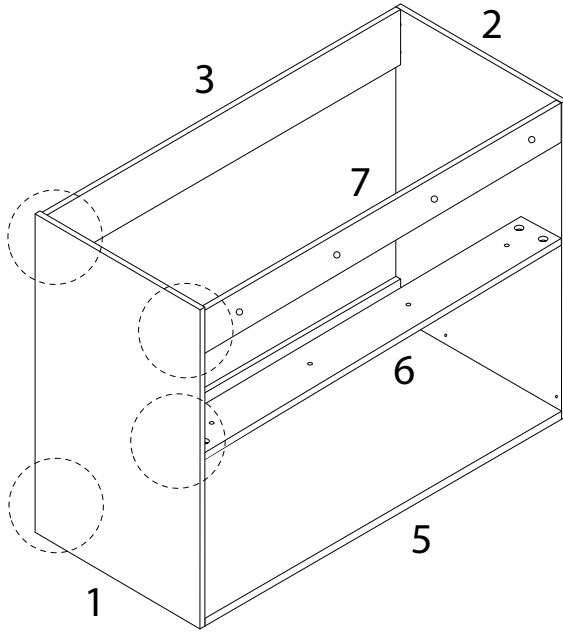
3



4



5

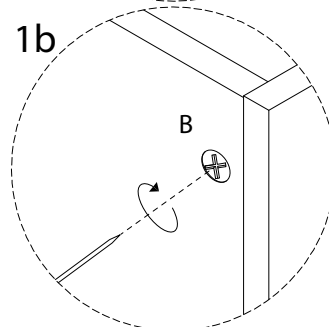
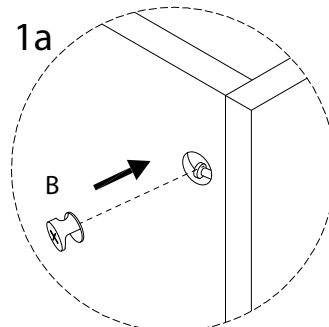
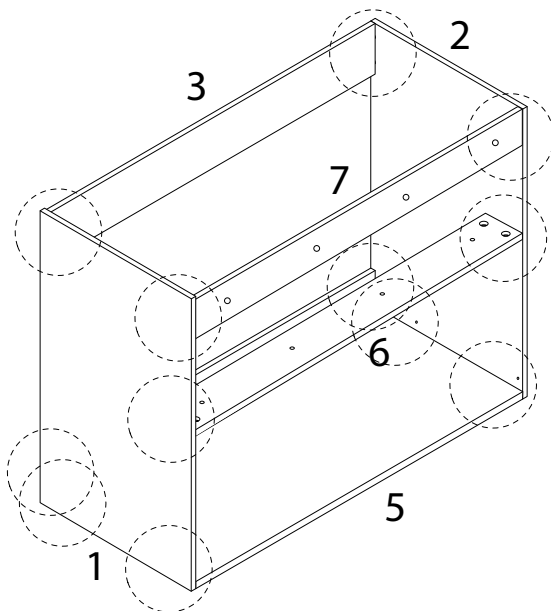


6

B

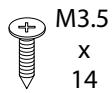


x 20



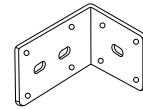
7

D

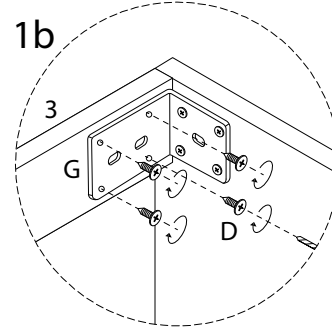
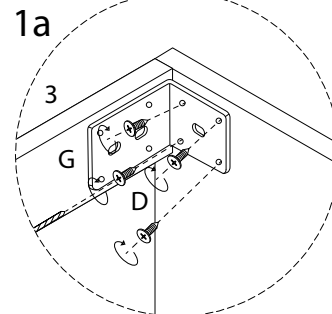
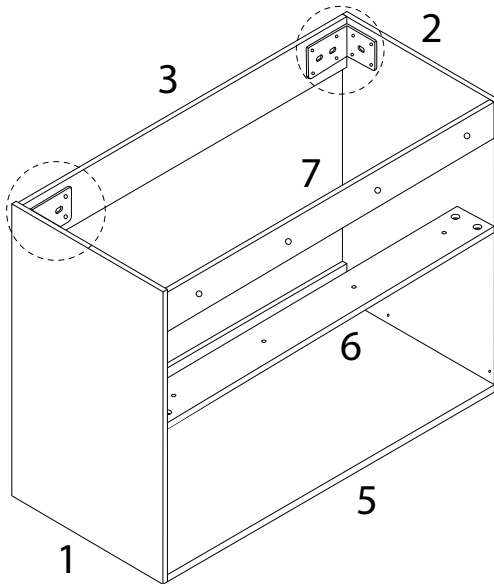


x 16

G

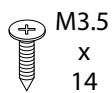


x 2



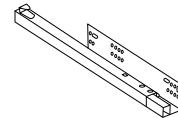
8

D

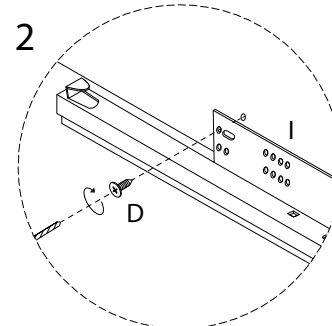
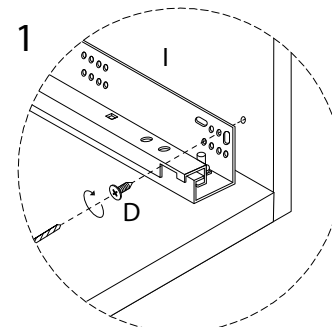
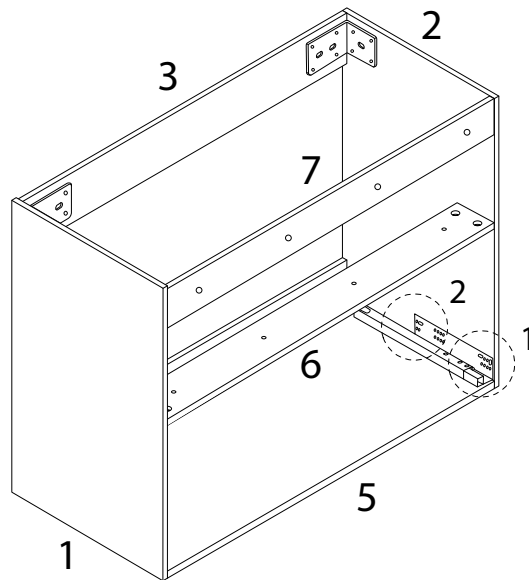


x 2

I

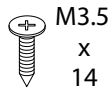


x 1



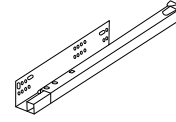
9

D

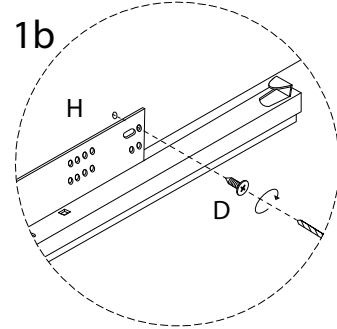
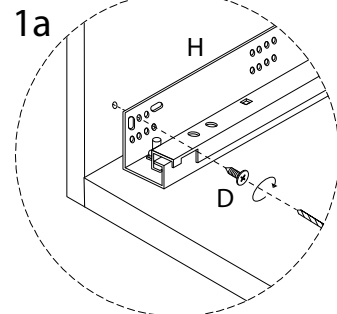
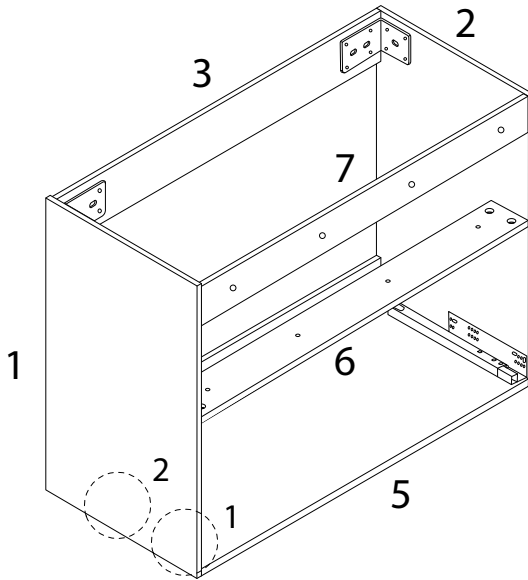


x 2

H

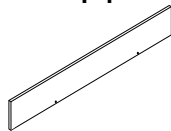


x 1



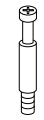
10

14

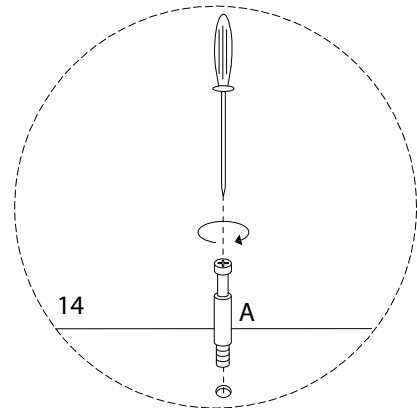
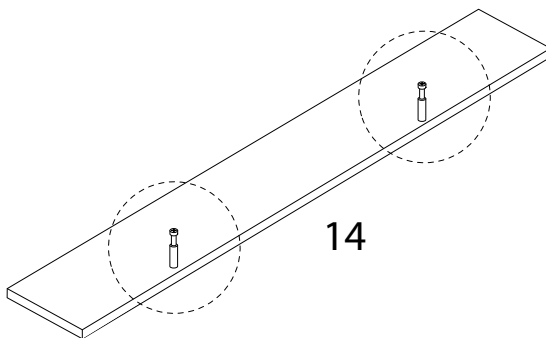


x 1

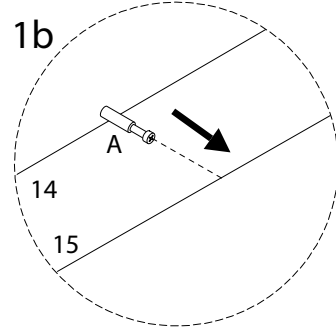
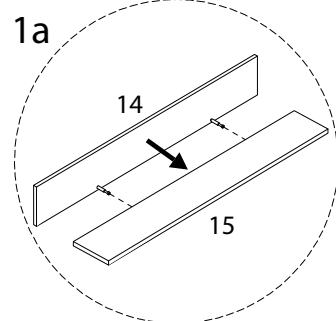
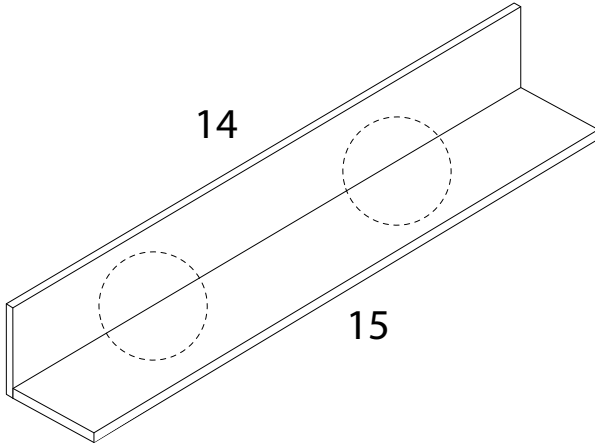
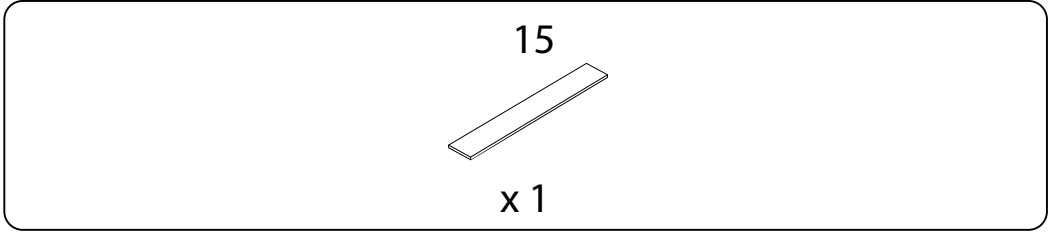
A



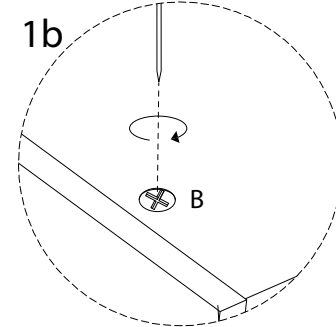
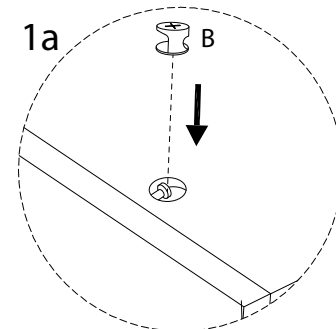
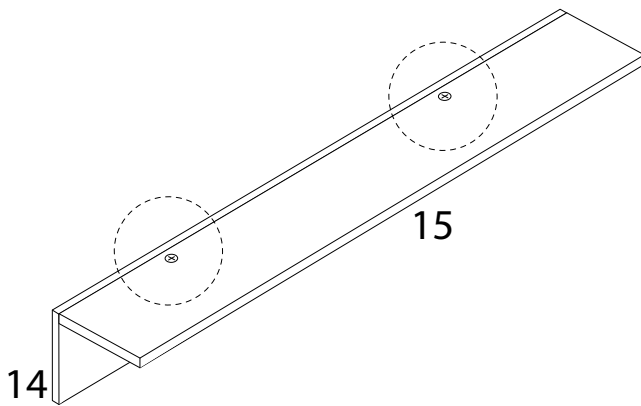
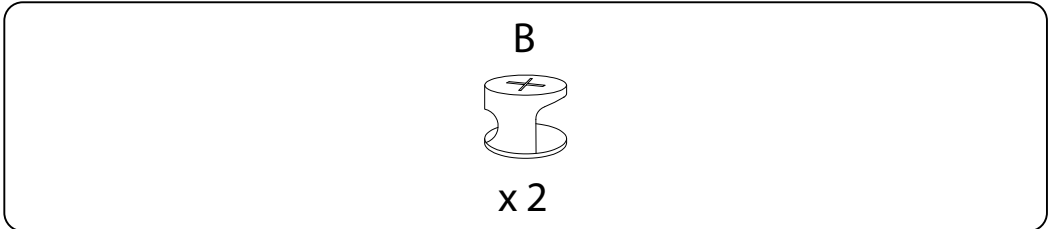
x 2



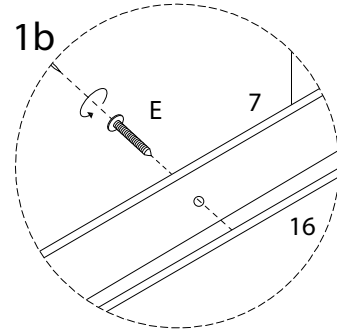
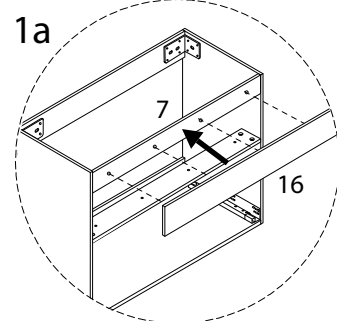
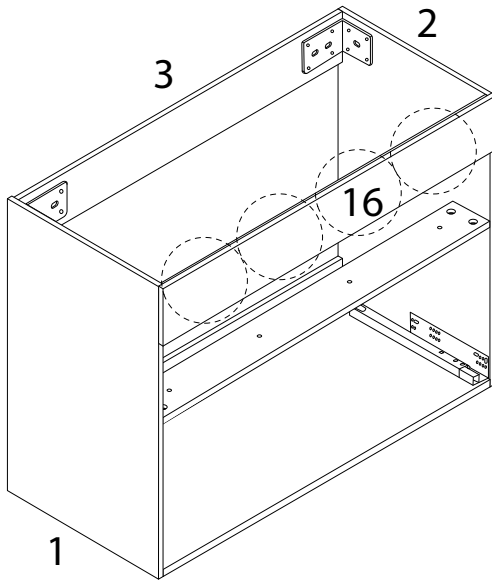
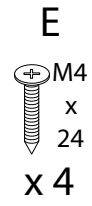
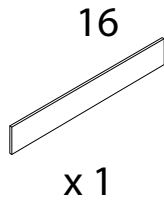
11



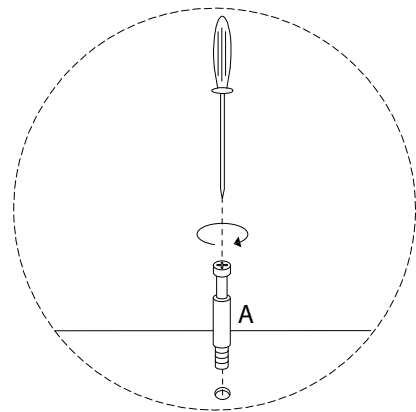
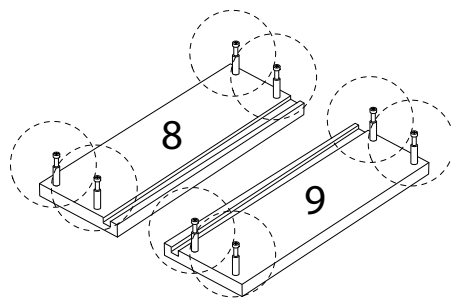
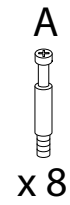
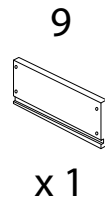
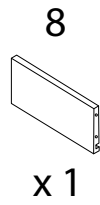
12



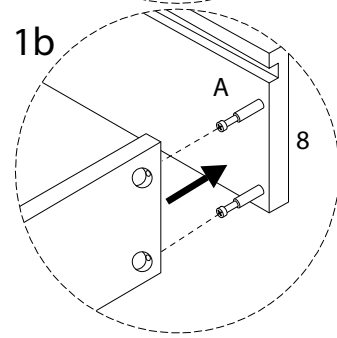
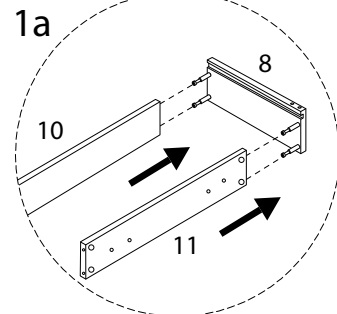
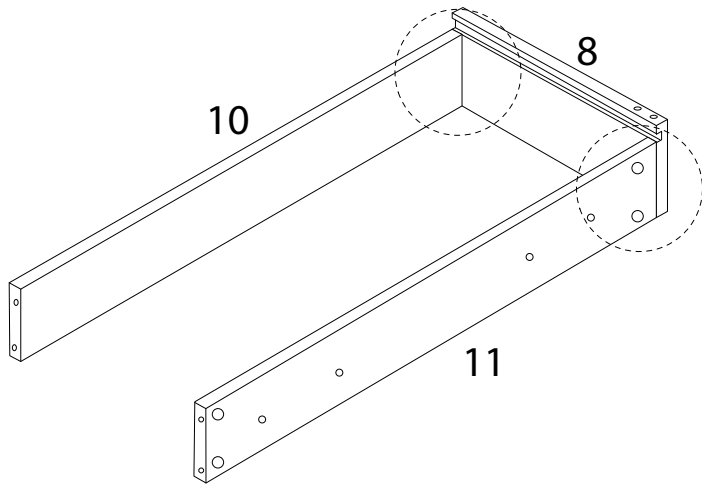
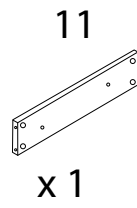
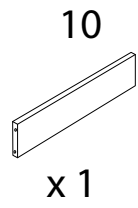
13



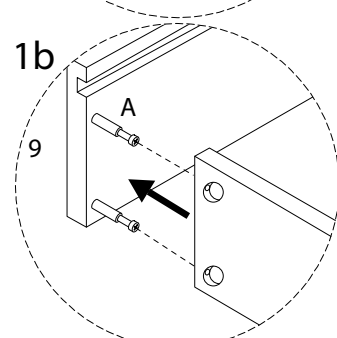
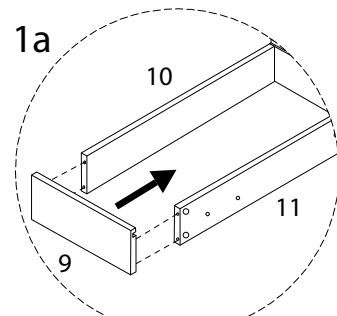
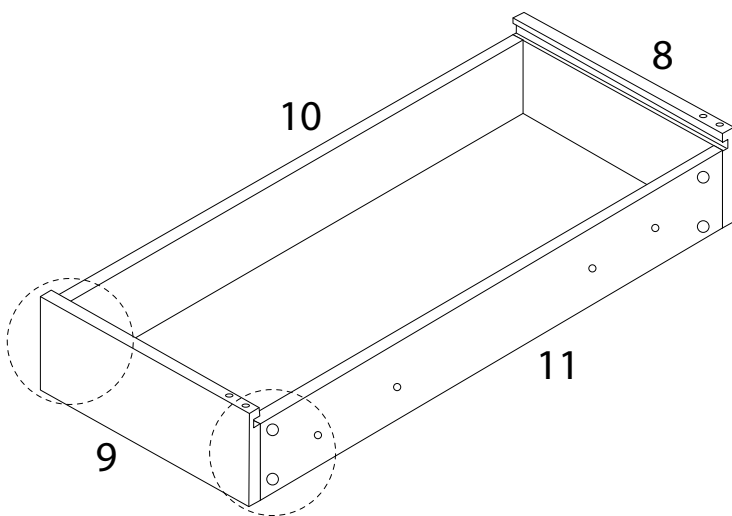
14



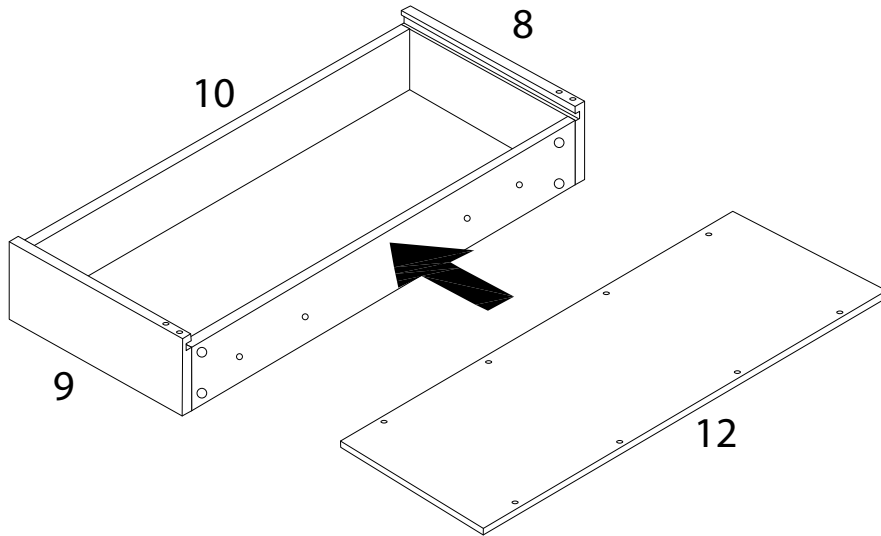
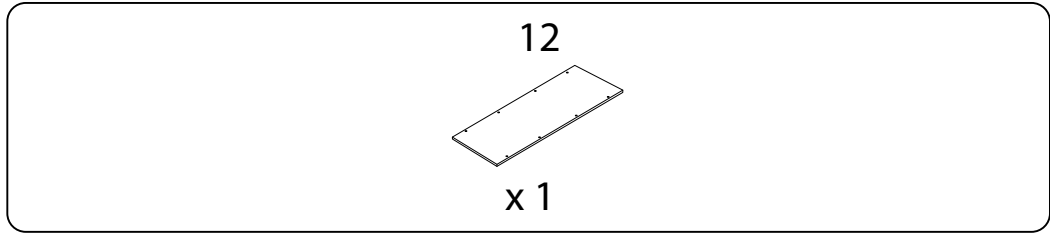
15



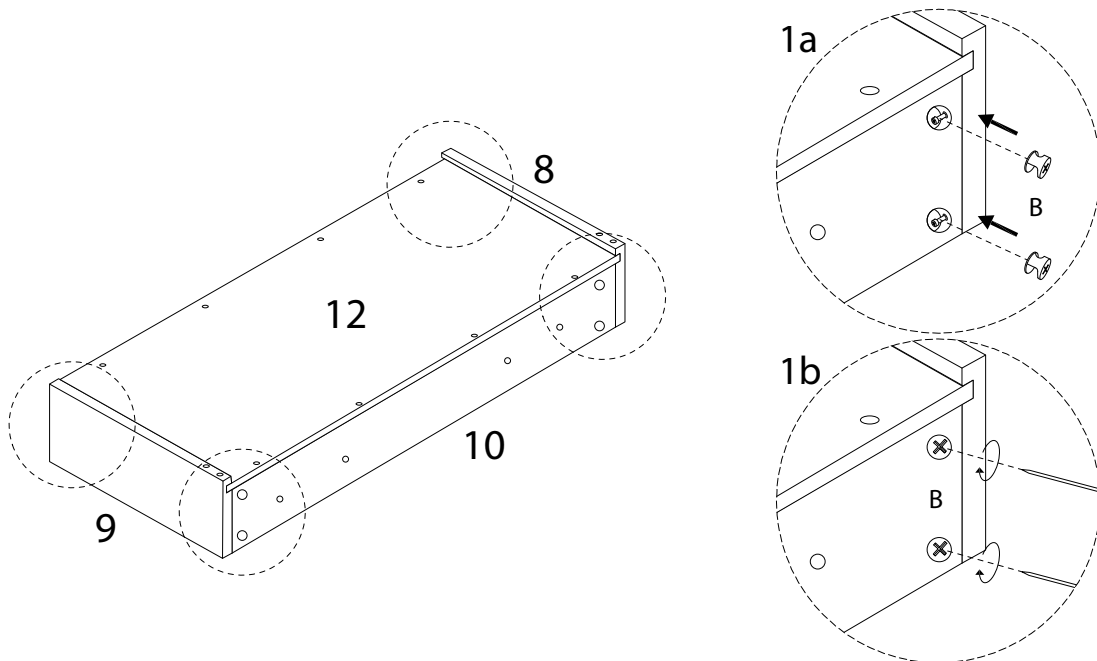
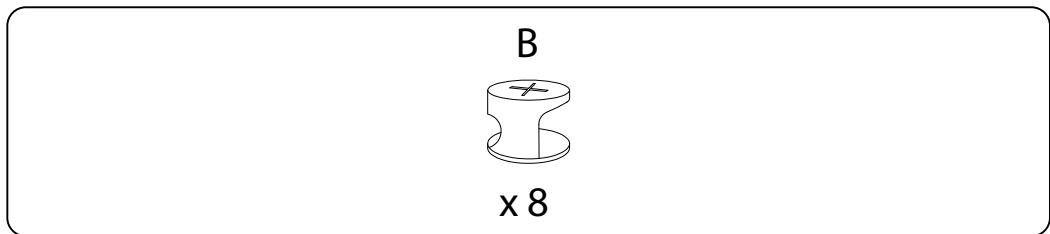
16



17

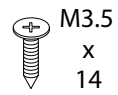


18

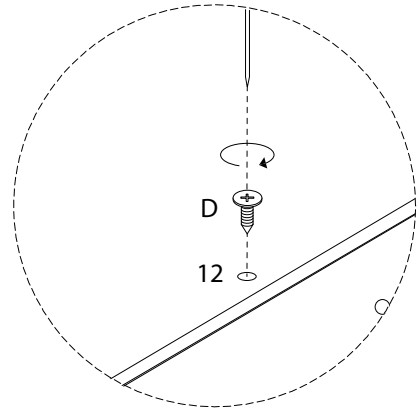
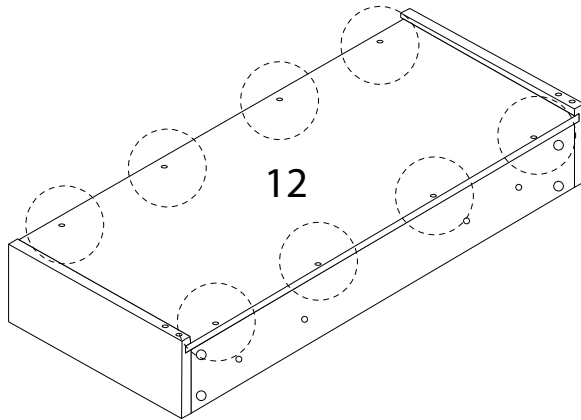


19

D

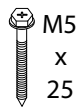


x 8



20

J

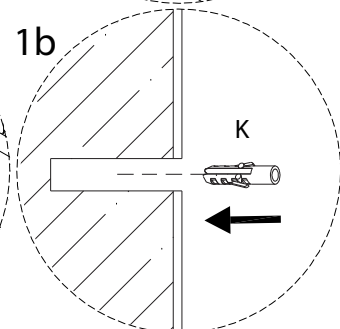
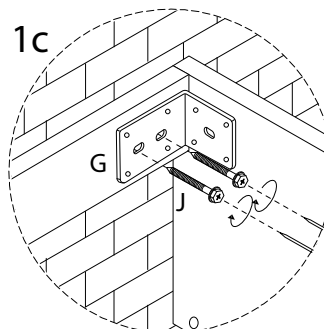
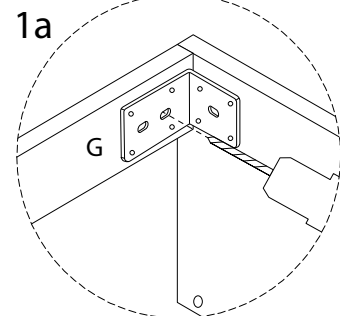
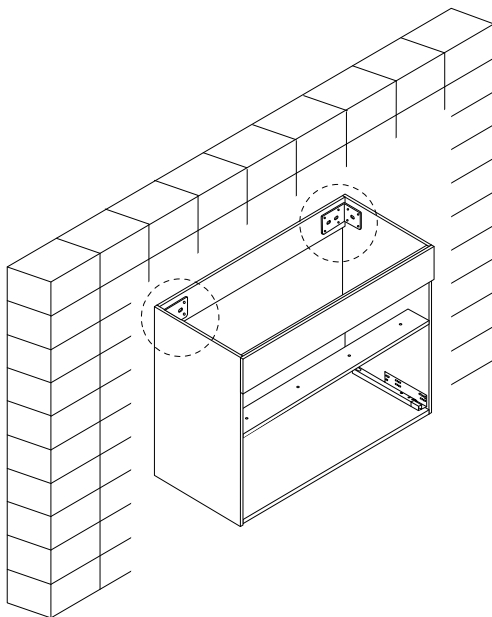


x 4

K

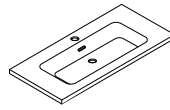


x 4

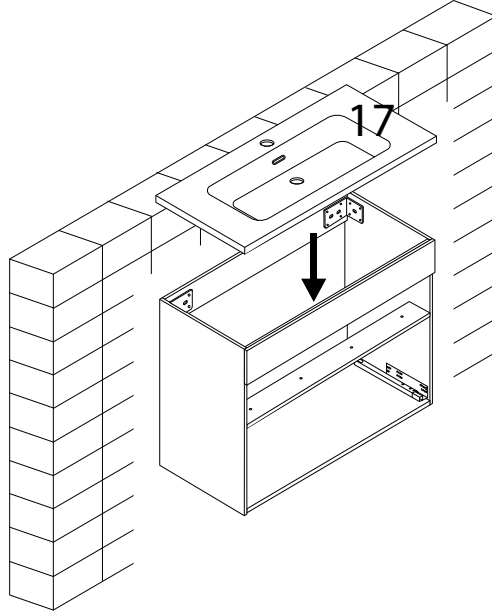


21

17



x 1

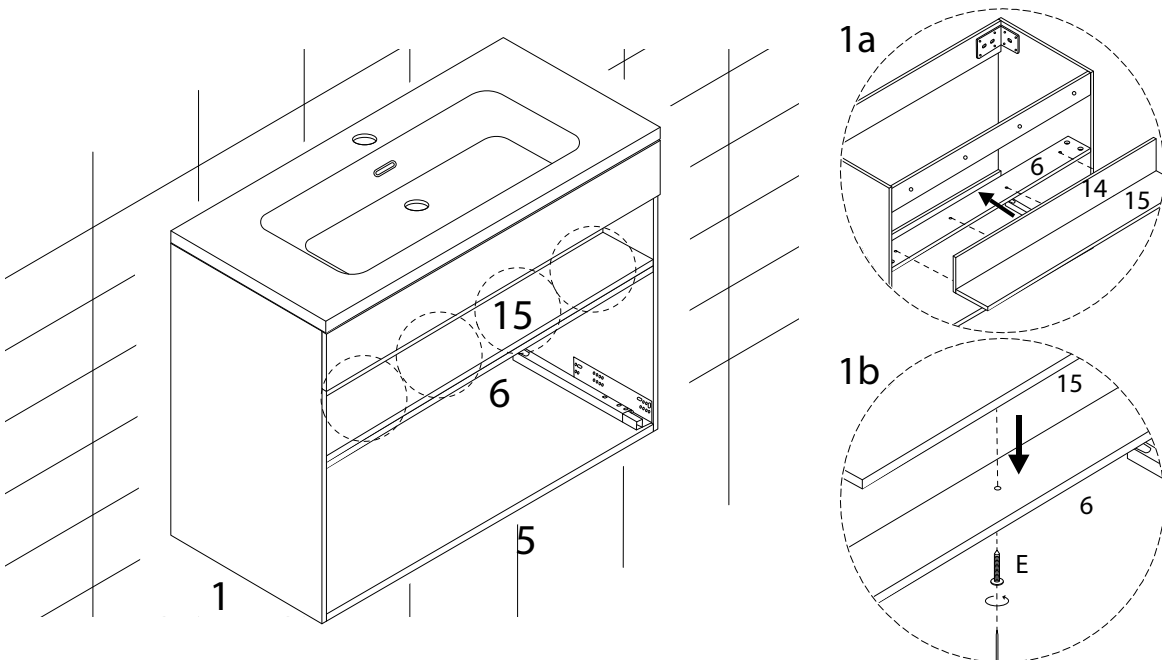


22

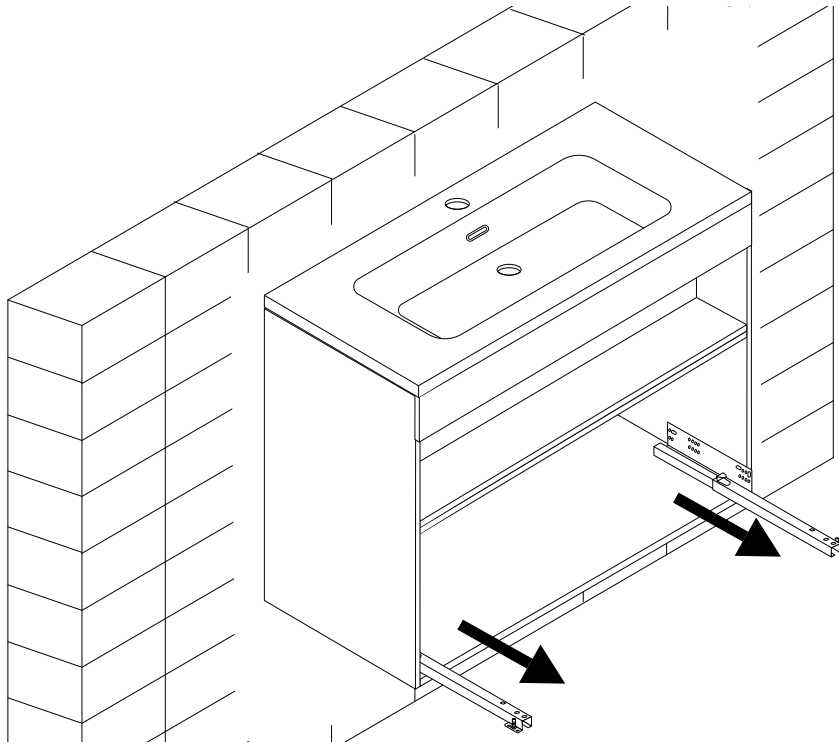
E



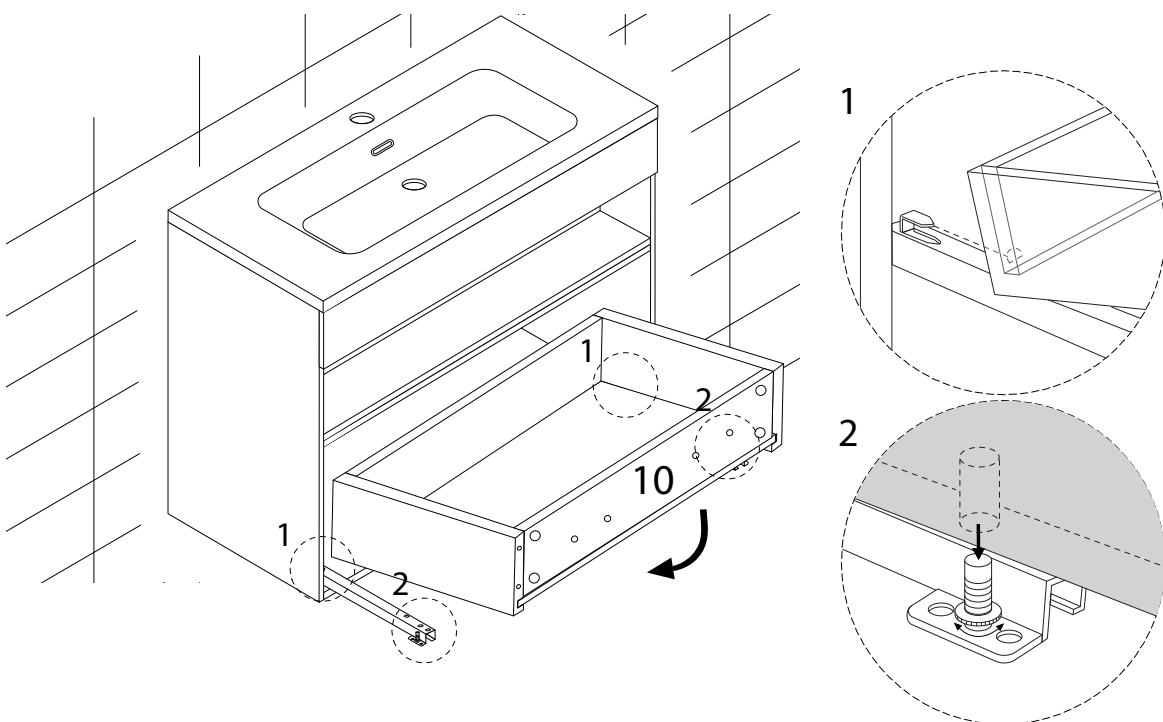
x 4



23

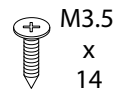


24

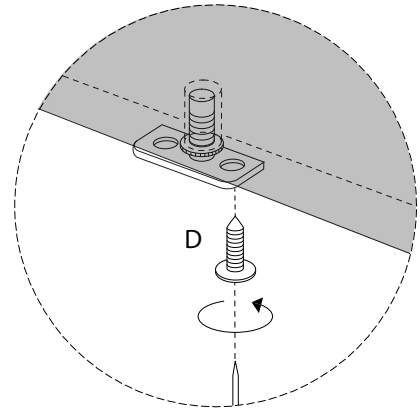
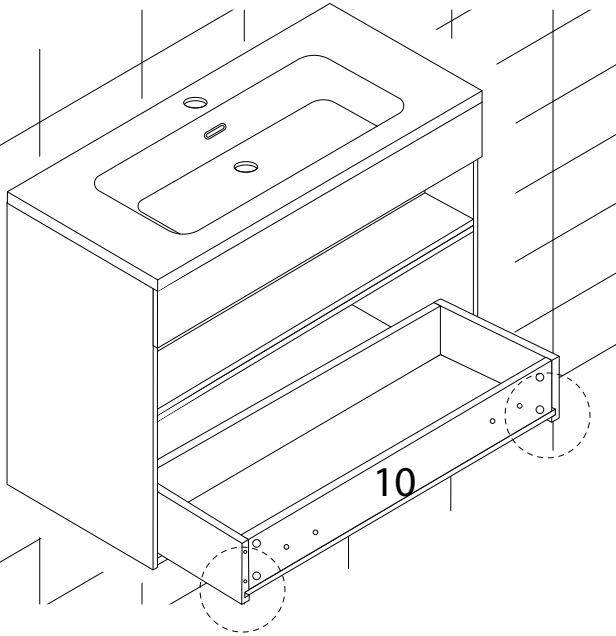


25

D

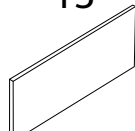


x 6



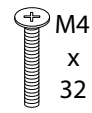
26

13



x 1

F



x 4

