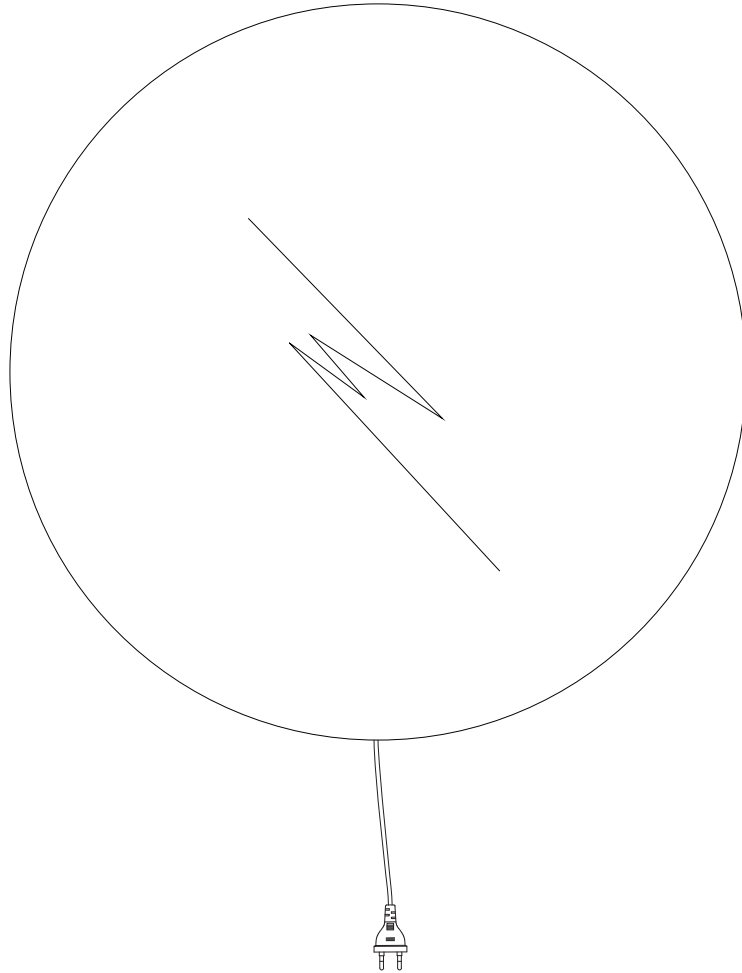
		

10'

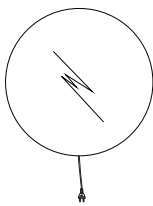
1

1/5

A



A



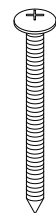
x 1

B



x 2

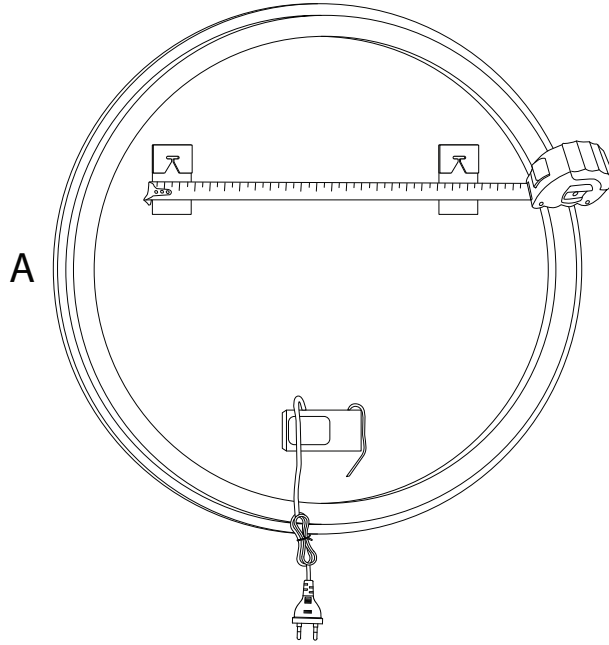
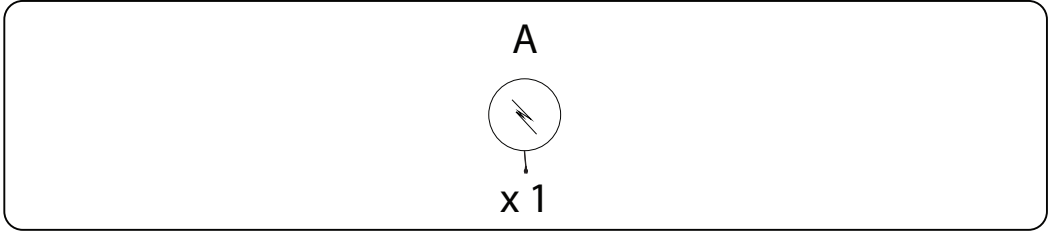
C



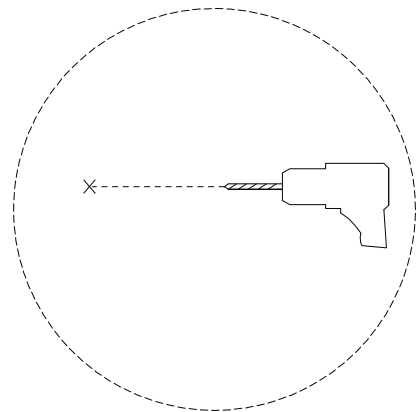
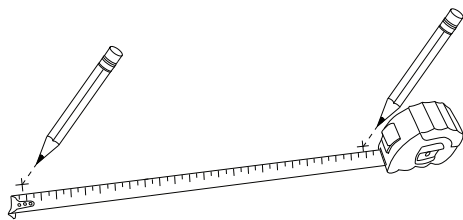
M5
x
40

x 2

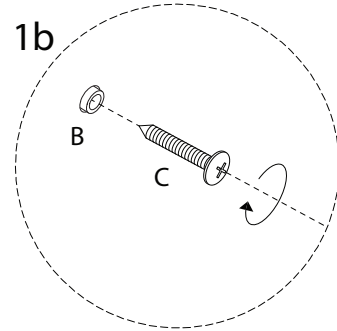
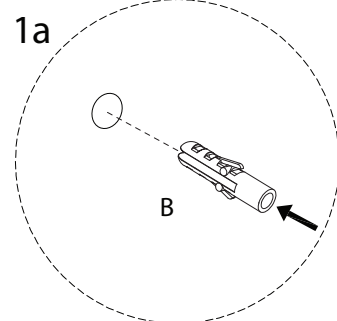
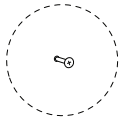
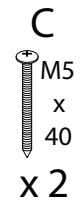
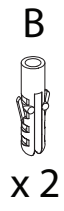
1



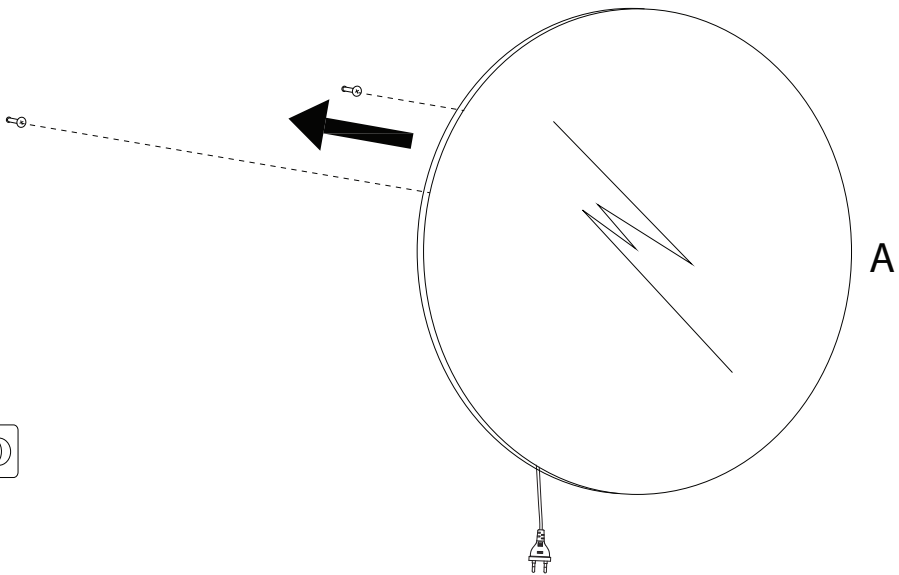
2



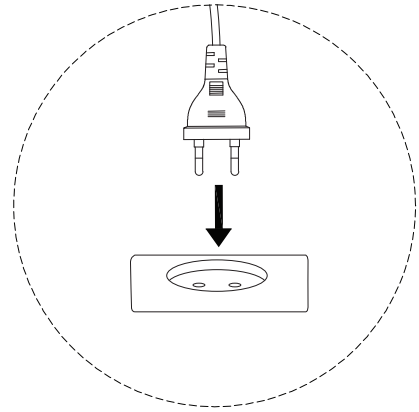
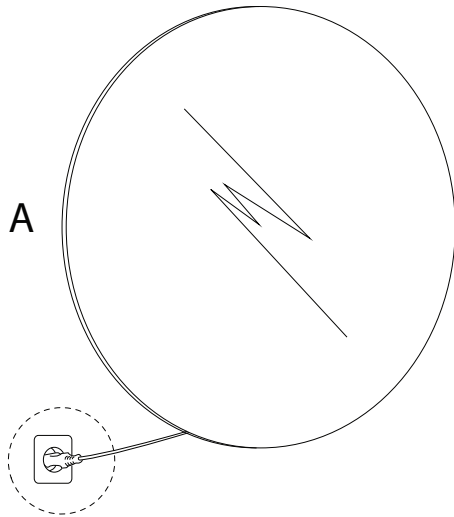
3



4



5



!

