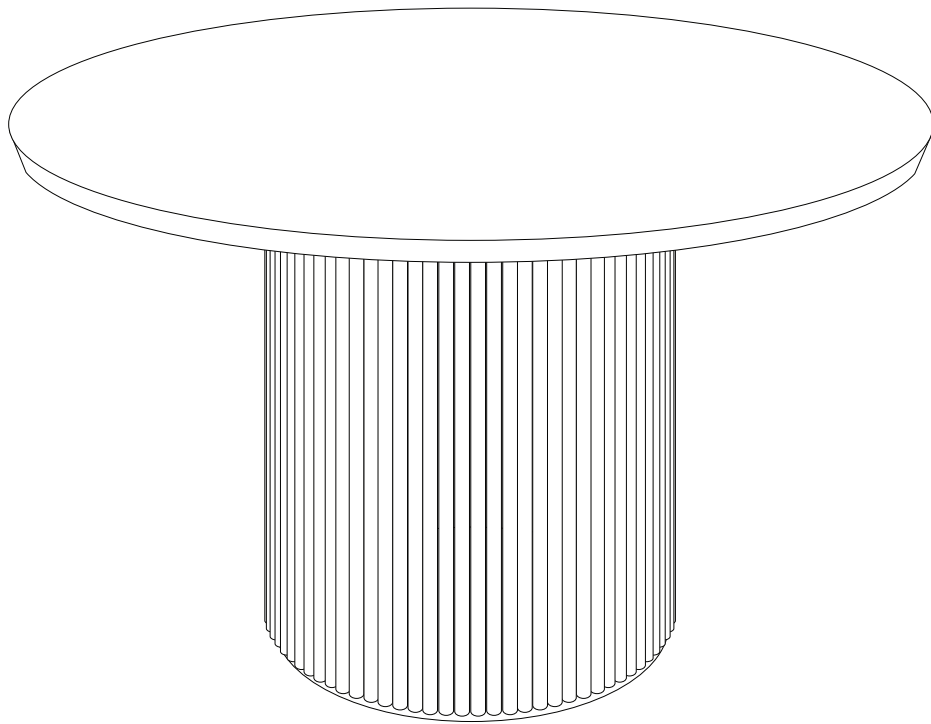
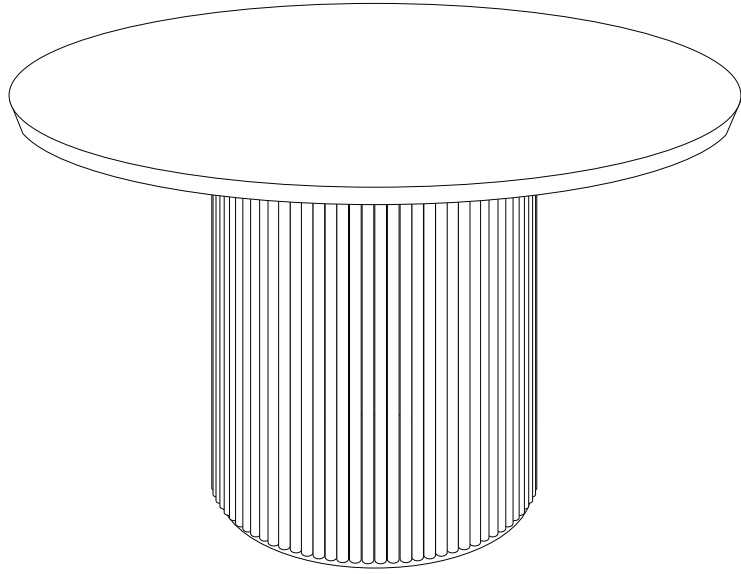


# VISTALLA





Assembly instructions for the table base, including tool requirements, time, and personnel.

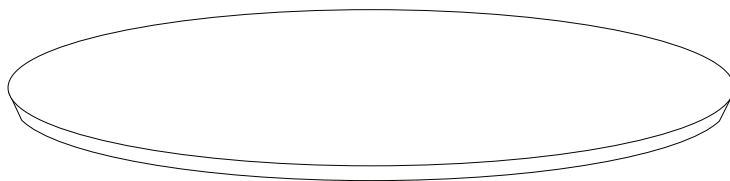
**Tools:** A circular icon shows a screwdriver. A power drill icon is crossed out with a diagonal line, indicating it is not to be used. A warning triangle with an exclamation mark is positioned to the right of these icons.

**Time:** A clock icon is shown, with the number **15'** below it, indicating a 15-minute assembly time.

**Personnel:** An icon of a person is shown, with the number **2** below it, indicating that two people are required for assembly.

A second warning triangle with an exclamation mark is located below the first one, pointing to a diagram of a rectangular block being placed on a surface with a textured pattern. A second diagram shows the block being placed on a smooth surface, which is crossed out with a diagonal line, indicating that the textured surface is the correct placement.

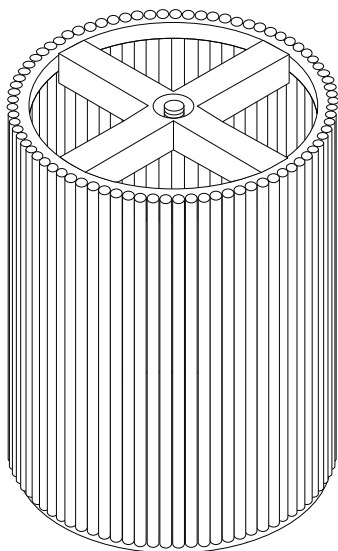
2



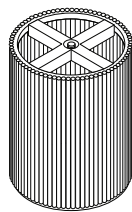
A



1



1



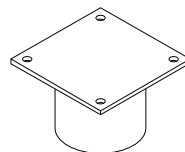
x 1

2



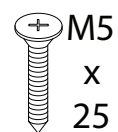
x 1

A



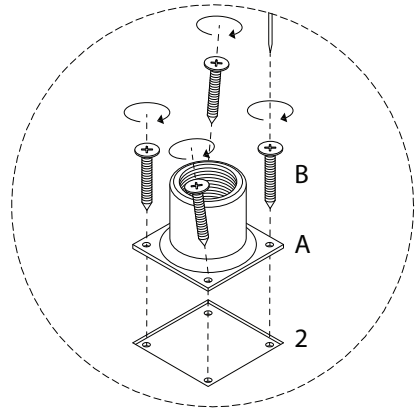
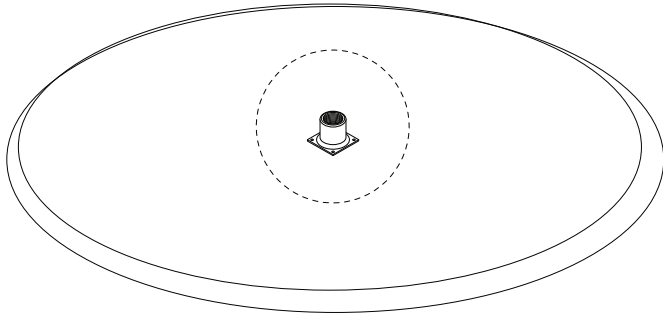
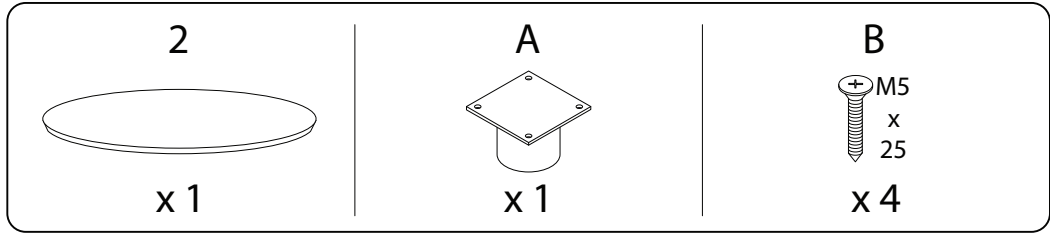
x 1

B



x 4

1



2

