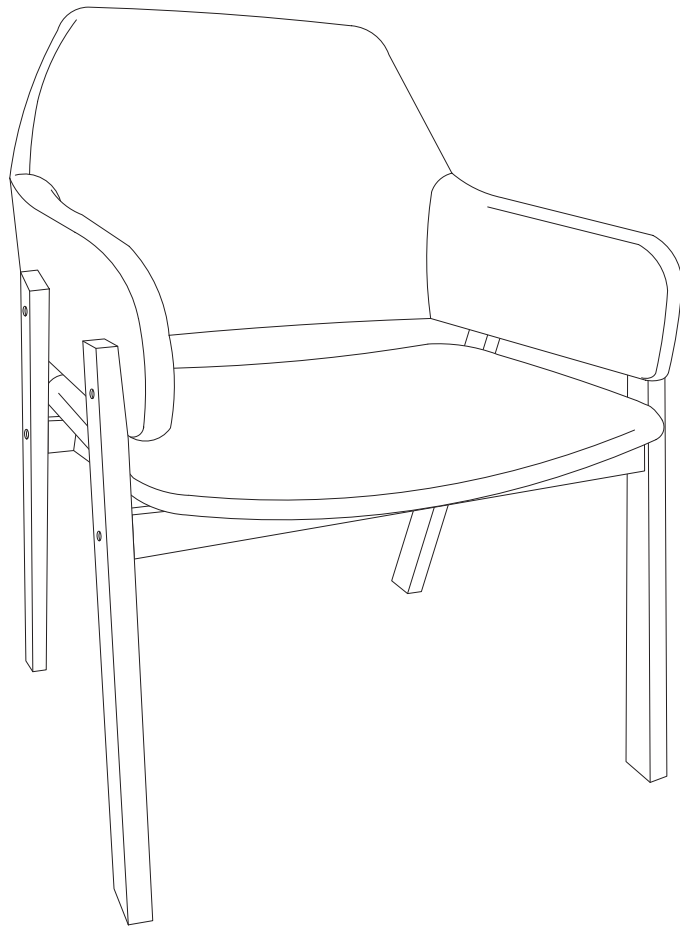
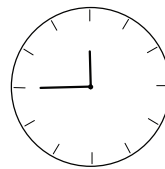
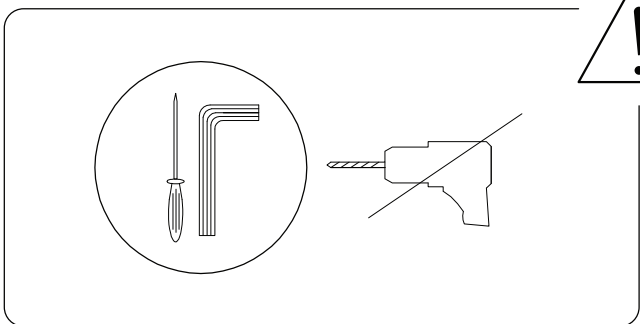
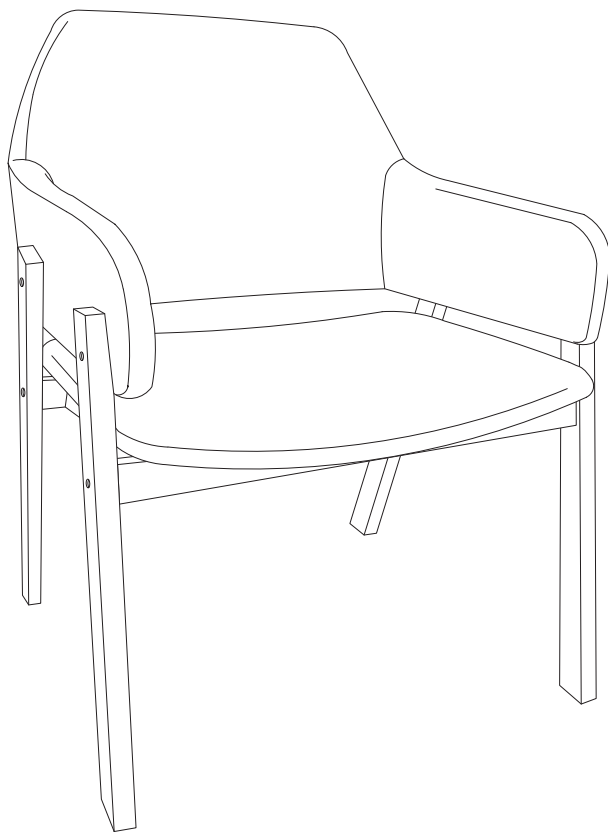
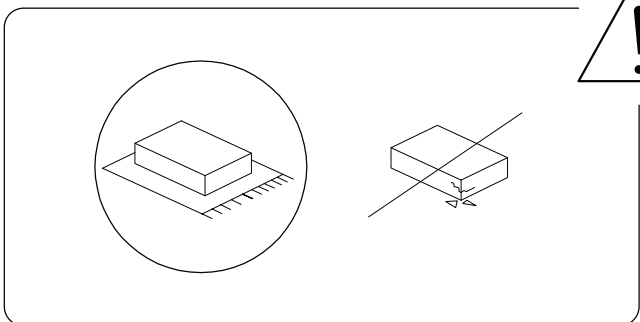


# ALBION



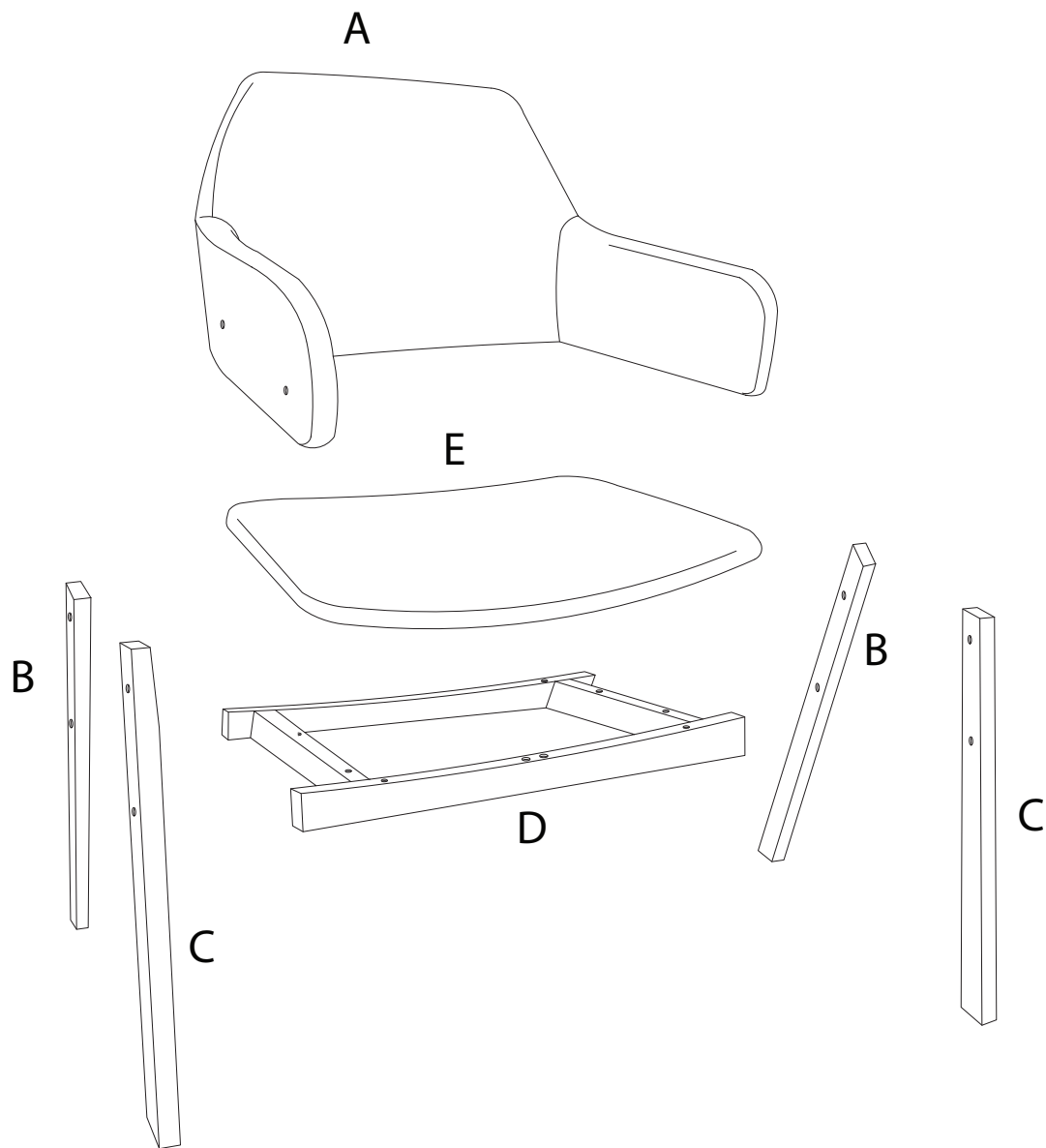


45'



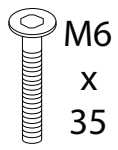
2

1/5



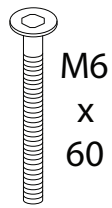
A	B	C	D	E
x 1	x 2	x 2	x 1	x 1

1



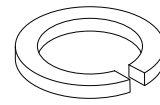
x 4

2



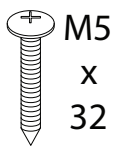
x 4

3



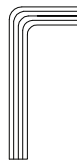
x 8

4



x 8

5



x 1

6



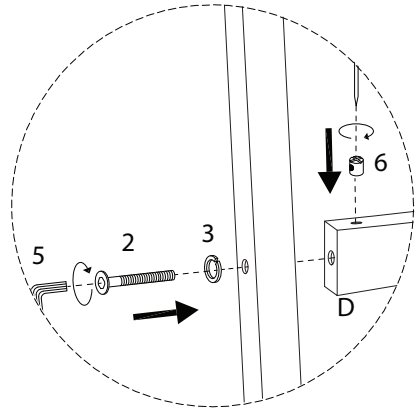
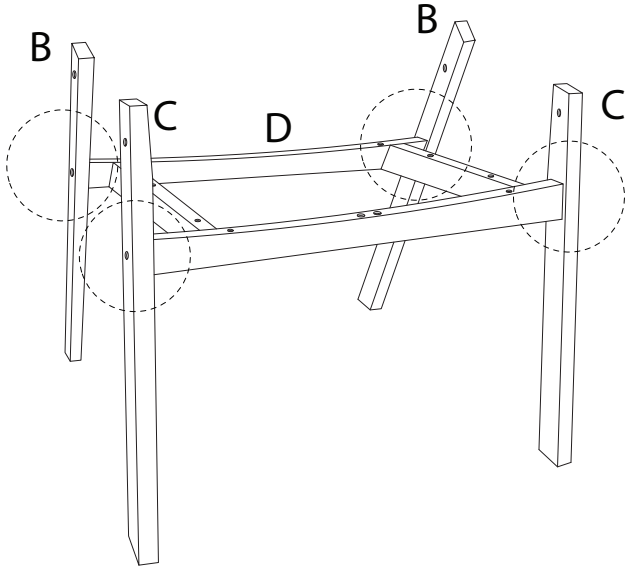
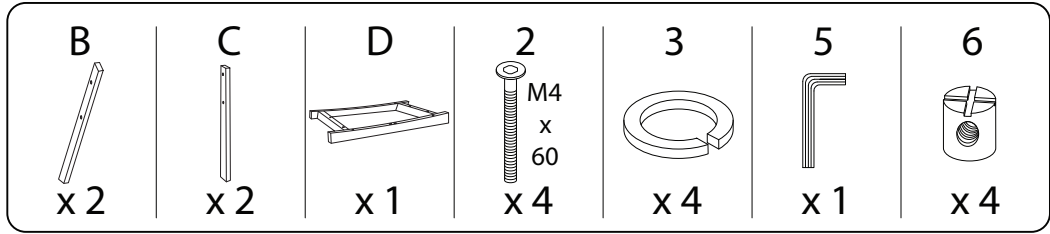
x 4

7

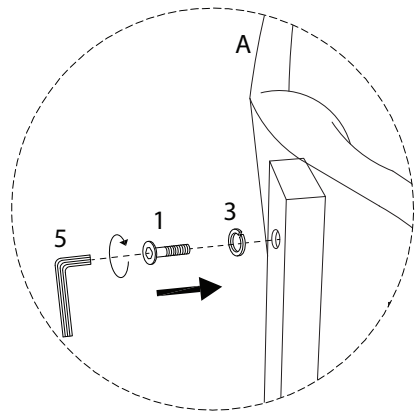
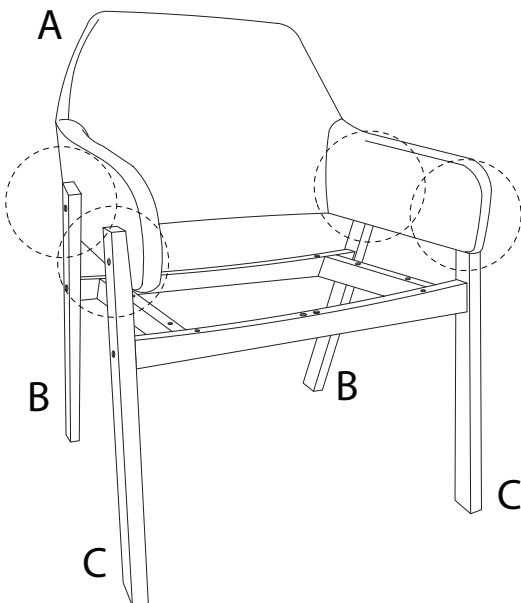
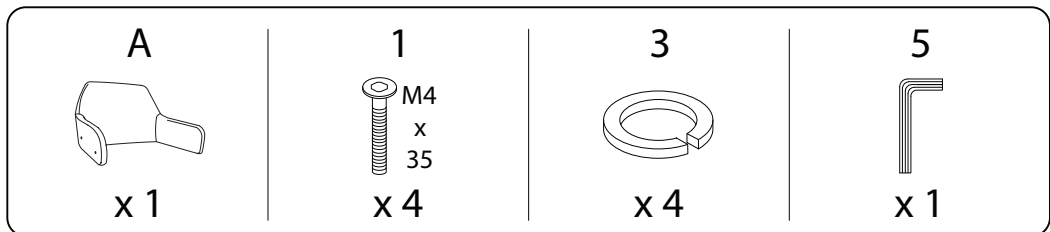


x 2


1

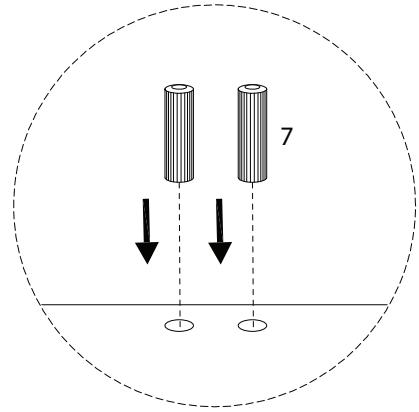
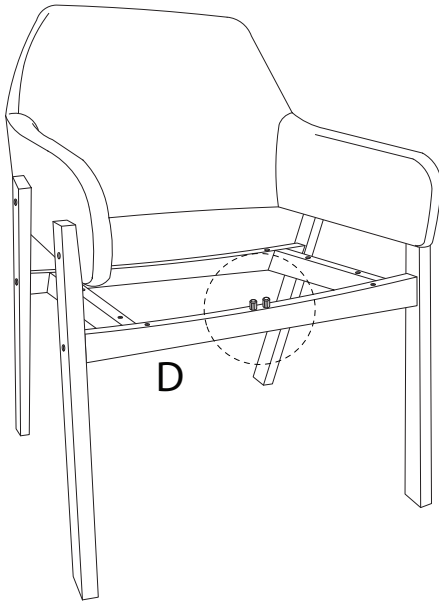


2



3

7  
  
x 2



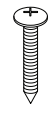
4

E



x 1

4

 M5  
x  
32  
x 8

