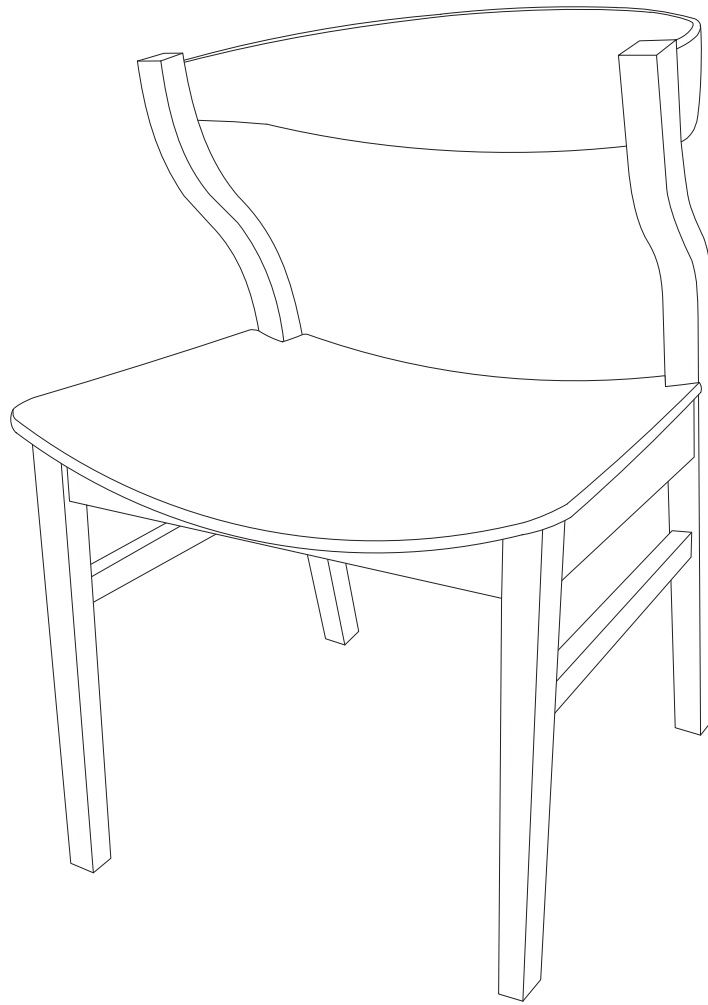
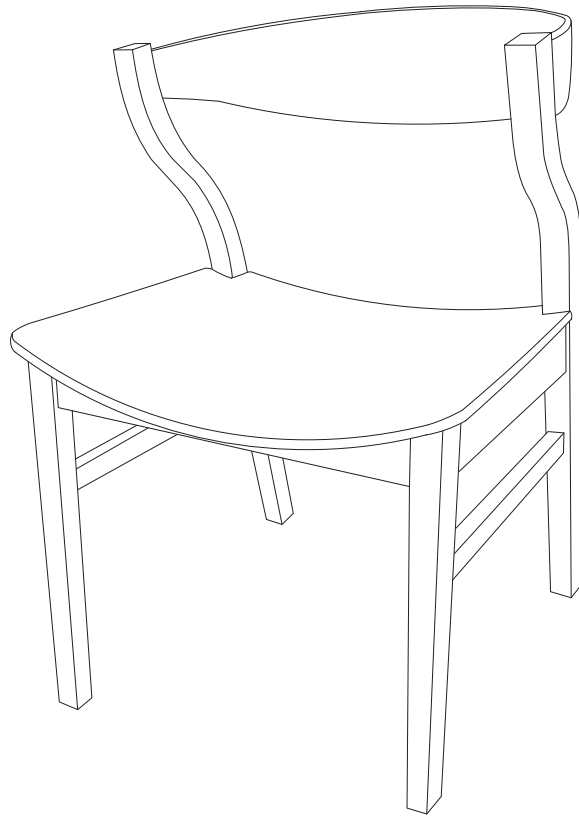


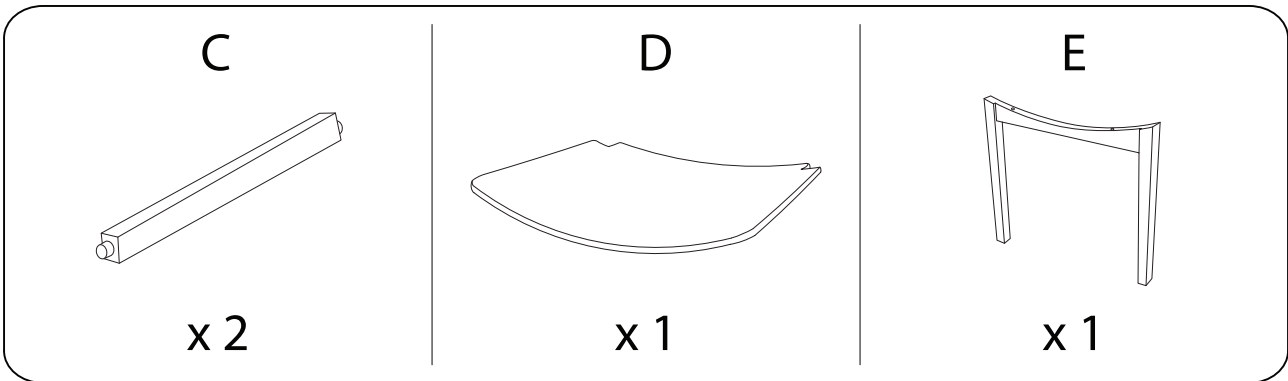
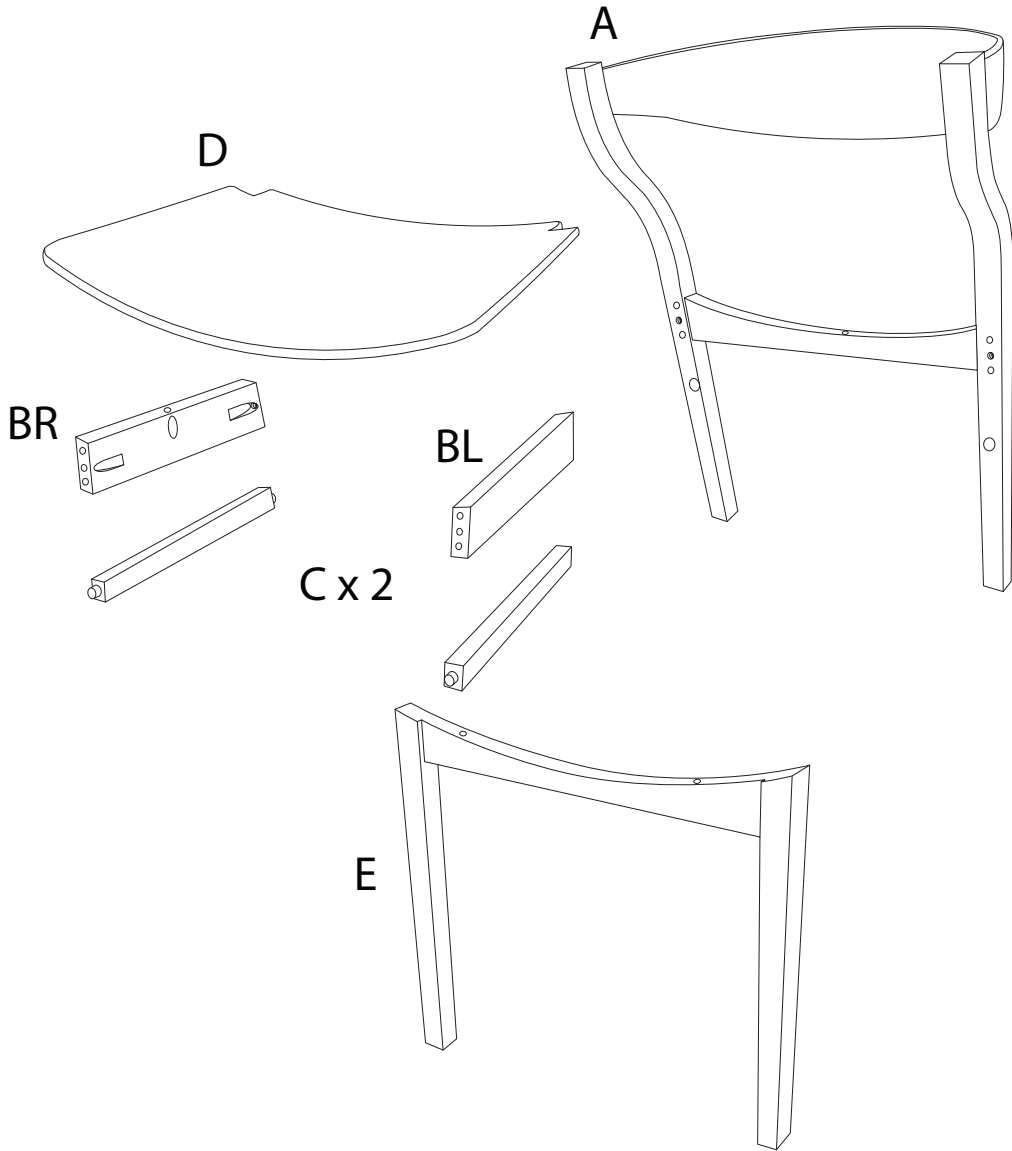
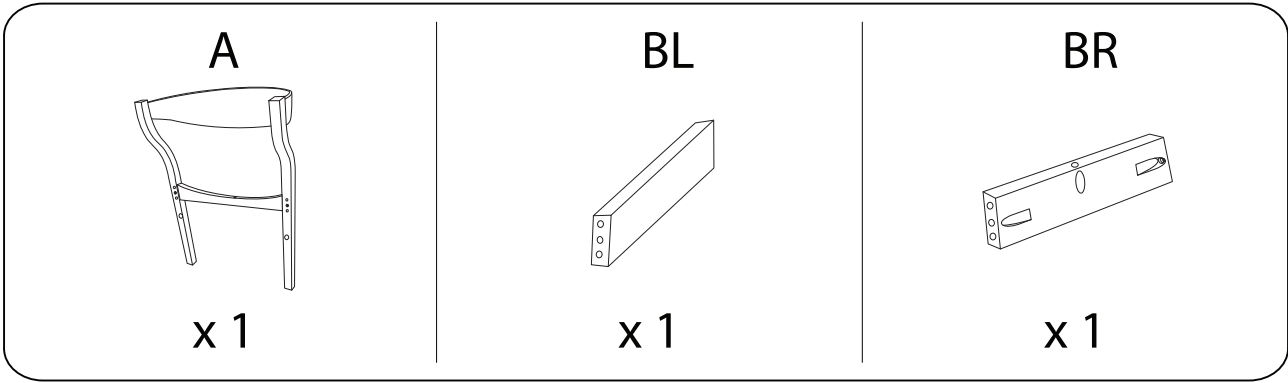
# MAROA



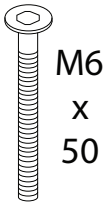


Assembly instructions for step 1/6:

- Tools:** A circle containing a screwdriver and an Allen key. A power drill is shown with a diagonal line through it, indicating it should not be used.
- Warning:** A triangle with an exclamation mark.
- Time:** A clock icon with the text "45'" below it.
- Personnel:** A stick figure icon with the number "2" below it.

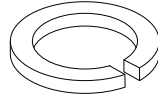


1



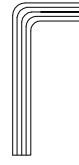
x 4

2



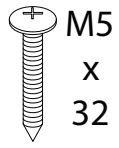
x 4

3



x 1

4



x 9

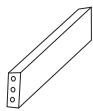
5



x 8

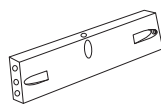
1

BL



x 1

BR

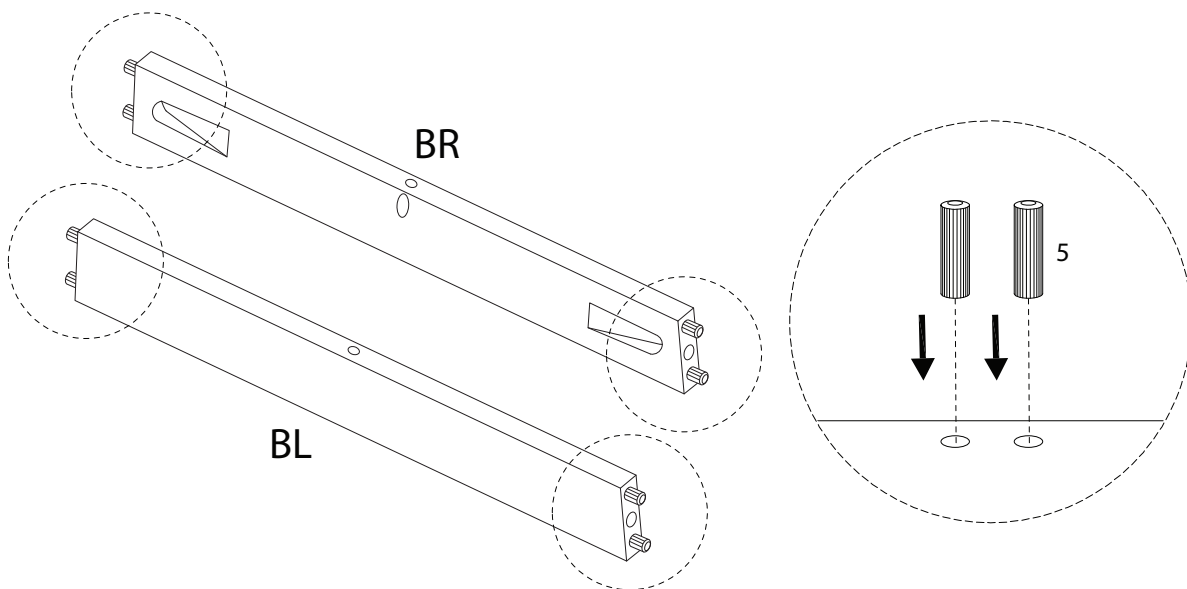


x 1

5



x 8



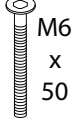
2

E



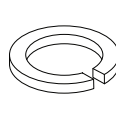
x 1

1



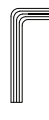
x 2

2

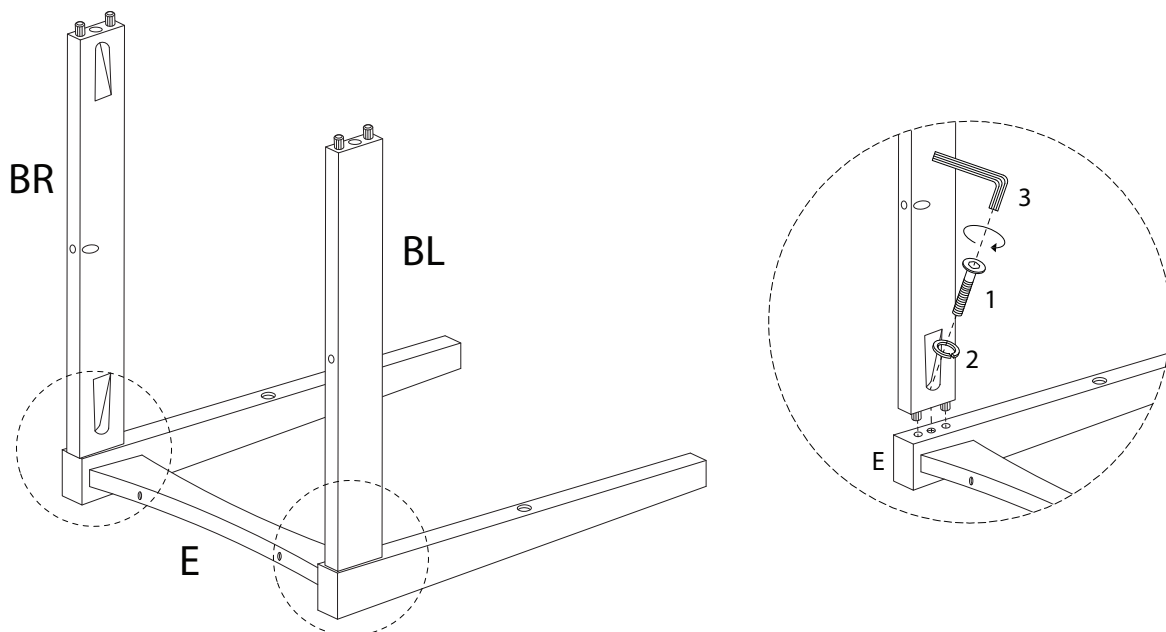


x 2

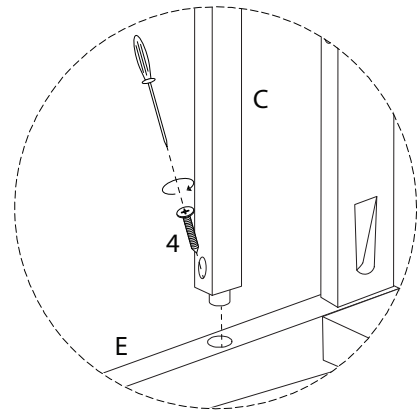
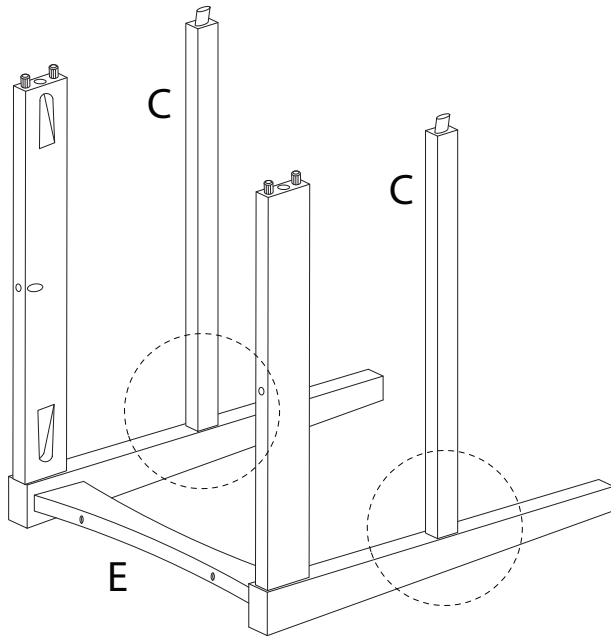
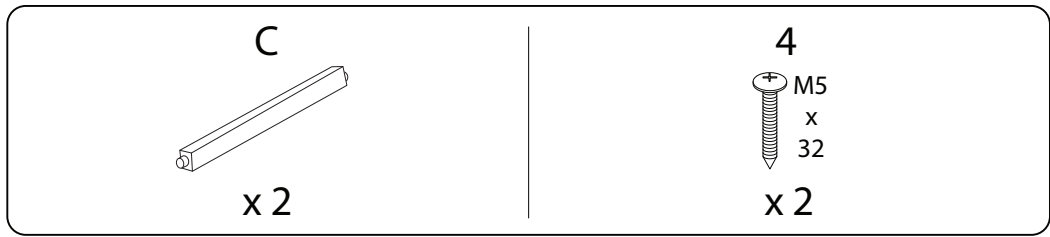
3



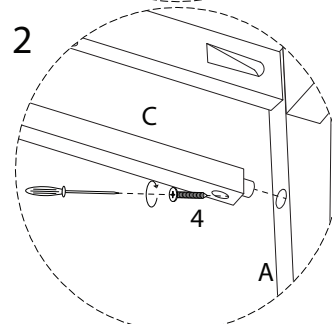
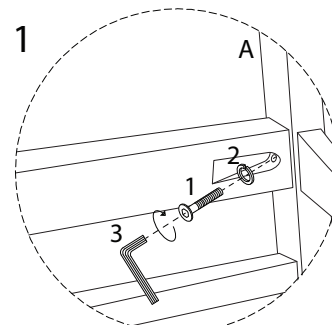
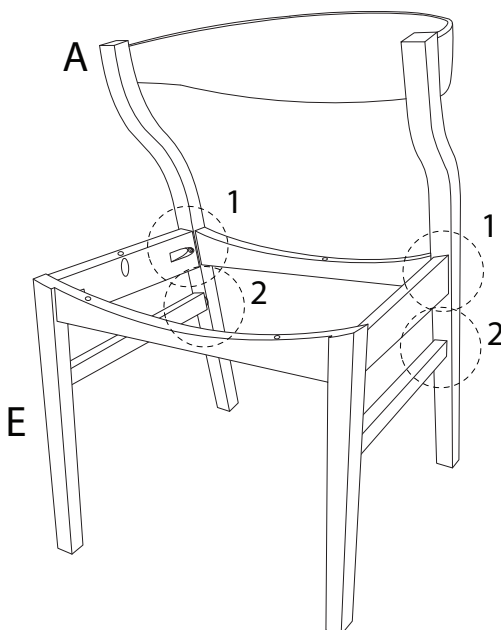
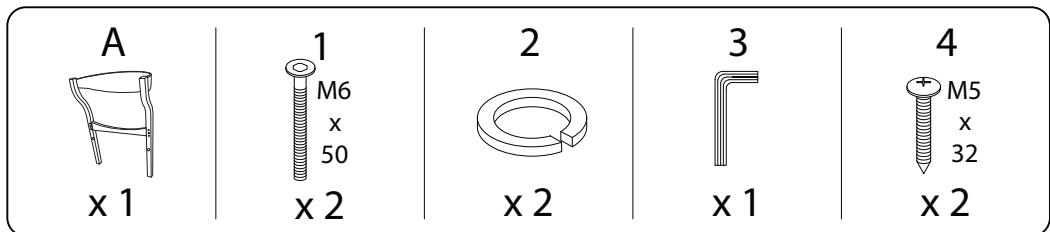
x 1



3



4



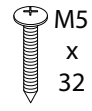
5

D



x 1

4



x 5

D

