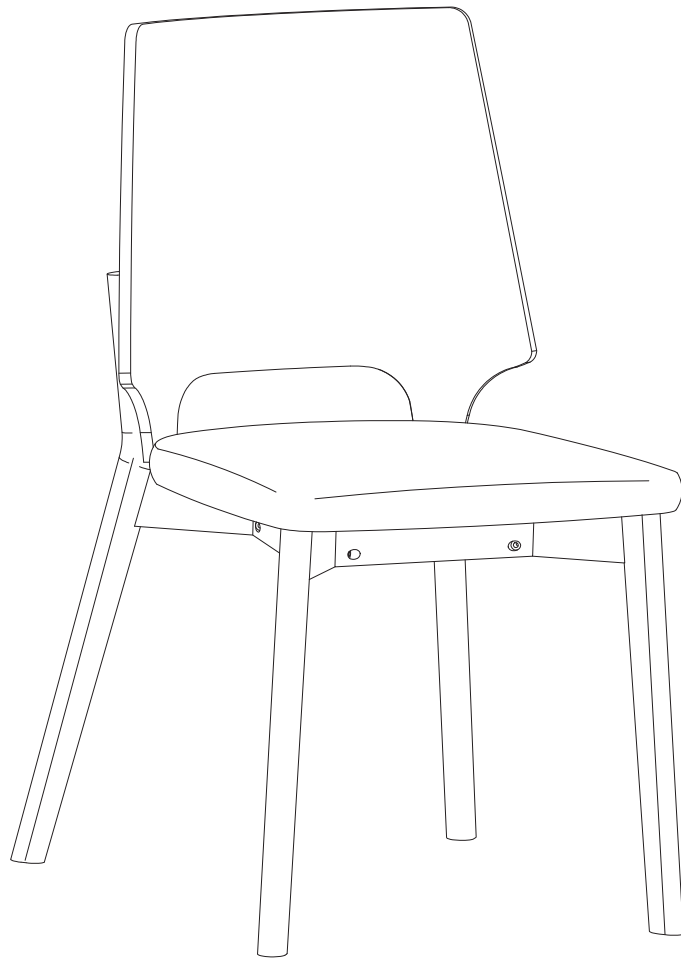
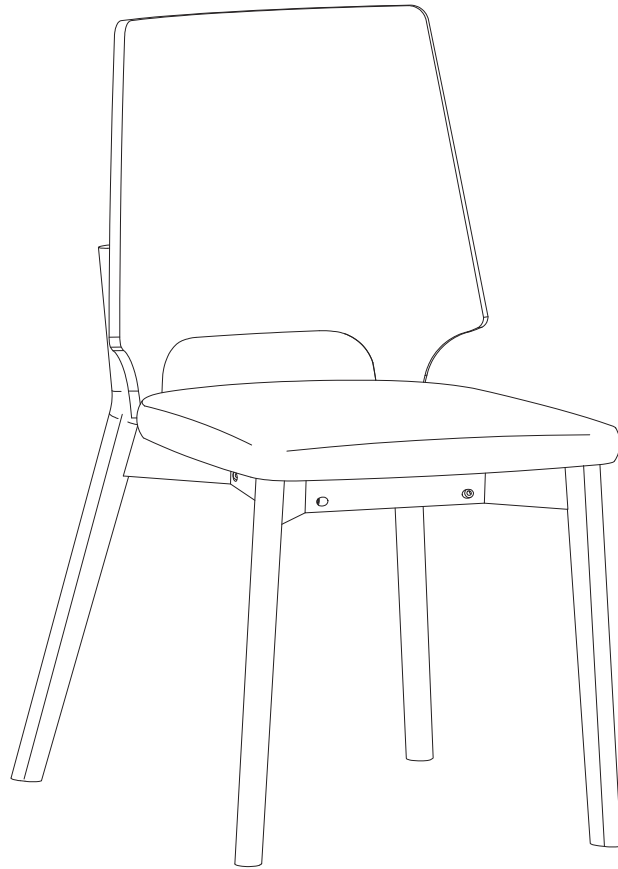
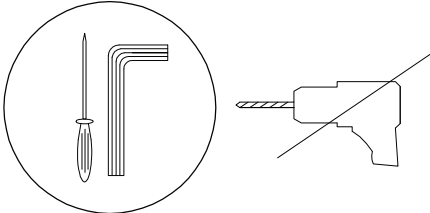

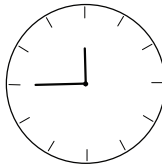
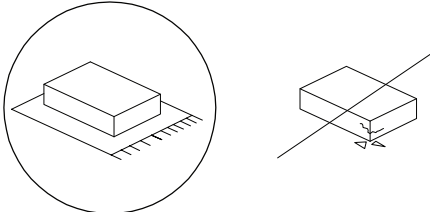


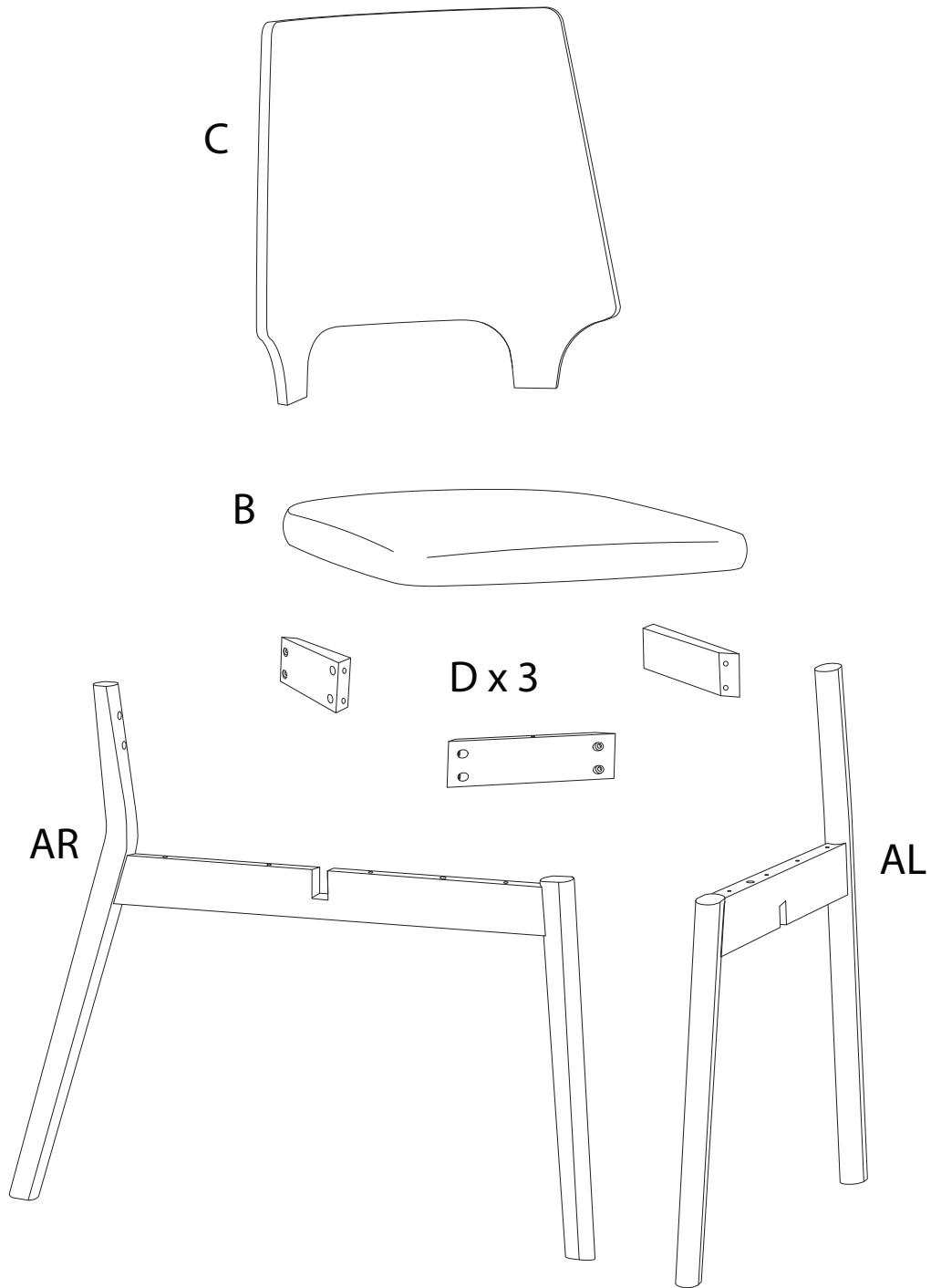


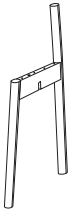
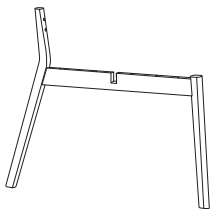

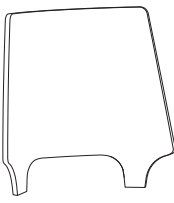

# ABEE



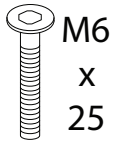


		
		<b>45'</b>
		
		<b>2</b>



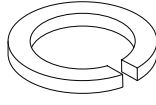
AL	AR	B	C	D
				
x 1	x 1	x 1	x 1	x 1

1



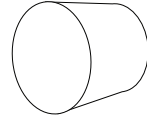
x 4

2



x 4

3



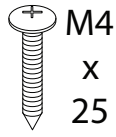
x 4

4



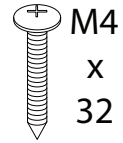
x 1

5



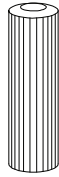
x 12

6



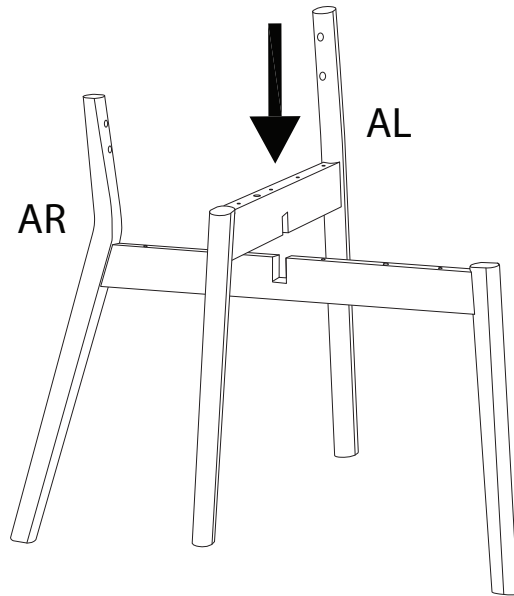
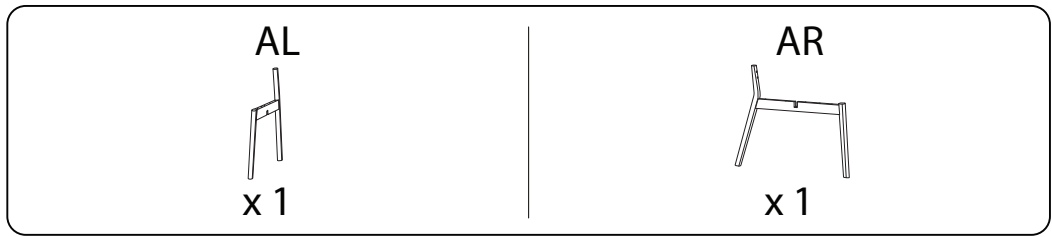
x 8

7

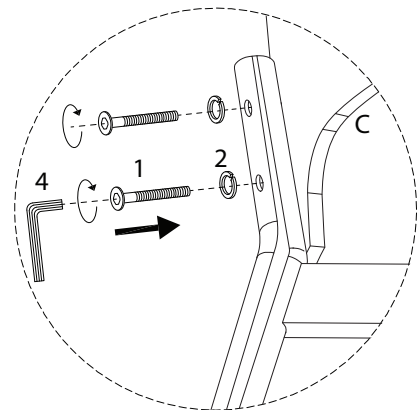
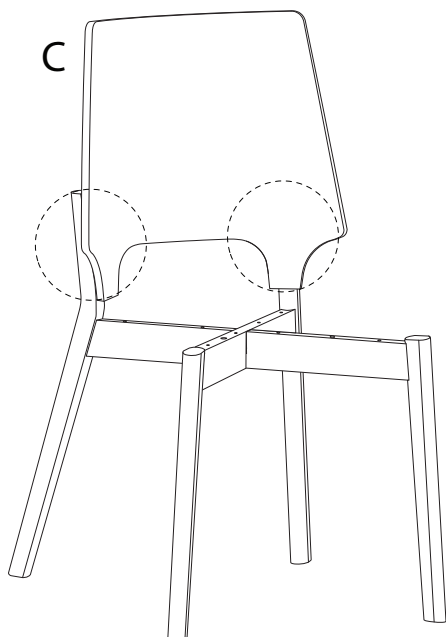
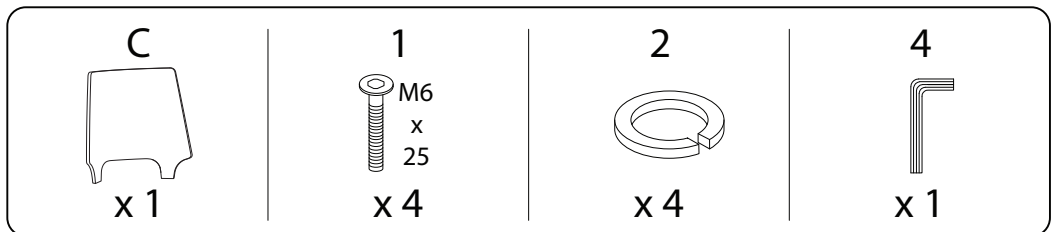


x 2

1



2

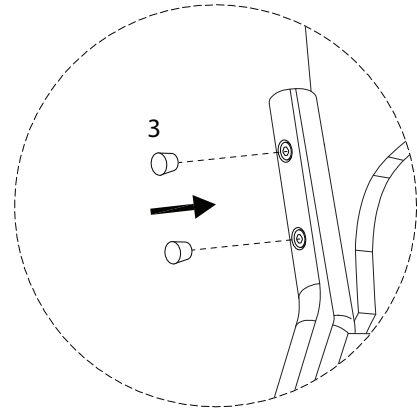
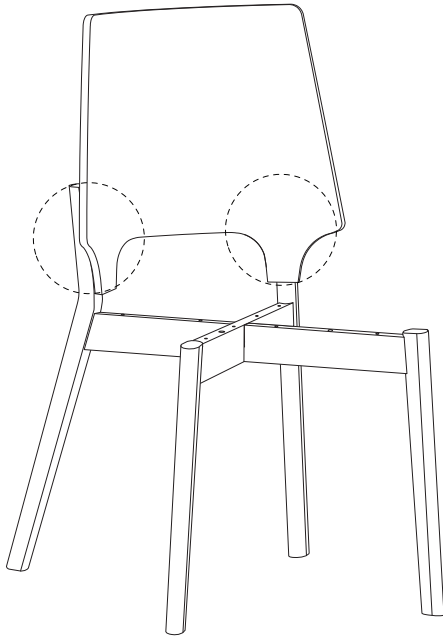


3

3



x 4



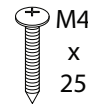
4

D

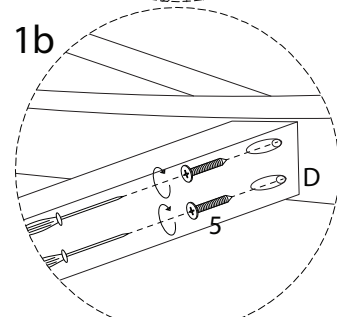
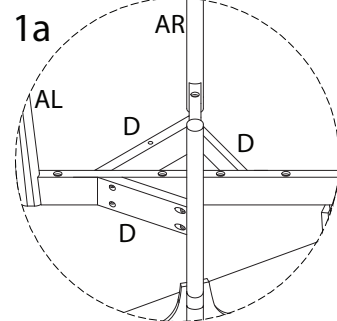
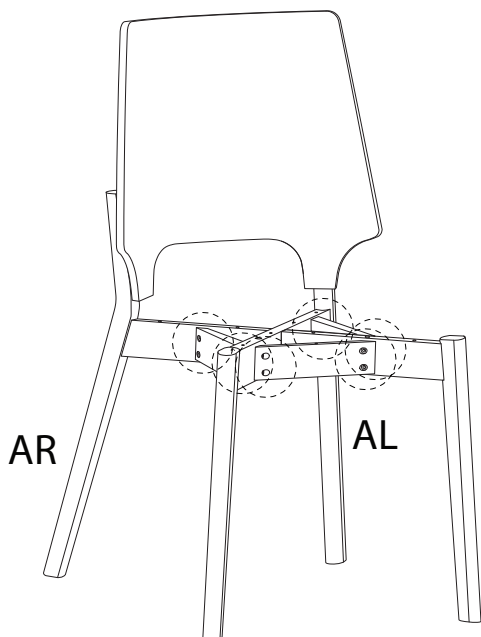


x 3

5

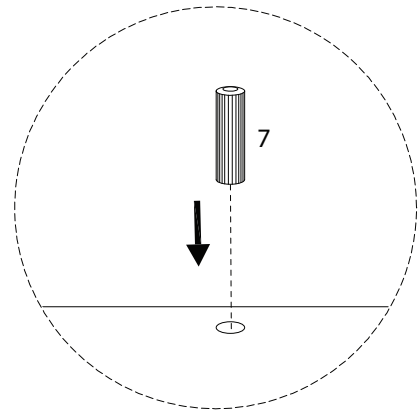
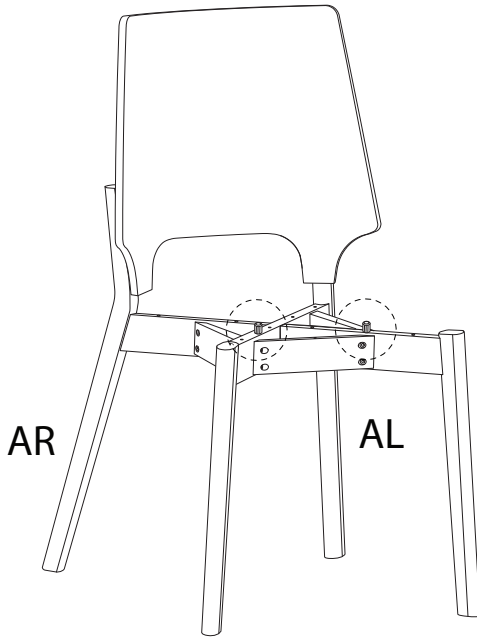


x 12



5

7  
x 2



6

B  
x 1

6  
M4  
x  
32  
x 8

