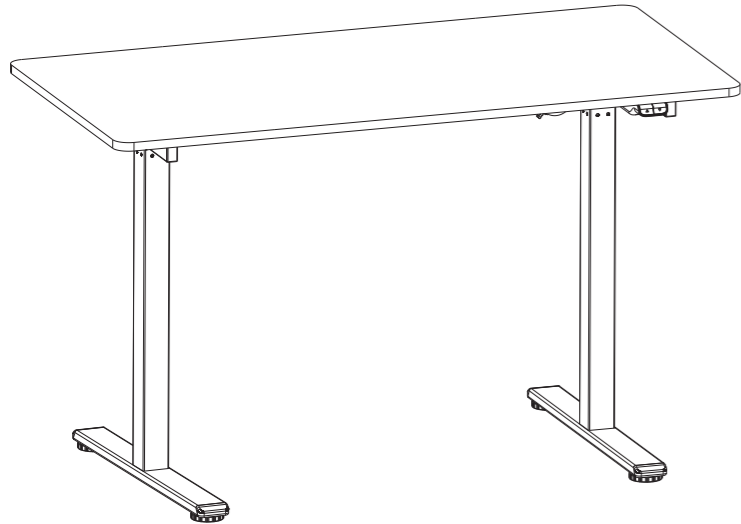


Item No.: 23338

Installation guide

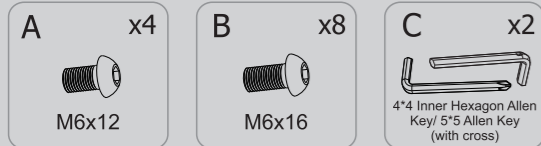


Technical data

Column Stage	2
Maximum Load	50KG
Max. Speed	25mm/s
Input Voltage	100-240V
Highest Position	1230mm
Lowest Position	730mm
Desktop Size	1200x600x16mm(Particle board)
Duty Cycle	10% (Work continuously for 2 minutes, pause for 18 minutes)
Applicable Temperature	0-40°C

Accessory list

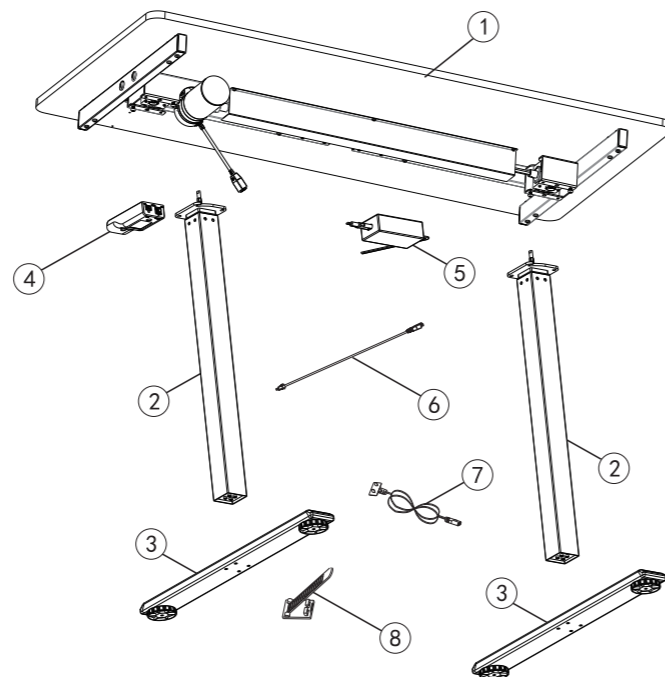
Attention: The drawings below are for guidance only and they may differ slightly from the product and fittings received. Please contact customer service if there are any missing tools or installation problems.



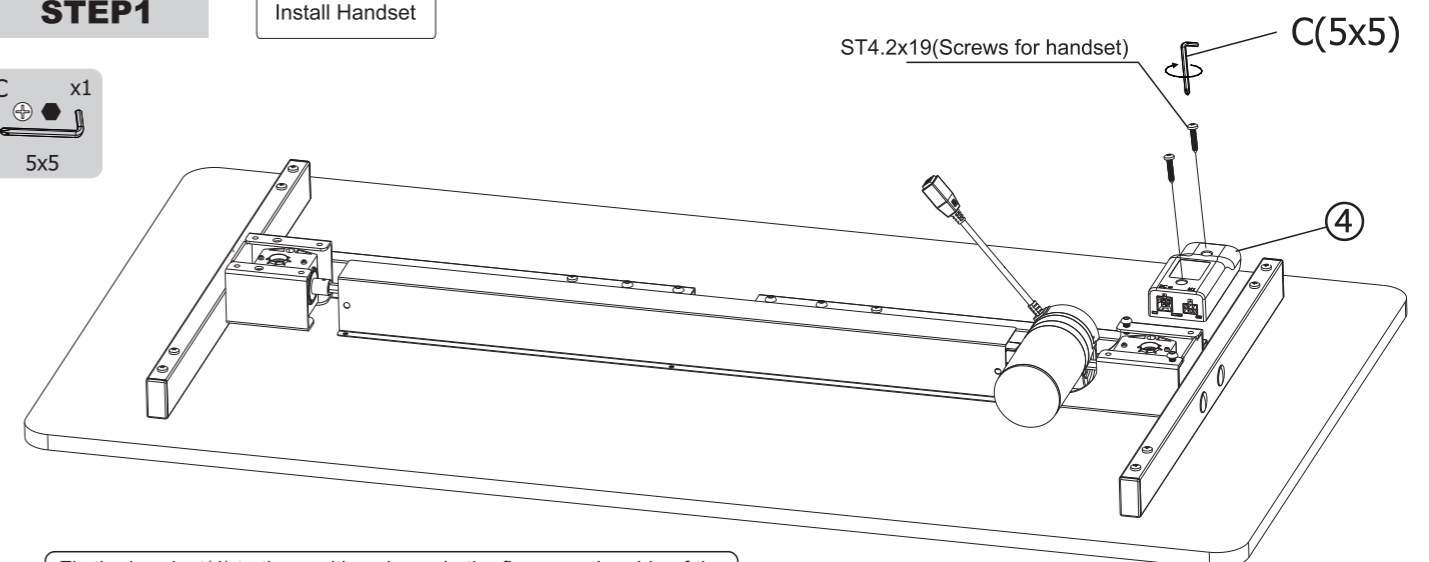
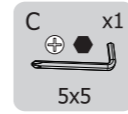
Component List

No.	Part	Qty	No.	Part	Qty
①	Tabletop Assembly	1	②	Lifting Column	2
③	Pedestal	2	④	Handset	1
⑤	Adapter	1	⑥	Switch Cord	1
⑦	Power Plug	1	⑧	Cable Tie	4

Installation Diagram

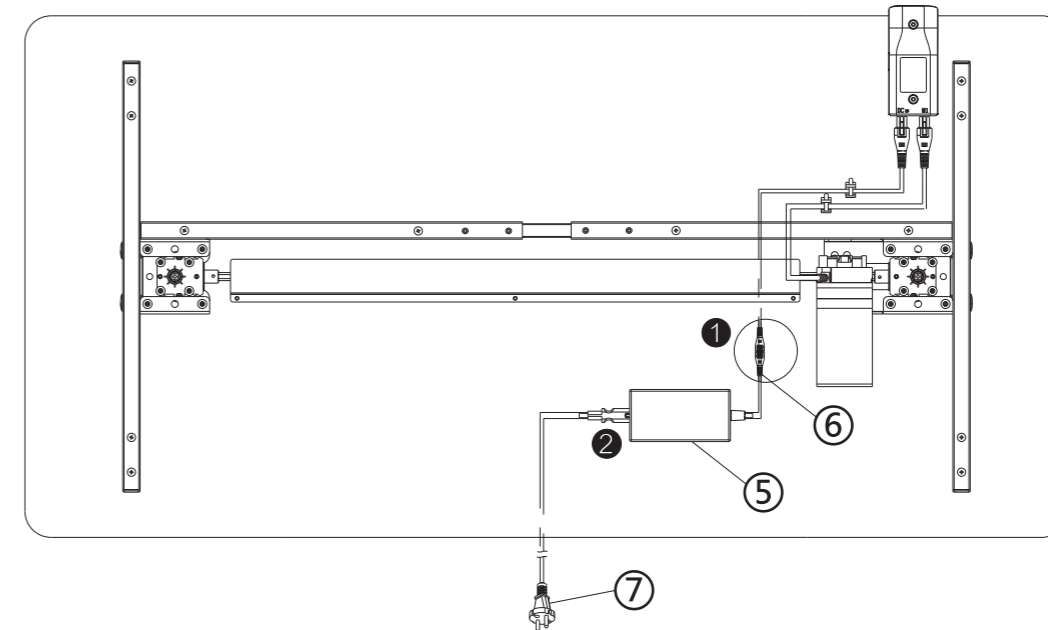


STEP1 Install Handset

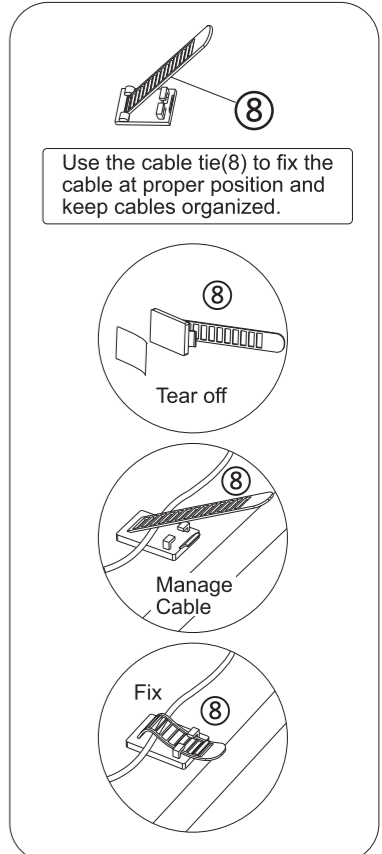
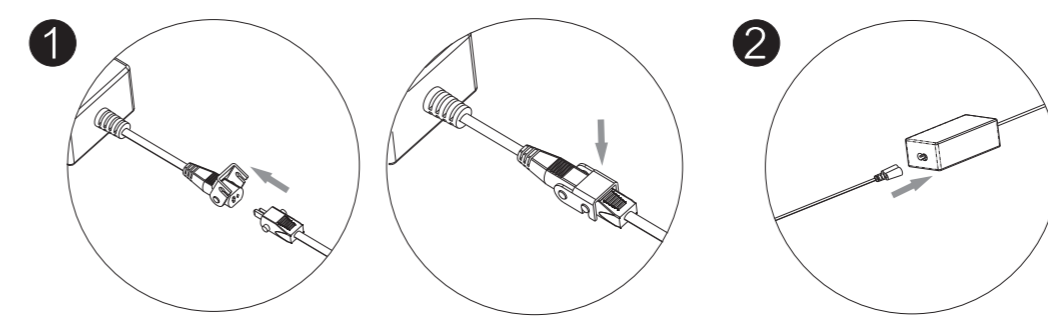


Fix the handset(4) to the position shown in the figure on the side of the tabletop with motor, and use the 5x5 allen key(C) to tighten ST4.2x19 screws for handset.

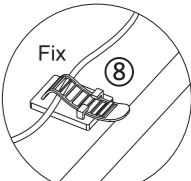
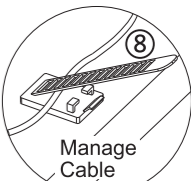
STEP2 Wire and fix cables



Connect switch cord(6), motor line, handset(4) and adapter(5) as shown in the figure, and use cable tie(8) to keep cables organized, then use velcro to fix adapter at proper position under the tabletop.



Use the cable tie(8) to fix the cable at proper position and keep cables organized.

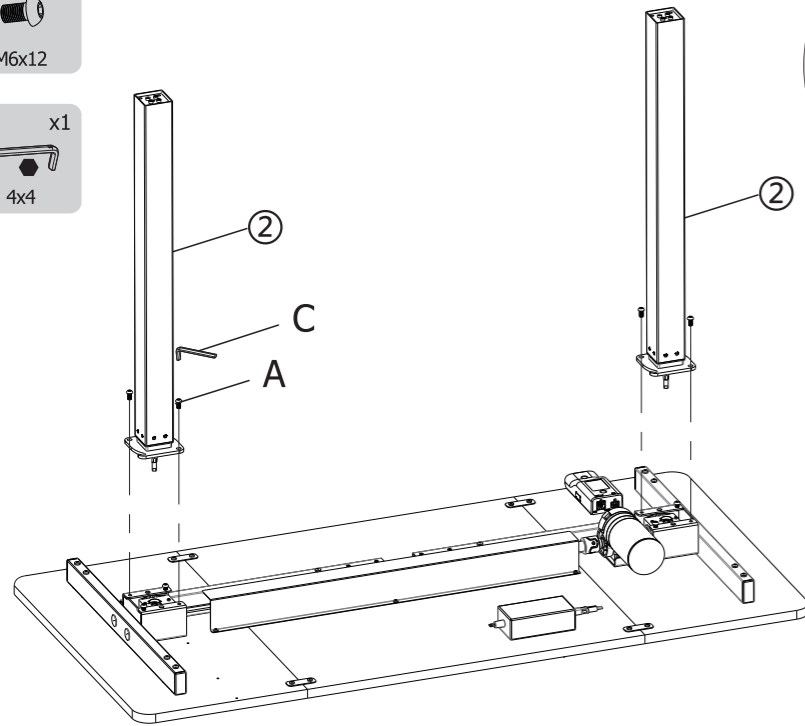


STEP3

Install Lifting Column

A x4
M6x12

C x1
4x4



1. As shown in the picture, insert lifting column into the gear box.

2. Rotate the lifting column (2) to the position as shown in the figure, rotate clockwise by 45° after full insertion.

3. After rotating, first use the 4x4 allen key (C) to screw the screws (A) into the position shown in the figure, and then tighten the 8 screws.

How to use handset

●	“▲”	Adjust the desk upwards
●	“▼”	Adjust the desk downwards

Operation

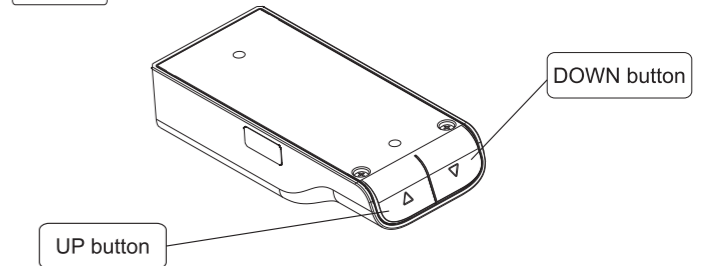
- **Button Lift Function**
Press the “▲” or “▼” button to adjust the height of the desk.
- **Reset Function**
(1) When at the lowest position, long press the “▼” button for more than 5 seconds to enter the reset mode. The reset will be finished until the lift system rebound and stop after reaching the bottom.
(2) When the lifting system fails, release the button, long press the “▼” button, the reset will be finished until the lift system rebound and stop after reaching the bottom.

Common fault treatment

The following tips will help you detected and eliminate the common fault and error. If the fault you met is not listed below, please contact with your supplier. Only the manufacturer and professionals are capable for investigating and correcting those fault and error.

Fault phenomenon	Method
No response while long pressing down arrow after connected with a power supply	1. Check if all the cables be connected well 2. Contact your supplier or dealer
The desktop could not be lifted	1. Check if overloaded, max loading: 50kg 2. Contact your supplier or dealer
Overwork (Duty cycle: Max 2min on/18min OFF)	1. Restart it after suspend for 18mins for the working time is too long 2. Contact your supplier or dealer
Go down but not go up	1. Reset 2. Contact your supplier or dealer
Downward sliding	1. Check if overloaded, max loading: 50kg 2. Contact your supplier or dealer

Button



Attention

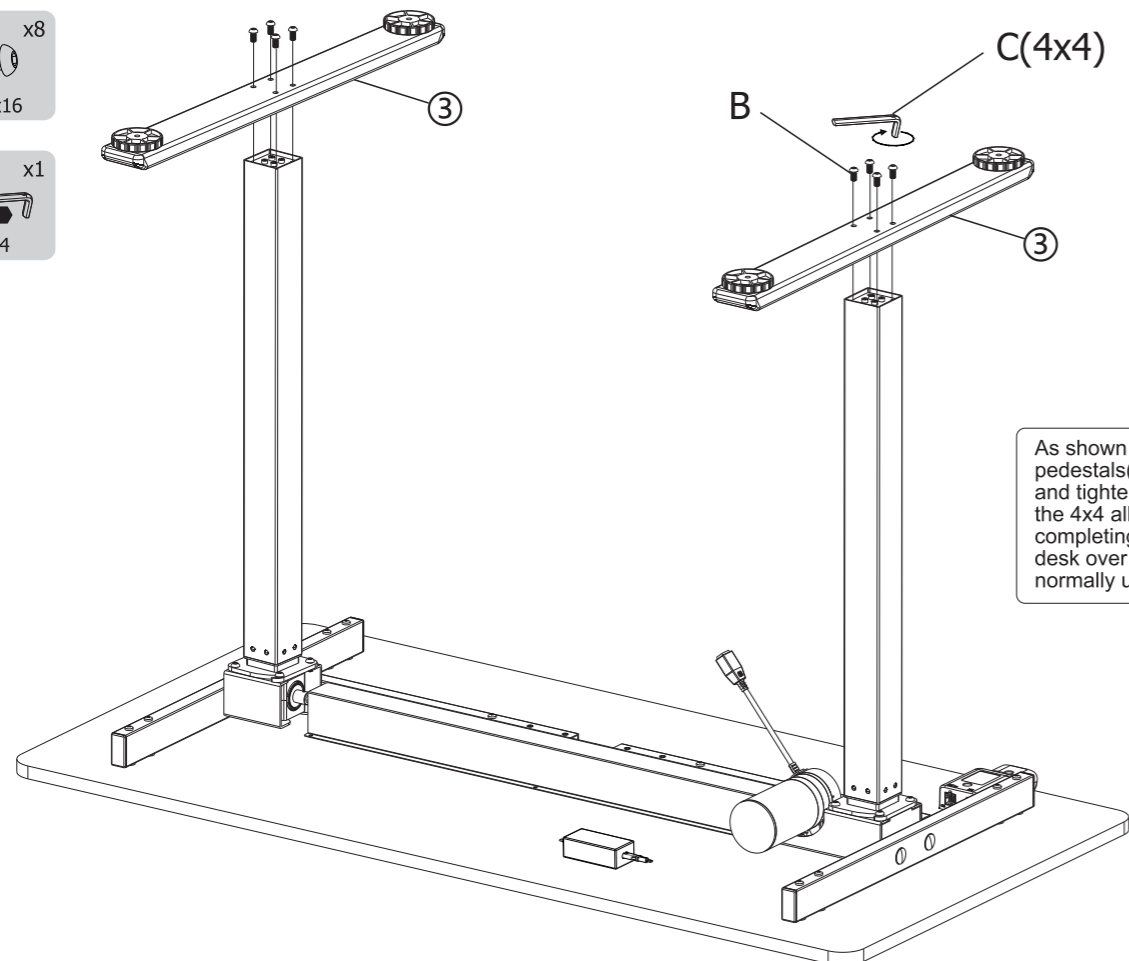
1. Power supply: AC100V~240V, 50/60HZ
2. Service Environment: 0-40°C
3. Unplug the power plug before cleaning, wipe the dust on surface with slight wet dishcloth when cleaning, be careful not to let the drops into the internal parts, not loose the connector.
4. The electric box contains electronic components, metals, plastics, wires etc., so dispose of it in accordance with each country's environmental legislation, not the general household waste.
5. Check carefully to ensure correct and complete assembly before using.
6. Be familiar with all functions and program settings of the product before first use.
7. Children are forbidden to play on the product because of unforeseen action when playing, so any dangerous consequences caused by this improper action will not be on manufacturers.
8. Slight noise caused by the V-ribbed belt or brake system due to structure will not have any effect on the use of the equipment.
9. Corrosive or abrasive materials are forbidden to clean the equipment. Must ensure that the cleaner used will not pollute the environment.
10. Please make sure there is no hazard sources in your operating environment. e.g., do not litter the tools around. Always be careful to treat the packaging materials in order to avoid any possible danger, e.g. plastic bag may lead to choking hazard to children.
11. Keep the original package of the equipment if necessary in case of the future use in transportation.
12. If there appears damage of the power cord, please contact the manufacturer or a professional for replacement.

STEP4

Install Pedestal

B x8
M6x16

C x1
4x4



As shown in the figure, install the pedestals (3) on the columns (2), and tighten the 8 screws (B) with the 4x4 allen key (C). After completing installation, turn the desk over and then it can be normally used after plugging in.

Waste disposal



This marking indicates that this product should not be disposed with other household wastes. To prevent possible harm to the environment or human health from uncontrolled waste disposal, recycle it responsibly to promote the sustainable reuse of material resources. To return your used device, please use the return and collection systems or contact the retailer where the product was purchased. They can take this product for environmental safe recycling.

Beliani (International) GmbH,
Haldenstrasse 5, 6340 Baar, Switzerland