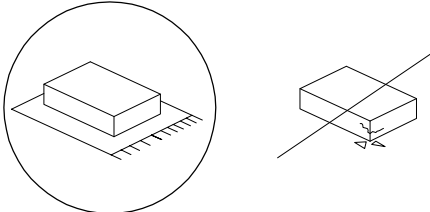
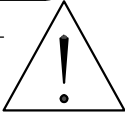

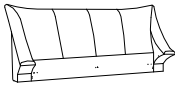

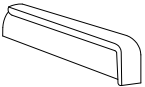
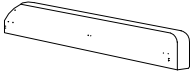


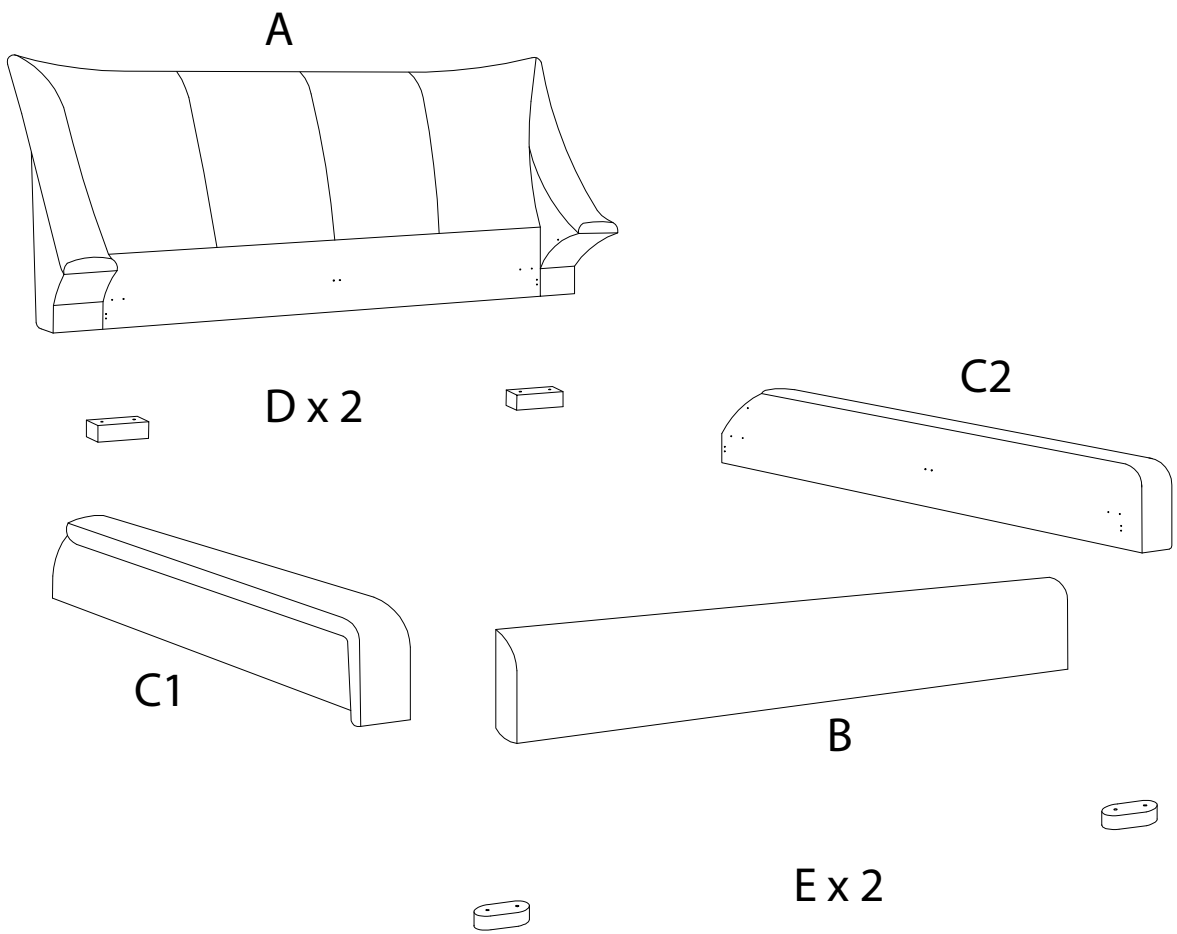
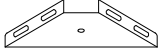
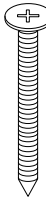
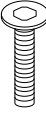
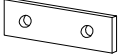
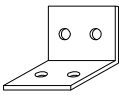
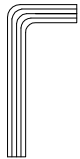
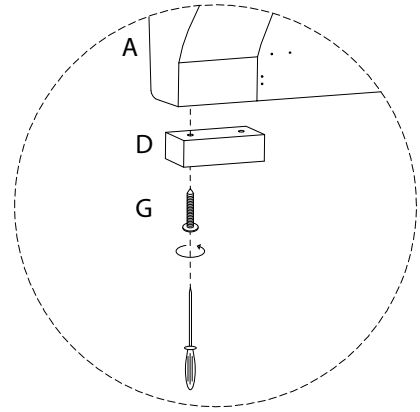
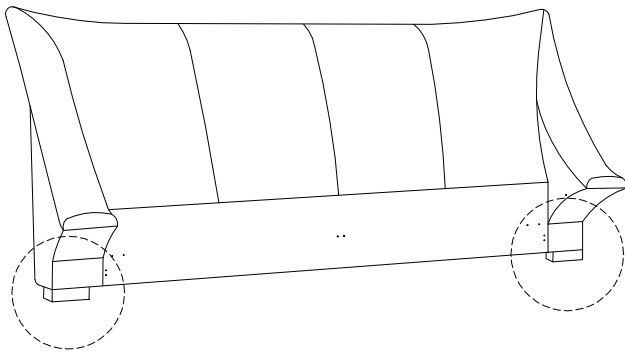
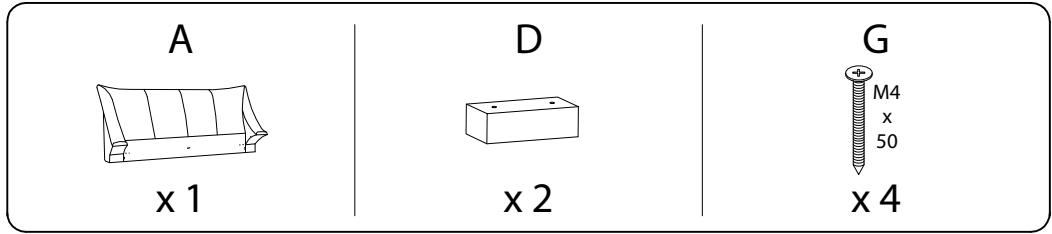

		40'
		
		2

A	B	C1	C2	D	E
					
x 1	x 1	x 1	x 1	x 2	x 2

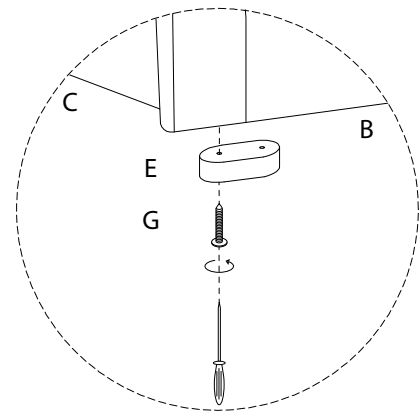
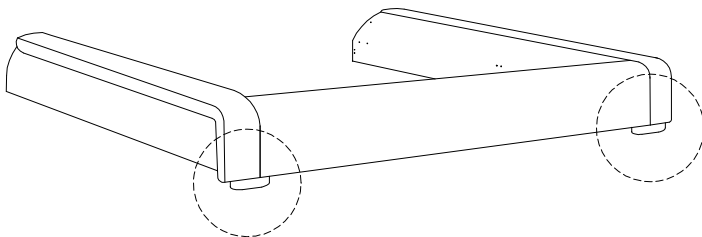
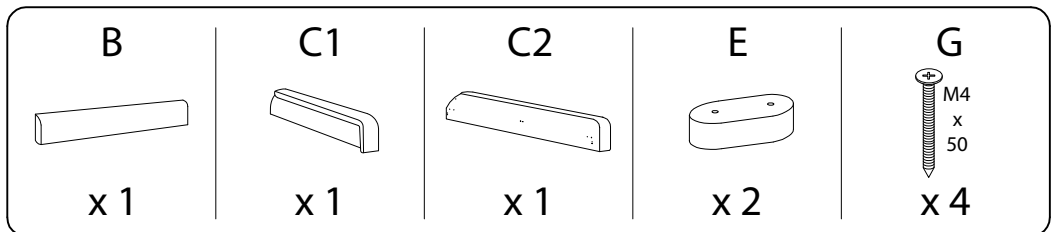


F	G	H	I	J	K
					
x 4	x 8	x 44	x 2	x 8	x 1

1



2



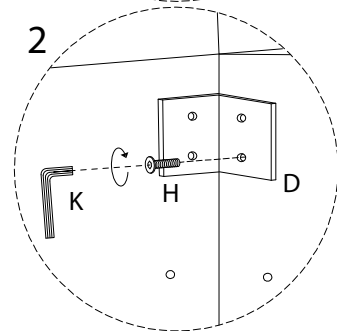
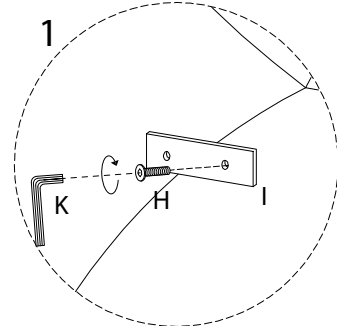
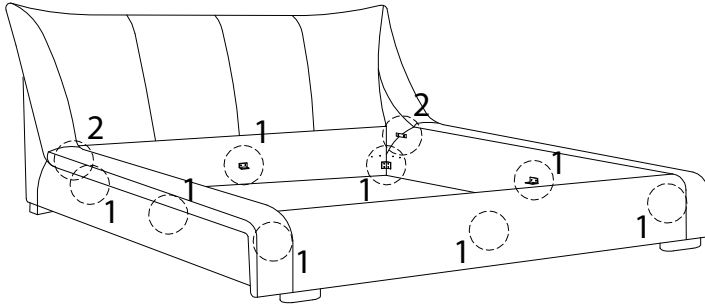
3

H
M8
x
25
x 28

I
x 2

J
x 8

K
x 1

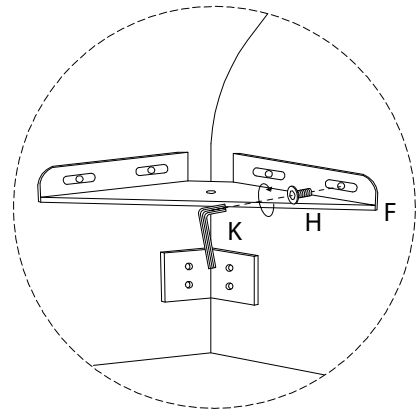
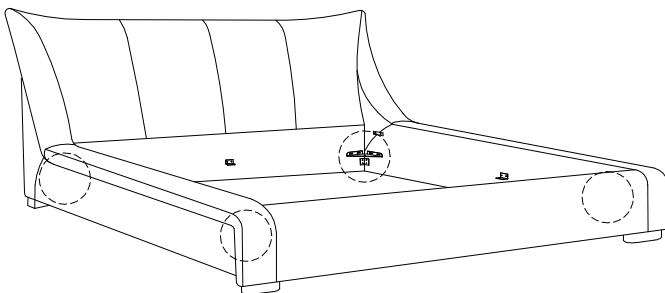


4

F
x 4

H
M8
x
25
x 16

K
x 1



!

