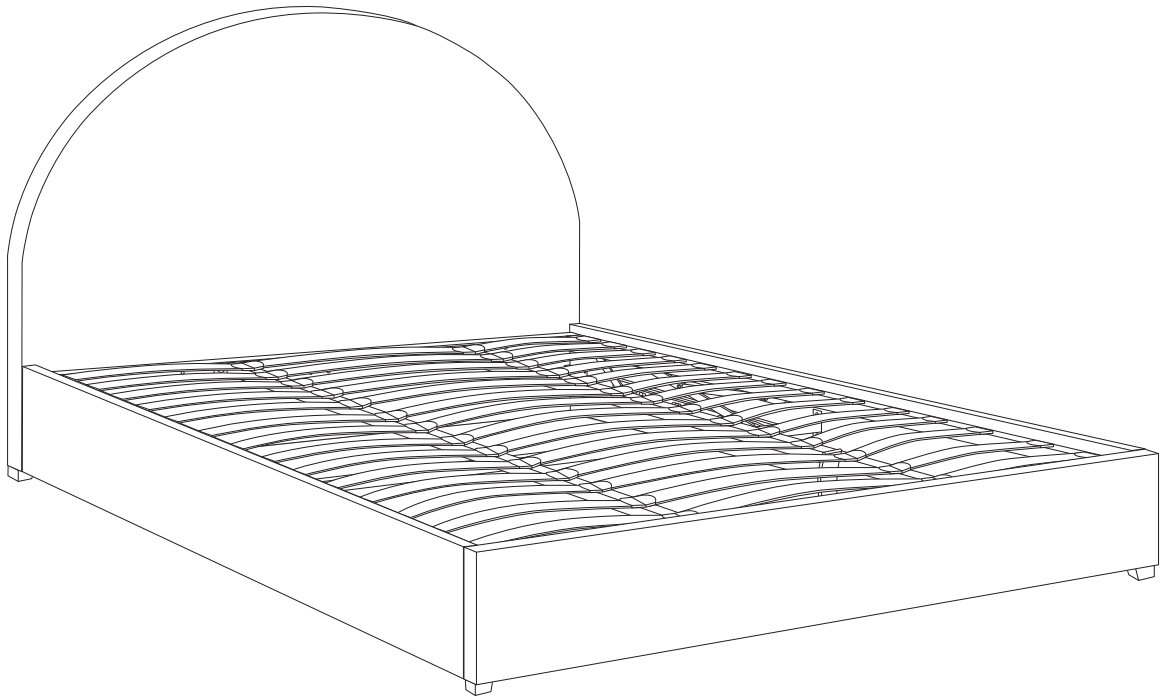
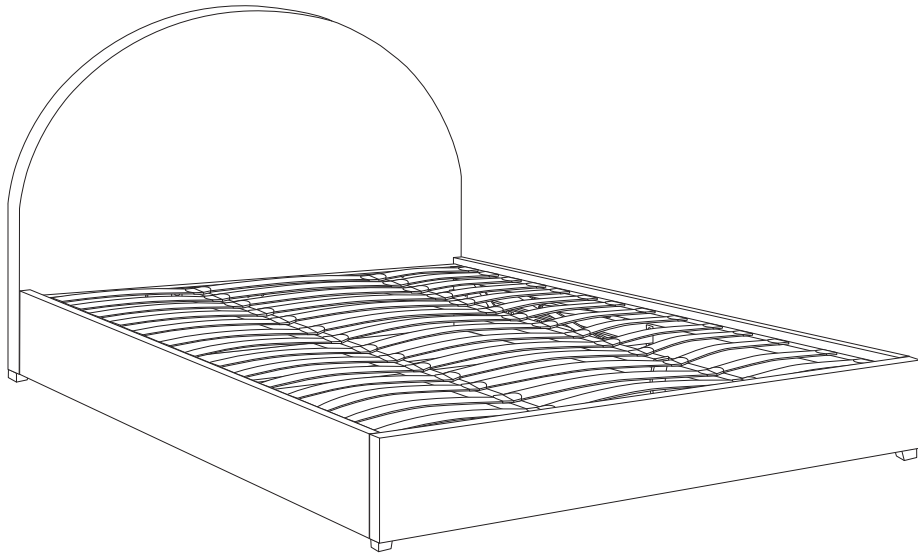
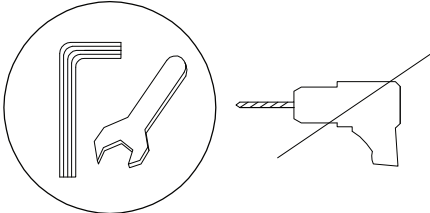

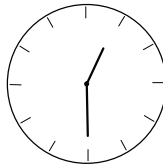
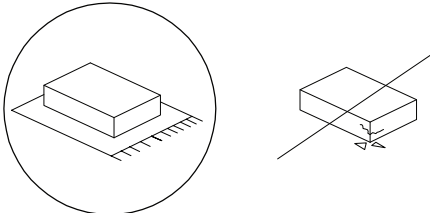


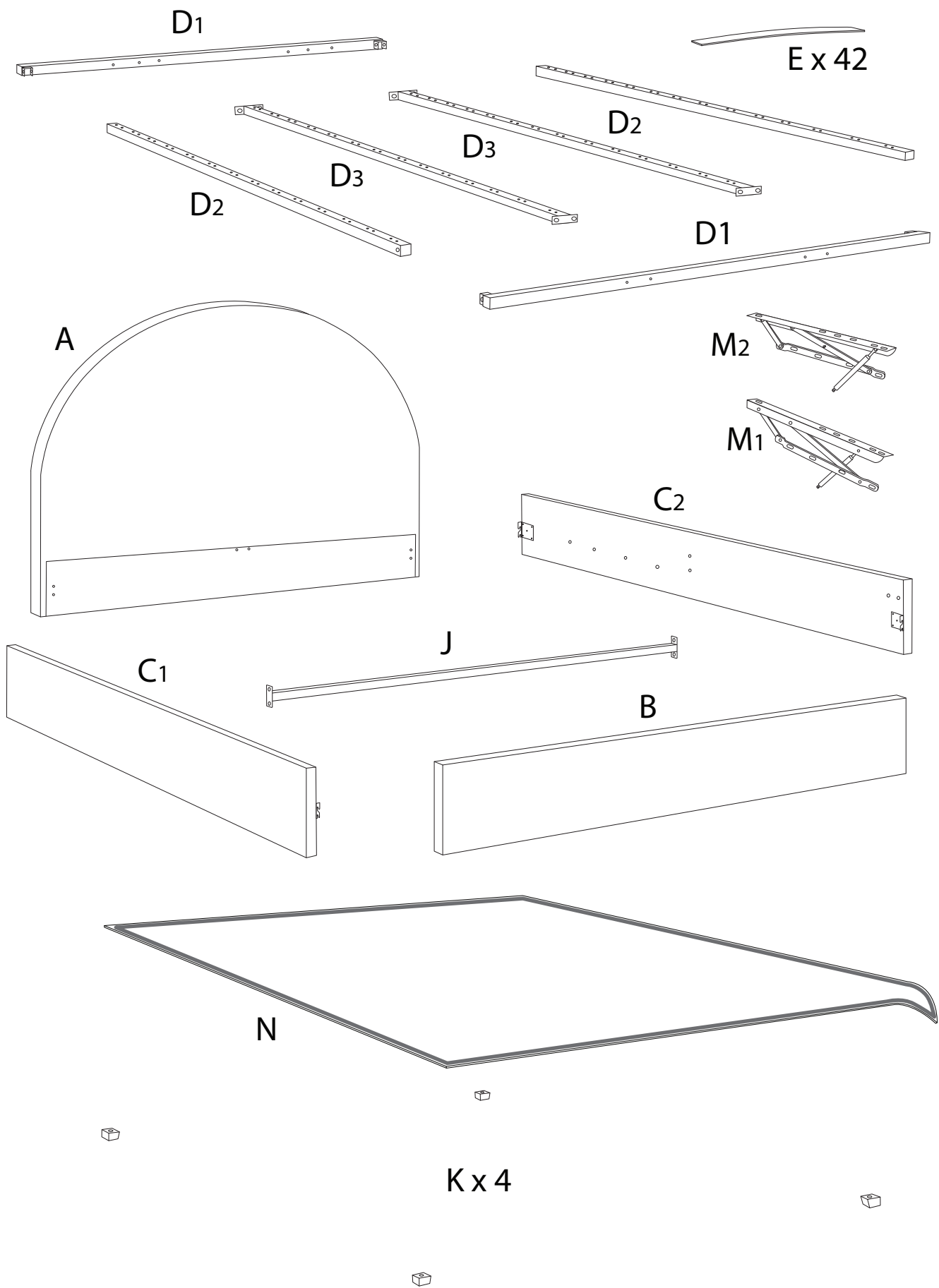


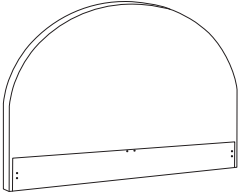
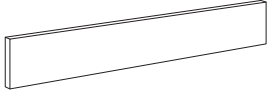
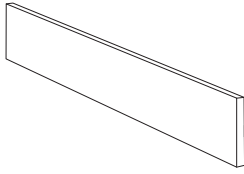
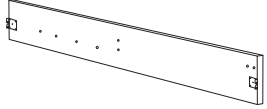

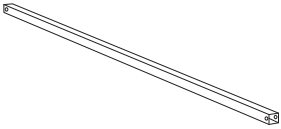
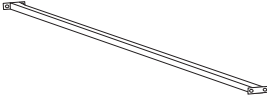

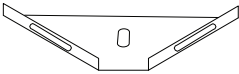

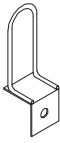
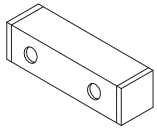

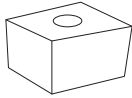
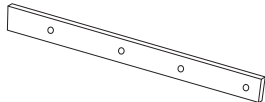
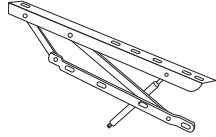
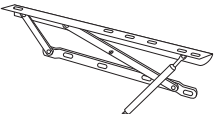
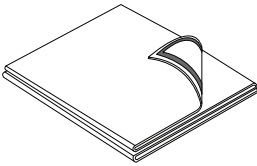
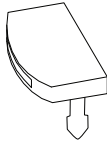
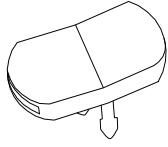
VAUCLUSE

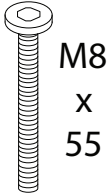
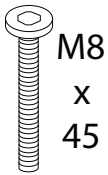

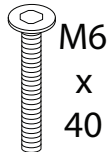

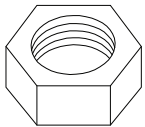
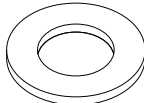
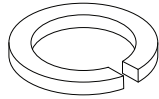
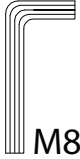
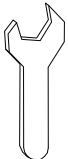
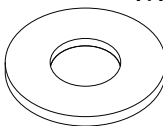
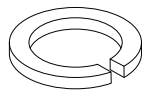

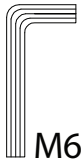
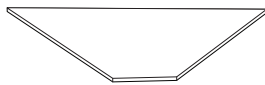
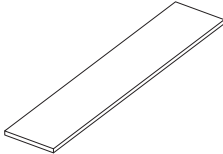




		
		
		2

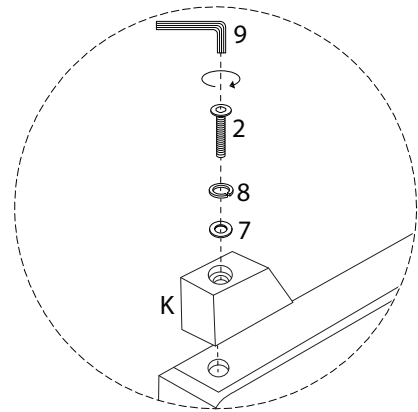
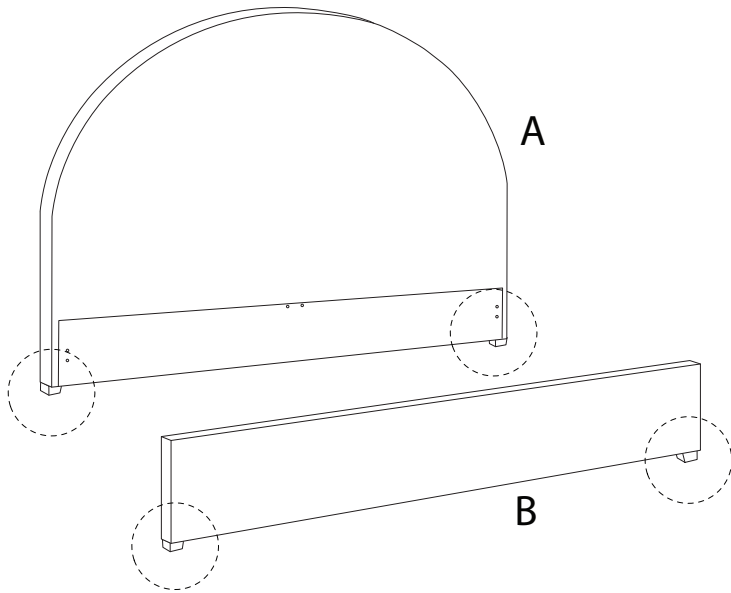


<p>A</p>  <p>x 1</p>	<p>B</p>  <p>x 1</p>	<p>C1</p>  <p>x 1</p>	<p>C2</p>  <p>x 1</p>
<p>D1</p>  <p>x 2</p>	<p>D2</p>  <p>x 2</p>	<p>D3</p>  <p>x 2</p>	<p>E</p>  <p>x 42</p>
<p>F</p>  <p>x 2</p>	<p>G</p>  <p>x 1</p>	<p>H</p>  <p>x 2</p>	<p>I</p>  <p>x 2</p>
<p>J</p>  <p>x 1</p>	<p>J</p>  <p>x 4</p>	<p>L</p>  <p>x 2</p>	<p>M1</p>  <p>x 1</p>
<p>M2</p>  <p>x 1</p>	<p>N</p>  <p>x 1</p>	<p>O</p>  <p>x 28</p>	<p>P</p>  <p>x 28</p>

<p>1</p>  <p>M8 x 55</p> <p>x 4</p>	<p>2</p>  <p>M8 x 45</p> <p>x 22</p>	<p>3</p>  <p>M8 x 30</p> <p>x 8</p>	<p>4</p>  <p>M6 x 40</p> <p>x 8</p>
<p>5</p>  <p>M6 x 20</p> <p>x 12</p>	<p>6</p>  <p>x 18</p>	<p>7</p>  <p>M8</p> <p>x 34</p>	<p>8</p>  <p>M8</p> <p>x 34</p>
<p>9</p>  <p>M8</p> <p>x 1</p>	<p>10</p>  <p>x 1</p>	<p>11</p>  <p>M6</p> <p>x 20</p>	<p>12</p>  <p>M6</p> <p>x 20</p>
<p>13</p>  <p>x 1</p>	<p>14</p>  <p>M6</p> <p>x 1</p>	<p>15</p>  <p>x 2</p>	<p>16</p>  <p>x 4</p>

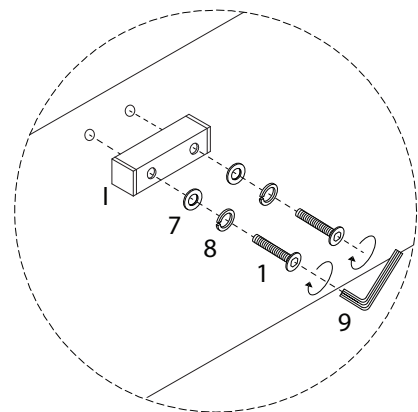
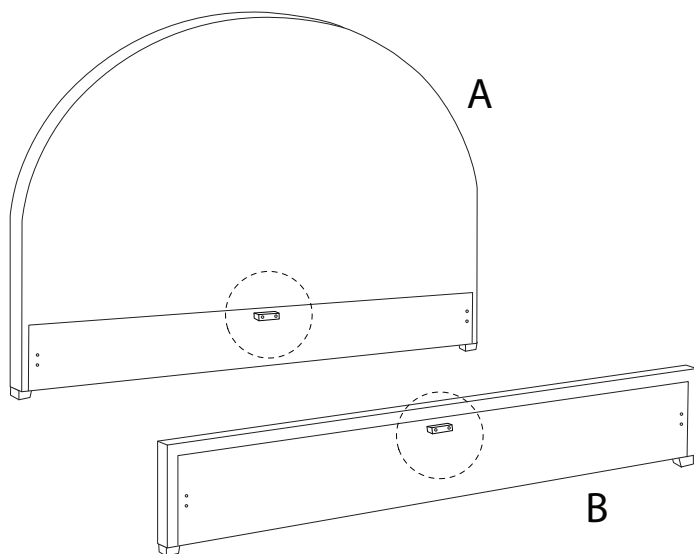
1

A x 1	B x 1	K x 4	2 M8 x 45 x 4	7 M8 x 4	8 M8 x 4	9 M8 x 1
---------------------	---------------------	---------------------	-----------------------------------	---------------------------	---------------------------	---------------------------

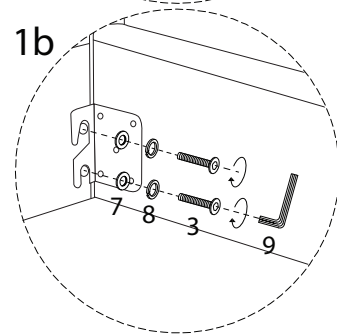
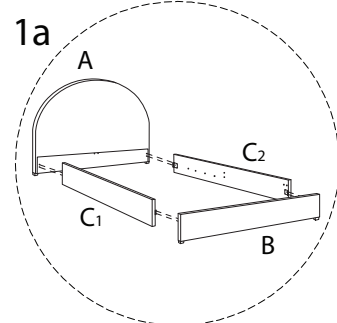
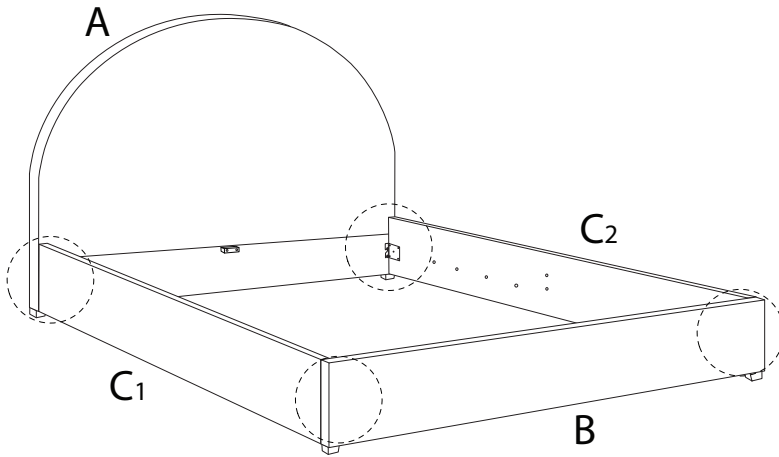
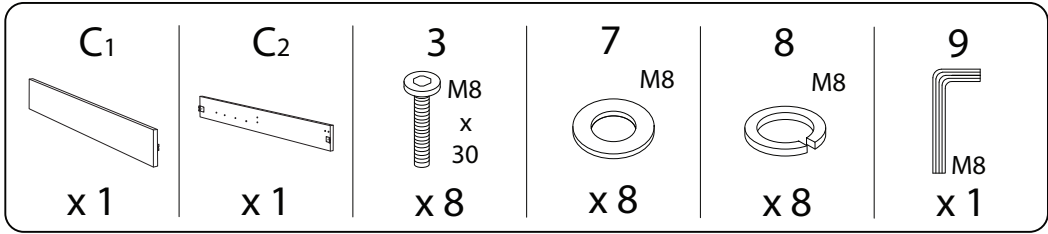


2

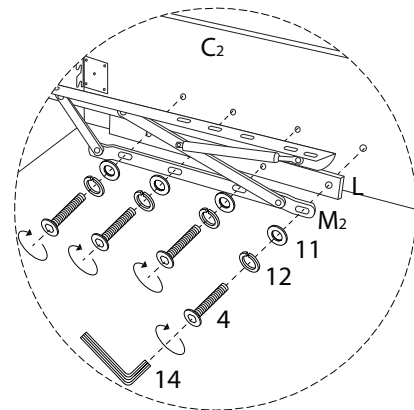
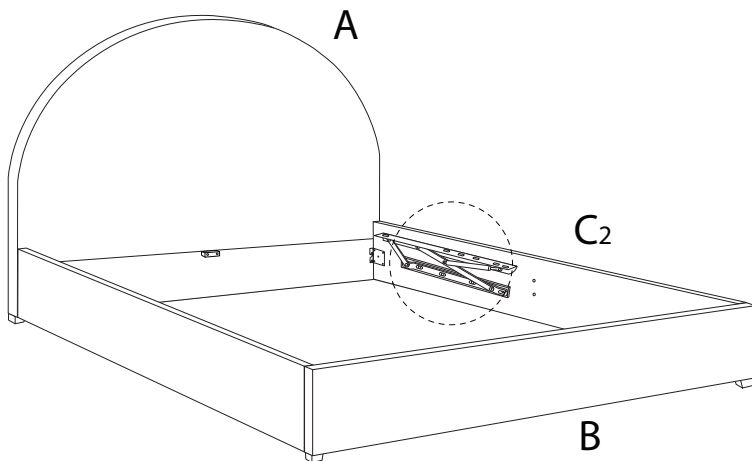
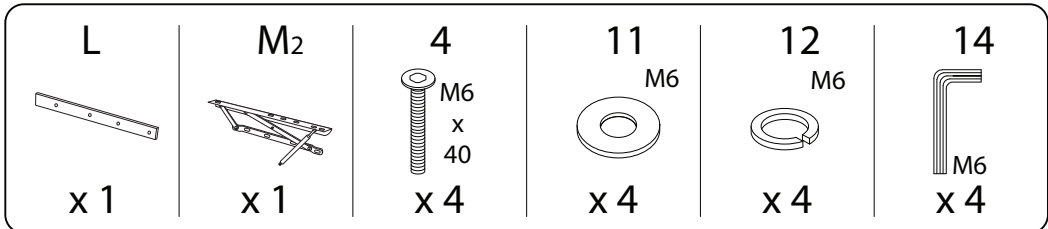
I x 2	1 M8 x 55 x 4	7 M8 x 4	8 M8 x 4	9 M8 x 1
---------------------	-----------------------------------	---------------------------	---------------------------	---------------------------



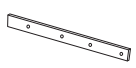
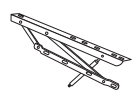
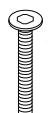
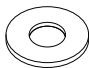
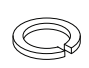
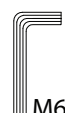
3

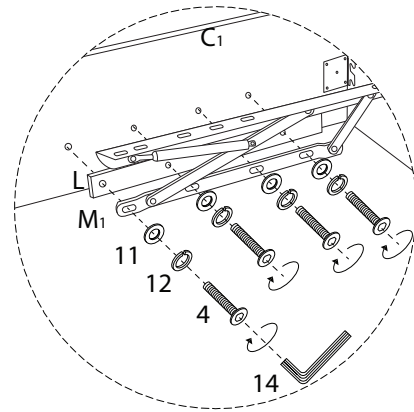
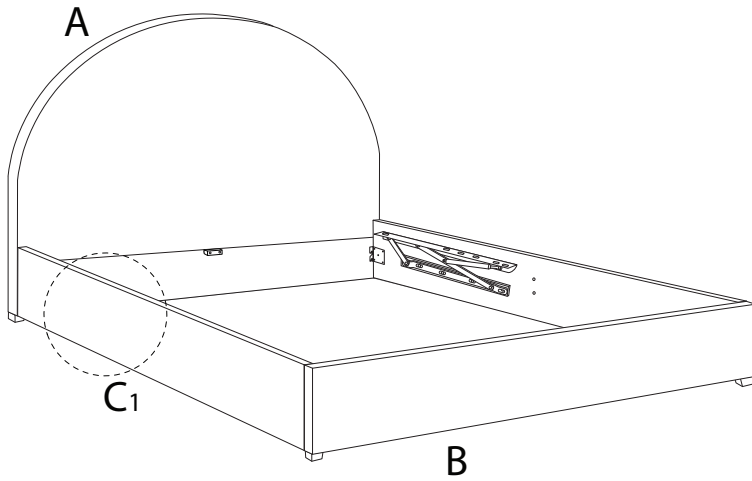


4

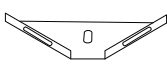
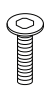
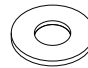

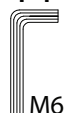


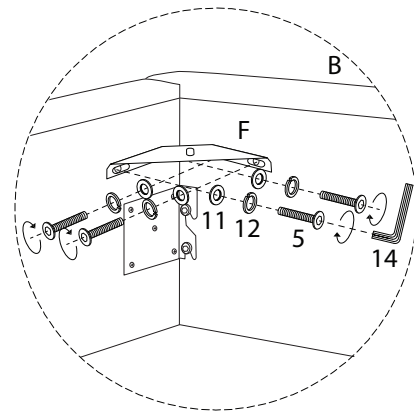
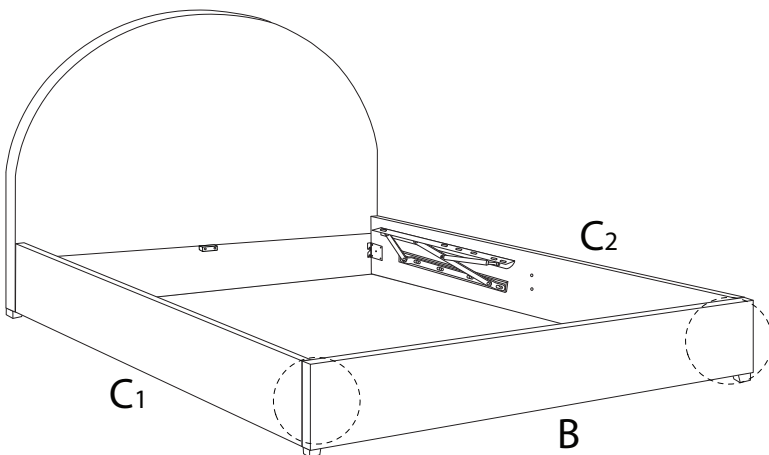
5

L  x 1	M ₁  x 1	4 M6 x 40  x 4	11 M6  x 4	12 M6  x 4	14 M6  x 1
---	--	--	---	--	--



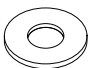
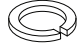
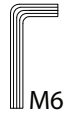


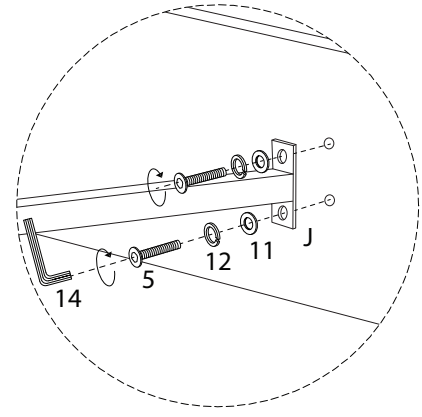
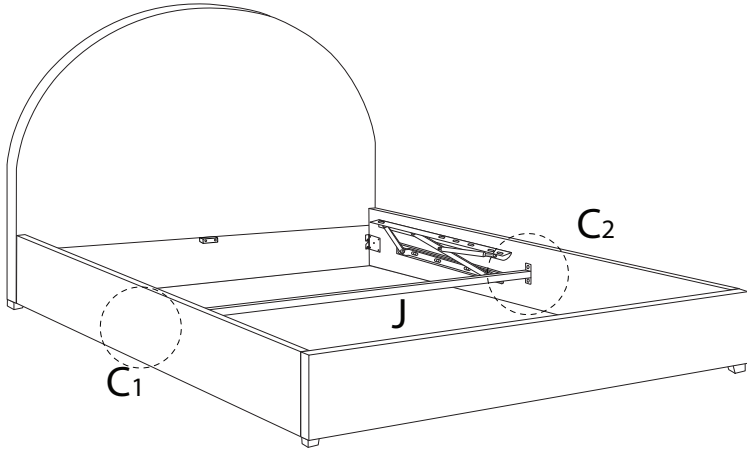
6

F  x 2	5 M6 x 20  x 8	11 M6  x 8	12 M6  x 8	14 M6  x 1
---	--	--	--	--

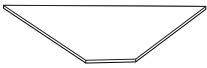


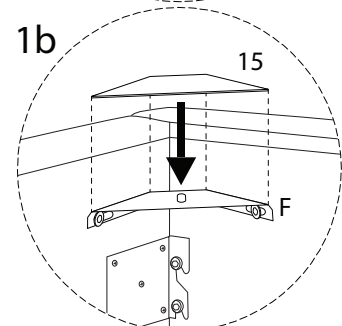
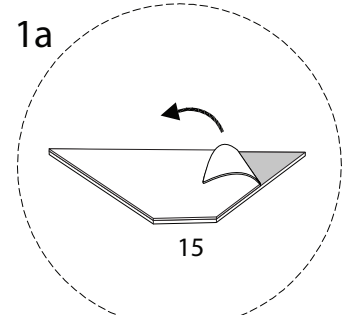
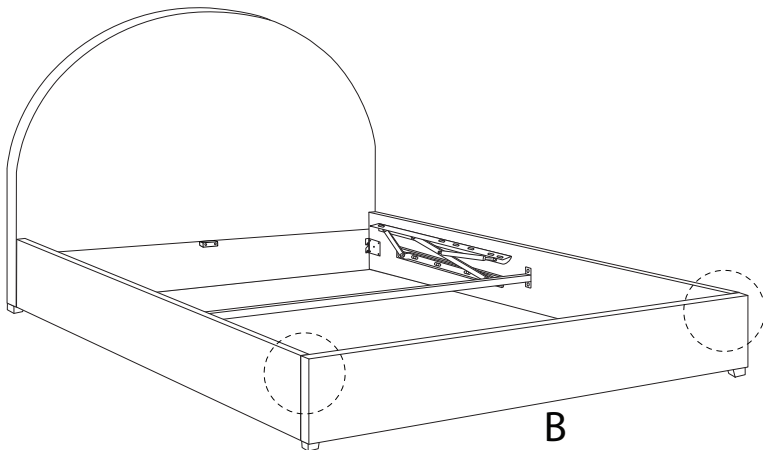
7

J  x 1	5  M6 x 20 x 4	11  M6 x 4	12  M6 x 4	14  M6 x 1
--	--	---	---	---

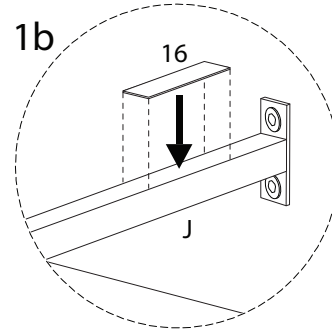
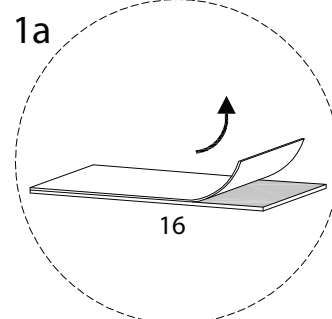
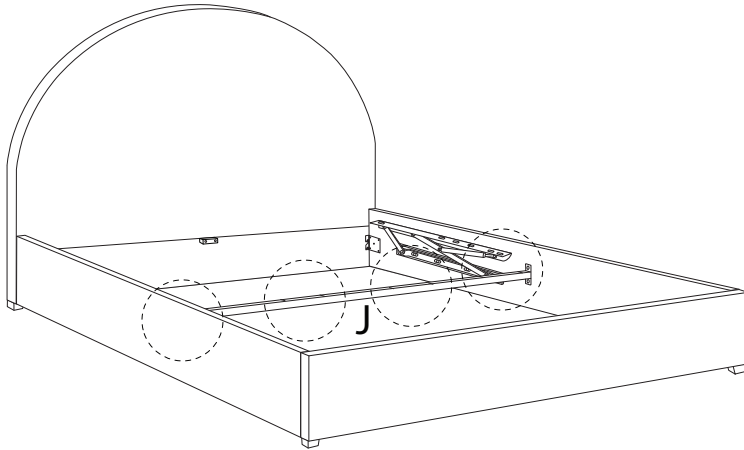
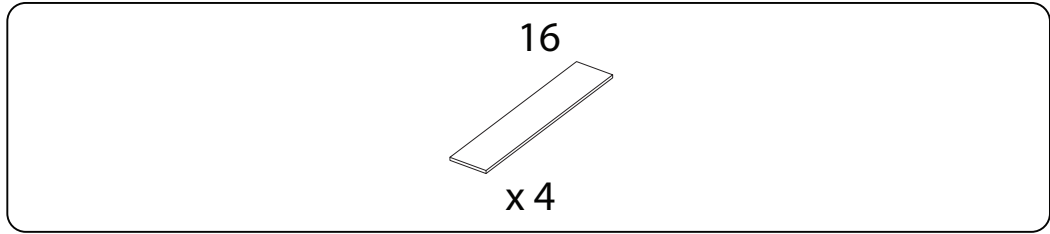


8

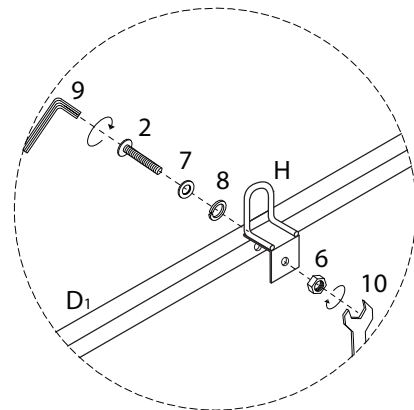
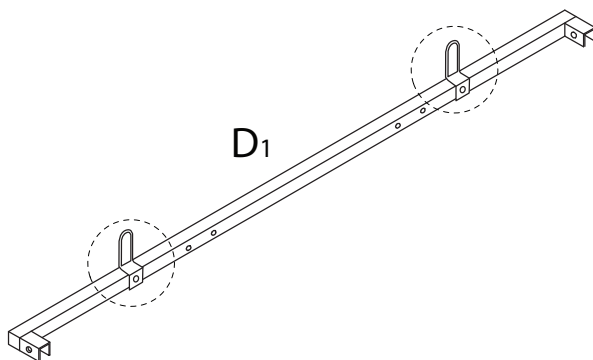
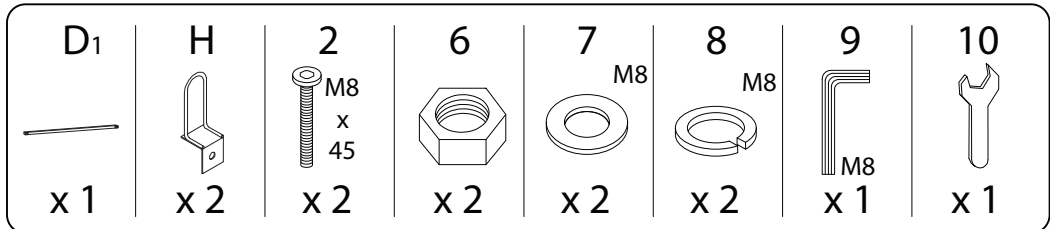
15  x 2



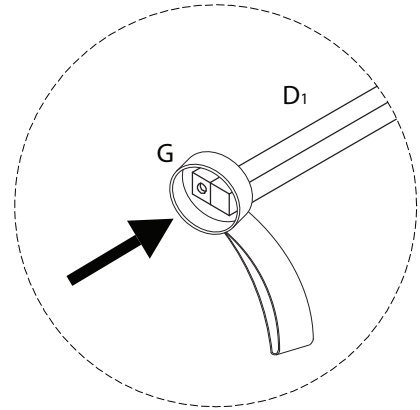
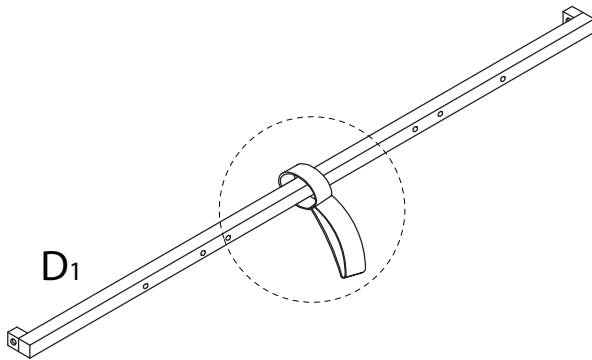
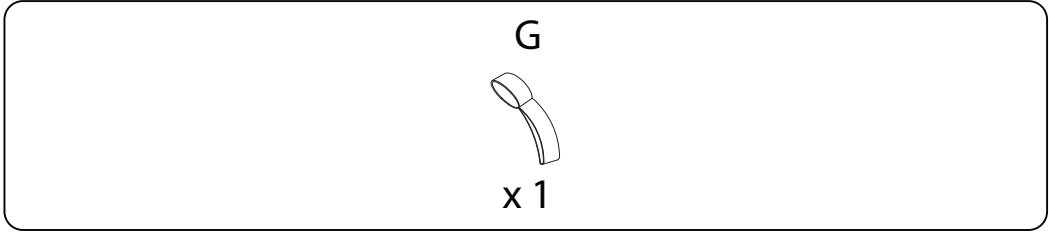
9



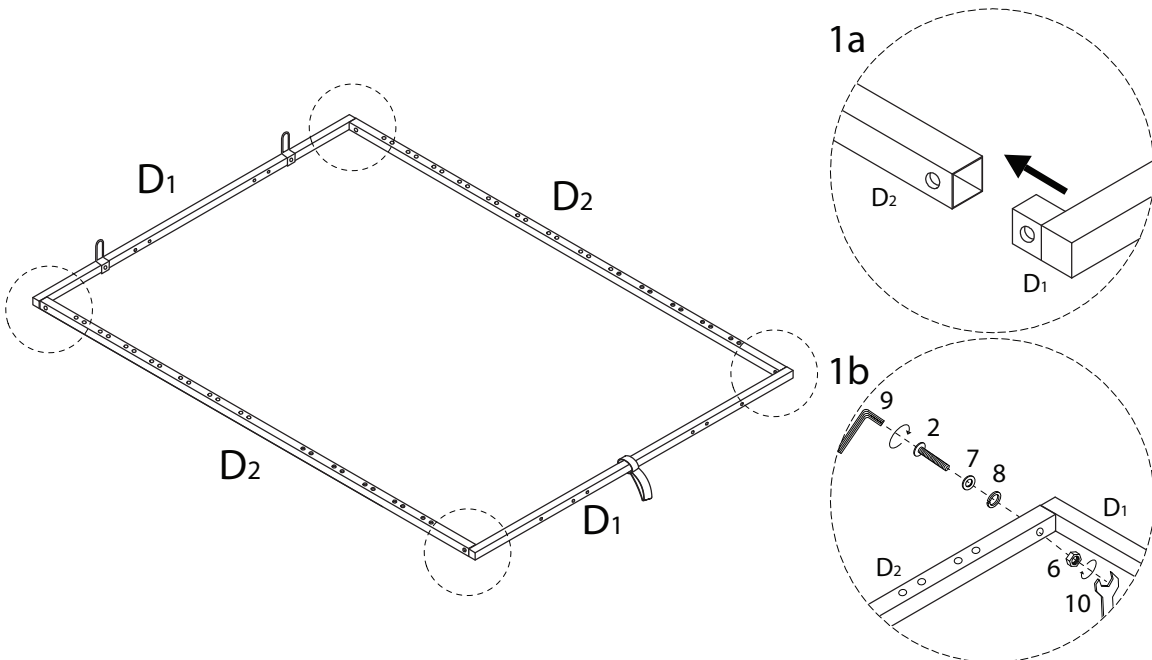
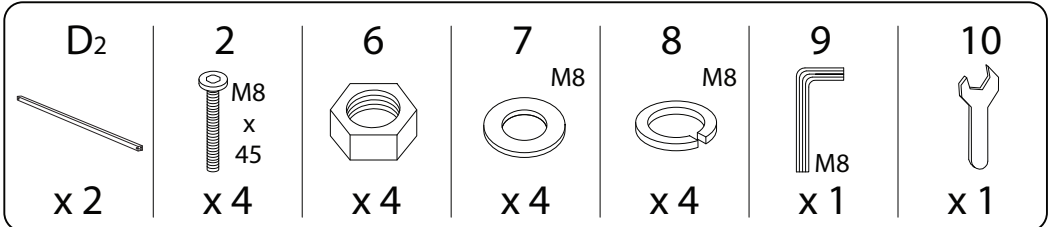
10




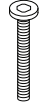
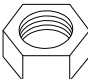

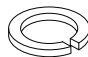
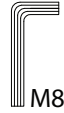
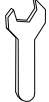
11

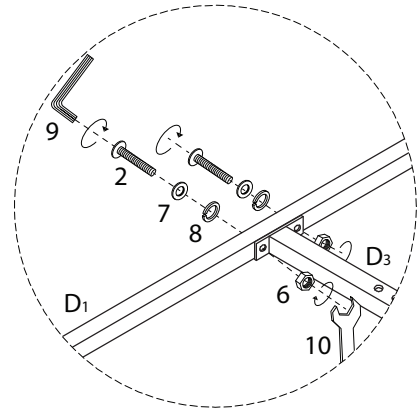
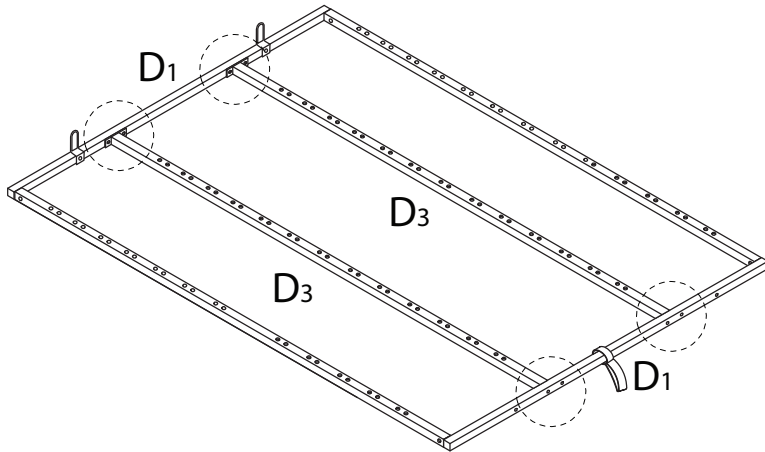


12

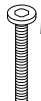
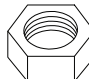


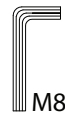



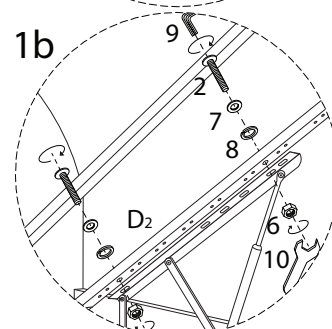
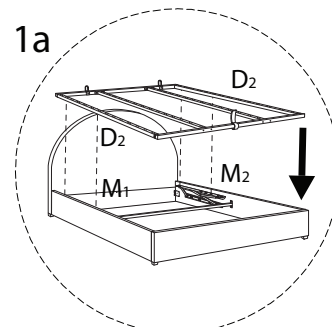
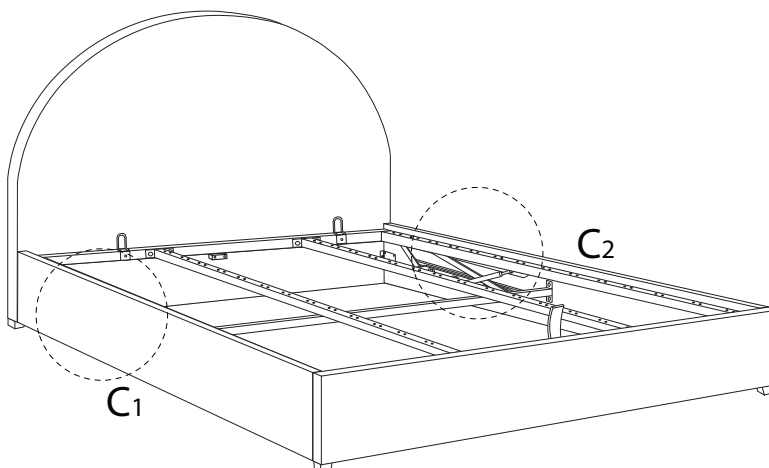
13

D3  x 2	2 M8 x 45  x 8	6  x 8	7 M8  x 8	8 M8  x 8	9 M8  x 1	10  x 1
--	---	---	---	--	---	--

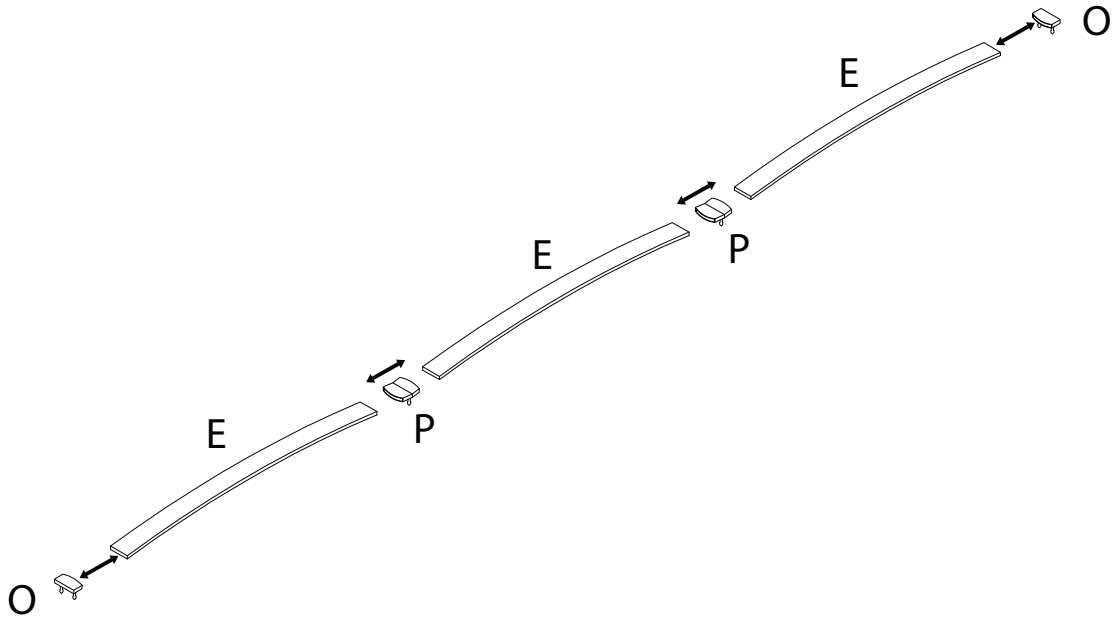
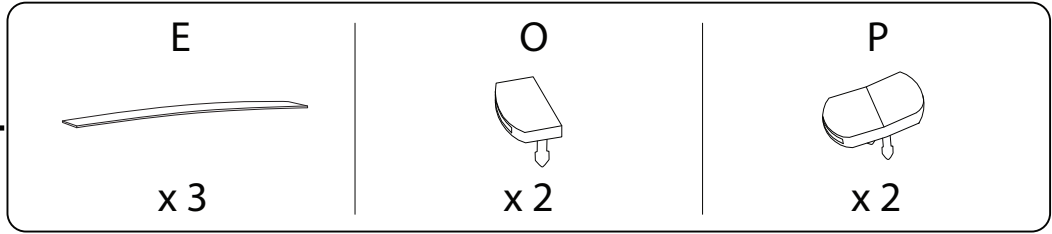


14

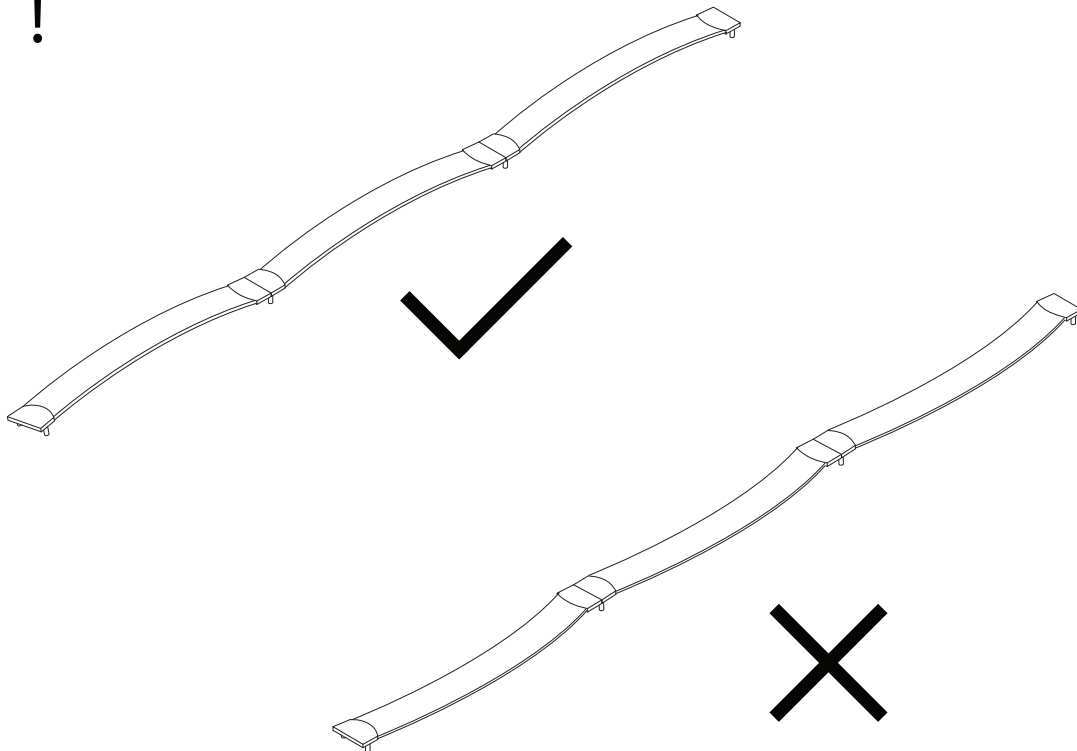
2 M8 x 45  x 4	6  x 4	7 M8  x 4	8 M8  x 4	9 M8  x 1	10  x 1
---	---	---	--	---	--



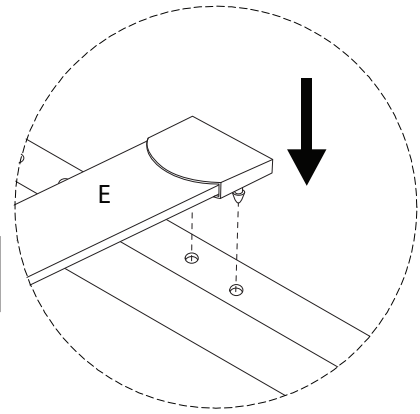
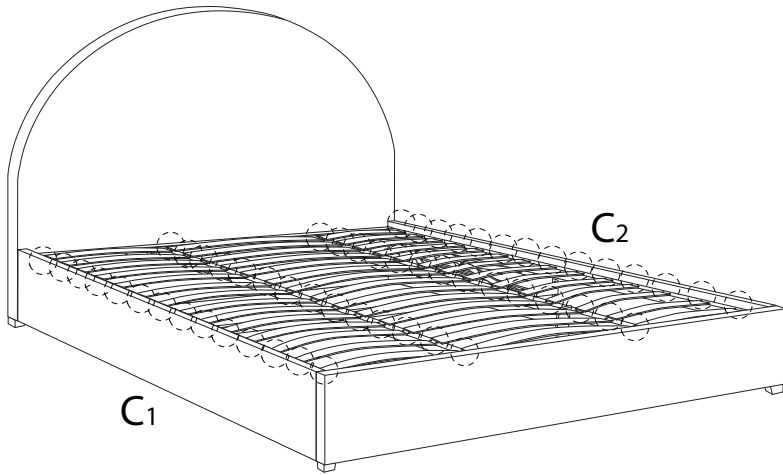
15 x 14



!

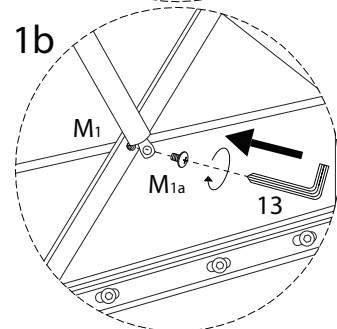
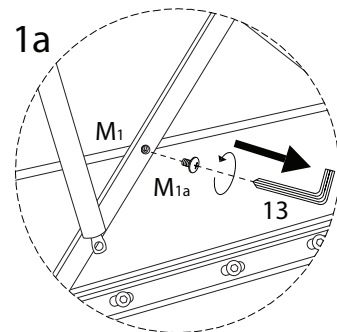
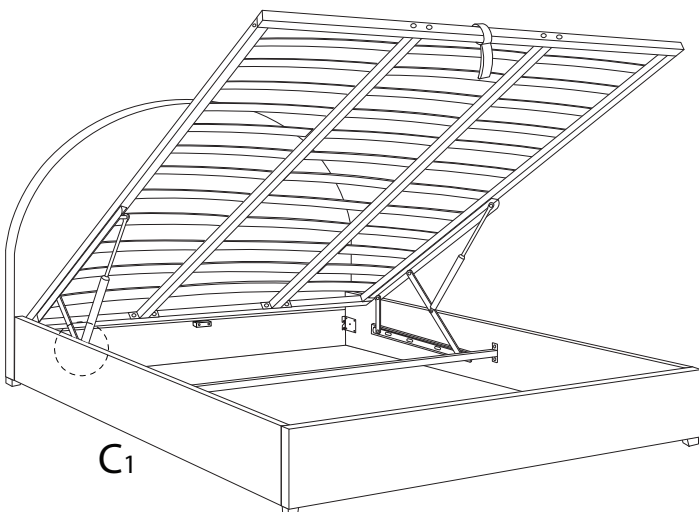


16



17

13
x 1

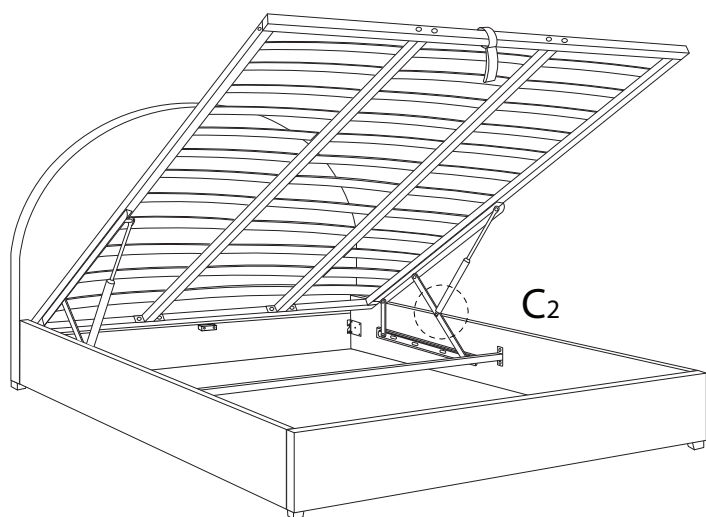


18

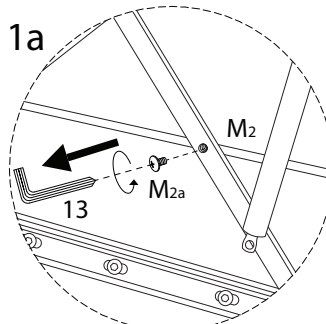
13



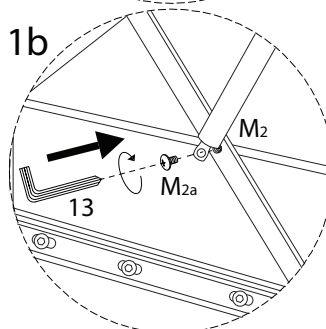
x 1



1a



1b



19

N



x 1

