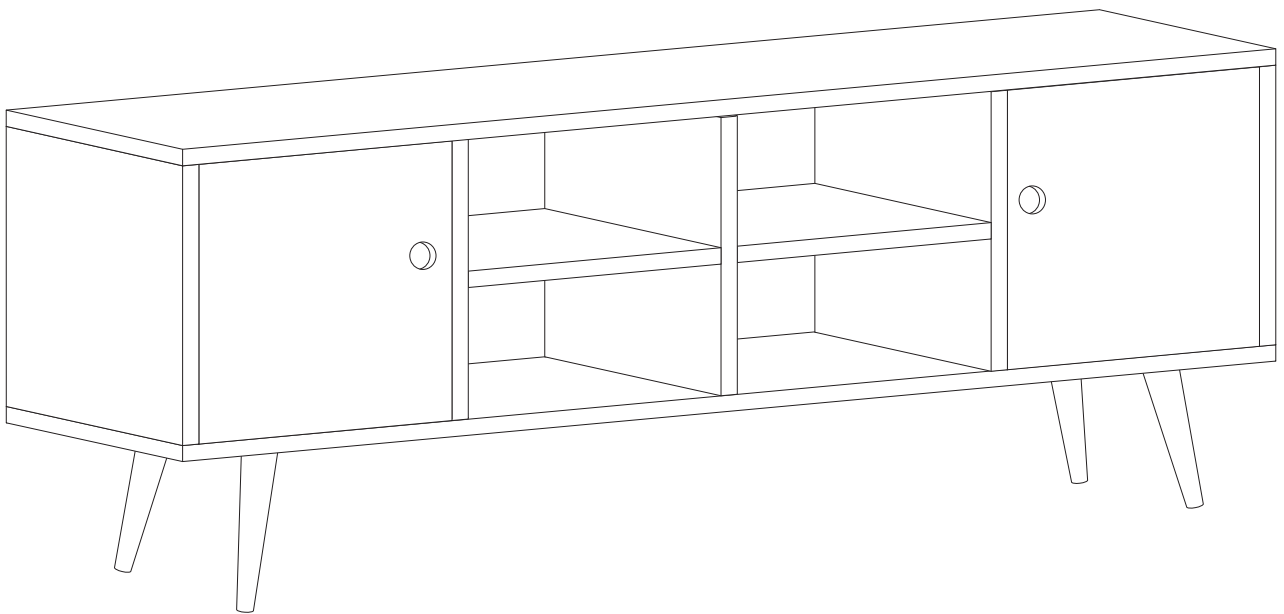
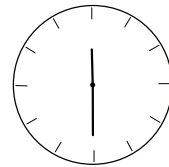
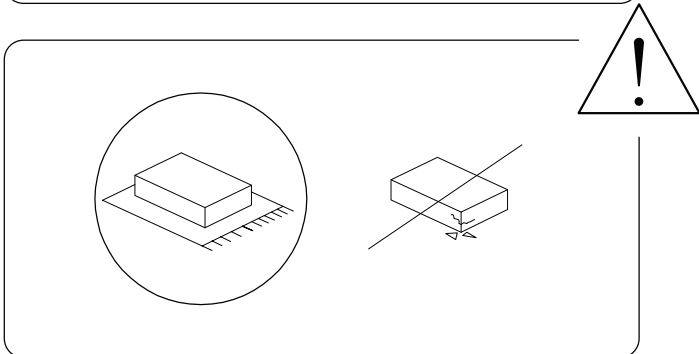
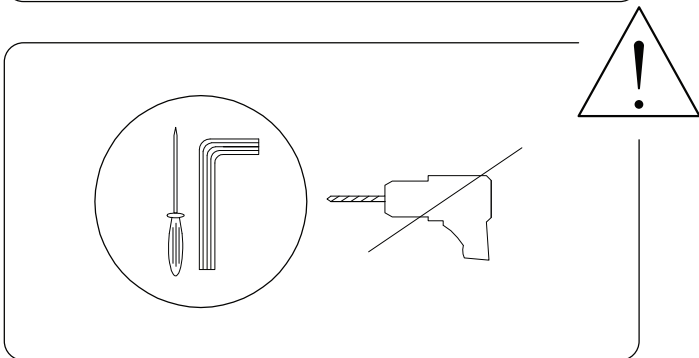
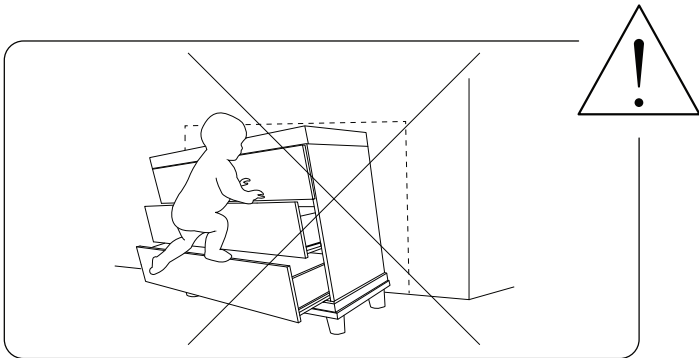
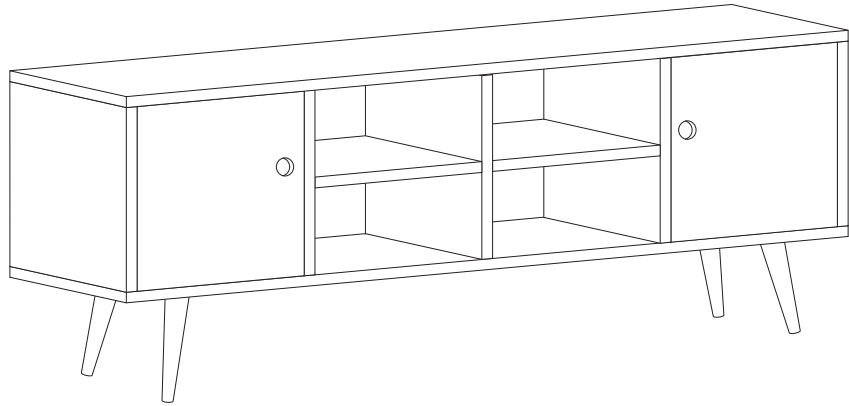
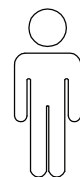


CHANDLER

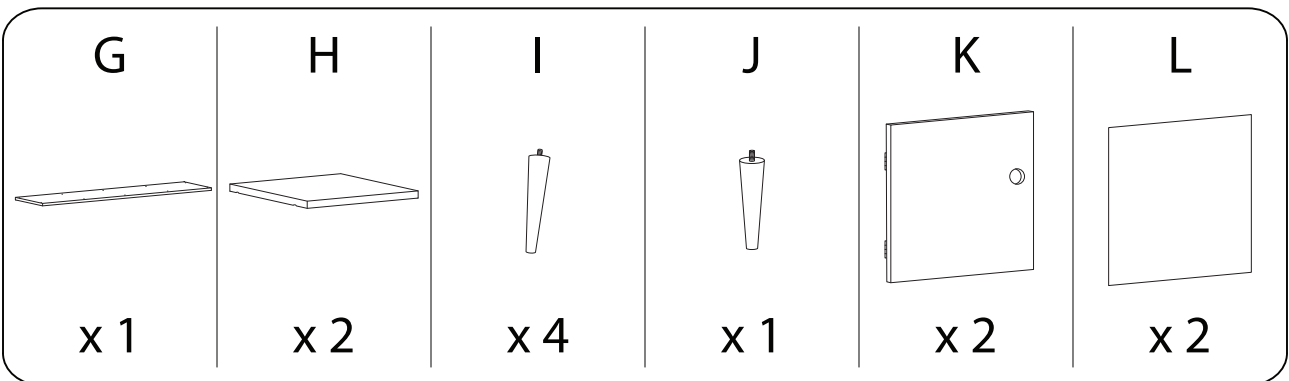
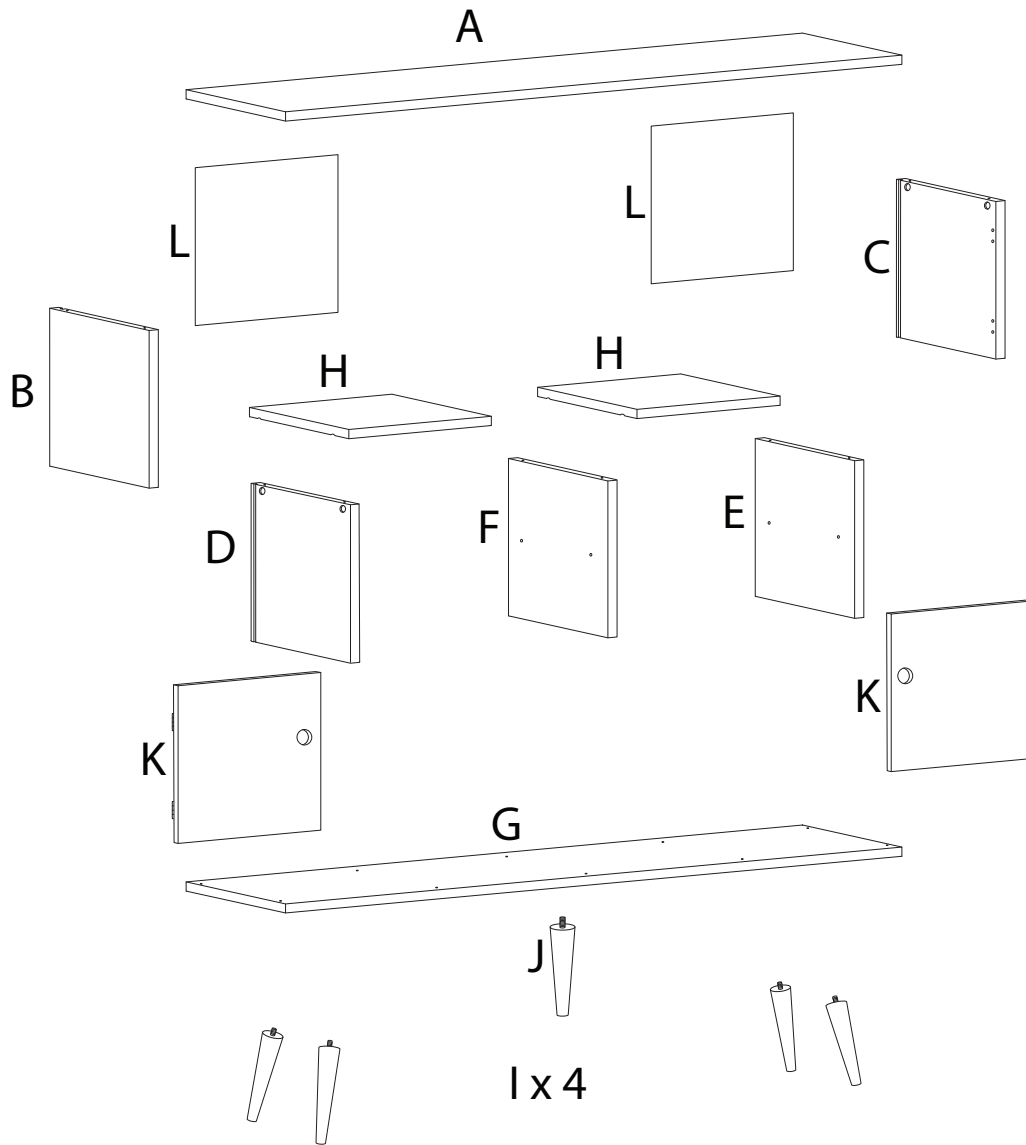
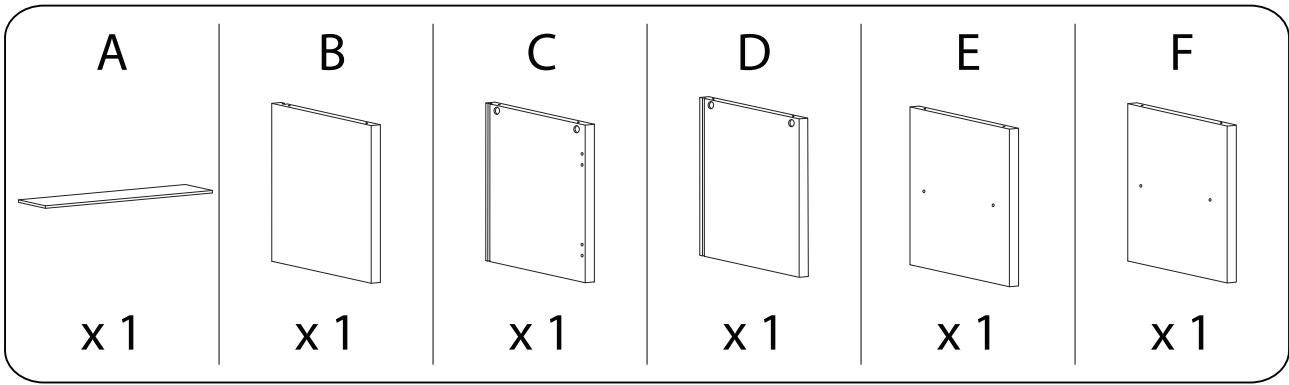




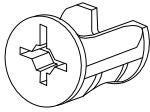
30'



1



M



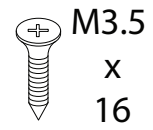
x 10

N



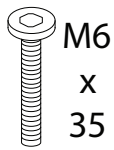
x 10

O



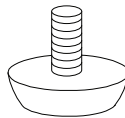
x 16

P



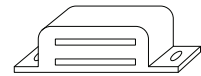
x 10

Q



x 1

R



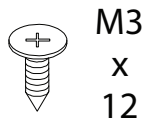
x 2

S1



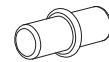
x 2

S2



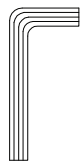
x 2

T



x 8

U



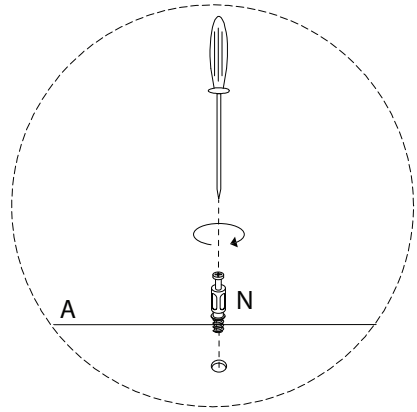
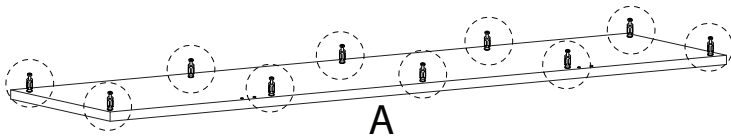
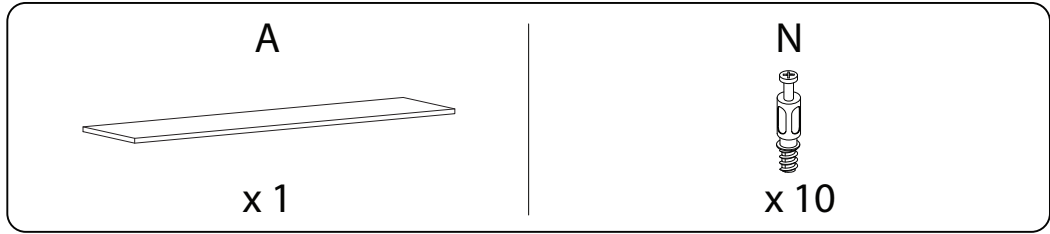
x 1

V

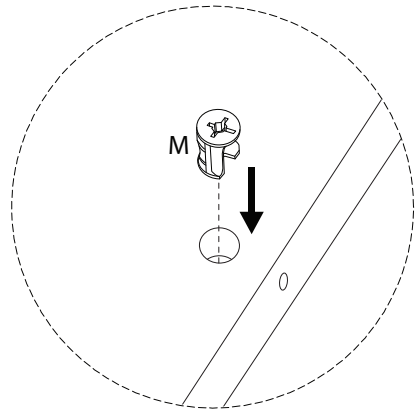
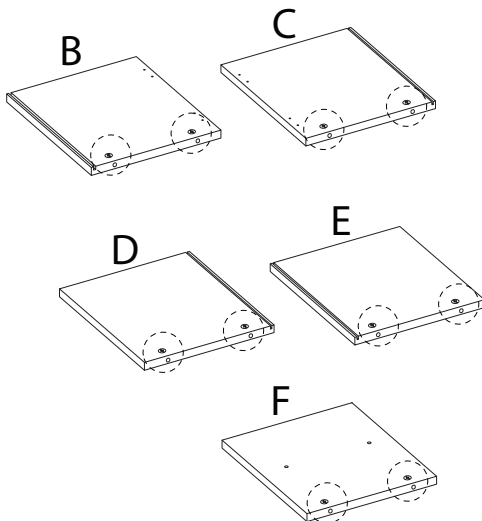
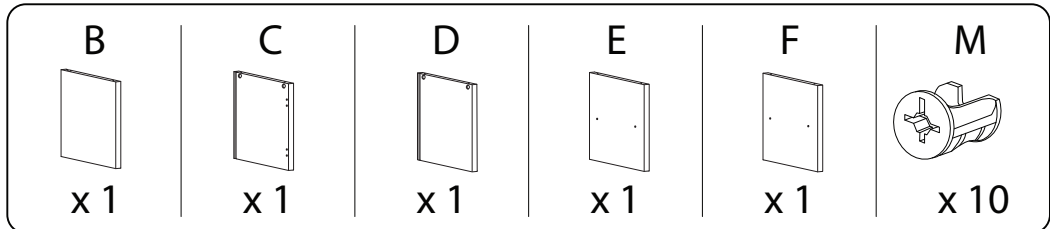


x 4

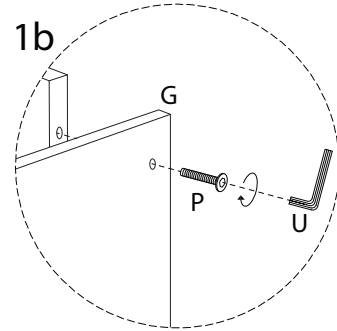
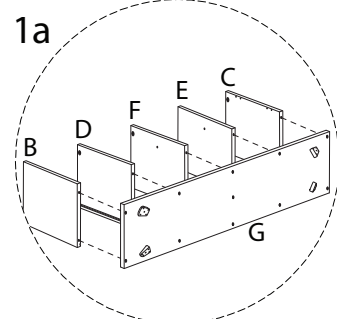
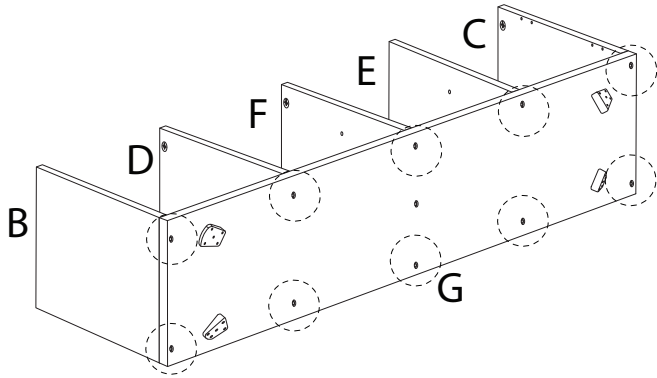
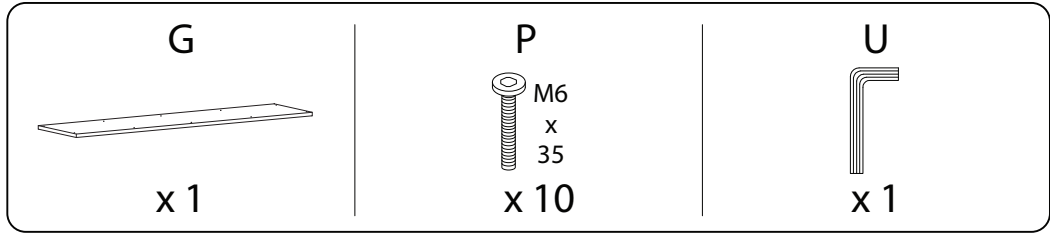
1



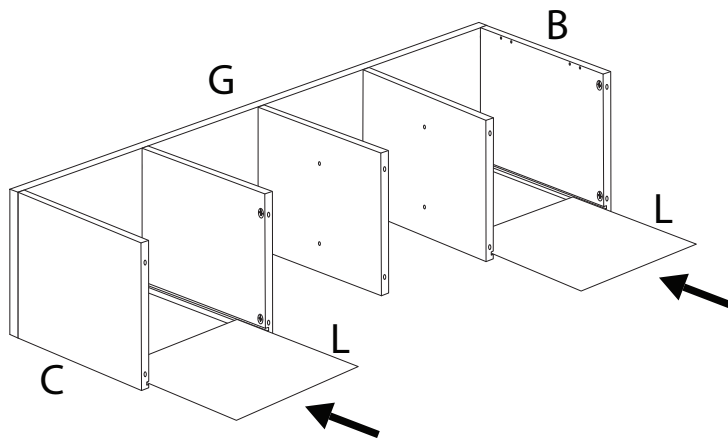
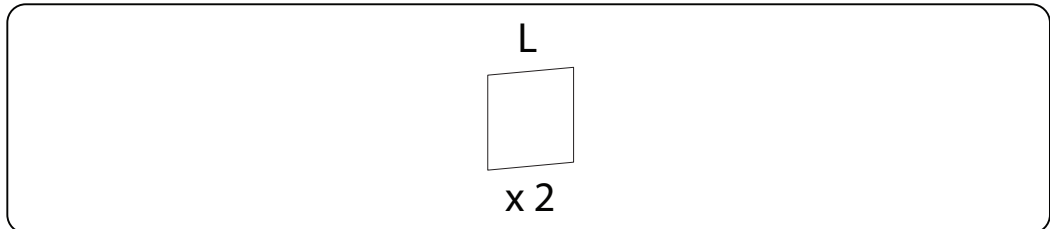
2



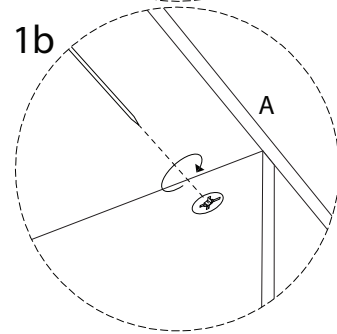
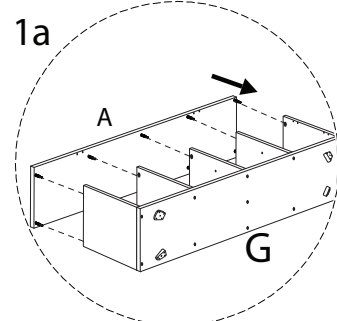
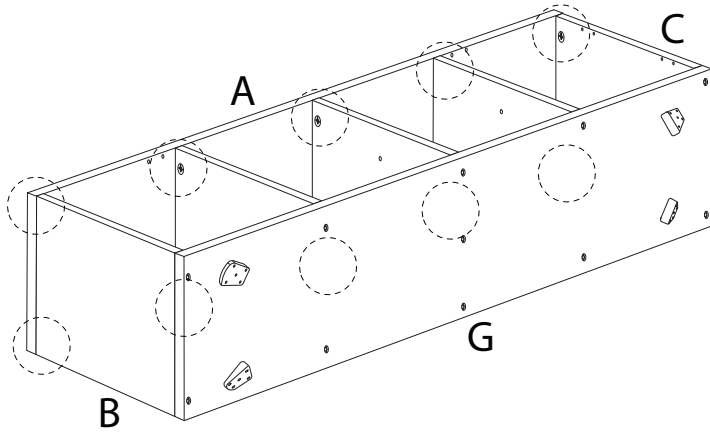
3



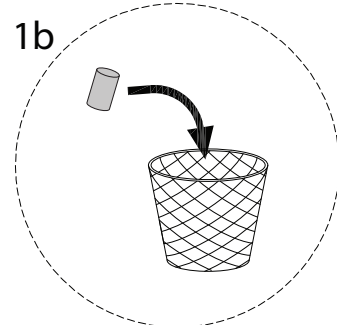
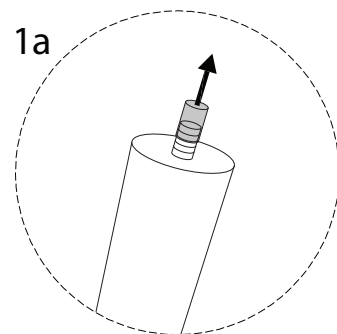
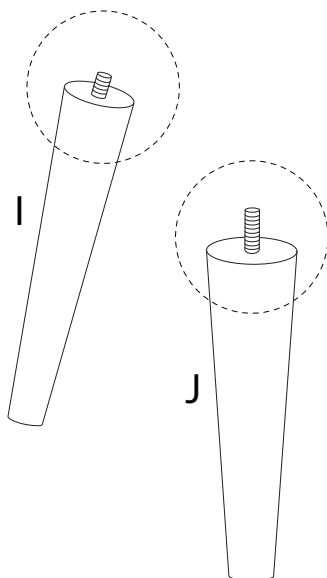
4



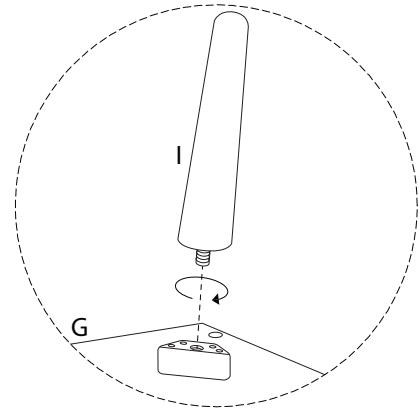
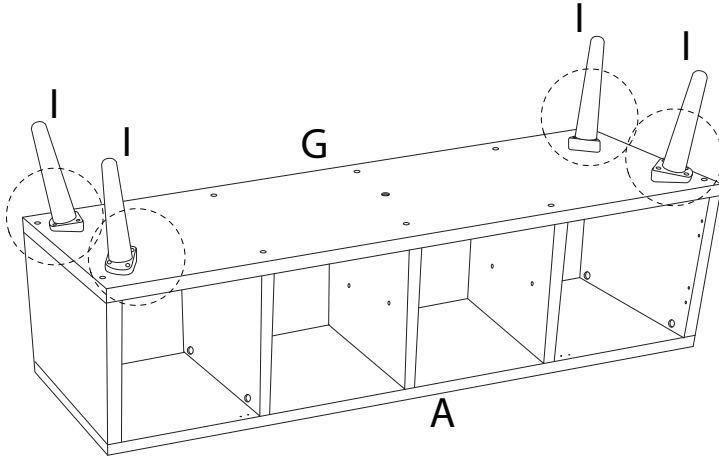
5



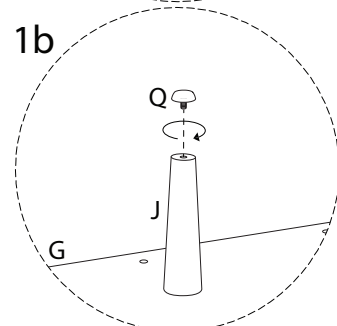
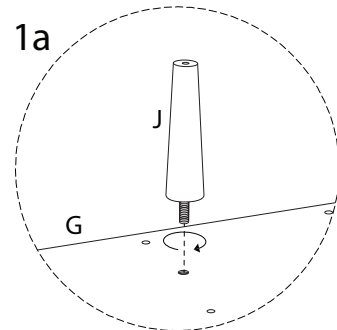
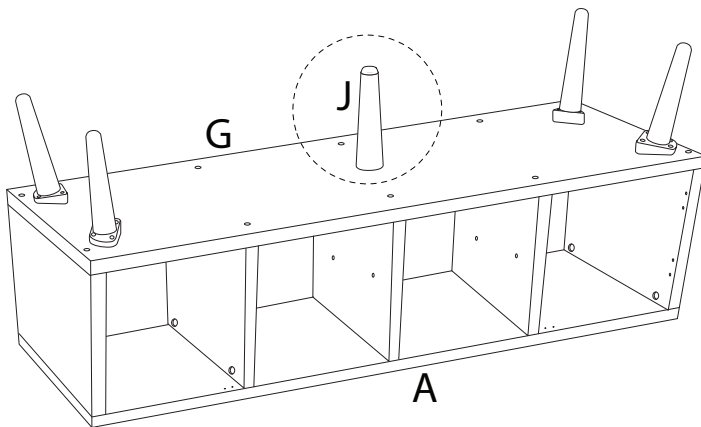
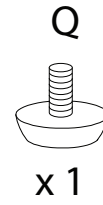
!



6

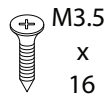


7



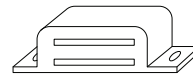
8

O

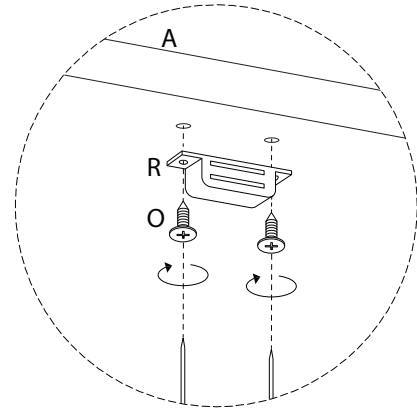
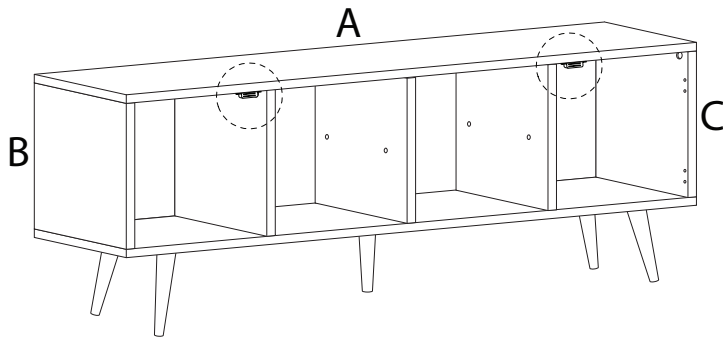


x 4

R

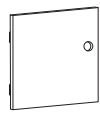


x 2



9

K



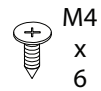
x 2

S1

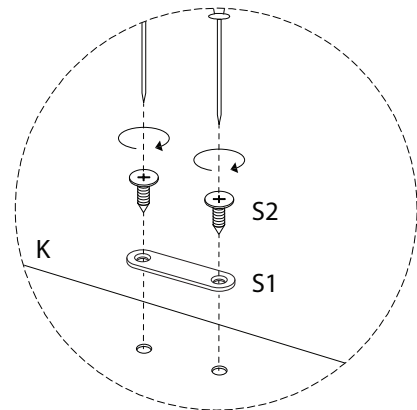
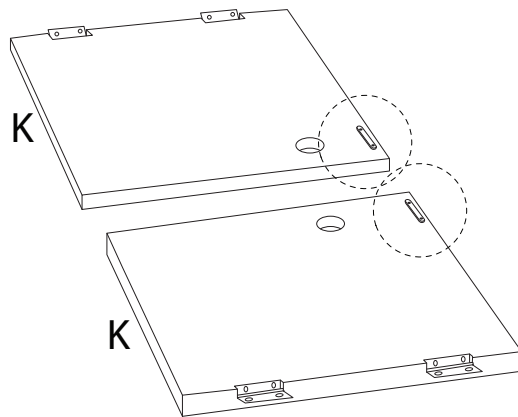


x 2

S2

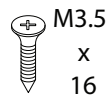


x 4

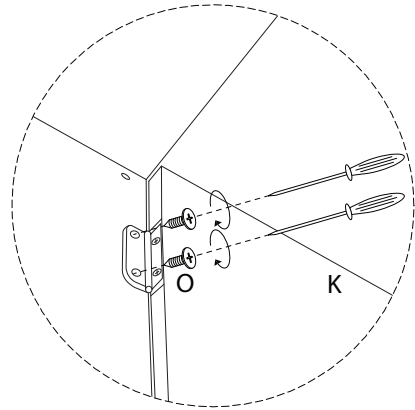
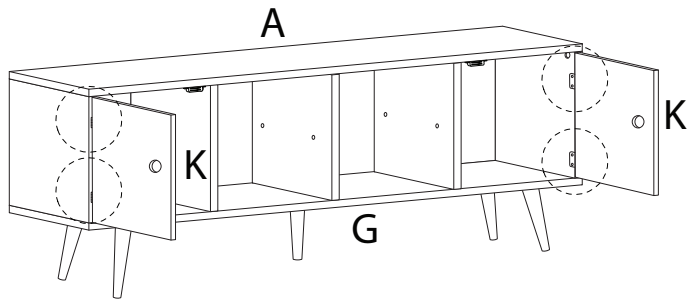


10

O

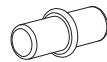


x 8

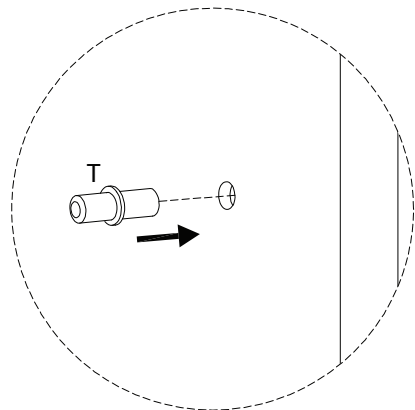
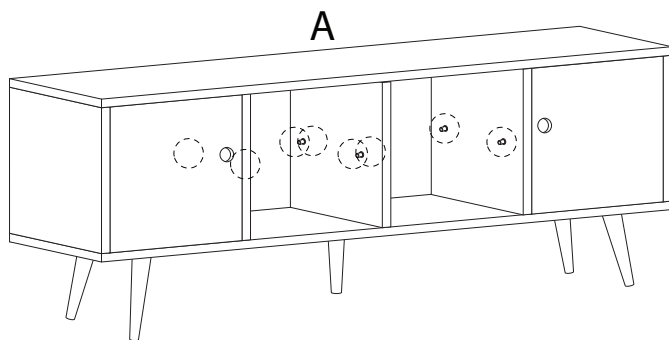


11

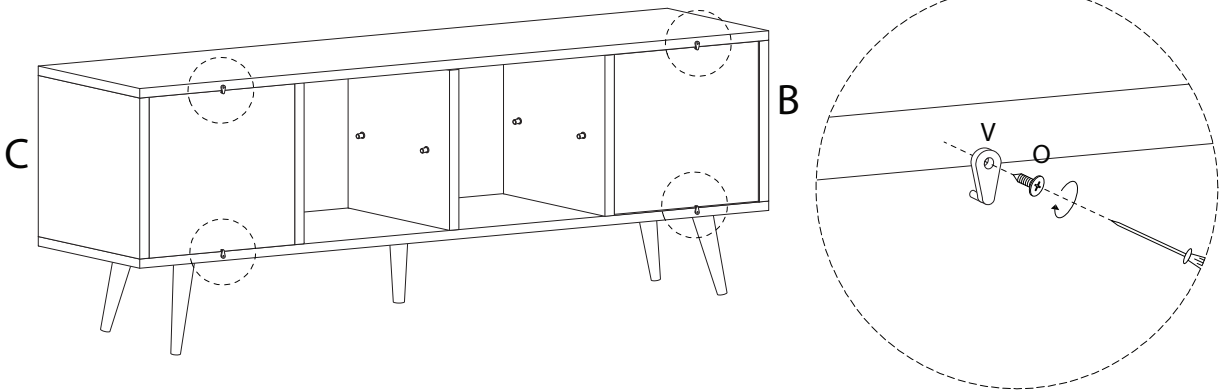
T



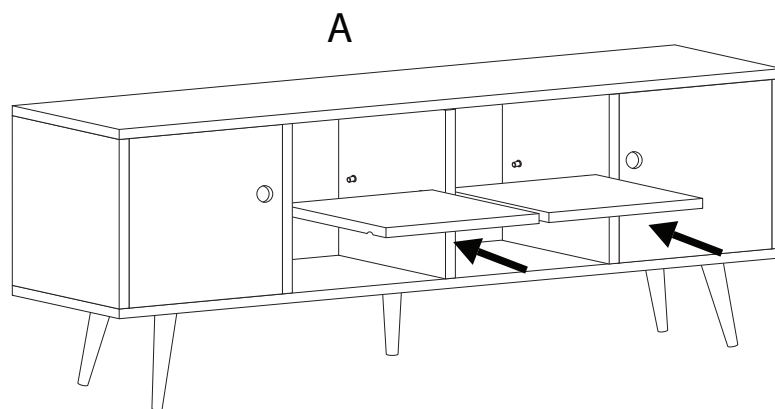
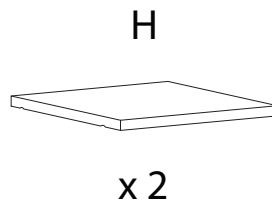
x 8



12



13



14

