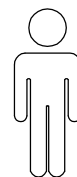
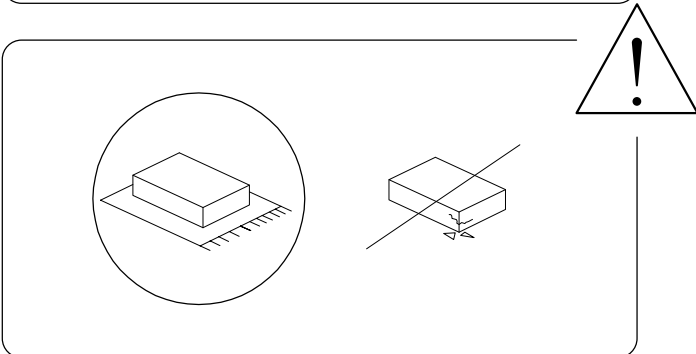
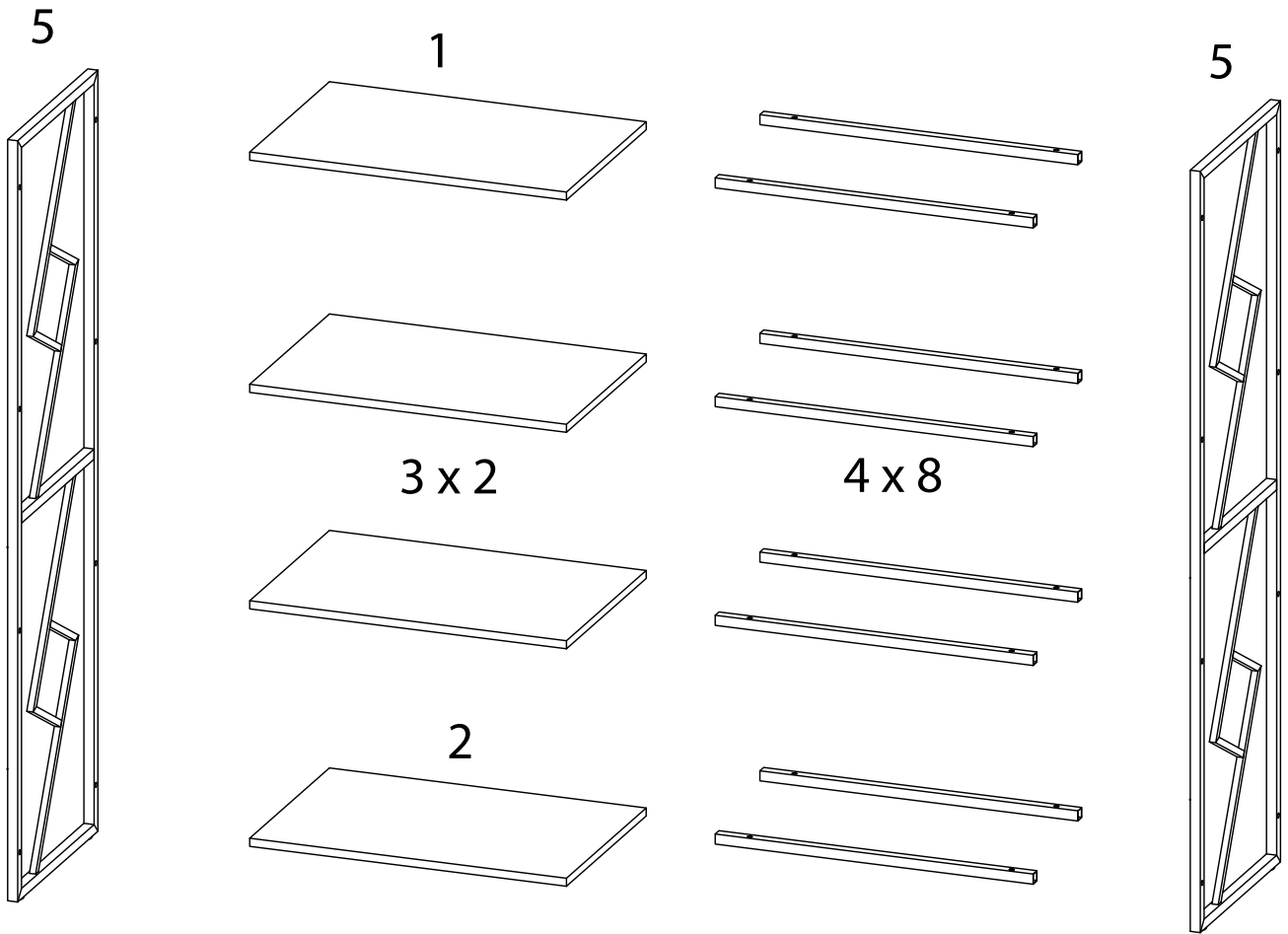
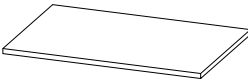
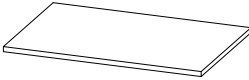
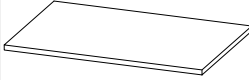




30'

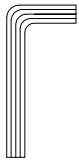


1



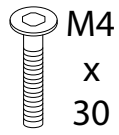
1	2	3	4	5
				
x 1	x 1	x 2	x 8	x 2

A



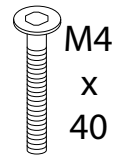
x 1

B



x 16

C



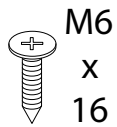
x 16

D



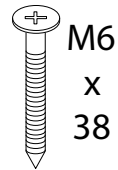
x 4

E



x 2

F



x 2

G



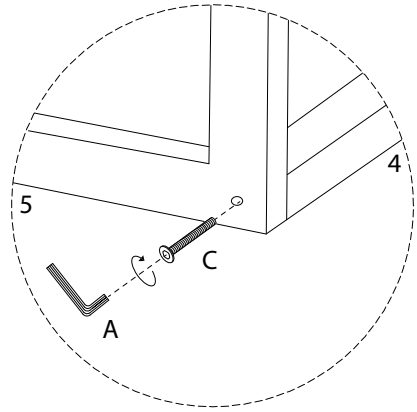
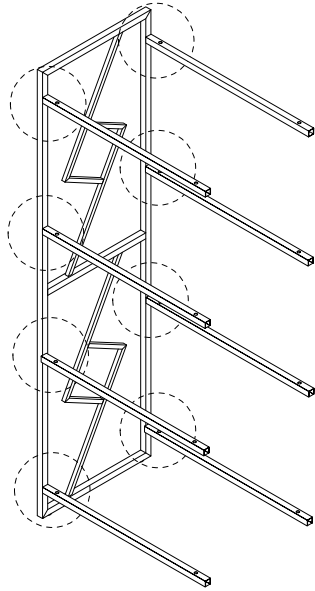
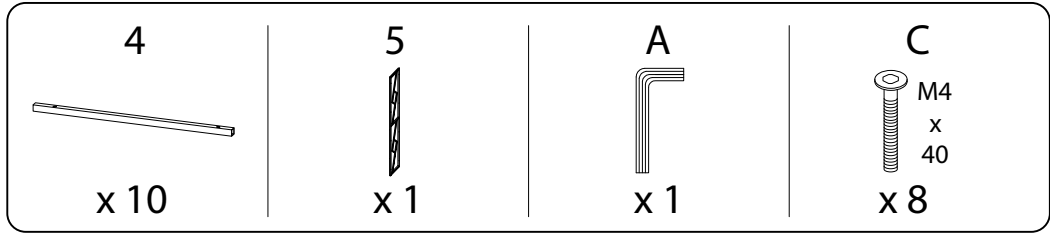
x 2

H

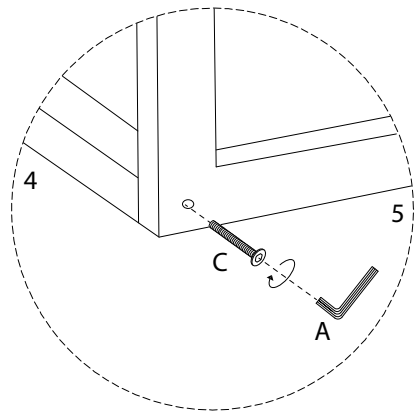
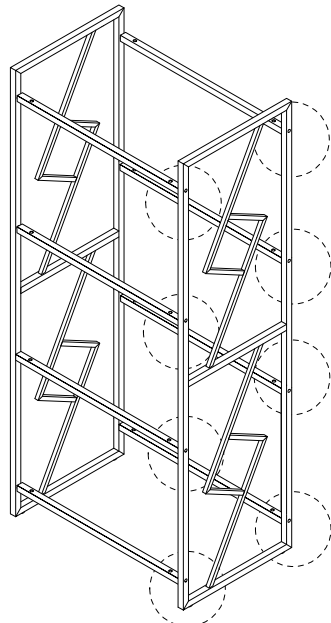
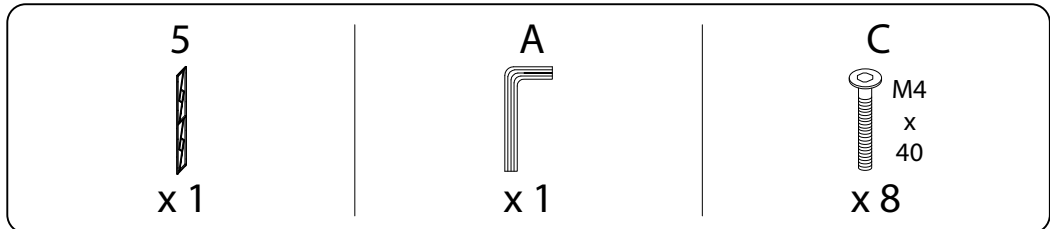


x 2

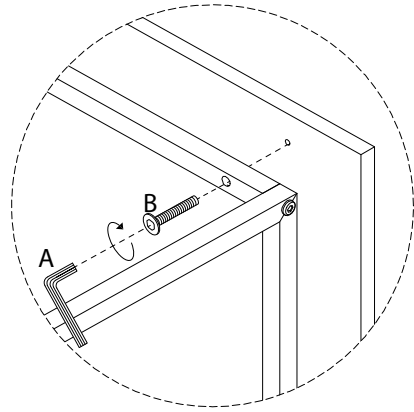
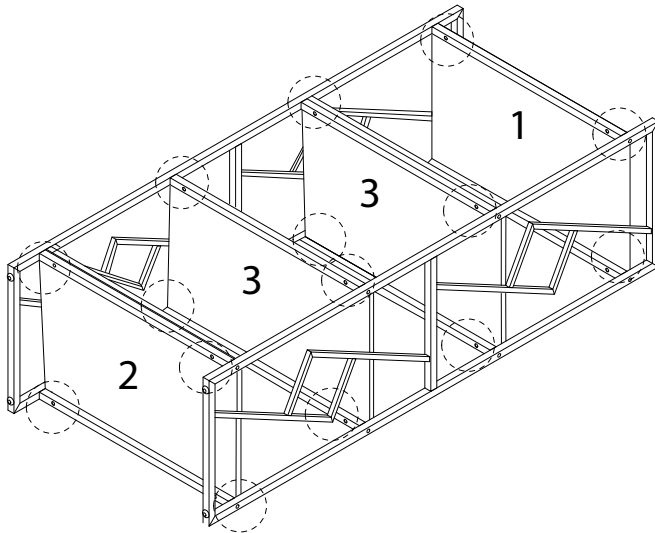
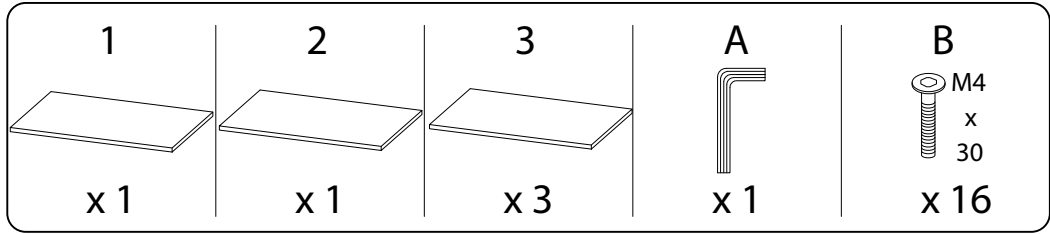
1



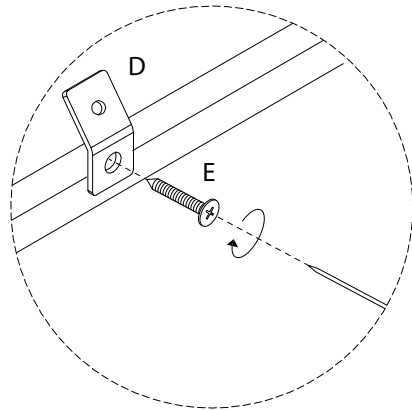
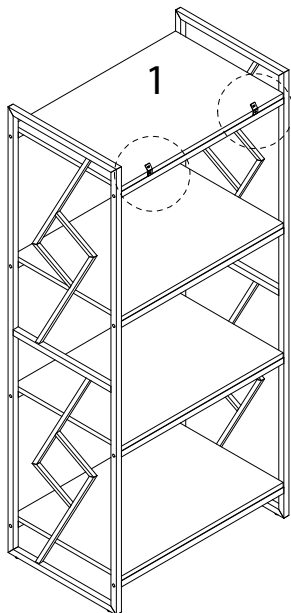
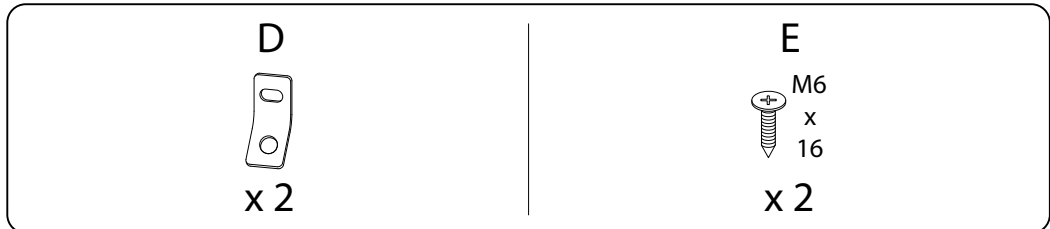
2



3



4



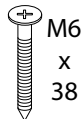
5

D



x 2

F



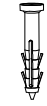
x 2

G



x 2

H



x 2

