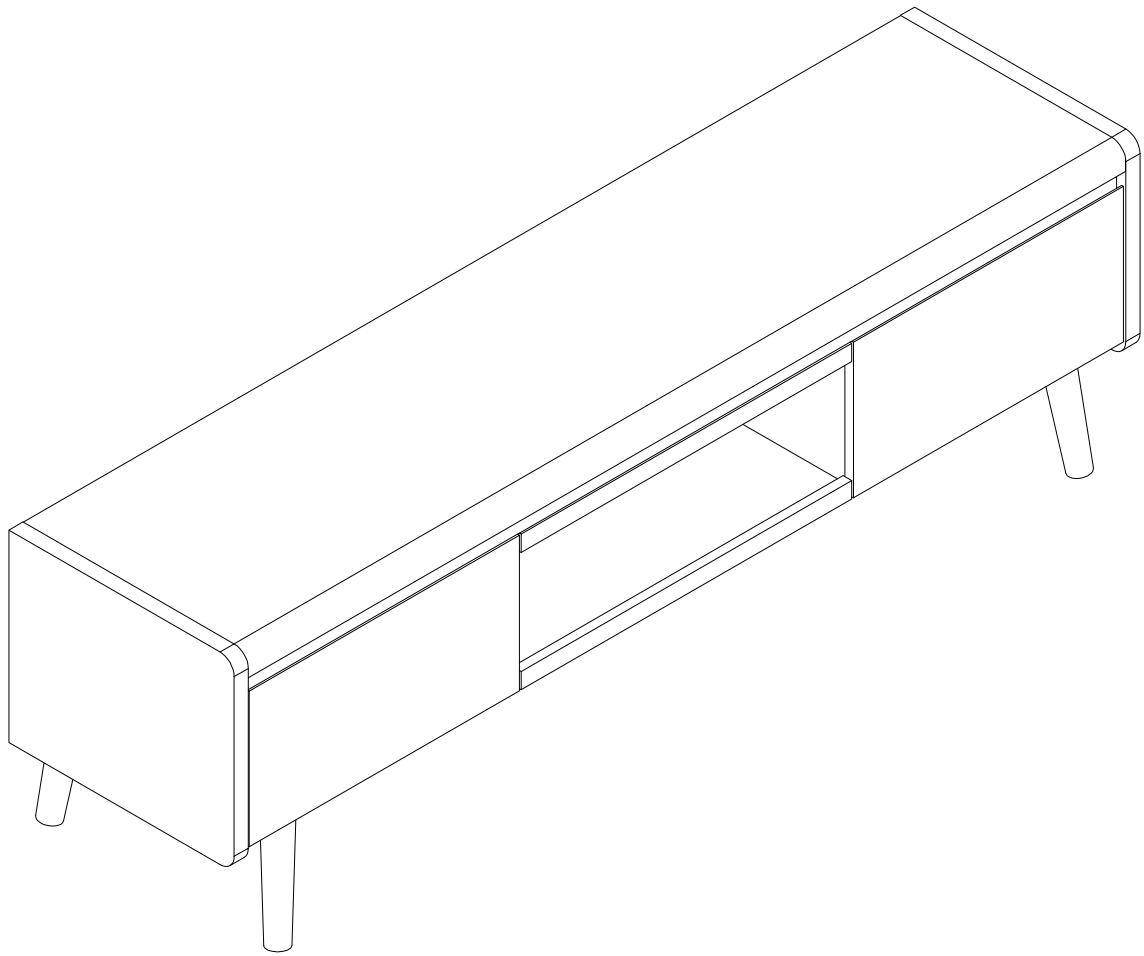
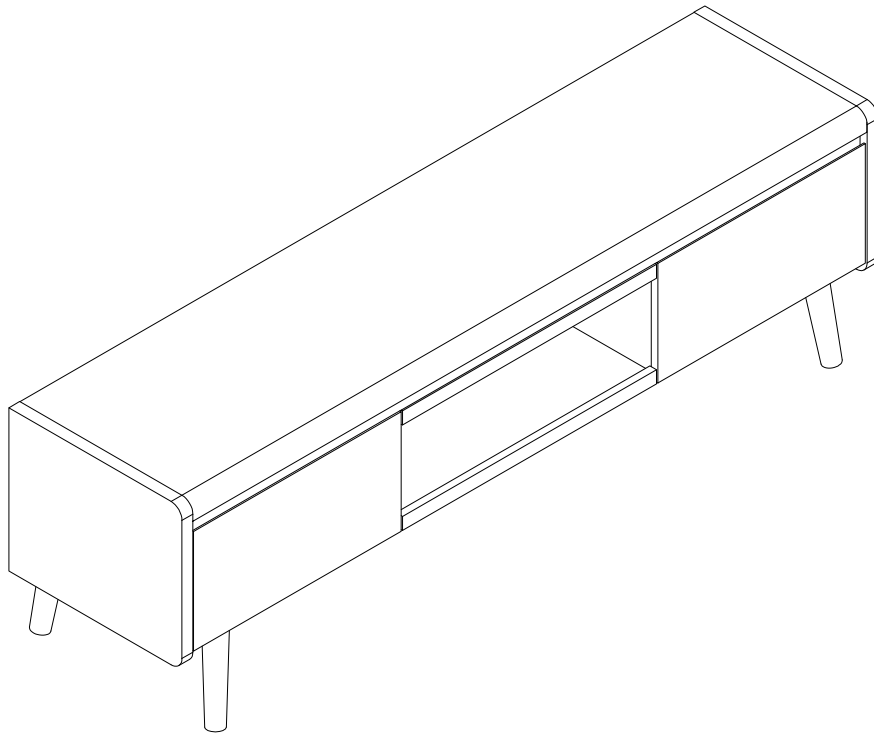
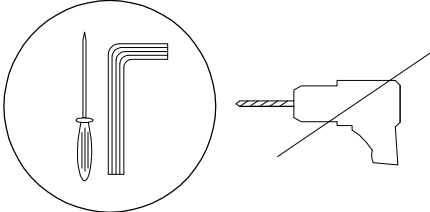

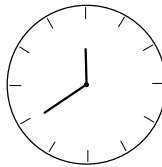
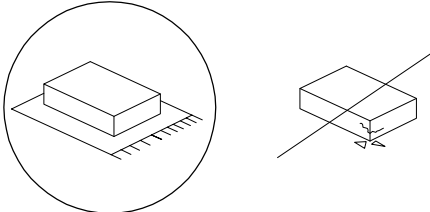


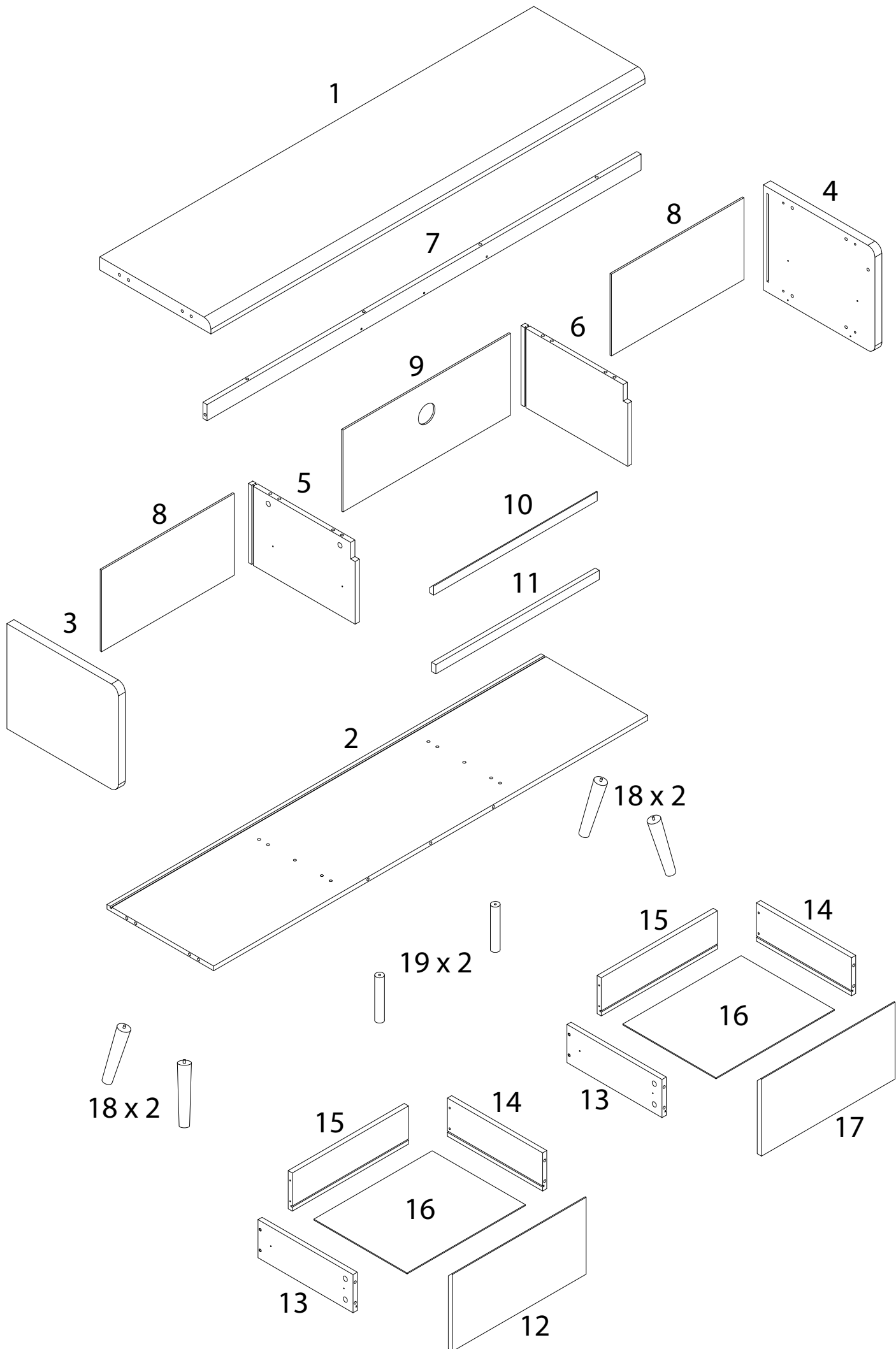


# CUSTER

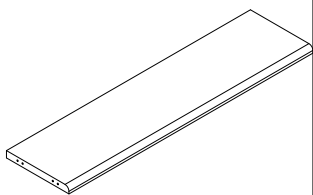




		
		
		40'
		2

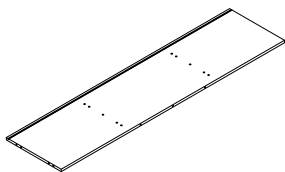


1



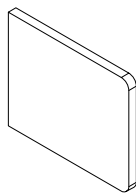
x 1

2



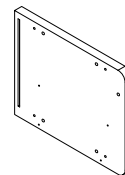
x 1

3



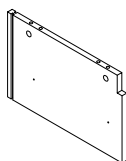
x 1

4



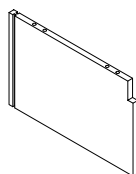
x 1

5



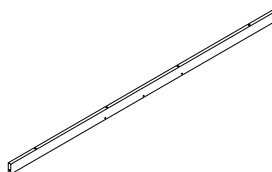
x 1

6



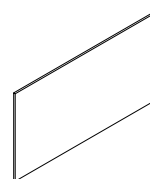
x 1

7



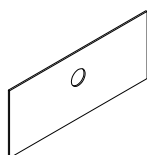
x 1

8



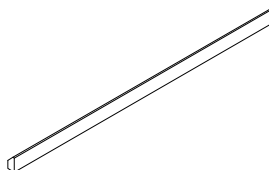
x 2

9



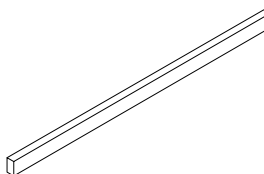
x 1

10



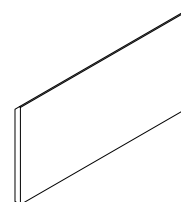
x 1

11



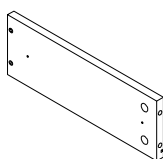
x 1

12



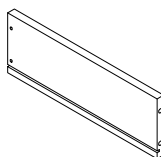
x 1

13



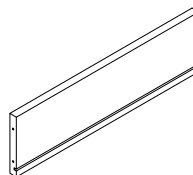
x 2

14



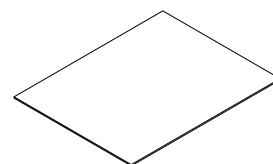
x 2

15



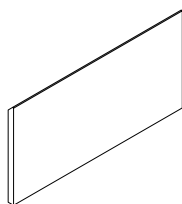
x 2

16



x 2

17



x 1

18



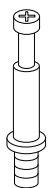
x 4

19



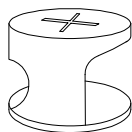
x 2

A



x 27

B



x 27

C



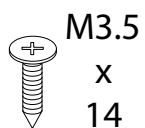
x 3

D



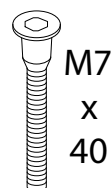
x 18

E



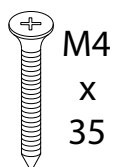
x 36

F



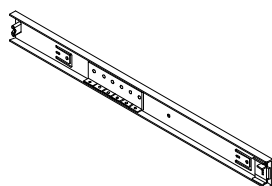
x 6

G



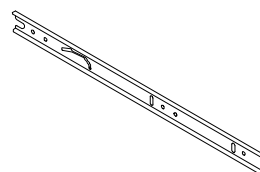
x 8

H



x 4

I



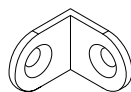
x 4

J



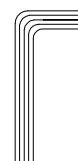
x 8

K



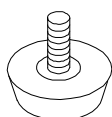
x 4

L



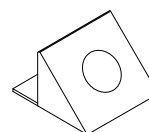
x 1

M



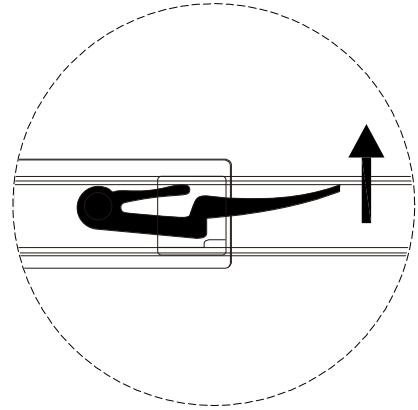
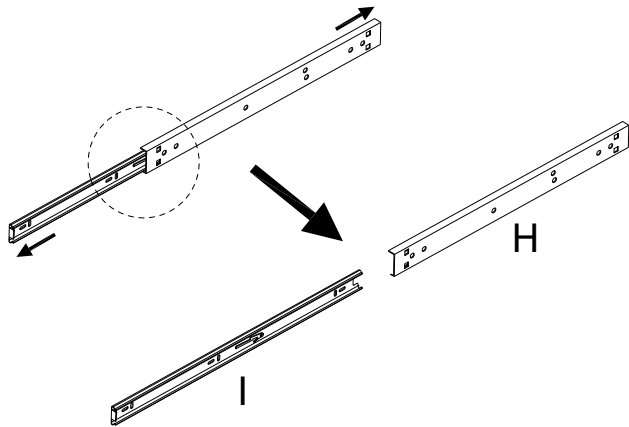
x 2

N

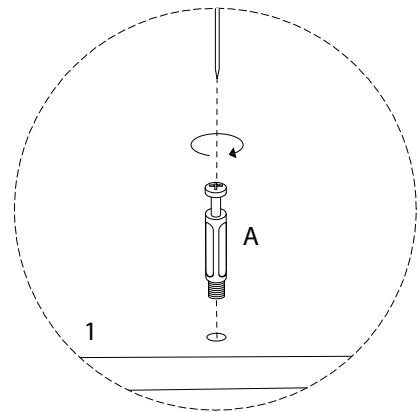
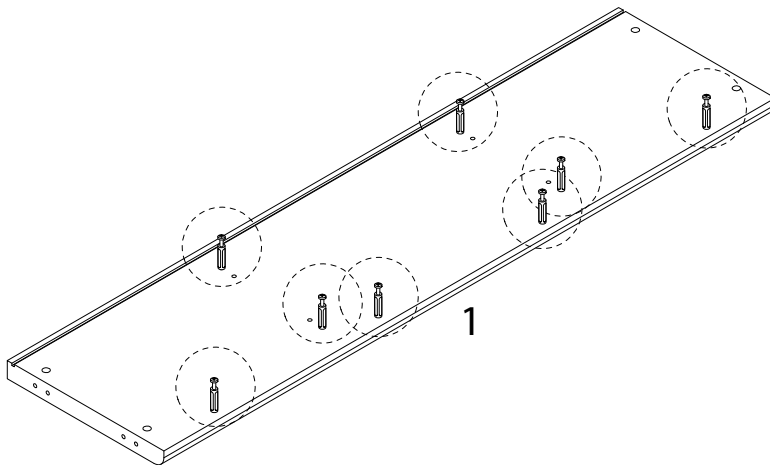
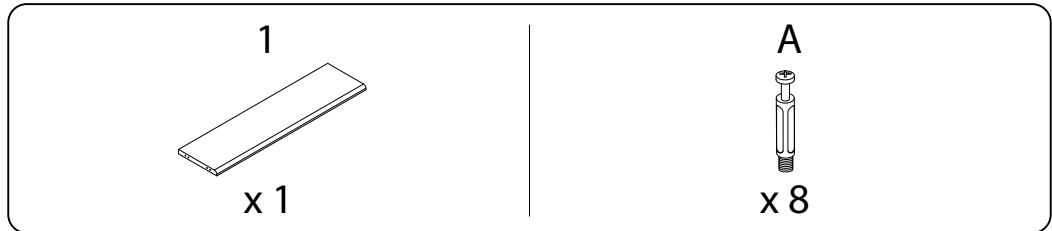


x 12

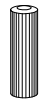
!

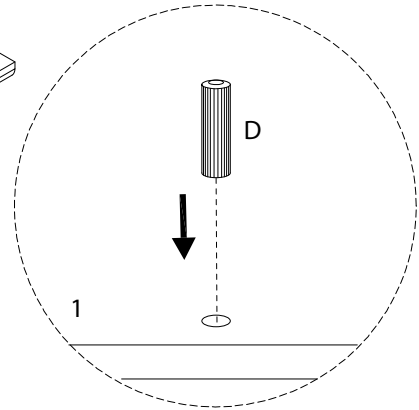
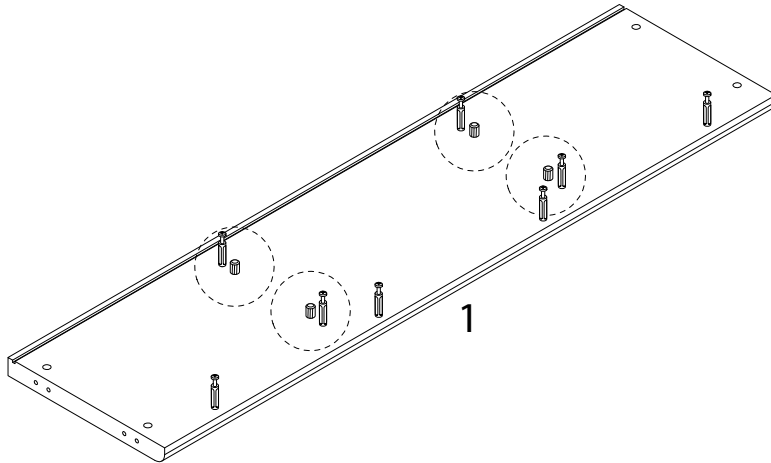


1

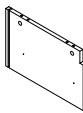


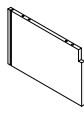
2


D  
  
x4

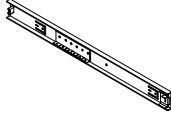


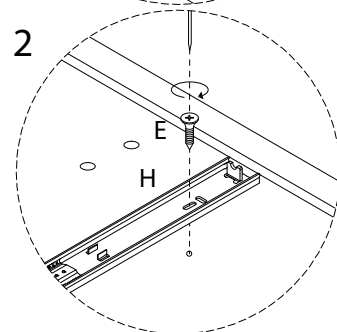
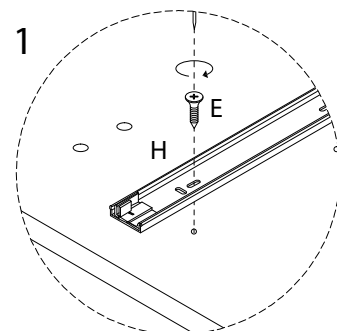
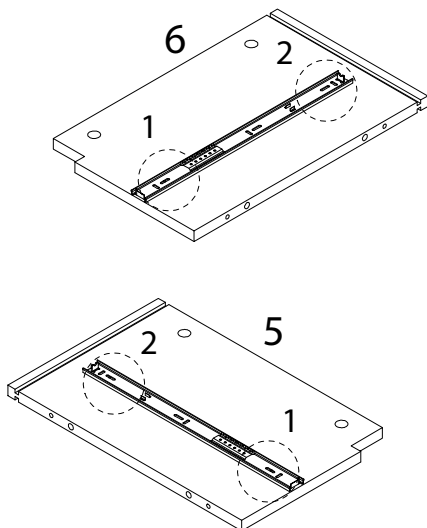
3

5  
  
x 1

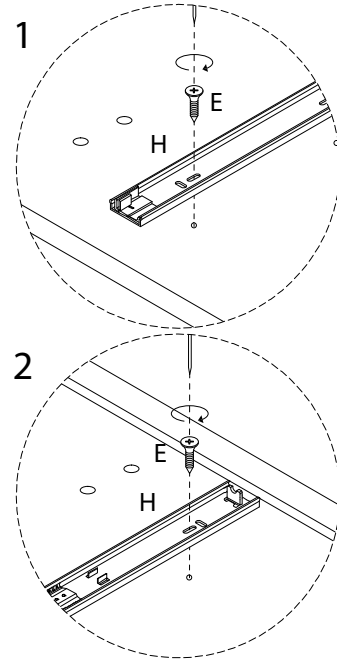
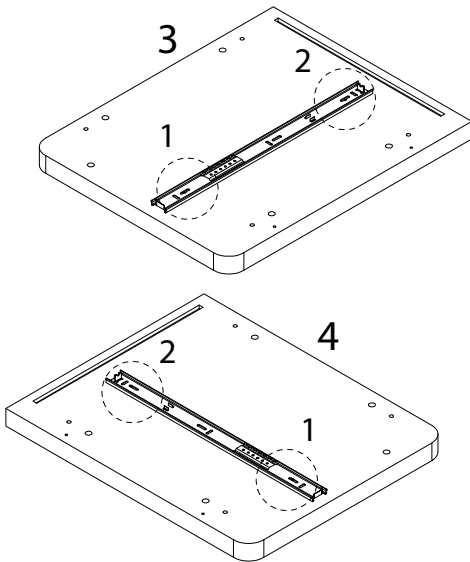
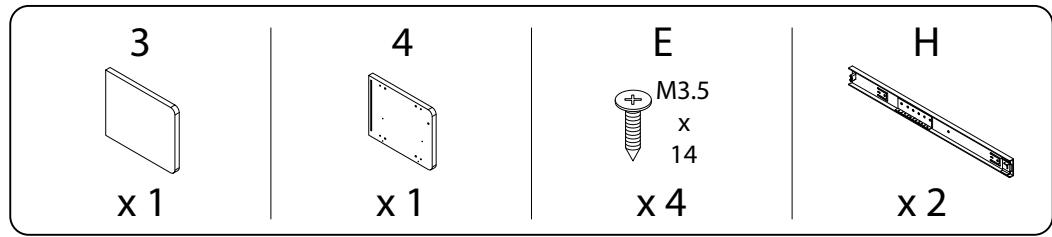
6  
  
x 1

E  
  
M3.5  
x  
14  
x 4

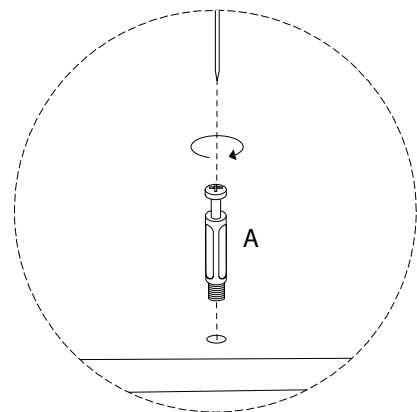
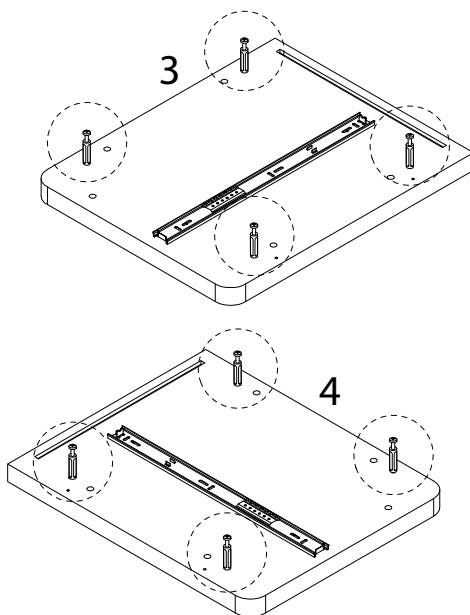
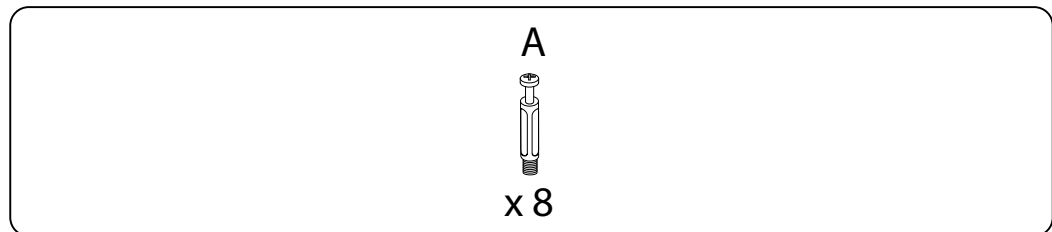
H  
  
x 2



4



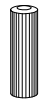
5



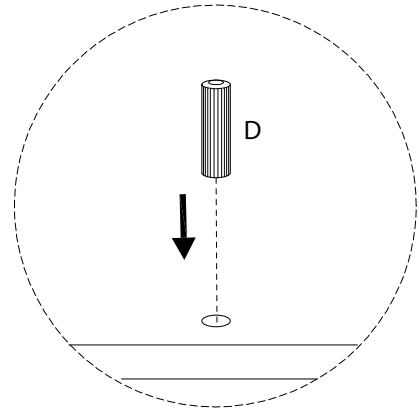
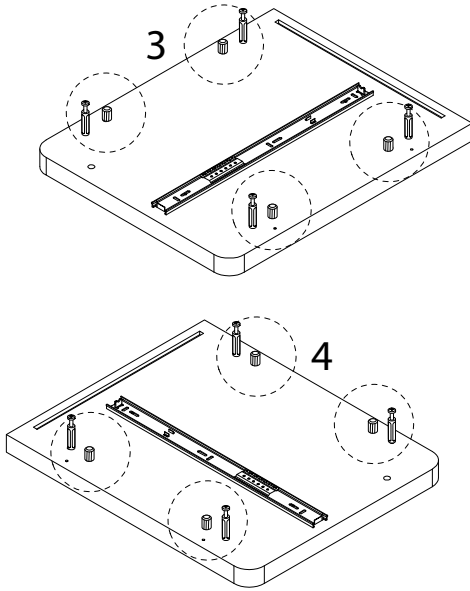


6

D

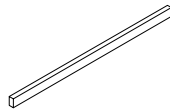


x8



7

11

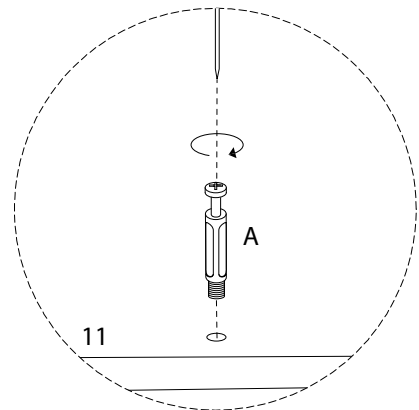
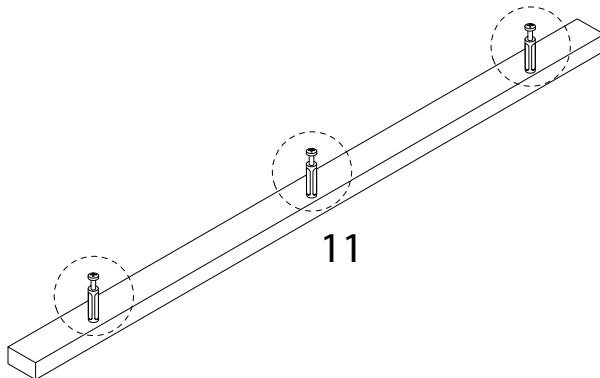


x 1

A

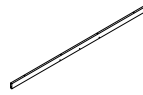


x 3

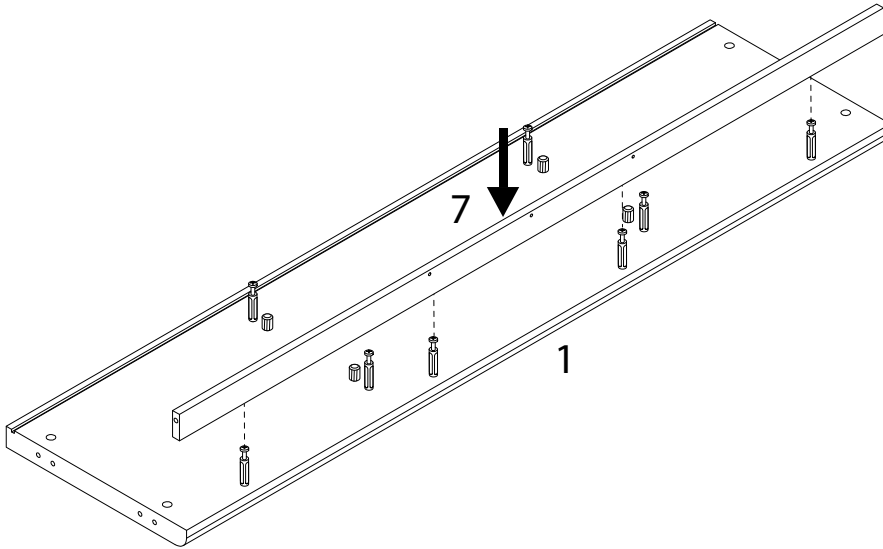


8

7



x 1

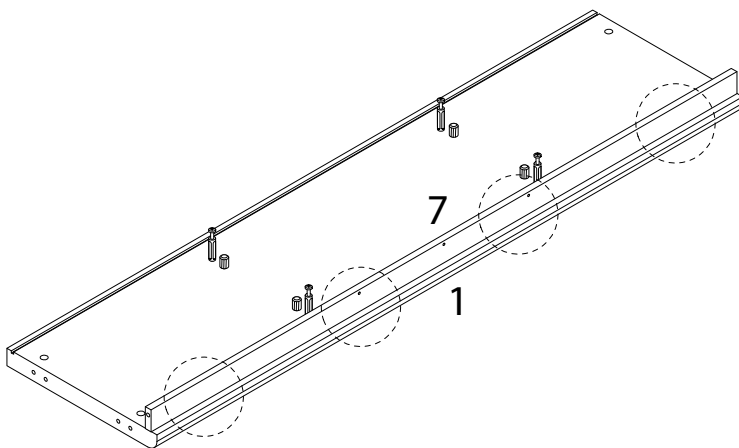


9

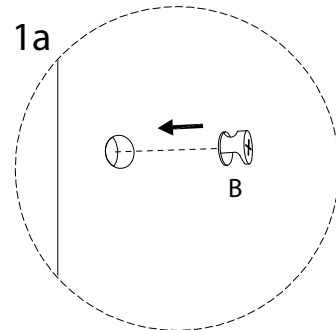
B



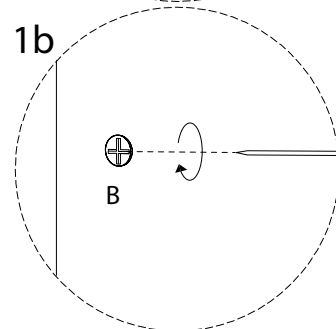
x 4



1a

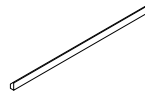


1b



10

10

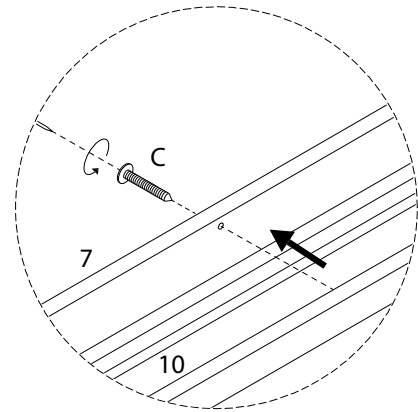
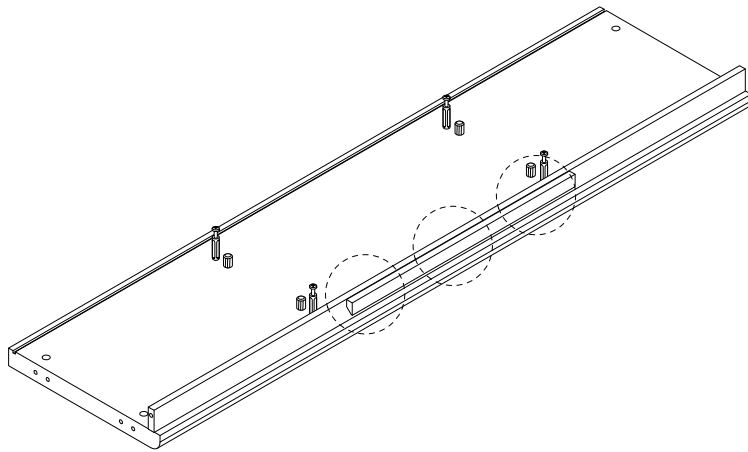


x 1

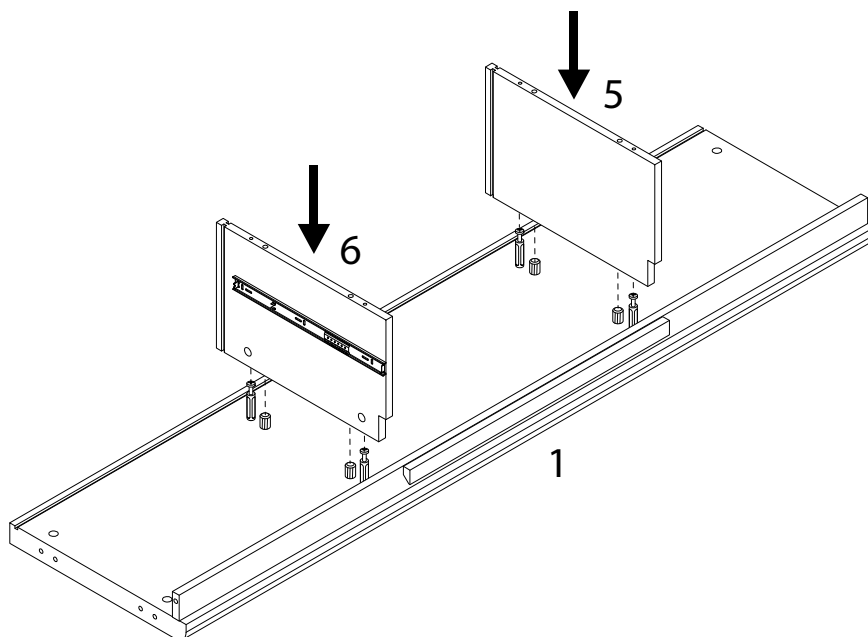
C



x 3



11

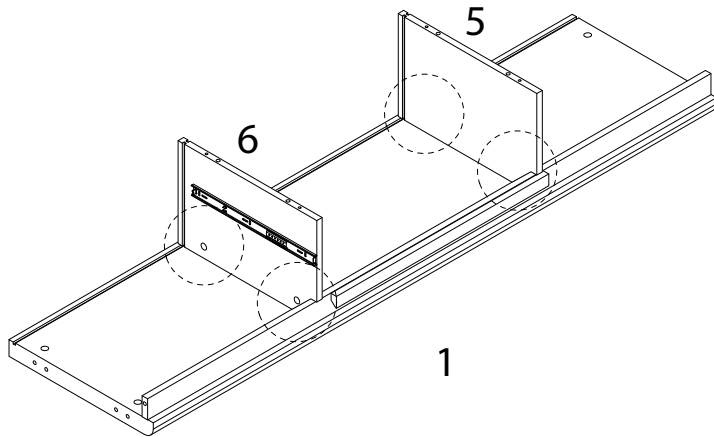


12

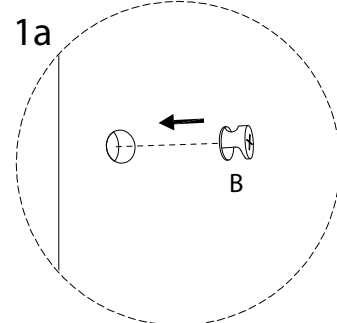
B



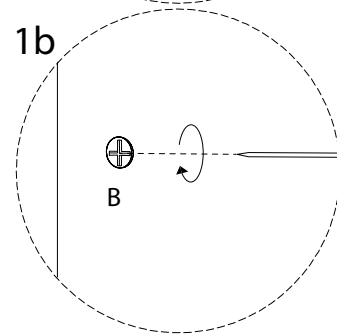
x 4



1a

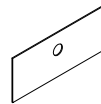


1b

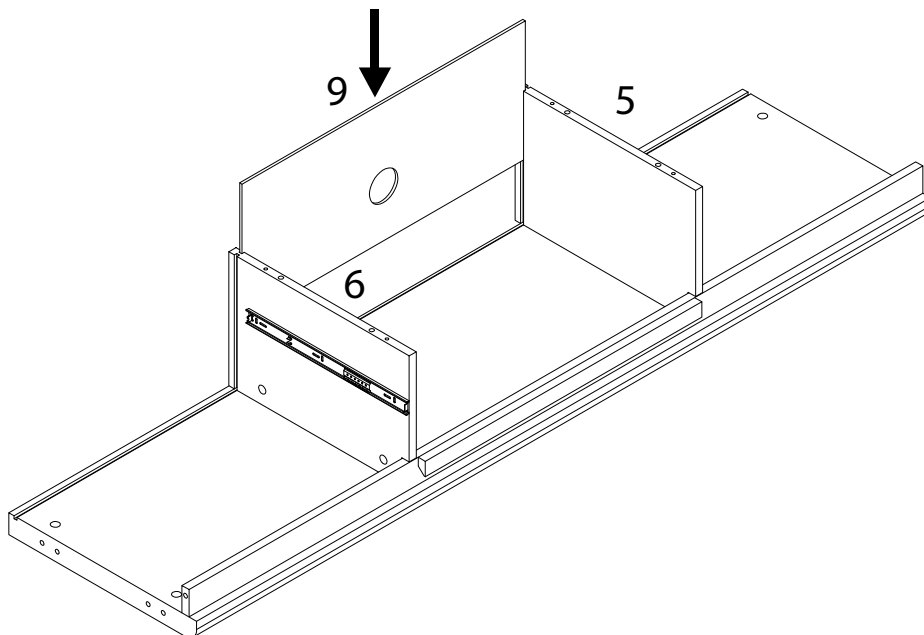


13

9

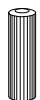


x 1

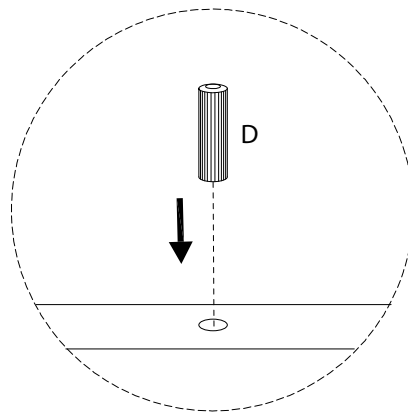
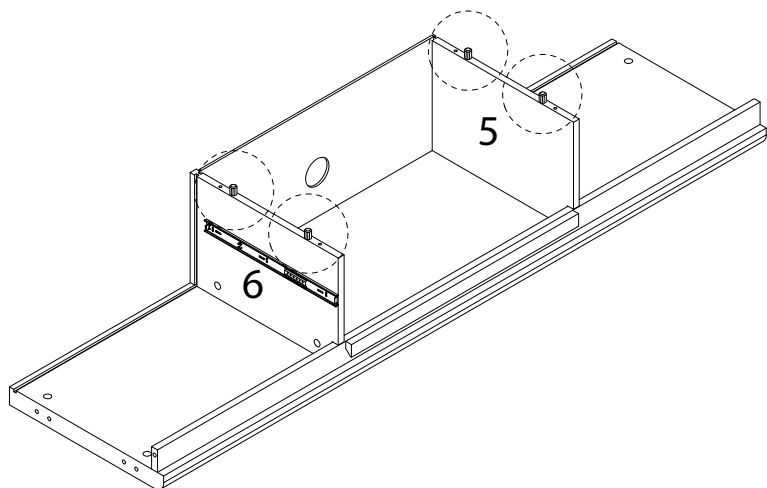


14

D

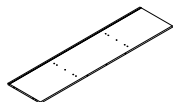


x4



15

2



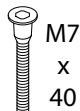
x 1

19



x 2

F



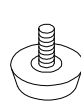
x 2

L

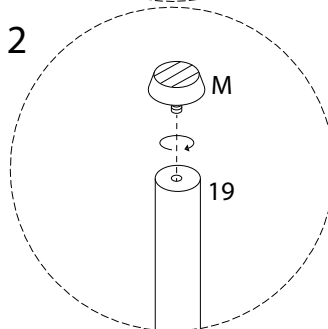
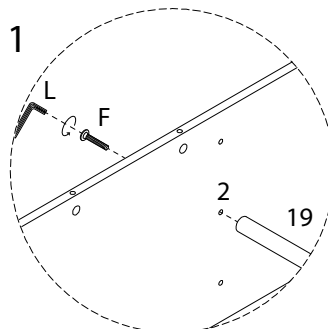
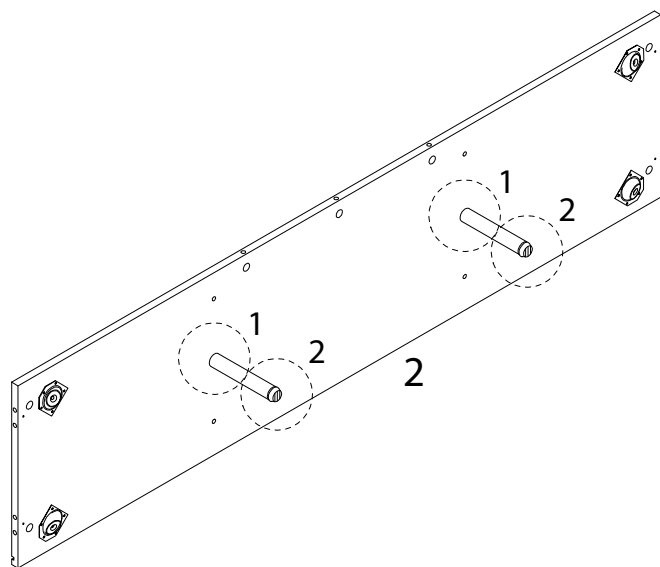


x 1

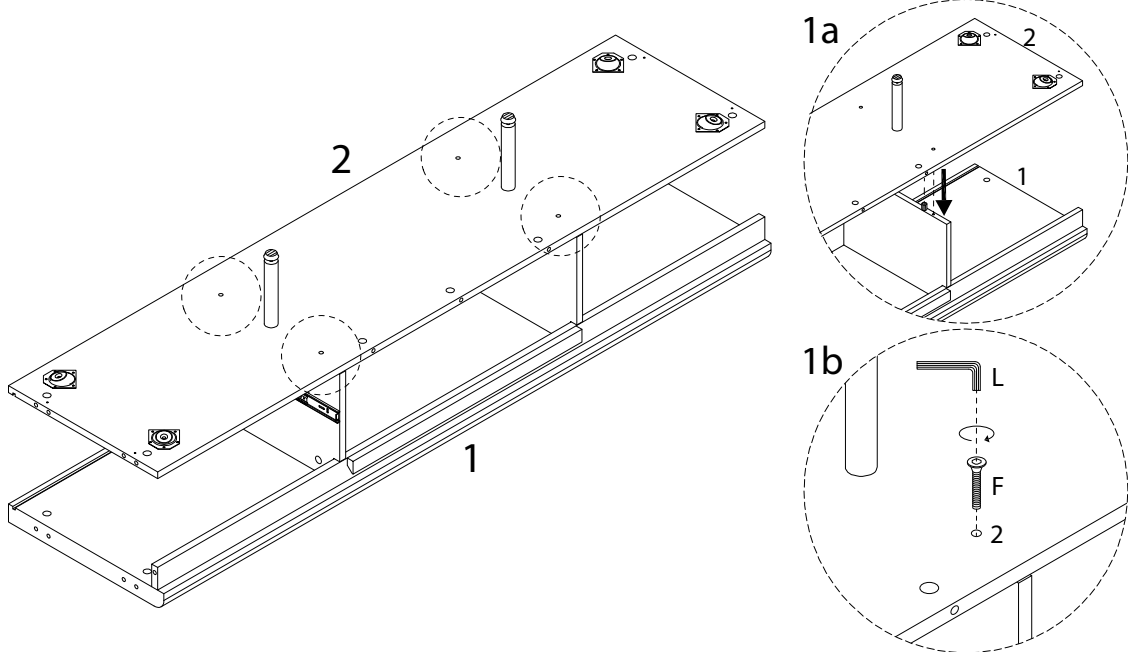
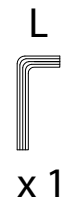
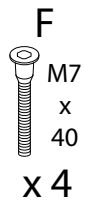
M



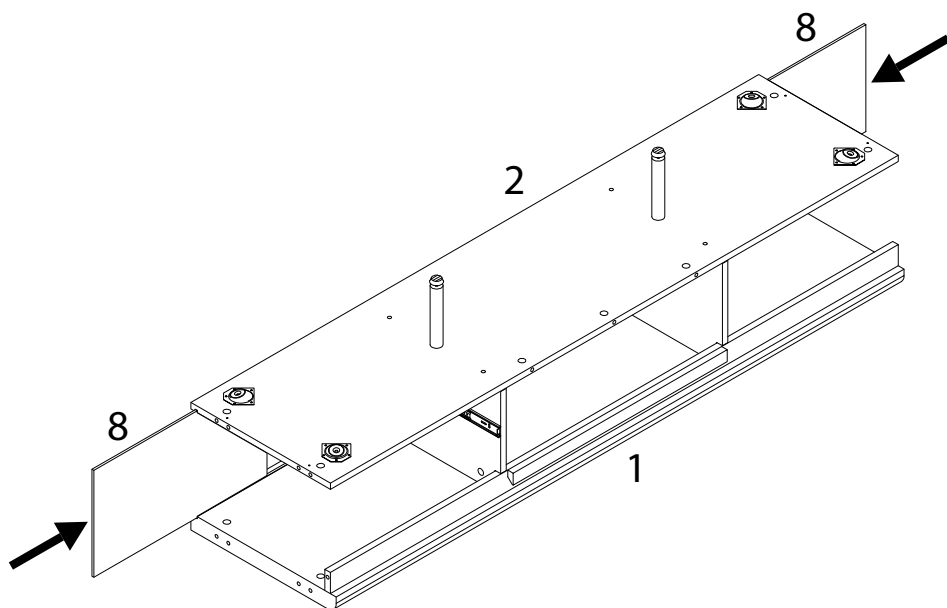
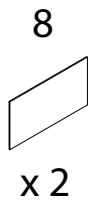
x 2



16

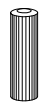


17

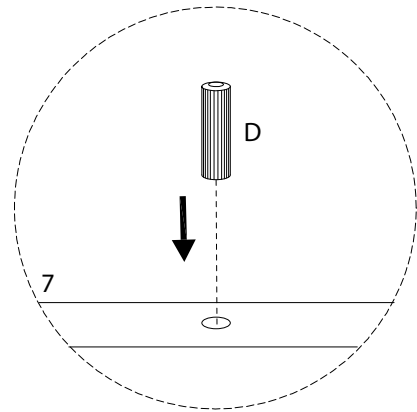
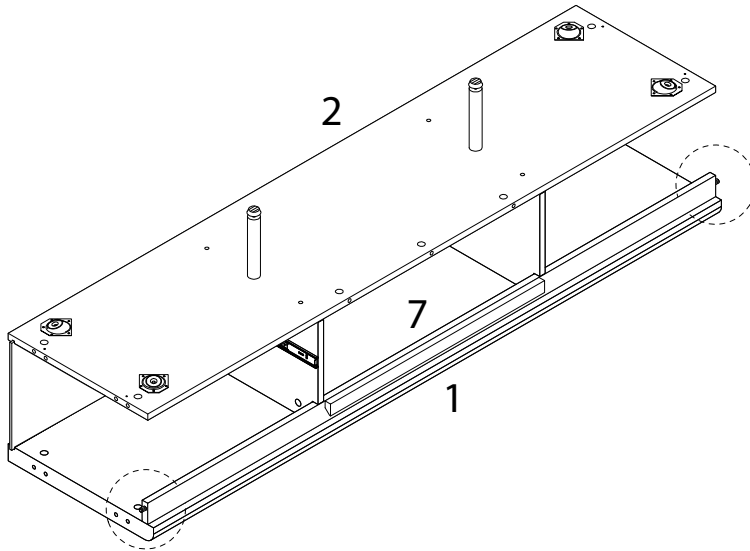


18

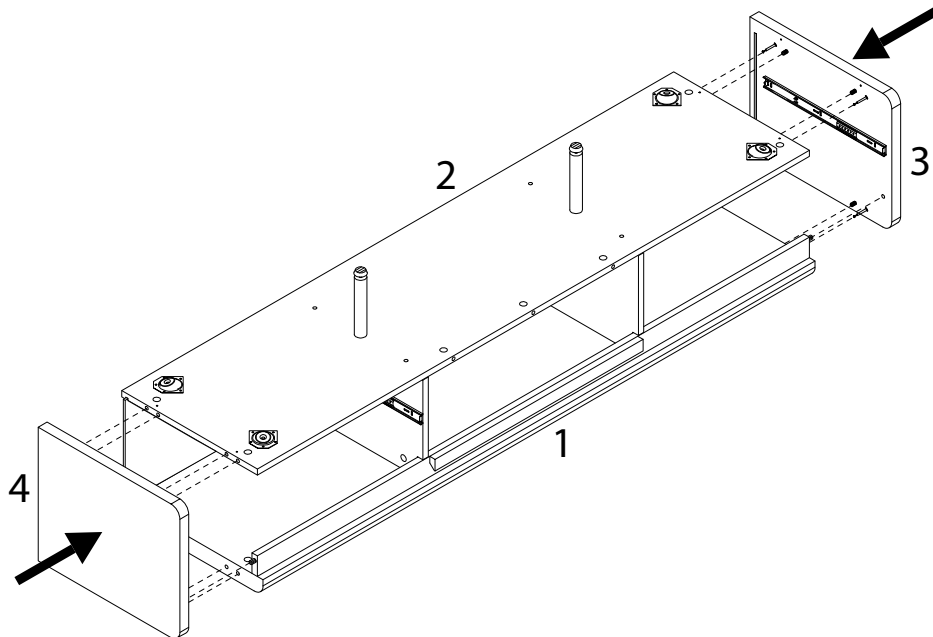
D



x2



19

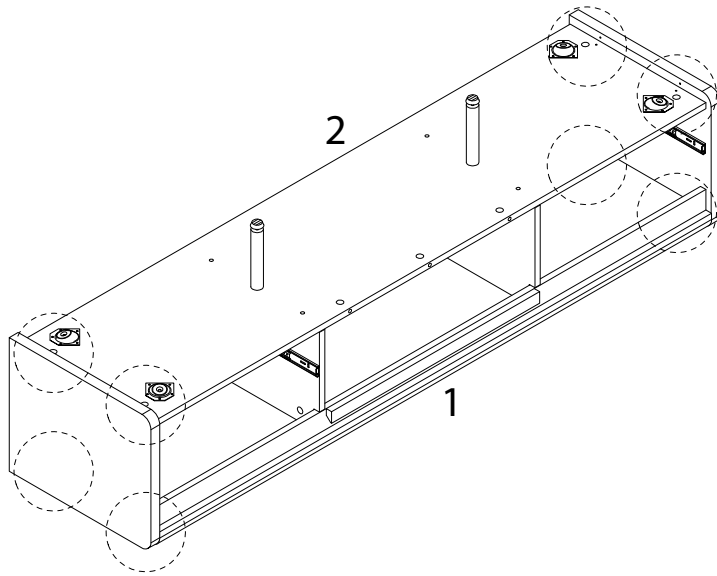


20

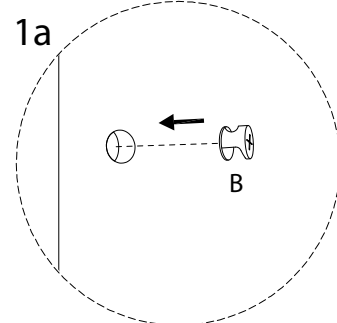
B



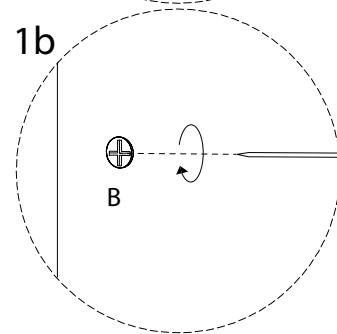
x 8



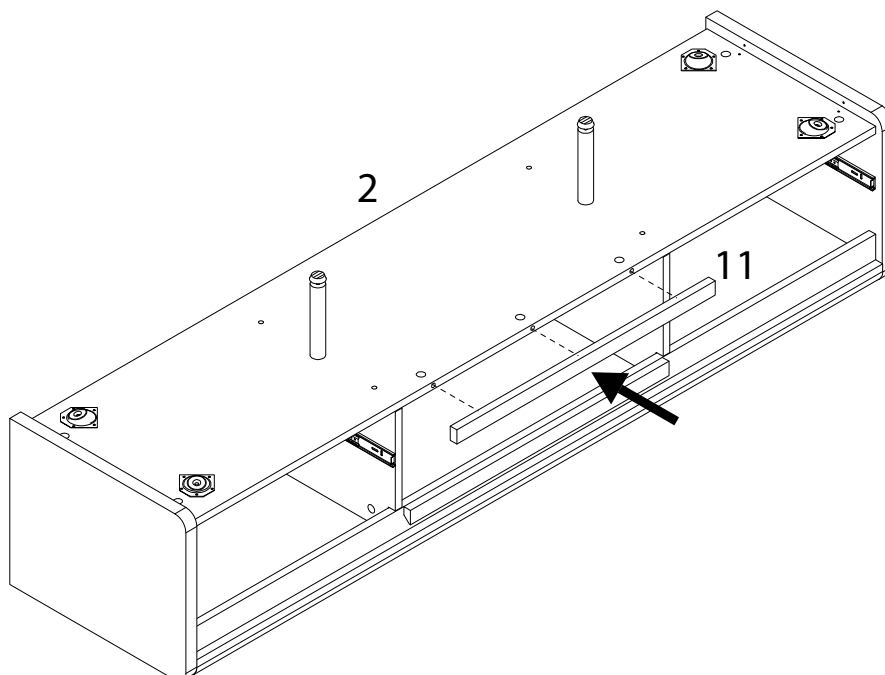
1a



1b



21



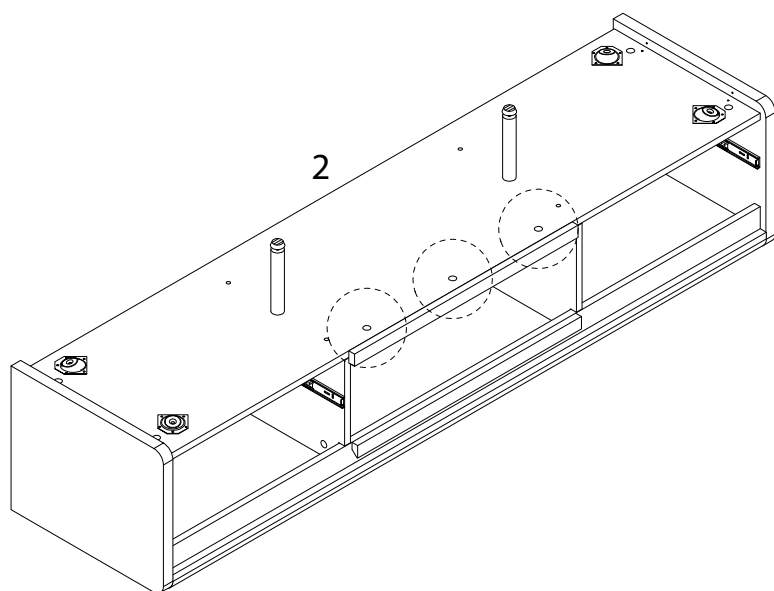


22

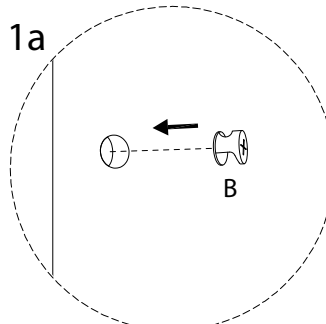
B



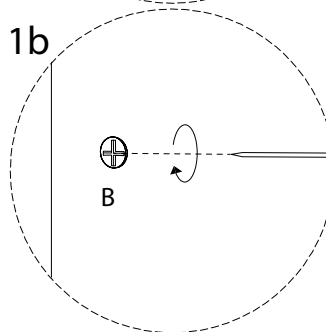
x 3



1a

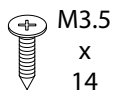


1b



23

E

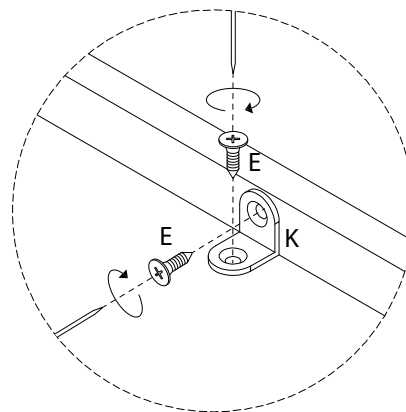
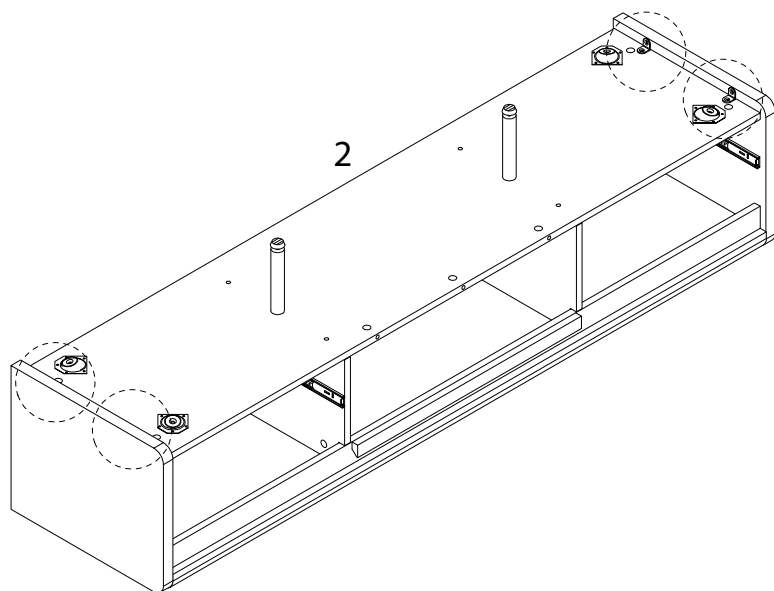


x 8

K



x 4

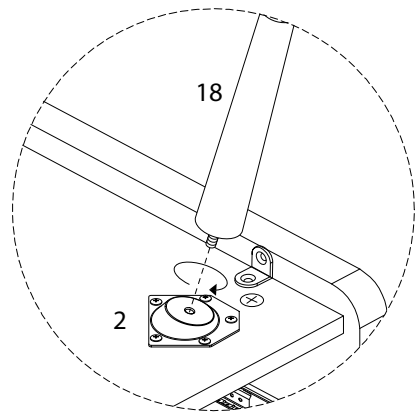
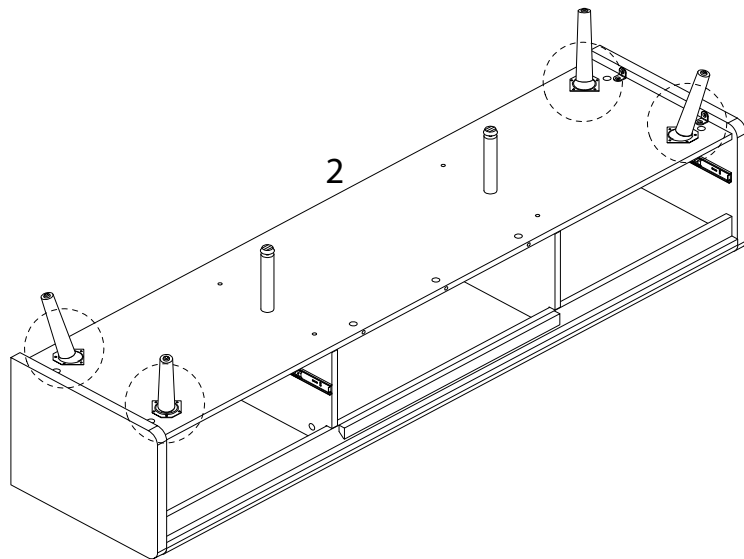


24

18



x 4



25

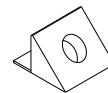
E



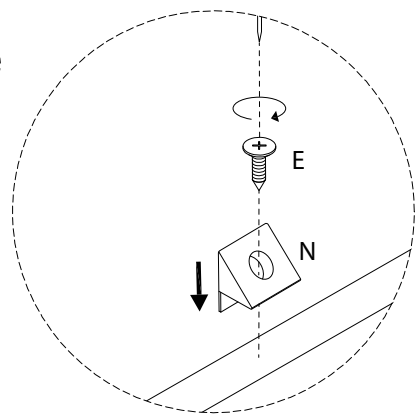
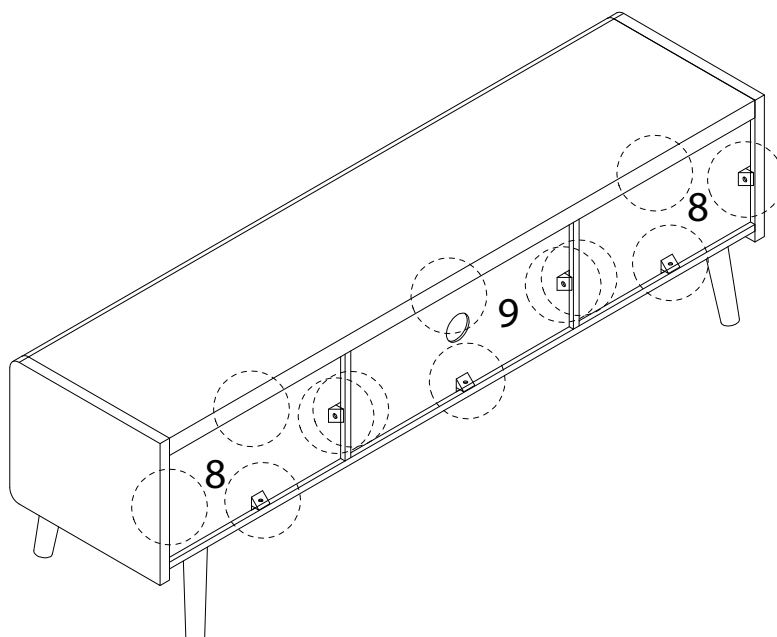
M3  
x  
14

x 12

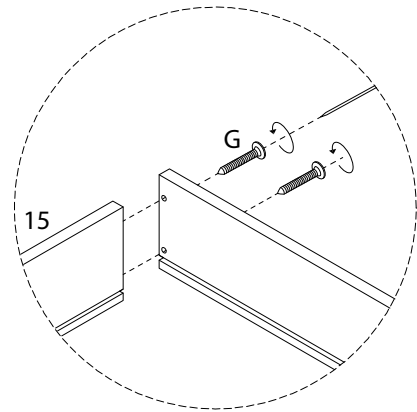
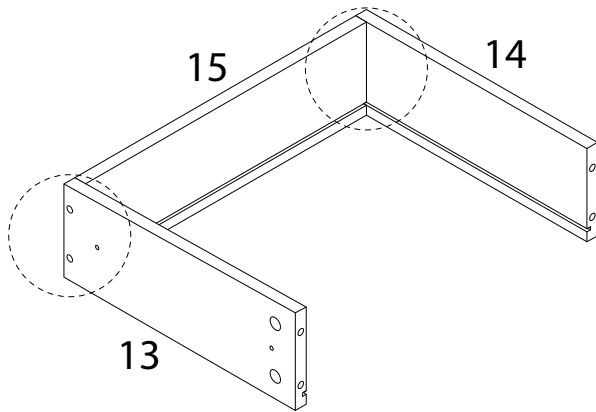
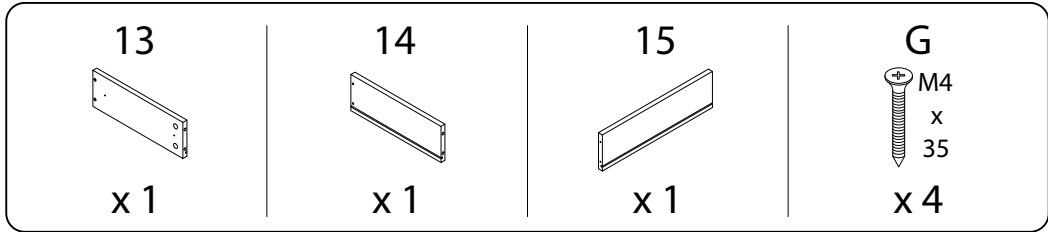
N



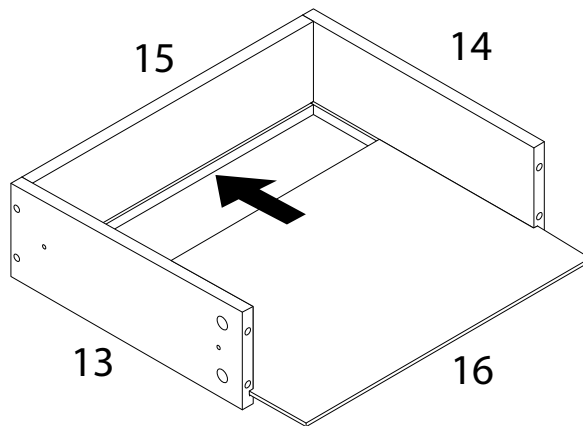
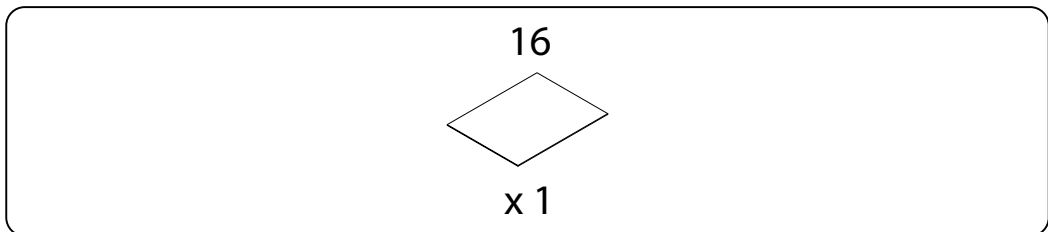
x 12



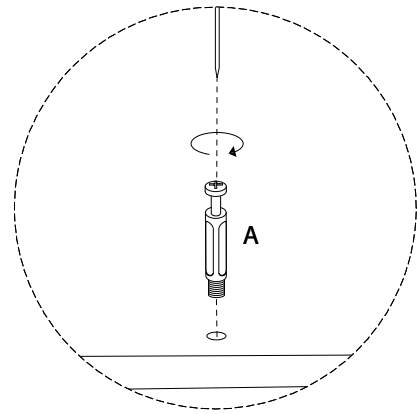
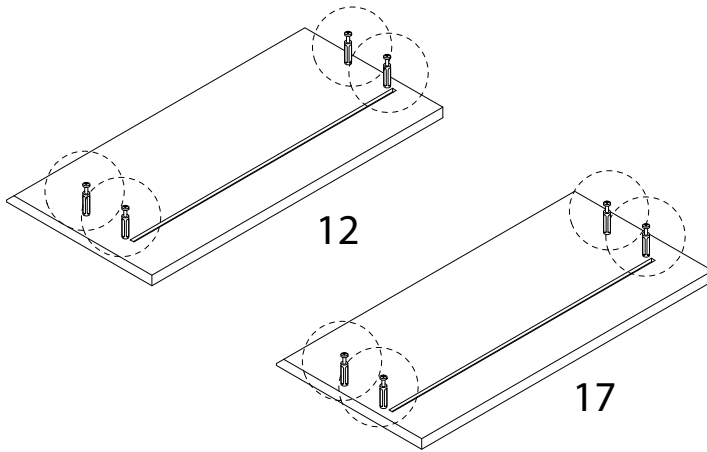
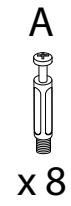
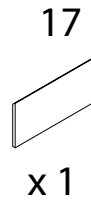
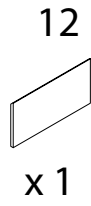
26 x 2



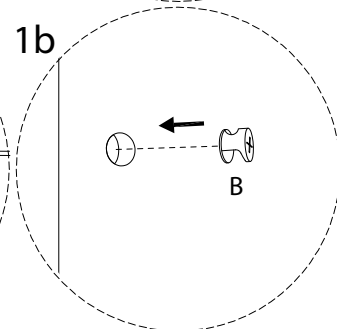
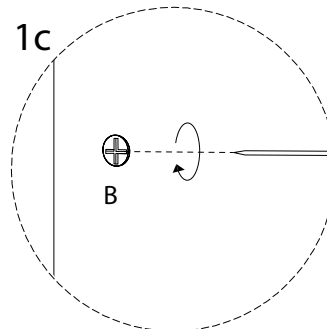
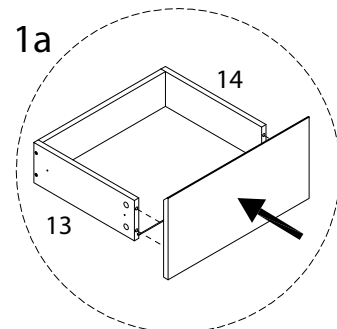
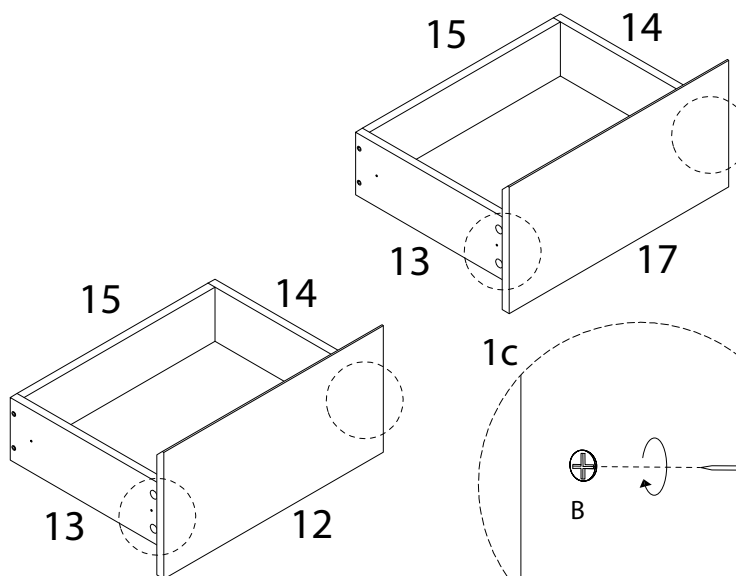
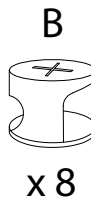
27 x 2



28

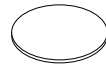


29

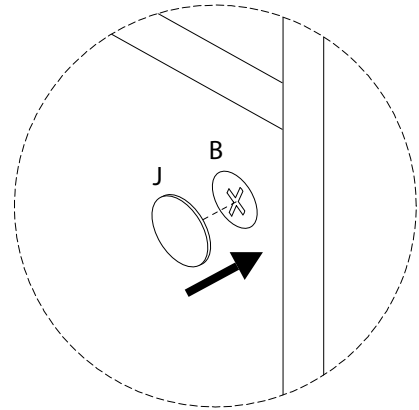
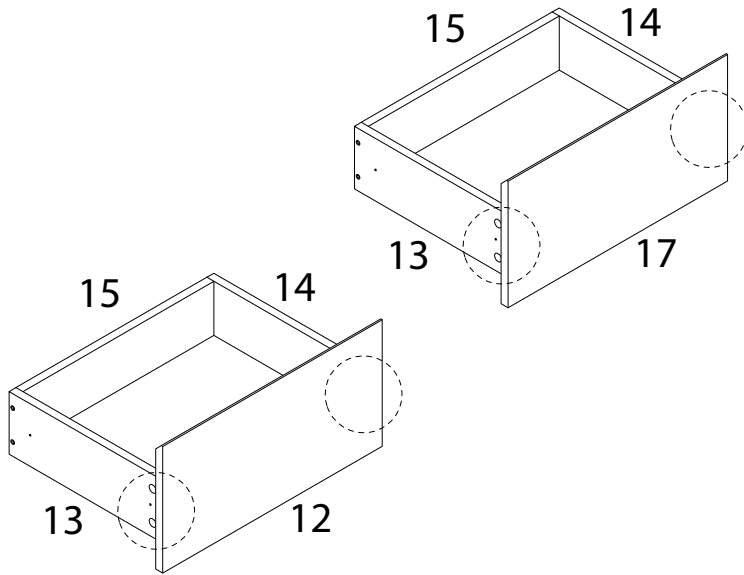


30

J

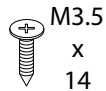


x 8



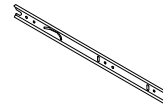
31

E

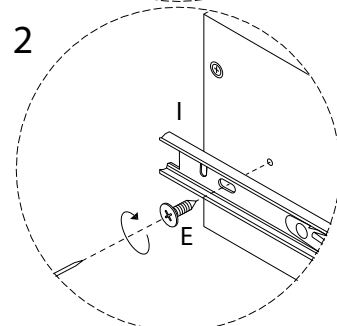
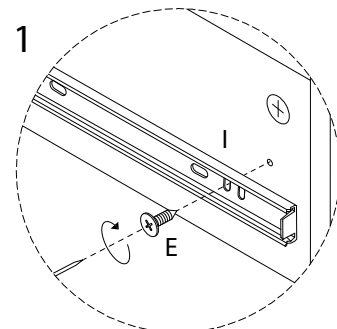
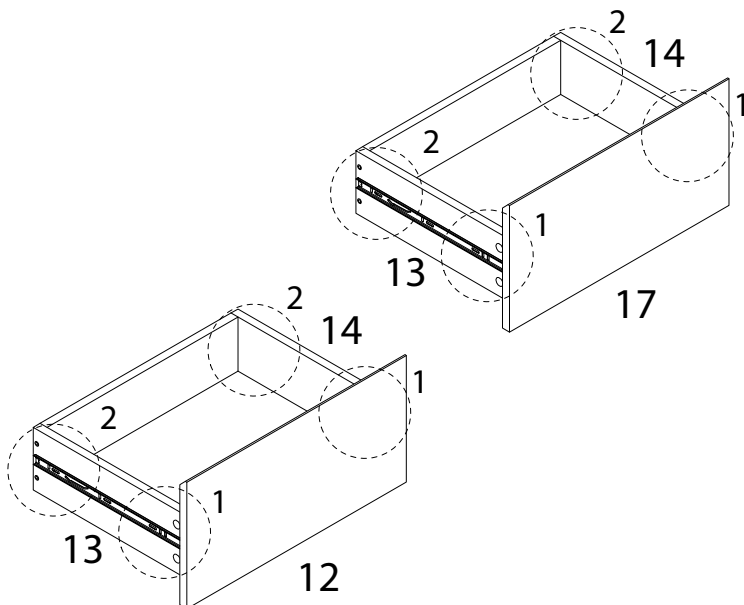


x 8

I



x 4



32

