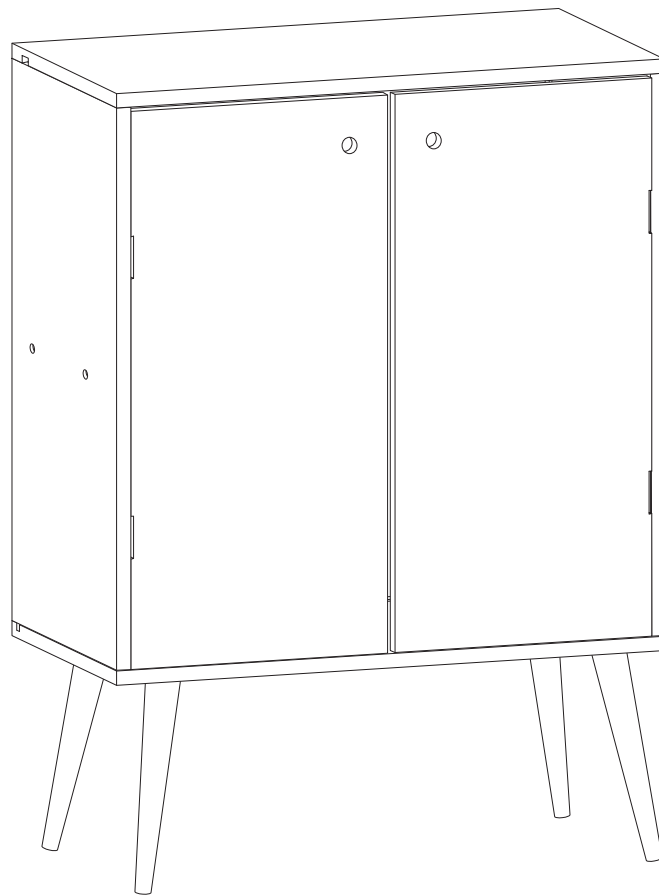
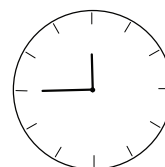
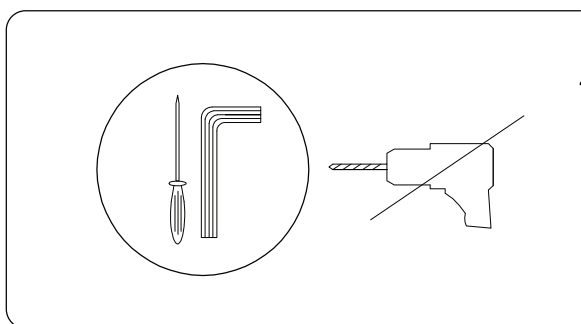
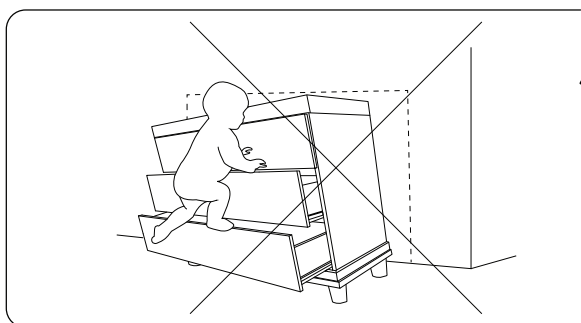
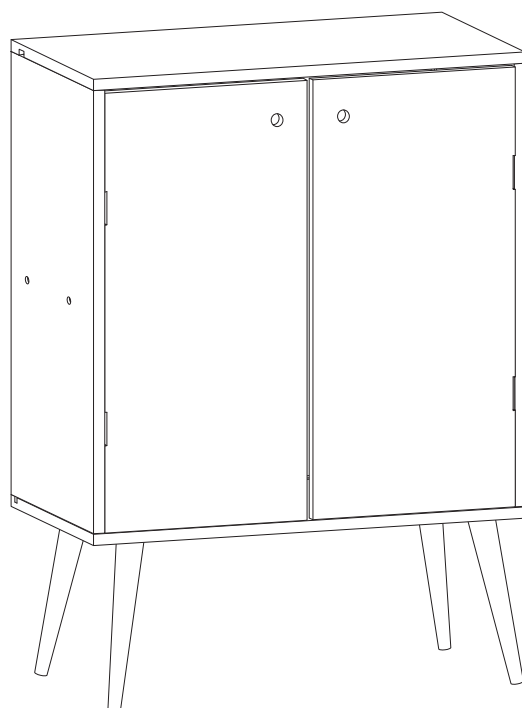
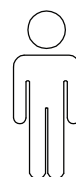
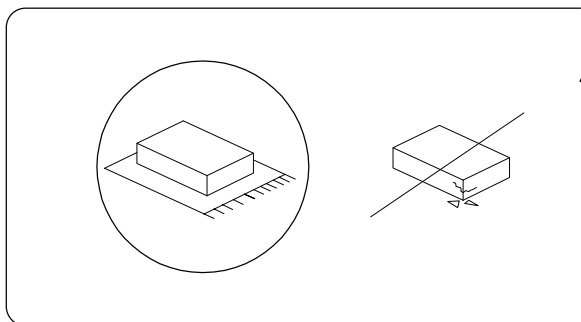


CHANDLER

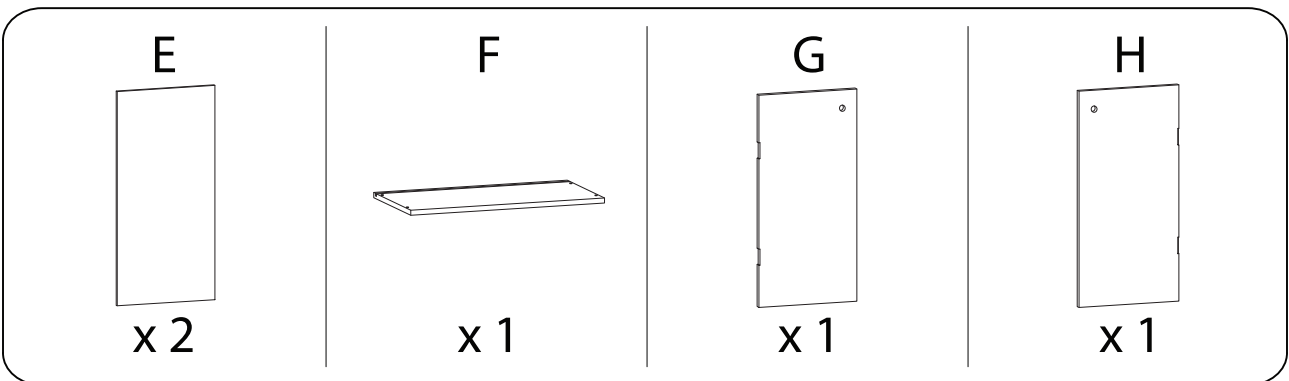
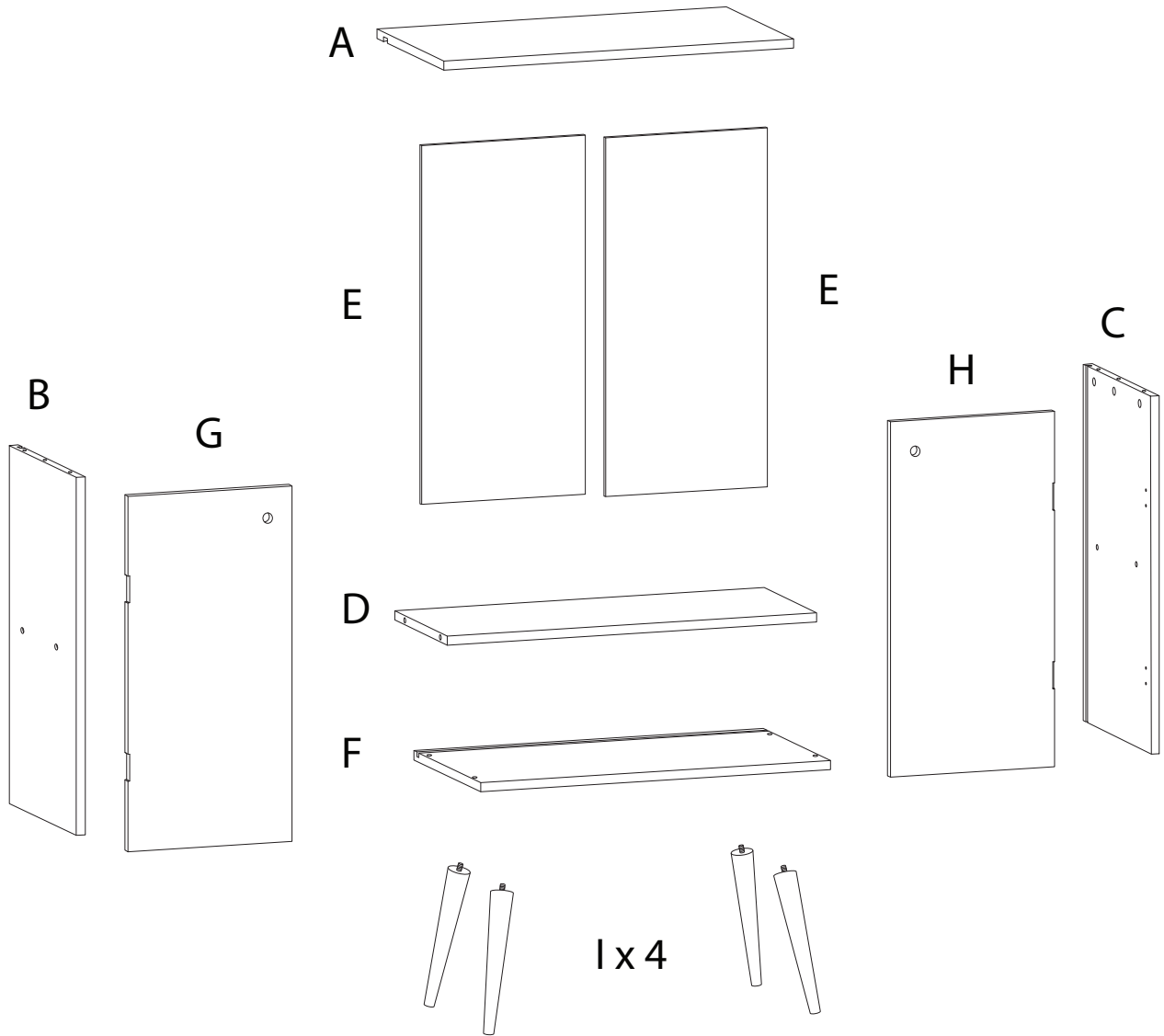
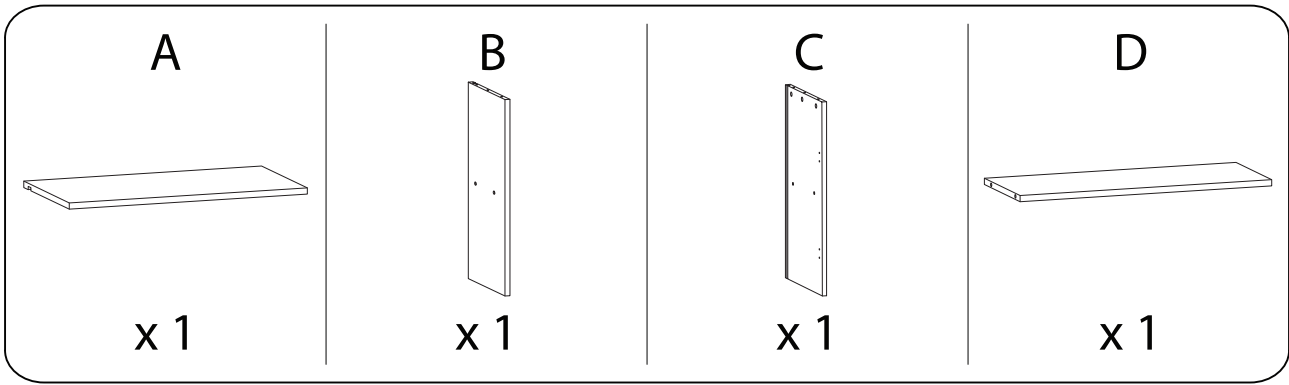




45'



1

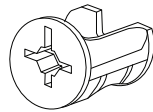


I



x 4

J



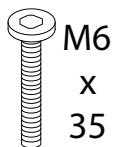
x 6

K



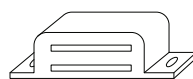
x 6

L



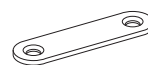
x 8

M



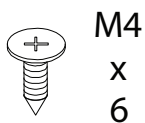
x 2

N1



x 2

N2



x 4

O



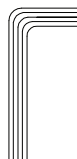
x 12

P



x 1

Q



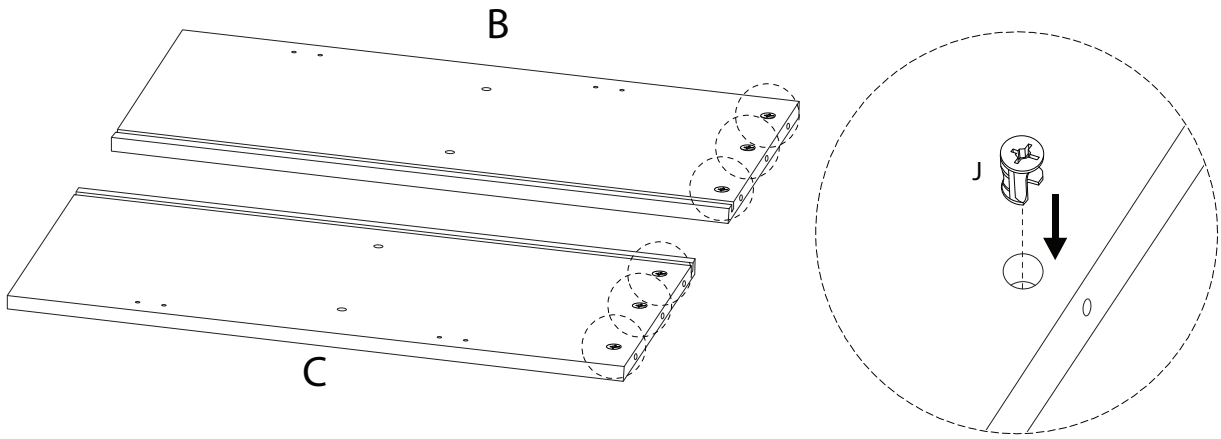
x 1

1

B
x1

C
x1

J
x6

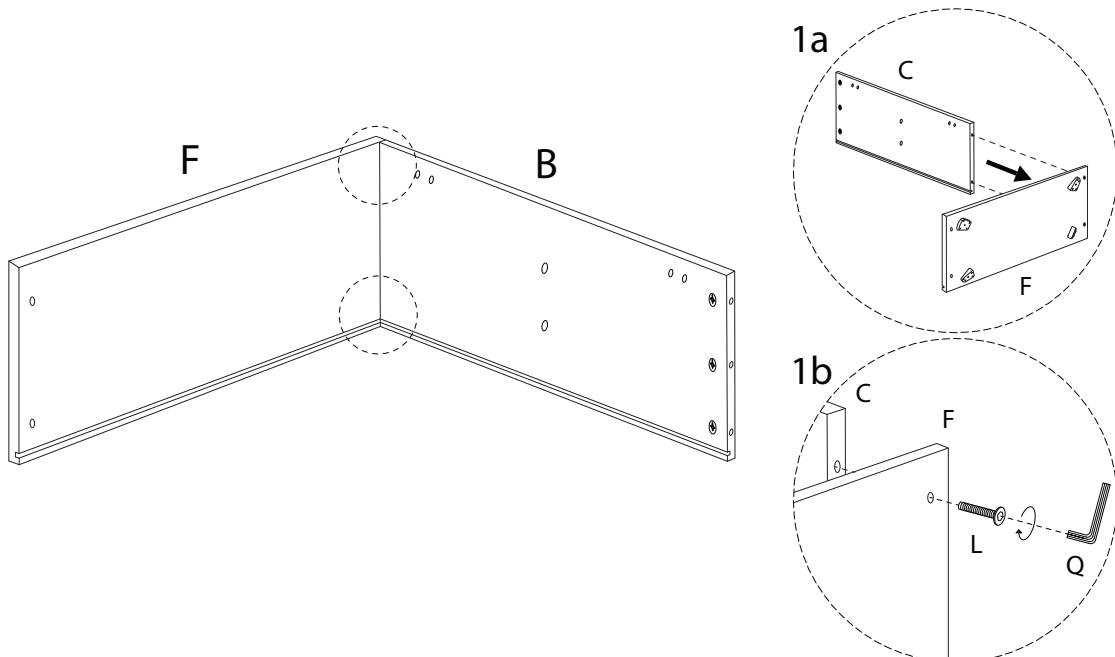


2

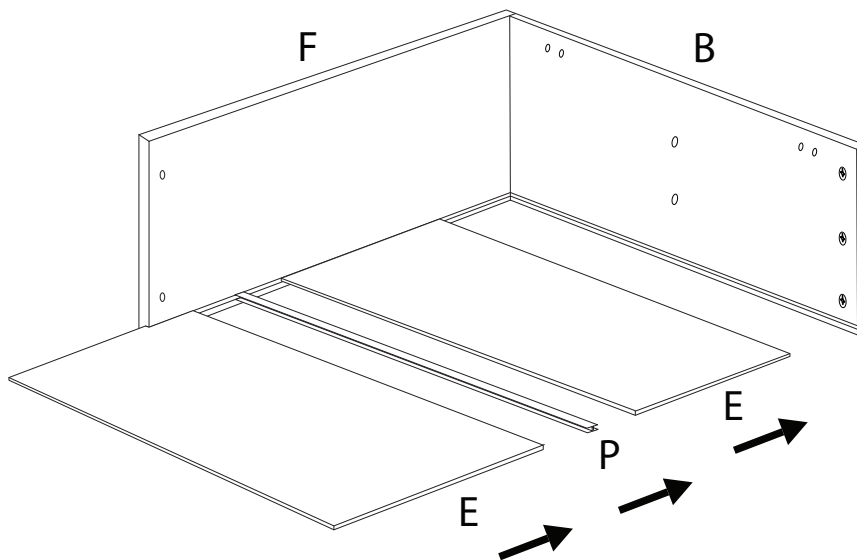
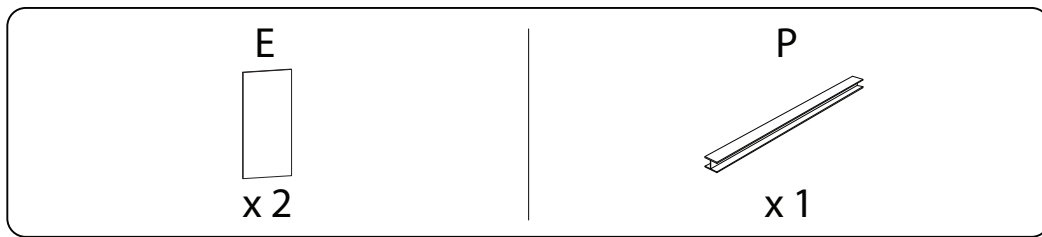
F
x1

L
M6
x
35
x2

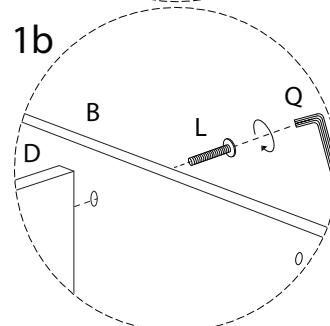
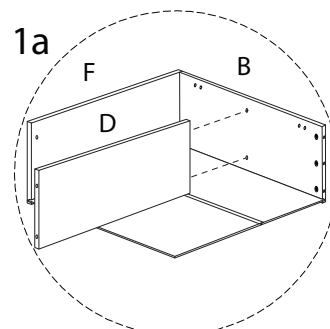
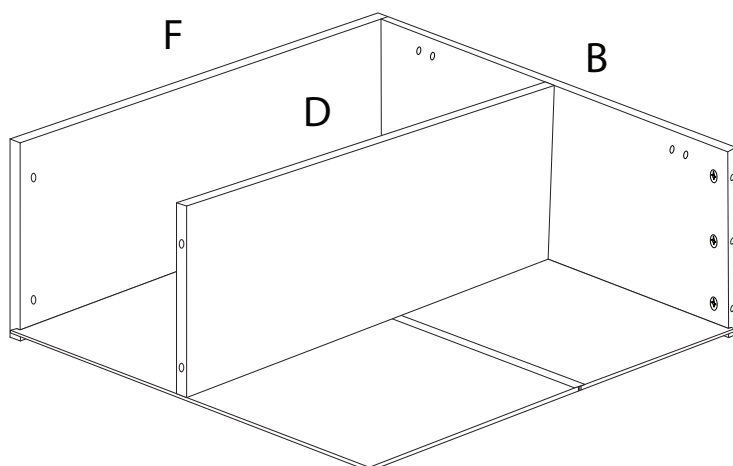
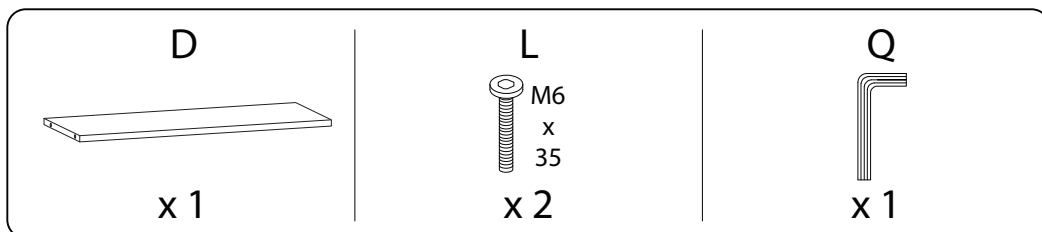
Q
x1



3



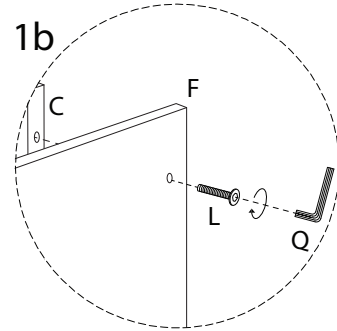
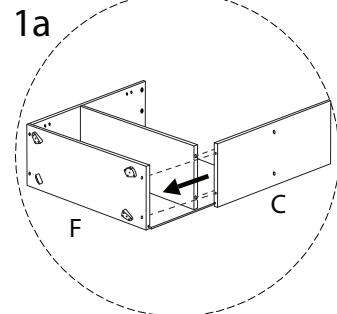
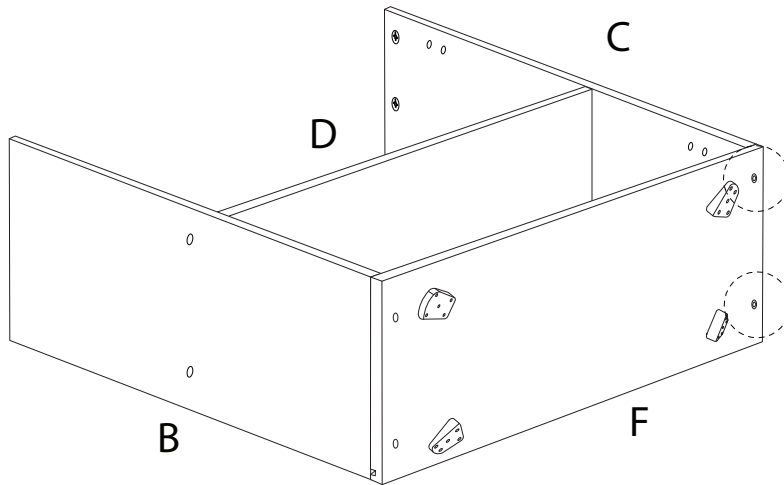
4



5

L
M6
x
35
x2

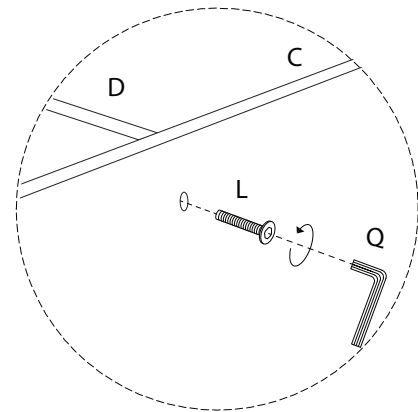
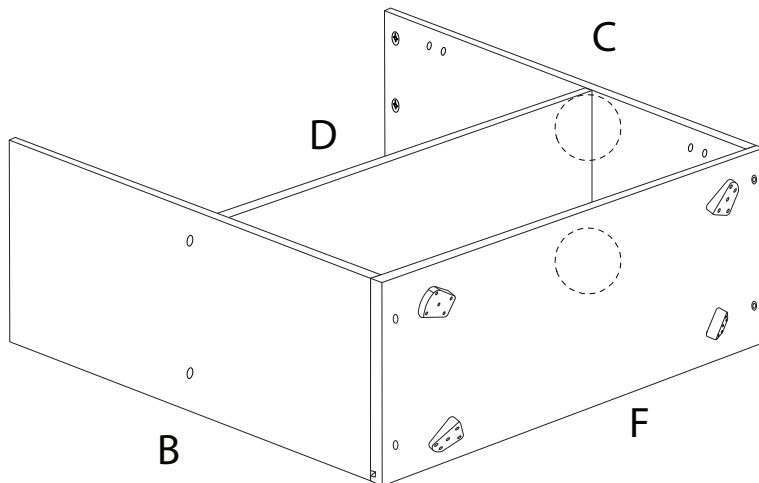
Q
x1



6

L
M6
x
35
x2

Q
x1



7

A

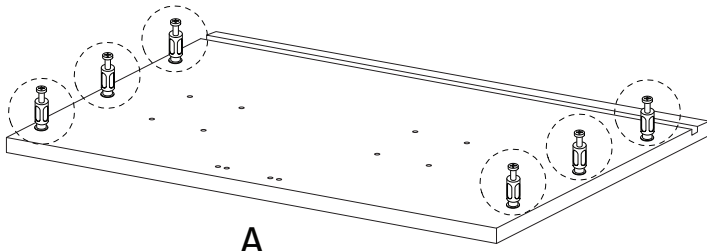


x 1

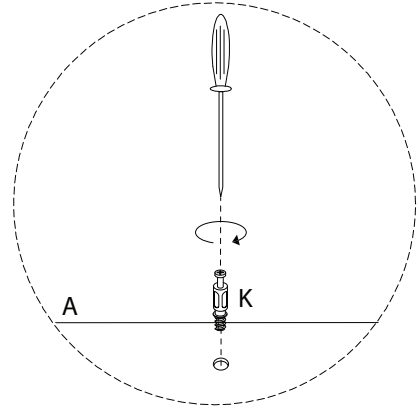
K



x 6

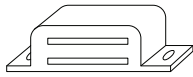


A



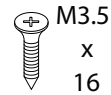
8

M



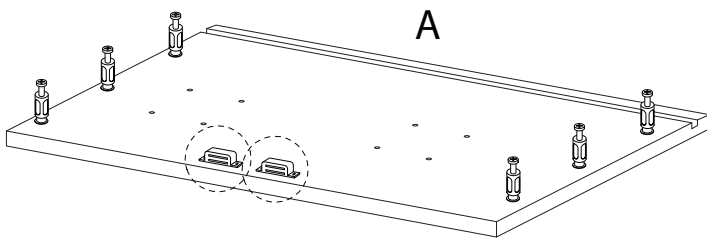
x 2

O

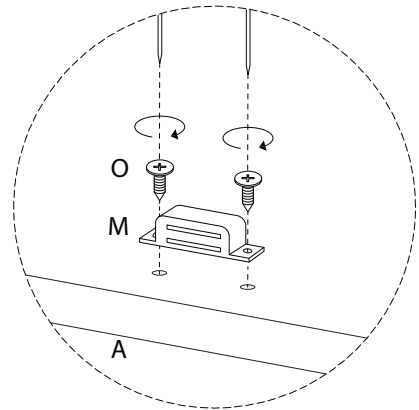


M3.5
x
16

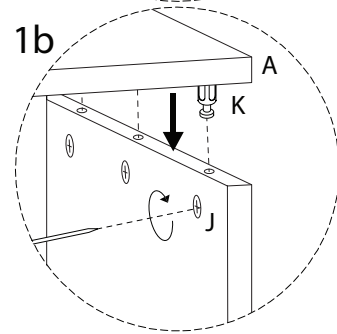
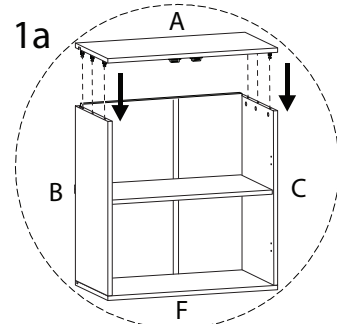
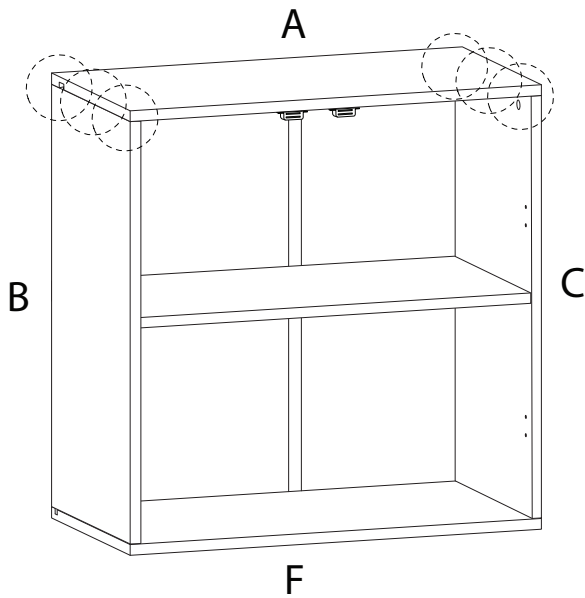
x 4



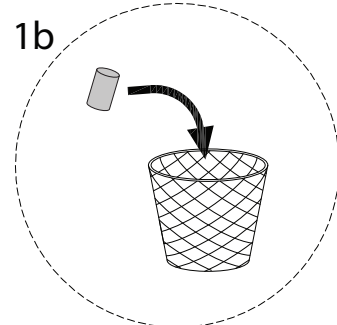
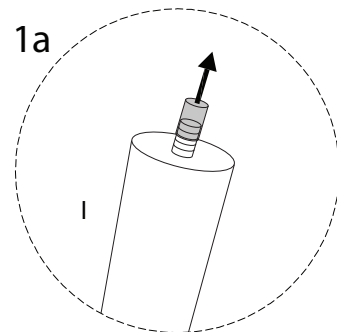
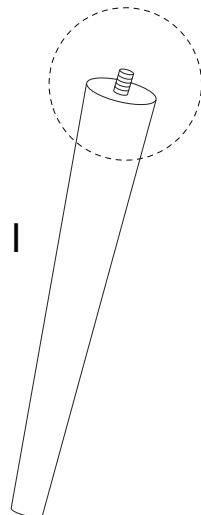
A



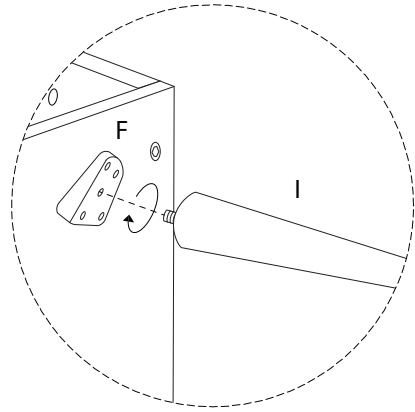
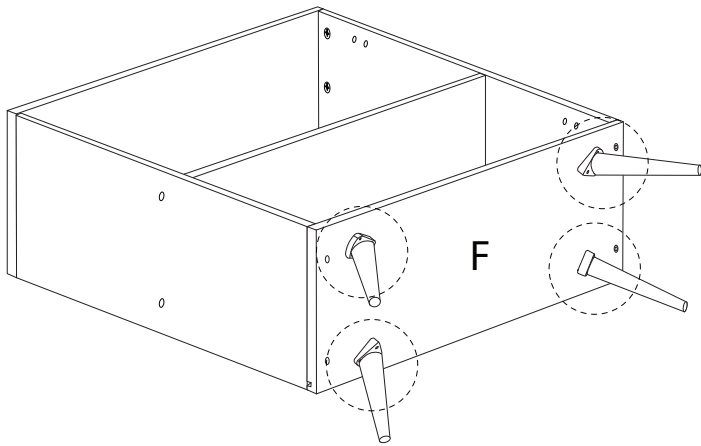
9



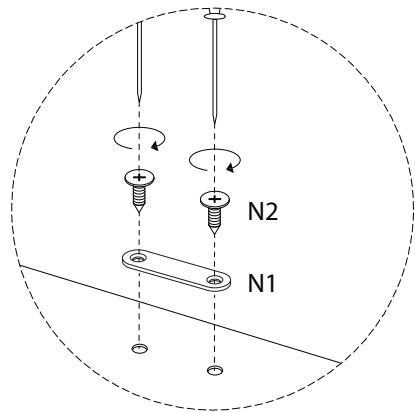
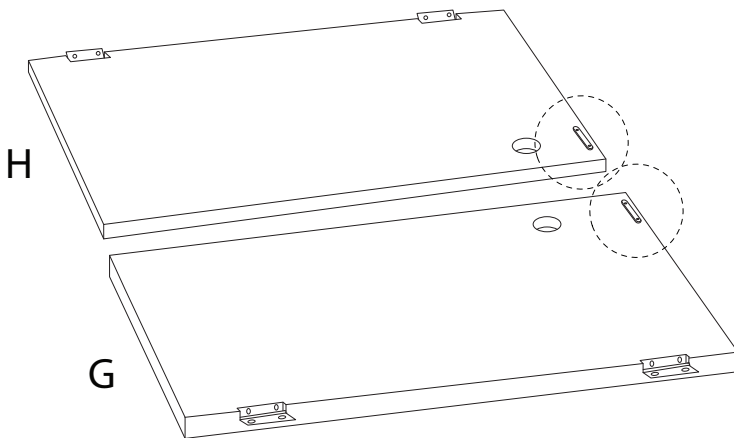
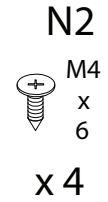
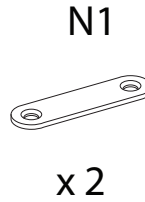
!



10

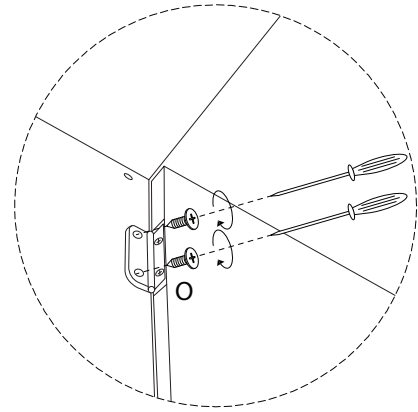
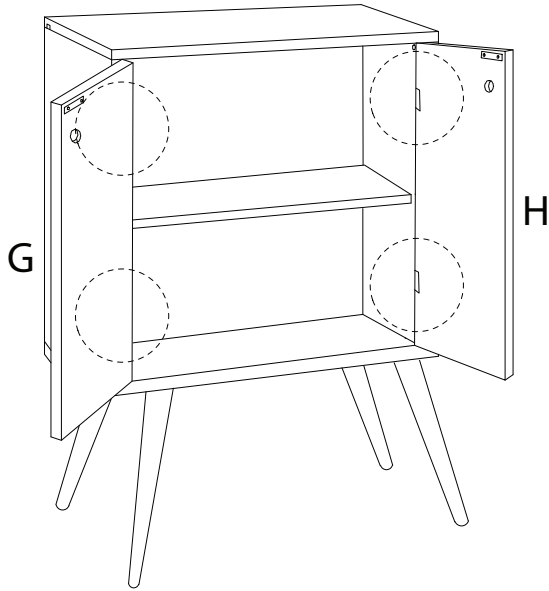


11

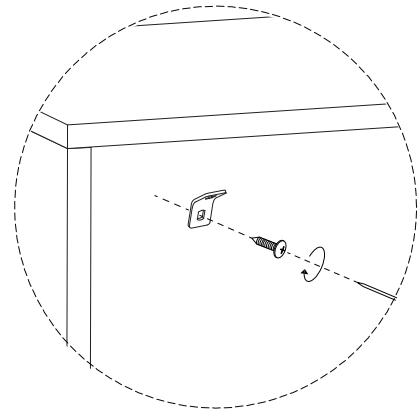
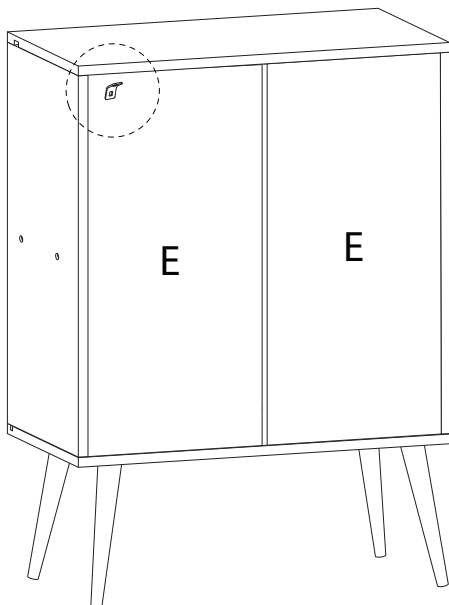


12

O
M3.5
x
16
x 8



!



!

