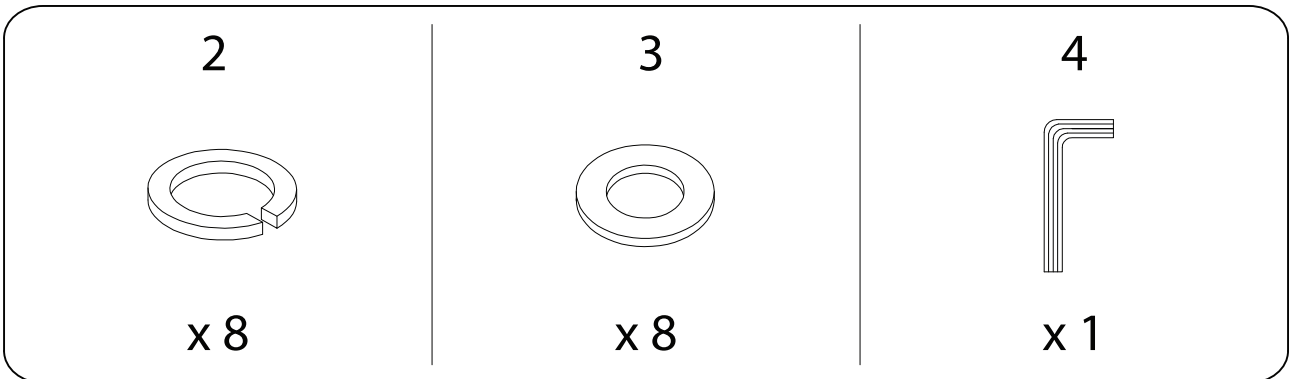
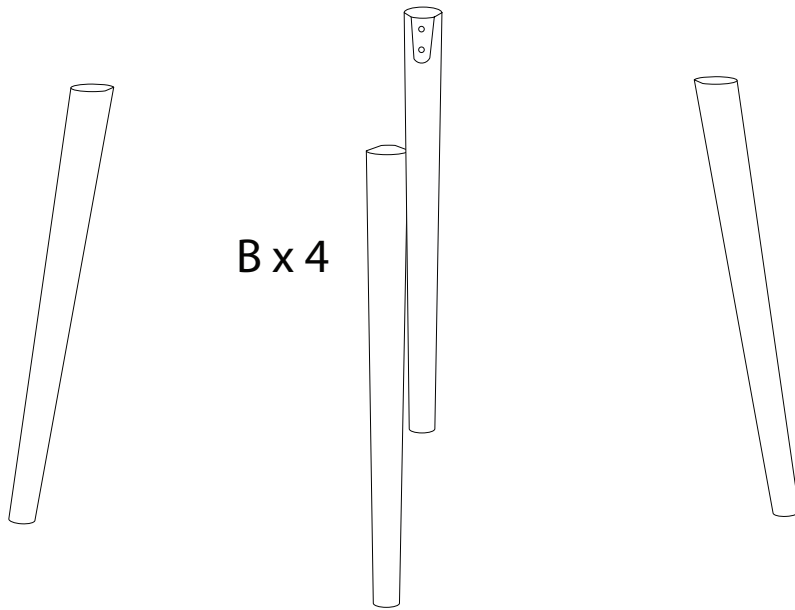
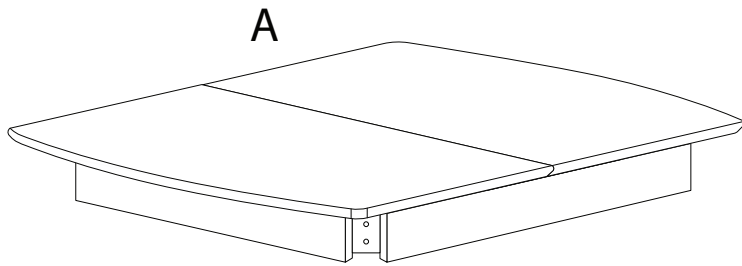
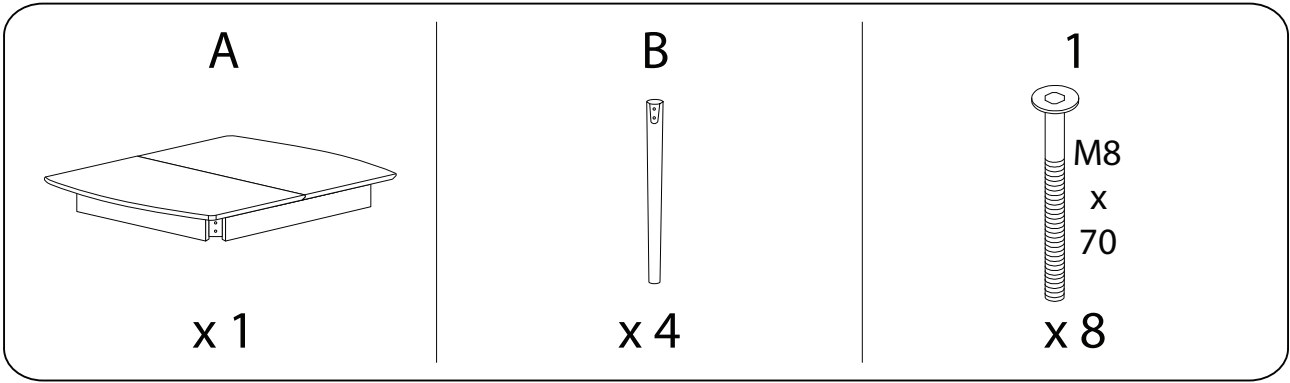








Diagram illustrating assembly instructions and safety warnings:

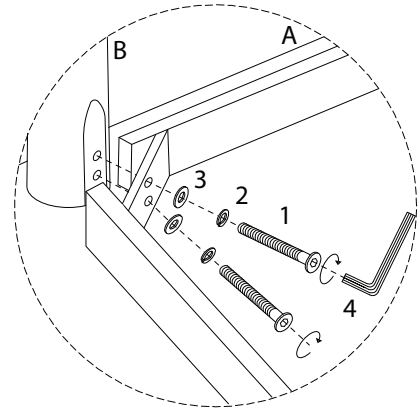
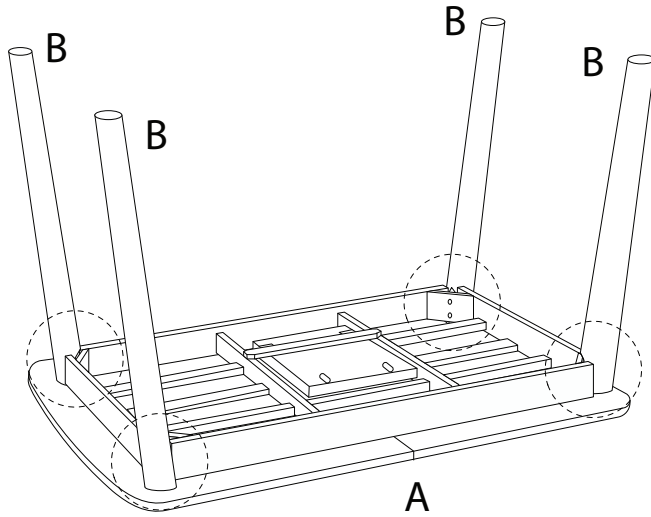
- Warning 1:** A warning triangle with an exclamation mark is positioned above a box containing an L-shaped bracket and a power drill with a slash through it, indicating that a power drill should not be used for this step.
- Warning 2:** A second warning triangle with an exclamation mark is positioned above a box containing a rectangular block being placed on a surface and a diagram showing a block being secured with a screw.
- Time:** A clock icon is shown next to the text "30'", indicating a 30-minute assembly time.
- Personnel:** An icon of a person is shown next to the number "2", indicating that two people are required for assembly.

1/4

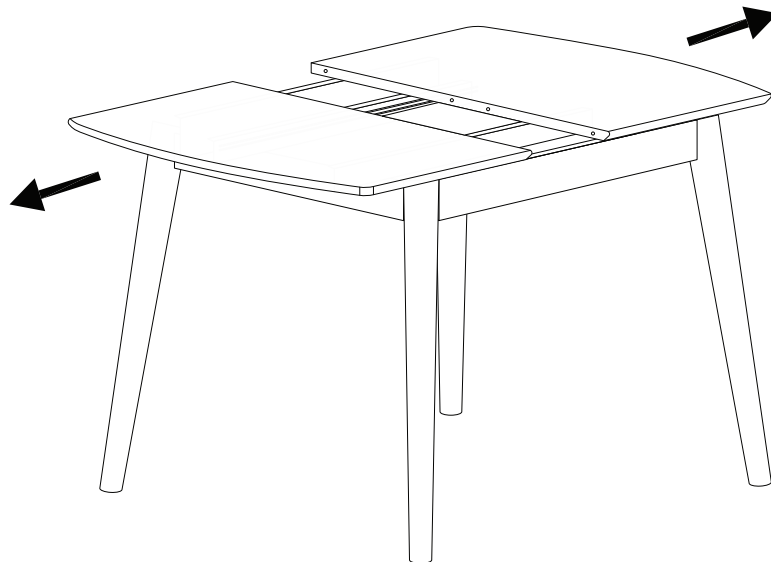


1

<b>A</b>  x 1	<b>B</b>  x 4	<b>1</b>  x 8	<b>2</b>  x 8	<b>3</b>  x 8	<b>4</b>  x 1
--	--	--	---	--	--



2



3

