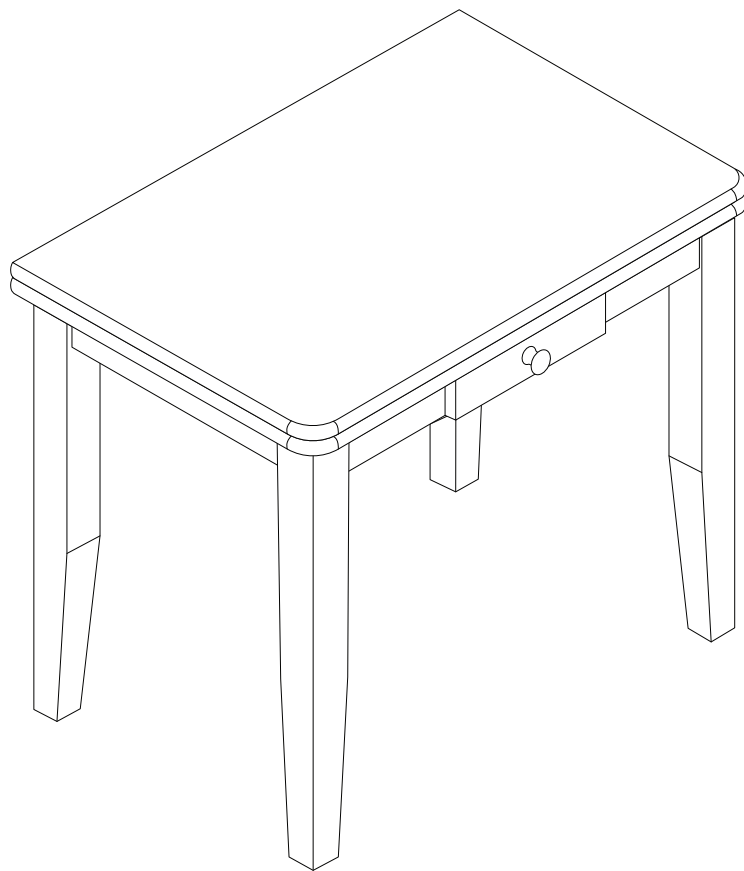
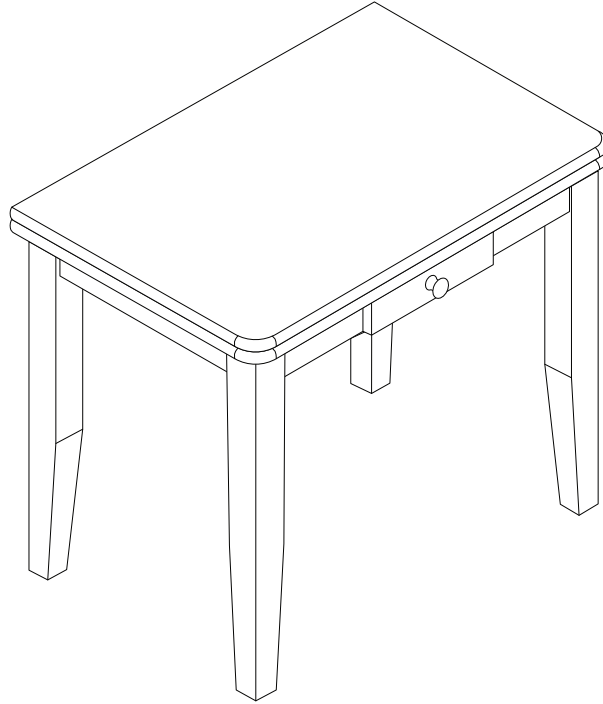


# MASELA

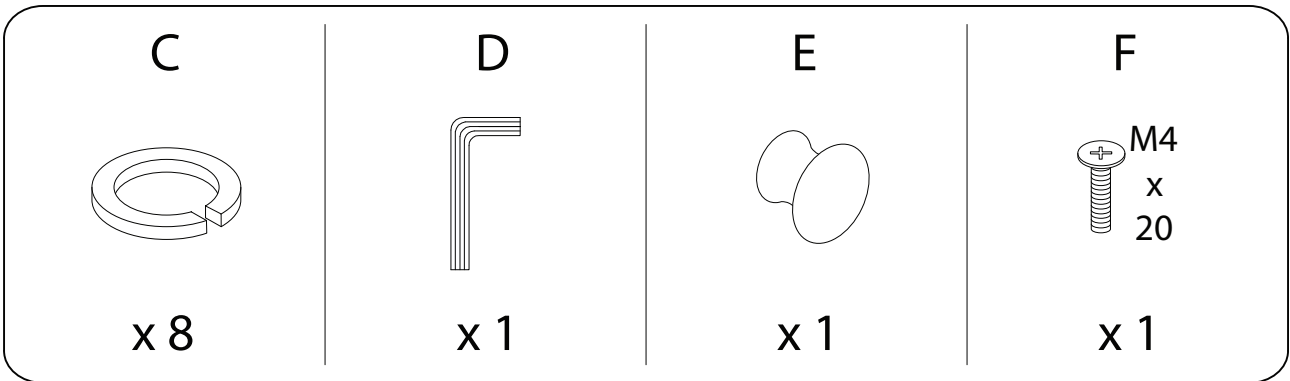
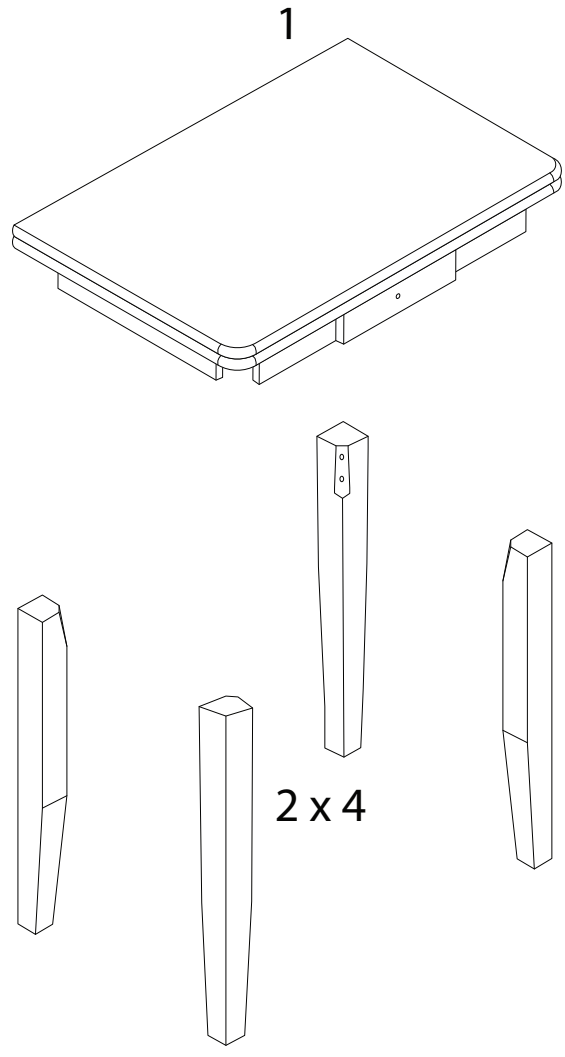
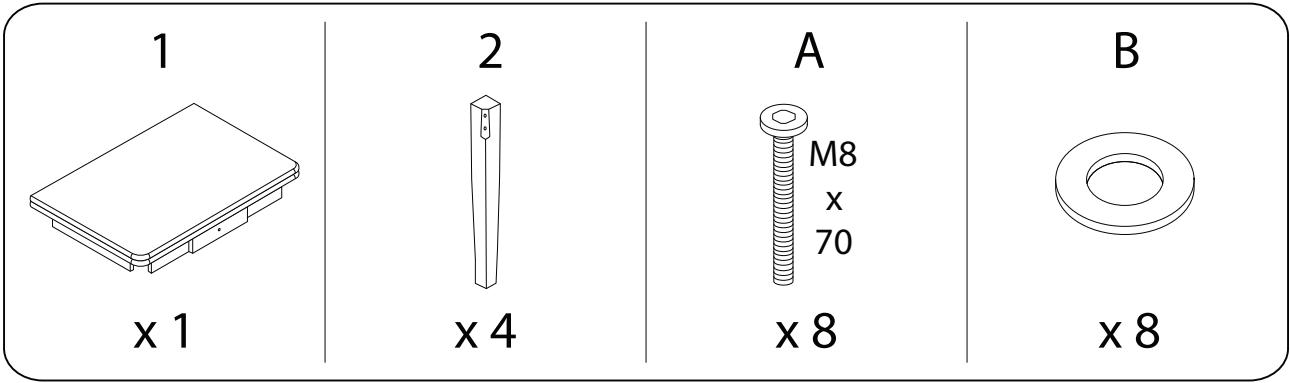




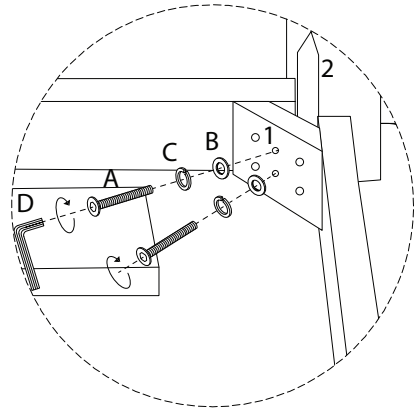
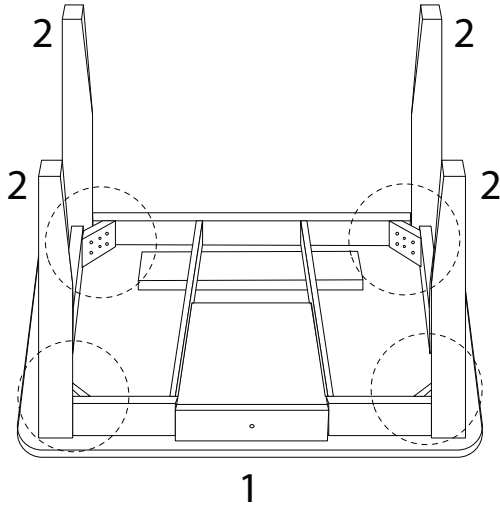
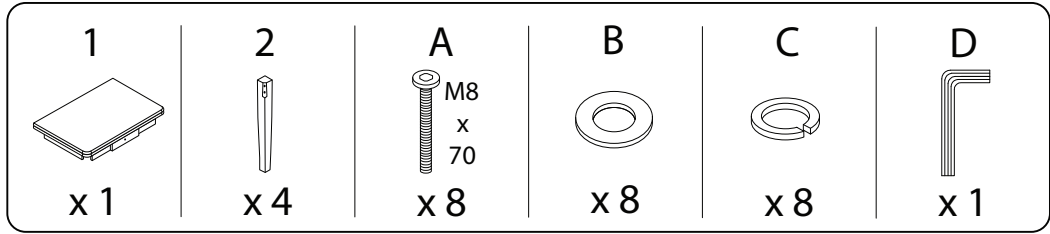
Assembly instructions for step 1/4:

- Tools:** A circle containing a screwdriver and an L-shaped hex key. A power drill is shown with a diagonal line through it, indicating it should not be used.
- Warning:** A triangle with an exclamation mark.
- Time:** A clock icon with the text "30'" below it, indicating an estimated assembly time of 30 minutes.
- Personnel:** A stick figure icon with the number "2" below it, indicating that two people are required for assembly.

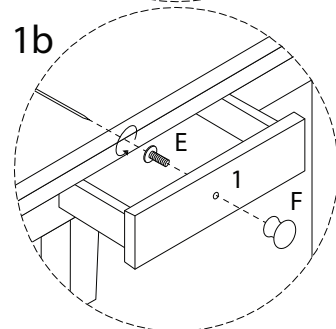
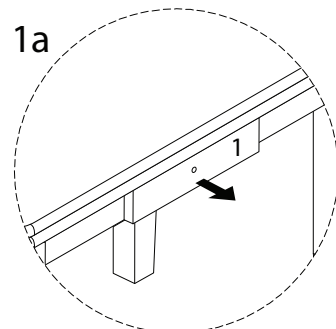
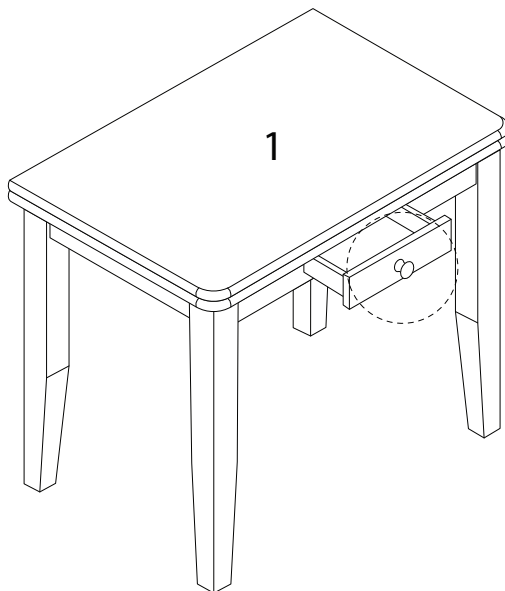
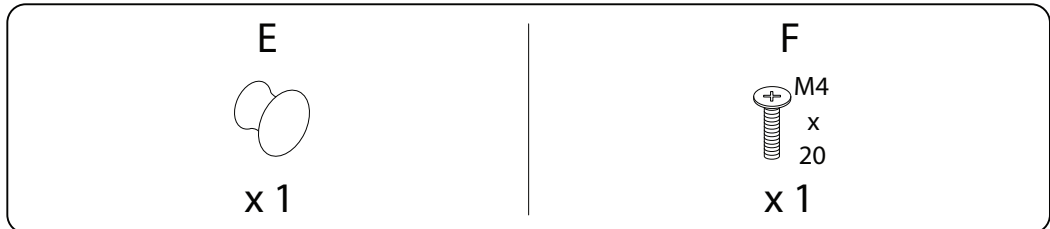
1/4



1



2



!

