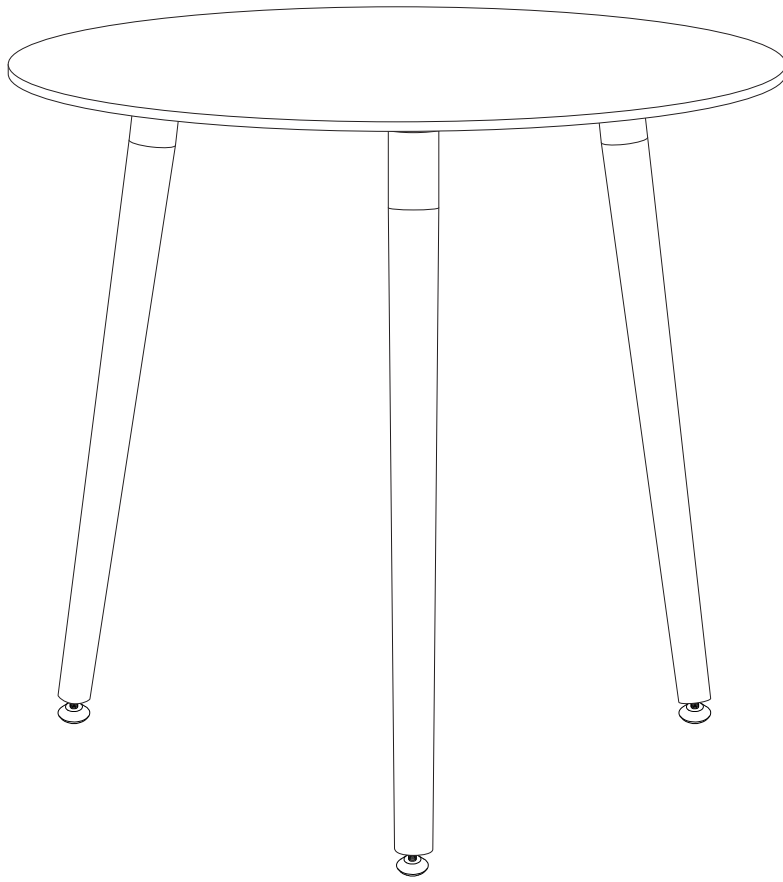


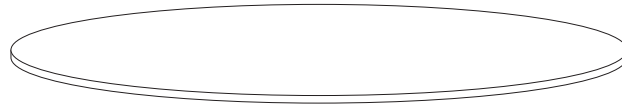
BOMA



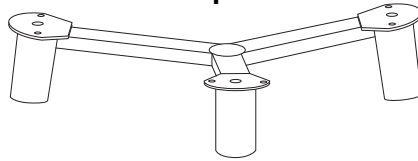


An L-shaped metal bracket is shown inside a circle. To its right is a power drill with a diagonal line through it, indicating it should not be used.	A warning triangle containing an exclamation mark.	A circular icon of a clock face with a curved arrow around it, indicating a time limit.
<p>30'</p>		
A rectangular block is shown on a mat with diagonal lines, inside a circle. To its right is the same block with a diagonal line through it, indicating it should not be used.	A warning triangle containing an exclamation mark.	A simple line drawing of a person.
<p>2</p>		

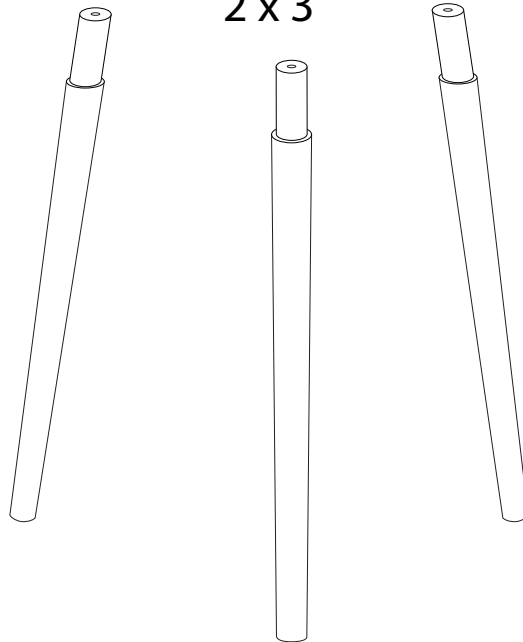
3



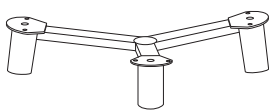
1



2 x 3



1



x 1

2



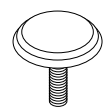
x 3

3



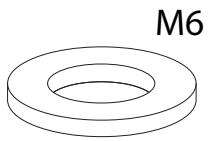
x 1

4



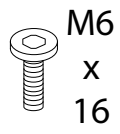
x 3

A



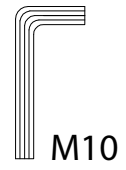
x 6

B



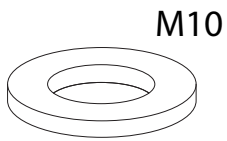
x 6

C



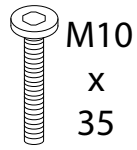
x 1

D



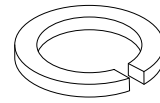
x 3

E



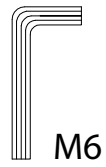
x 3

F



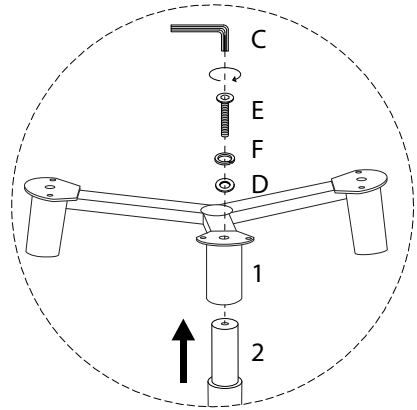
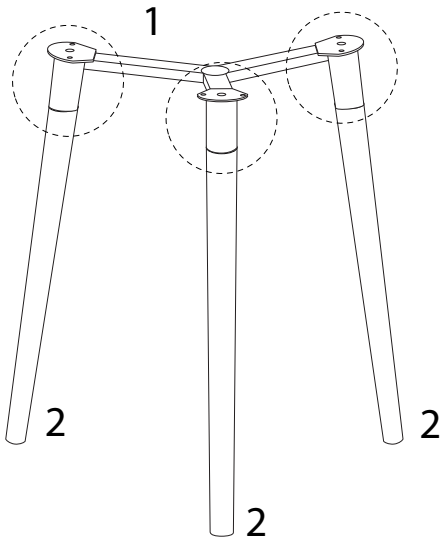
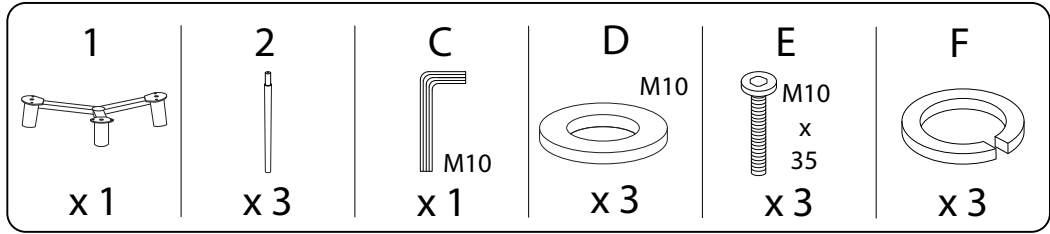
x 3

G

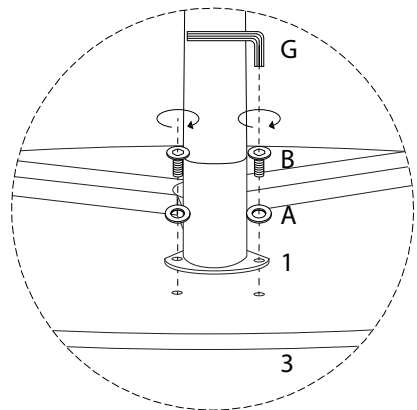
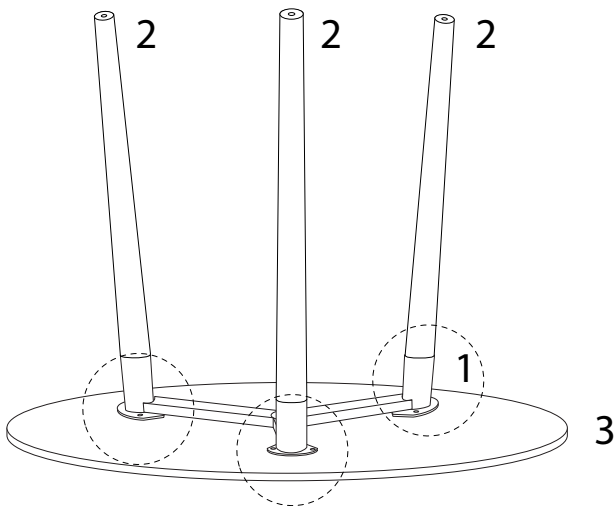
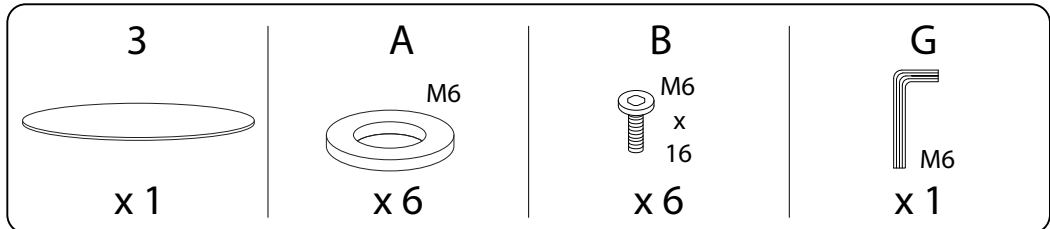


x 1

1



2



3

4



x 3

