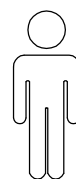
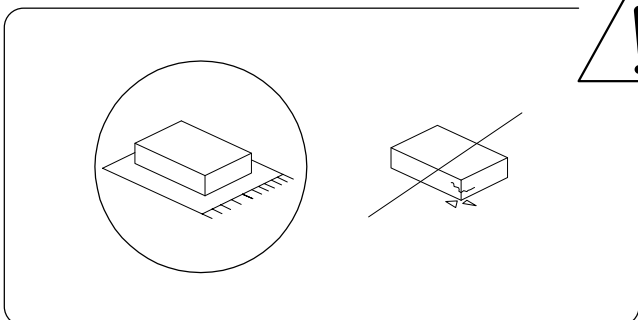
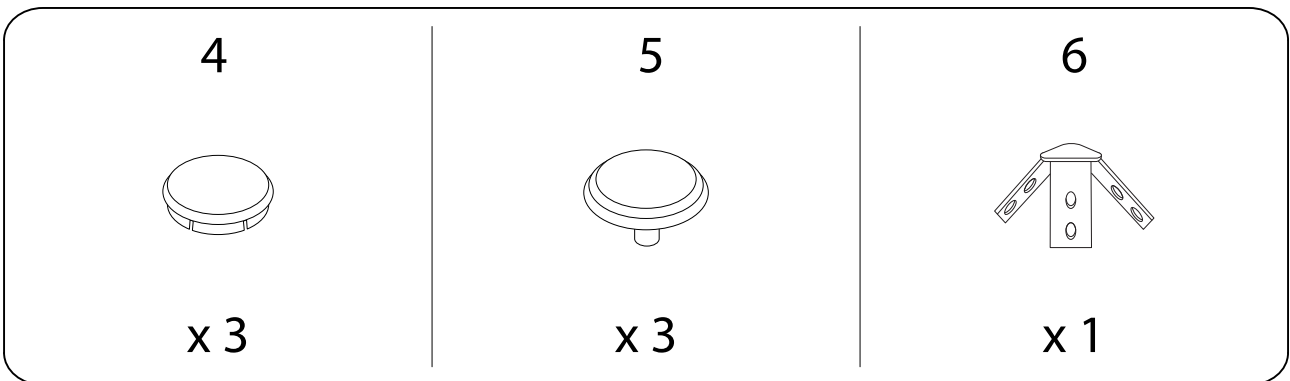
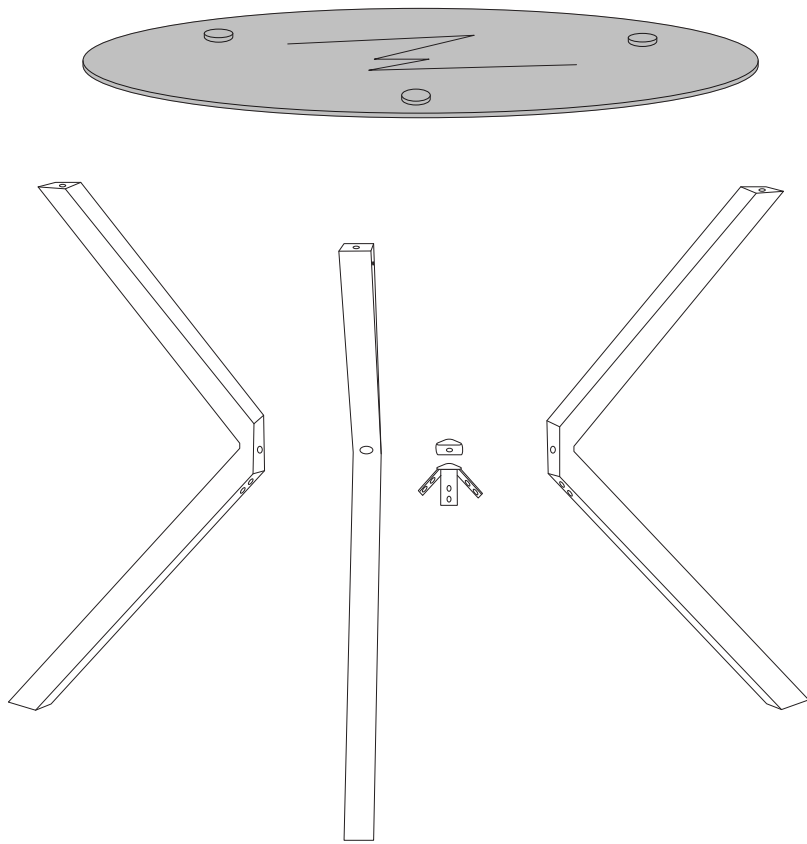
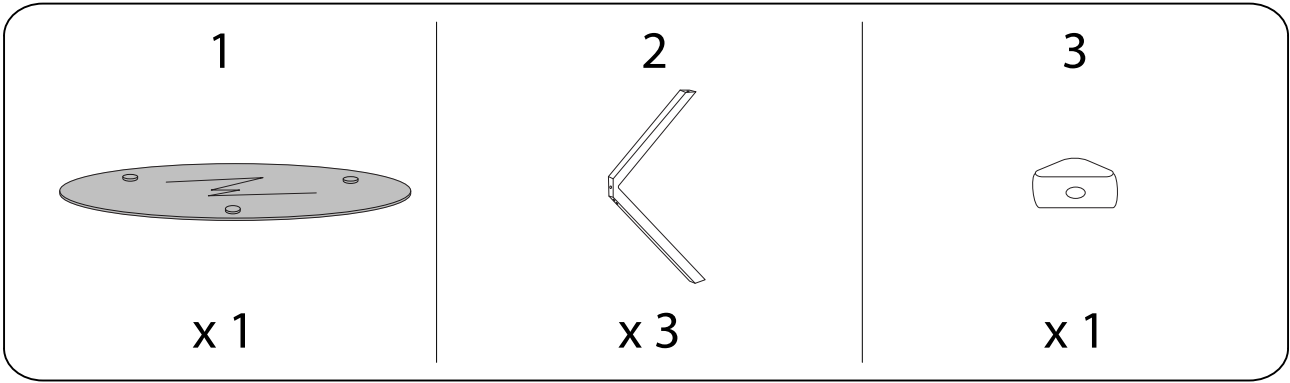


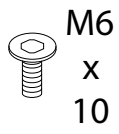
60'



2

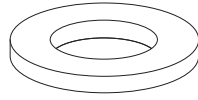


A



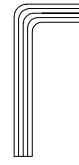
x 6

B



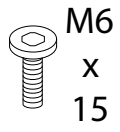
x 6

C



x 1

D



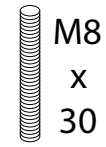
x 3

E



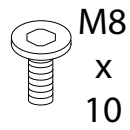
x 3

F



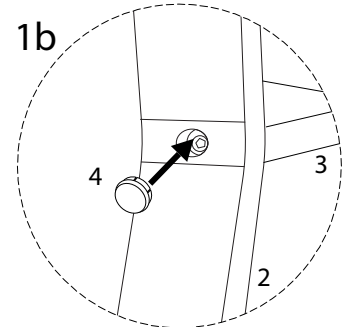
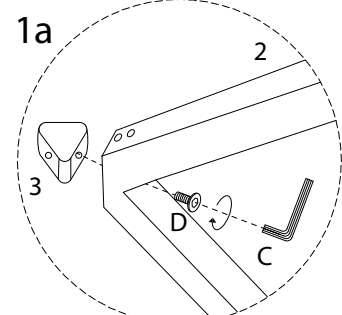
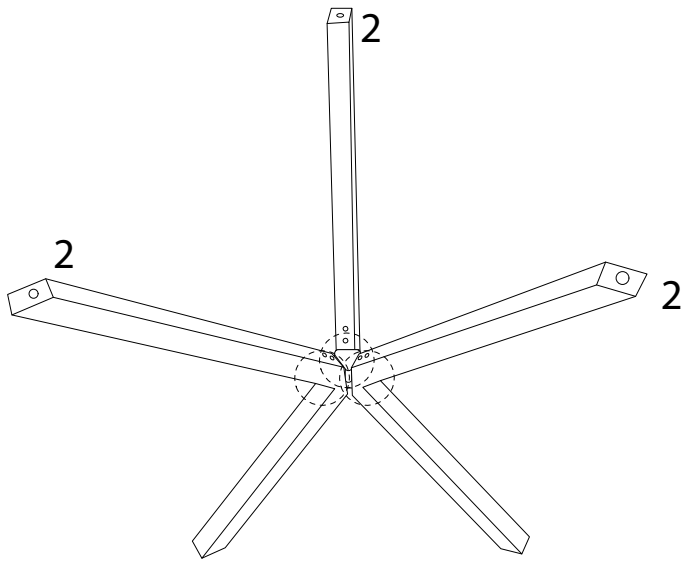
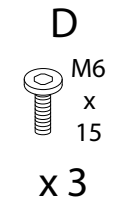
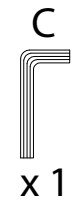
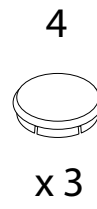
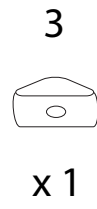
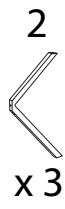
x 3

G

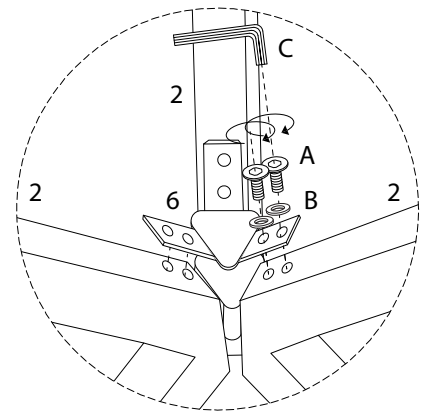
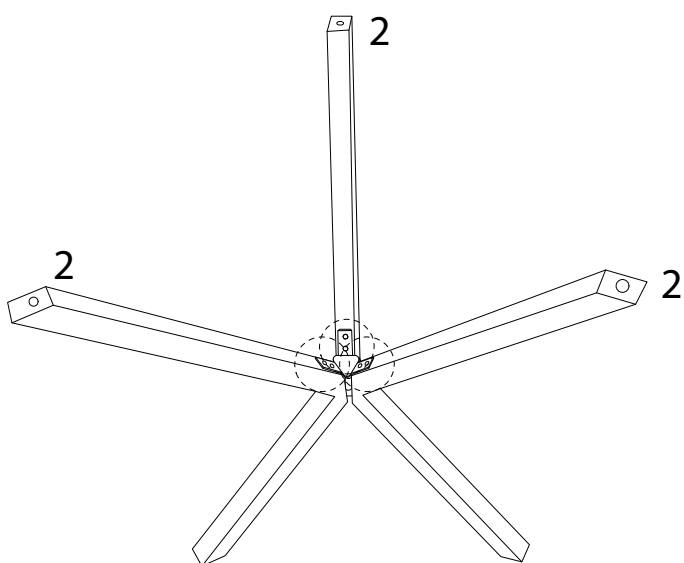
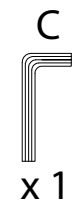
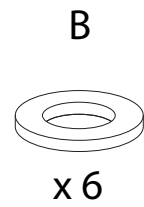
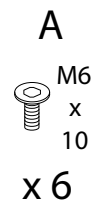
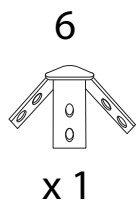


x 3

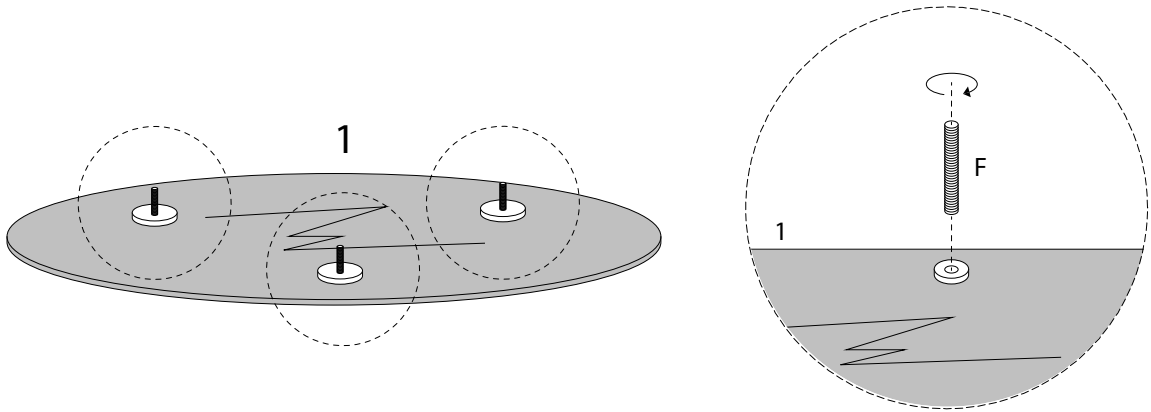
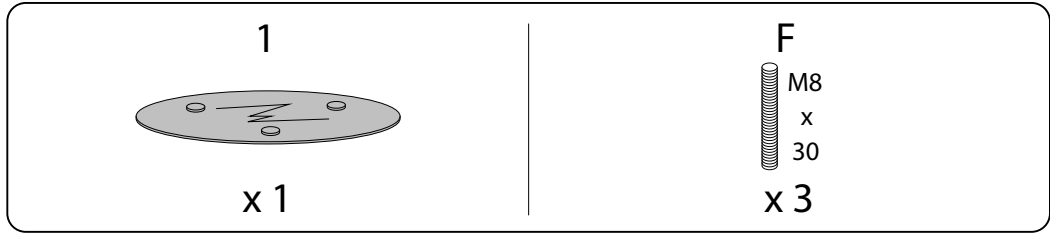
1



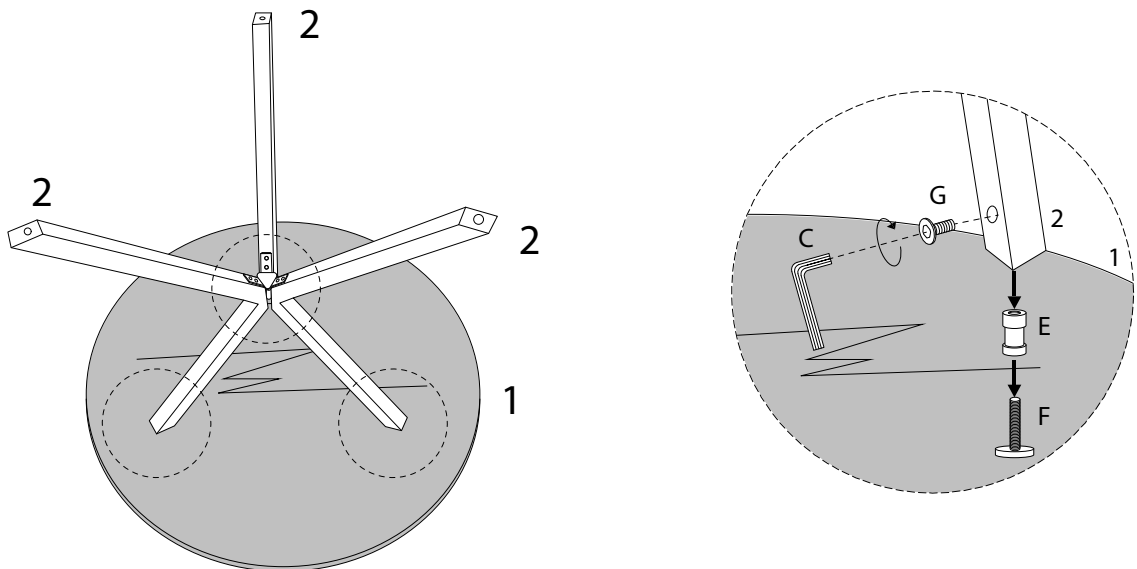
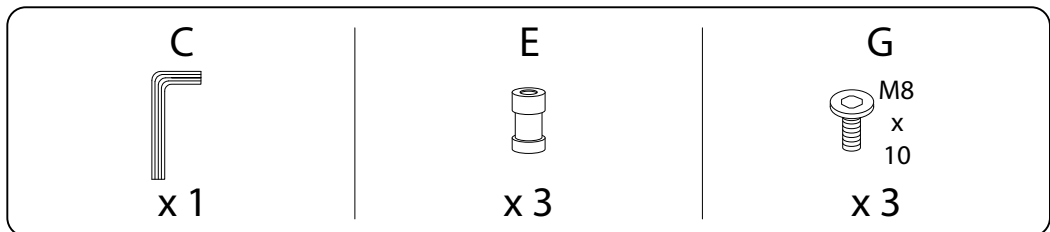
2



3

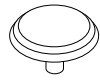


4

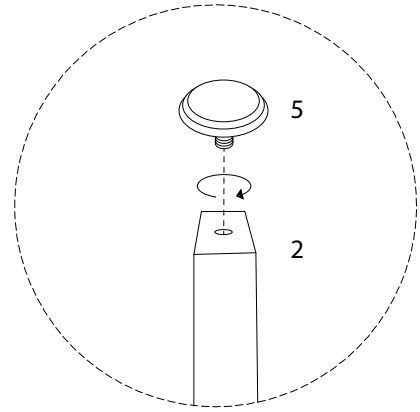
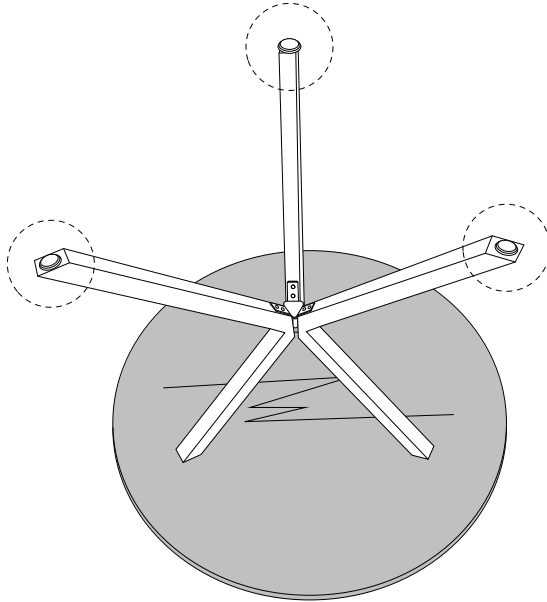


5

5



x 3



!

