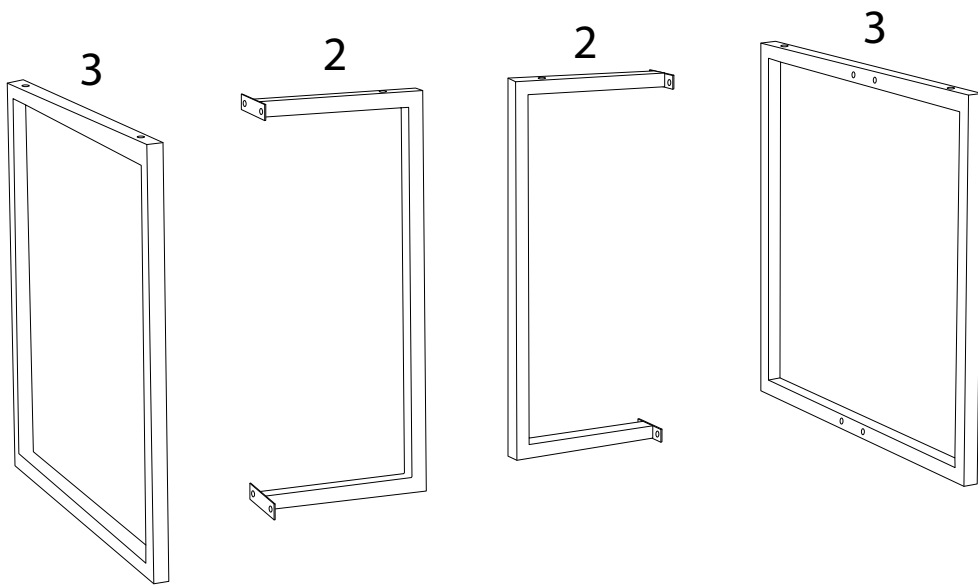
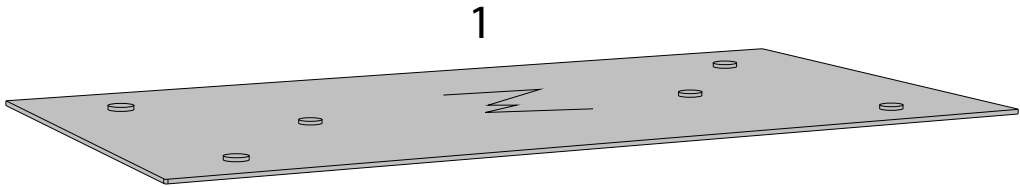


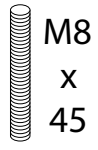
60'

2



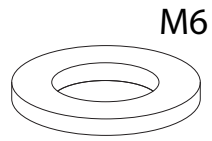
<p>1</p> <p>x 1</p>	<p>2</p> <p>x 2</p>	<p>3</p> <p>x 2</p>	<p>4</p> <p>x 6</p>
---------------------	---------------------	---------------------	---------------------

A



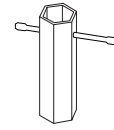
x 6

B



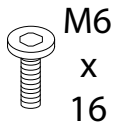
x 8

C



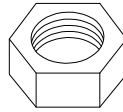
x 1

D



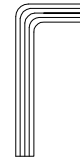
x 8

E



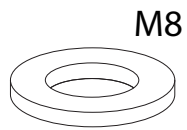
x 6

F



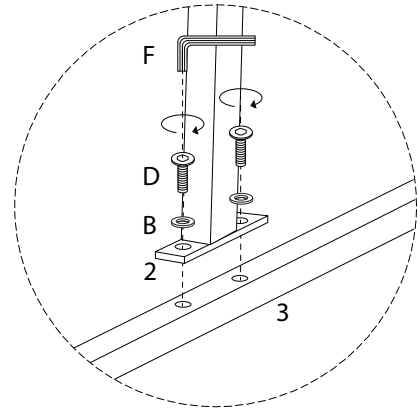
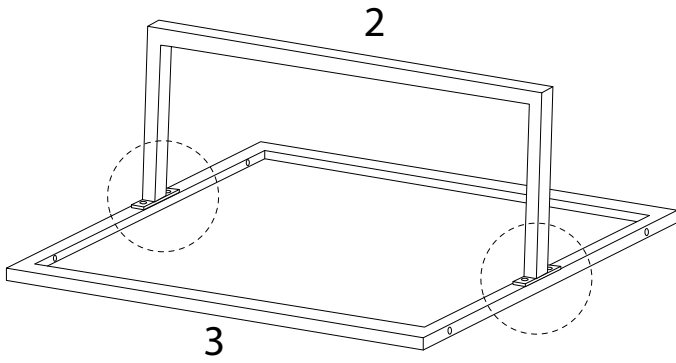
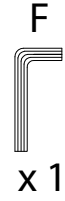
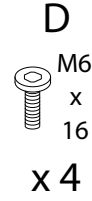
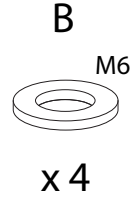
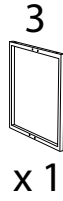
x 1

G



x 6

1 x 2



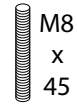
2

1

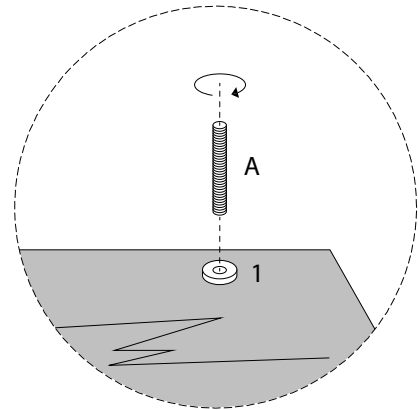
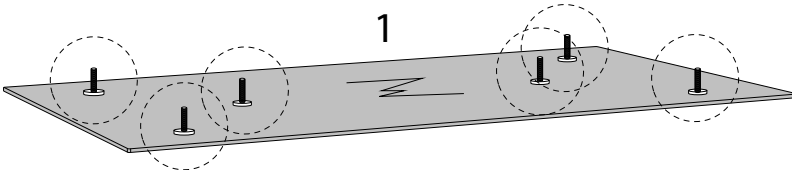


x 1

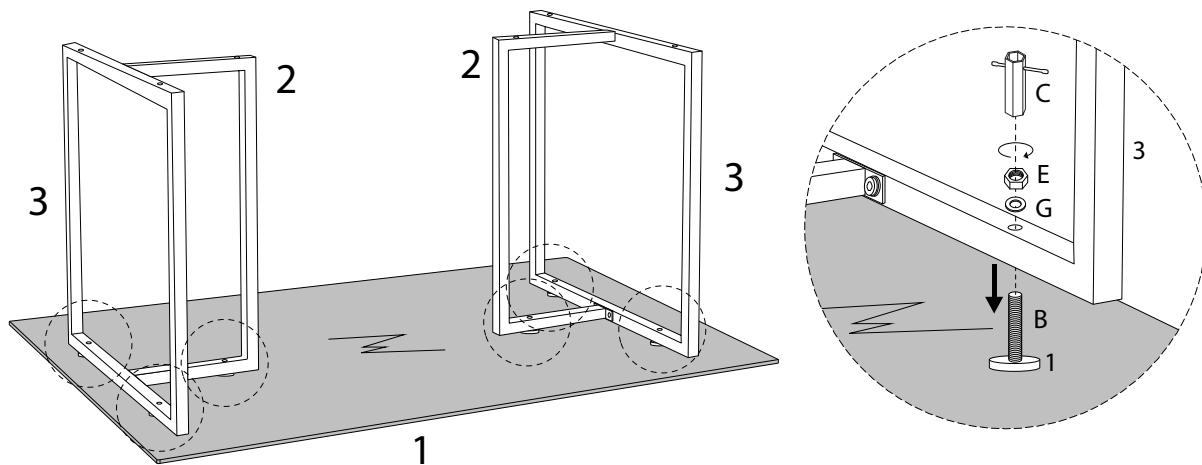
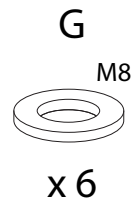
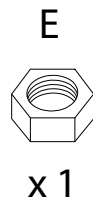
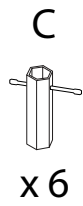
A



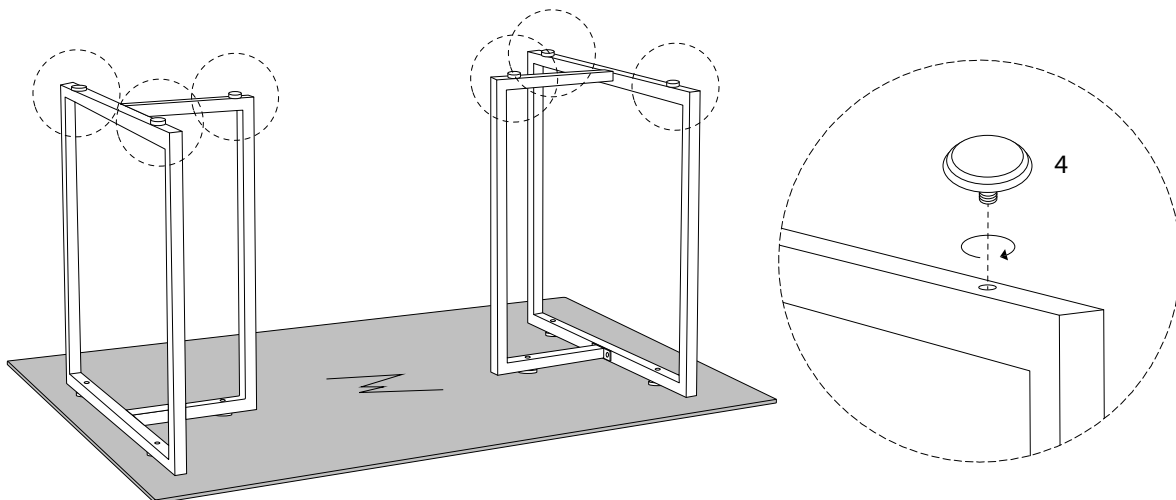
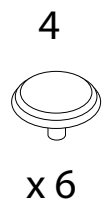
x 6



3



4



!

