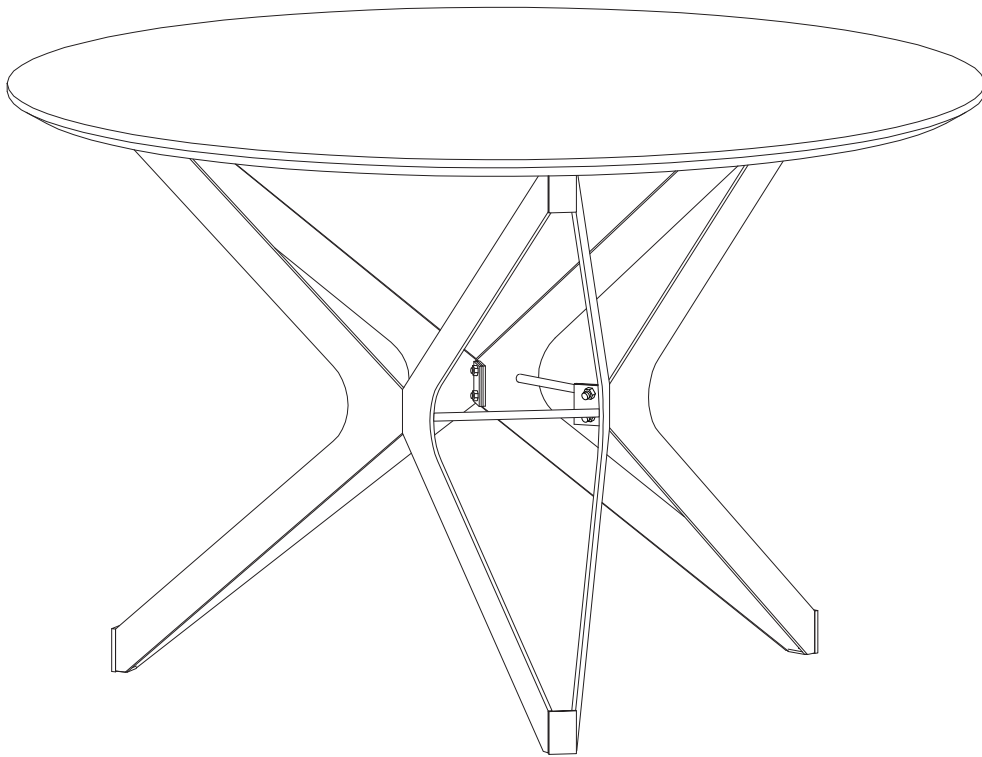
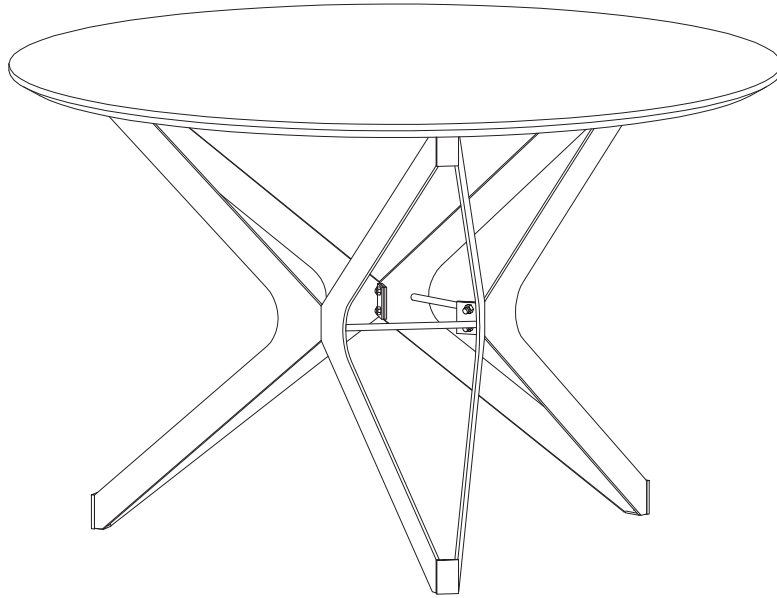



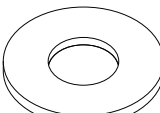
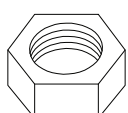
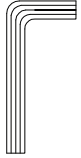
ALURE

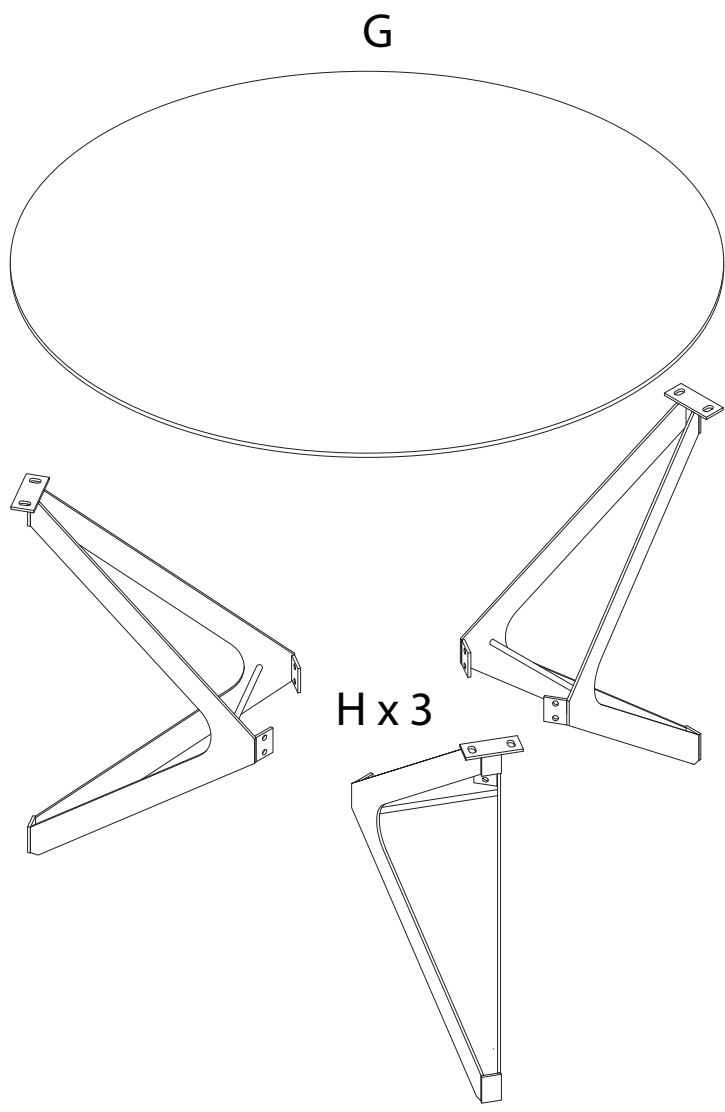


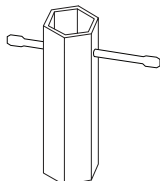
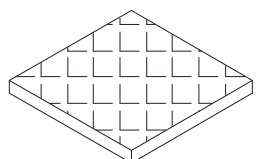
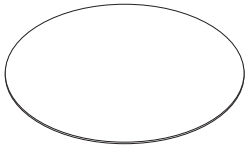
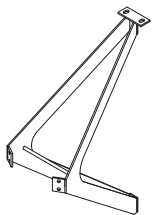


Assembly instructions for step 1/5:


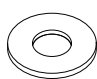
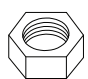
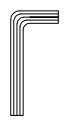
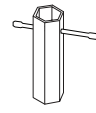

- Tools:** An icon in a circle shows an Allen key and a bolt. A power drill is shown with a diagonal line through it, indicating it should not be used.
- Warning:** A triangle with an exclamation mark.
- Time:** A clock icon with the text "20'" below it, indicating an estimated assembly time of 20 minutes.
- Personnel:** An icon of a person with the number "2" below it, indicating that two people are required for assembly.
- Diagram:** An icon in a circle shows a rectangular block being placed on a textured surface. A second diagram shows the block being secured with a bolt and nut, with a diagonal line through it.

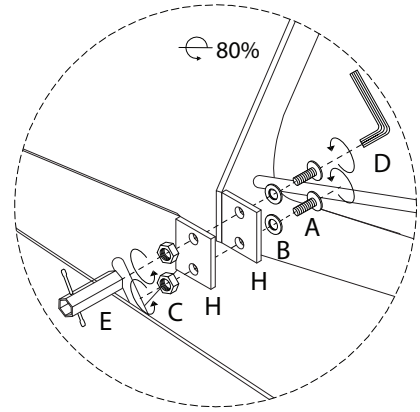
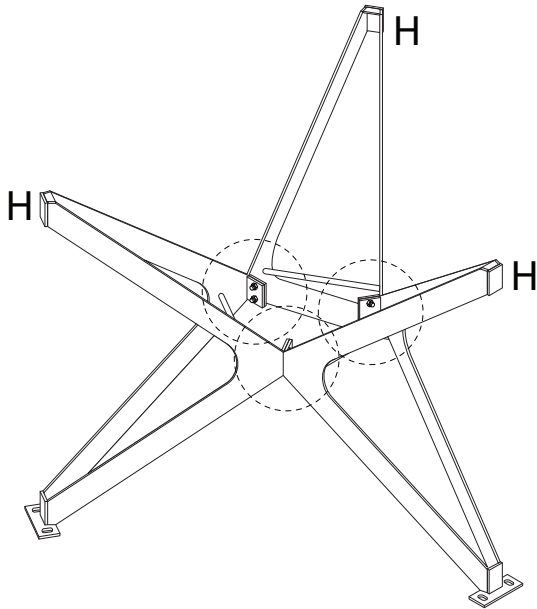
<p>A</p>  <p>M8 x 20</p> <p>x 12</p>	<p>B</p>  <p>x 12</p>	<p>C</p>  <p>x 6</p>	<p>D</p>  <p>x 1</p>
--	---	---	--



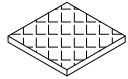
<p>E</p>  <p>x 1</p>	<p>F</p>  <p>x 3</p>	<p>G</p>  <p>x 1</p>	<p>H</p>  <p>x 3</p>
--	--	---	--

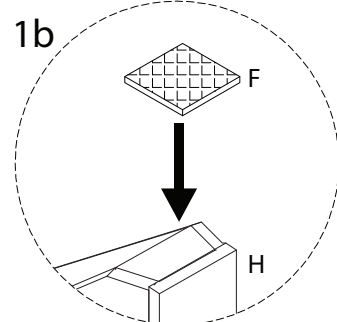
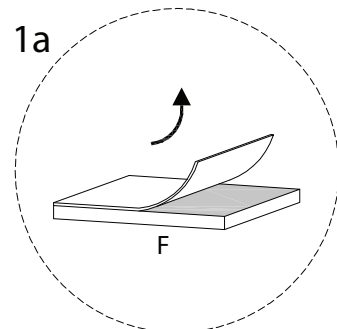
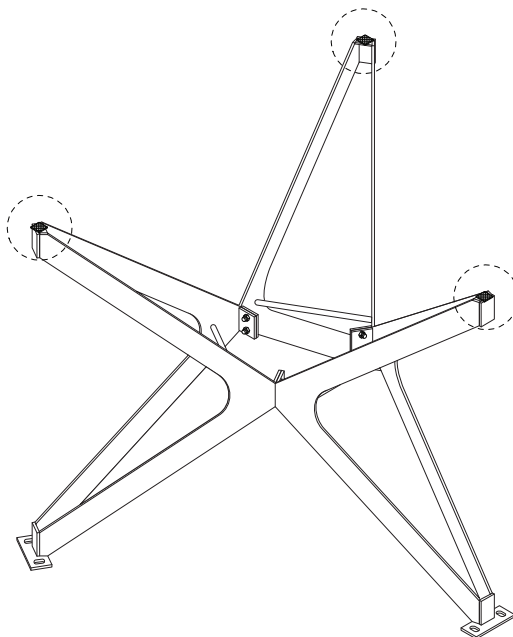
1

A  M8 x 20 x 6	B  x 6	C  x 6	D  x 1	E  x 1	H  x 3
---	--	--	---	--	--

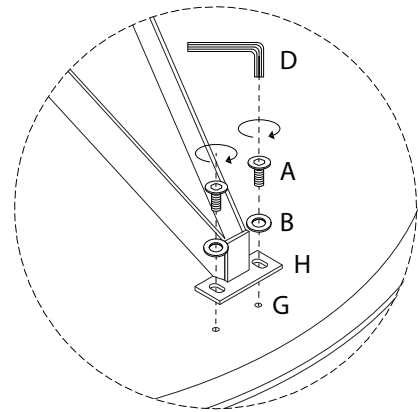
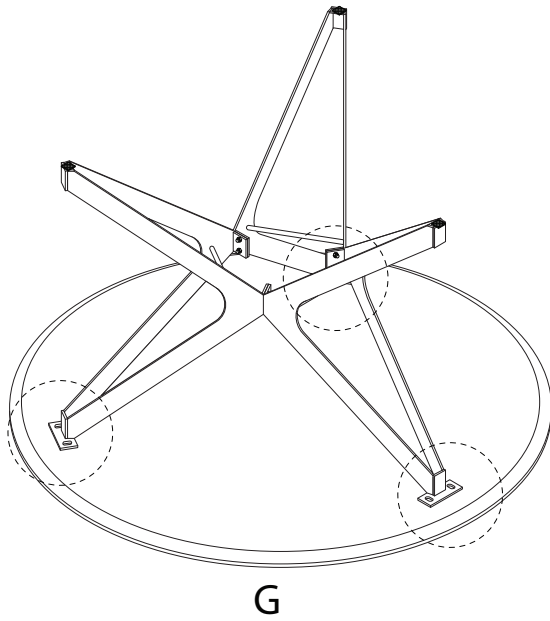
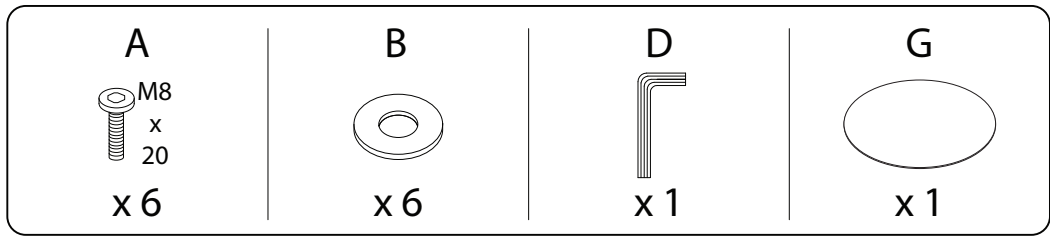


2

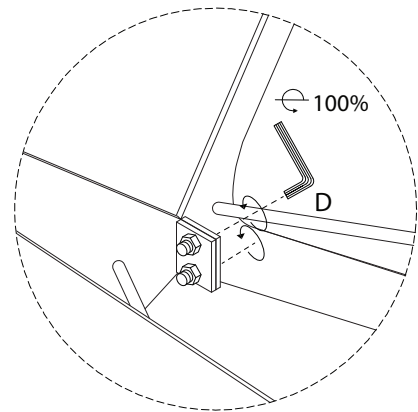
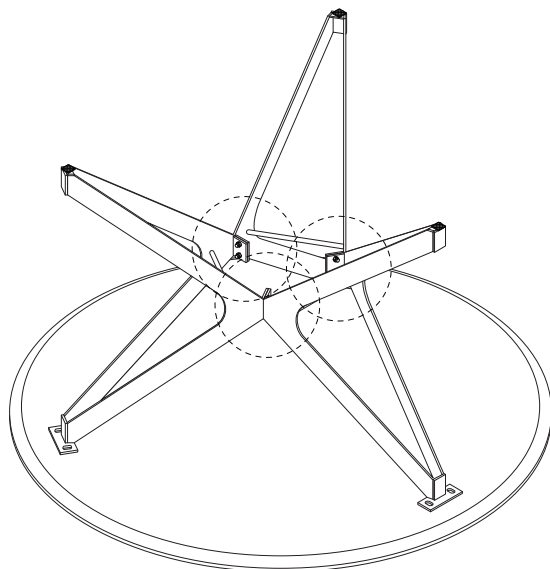
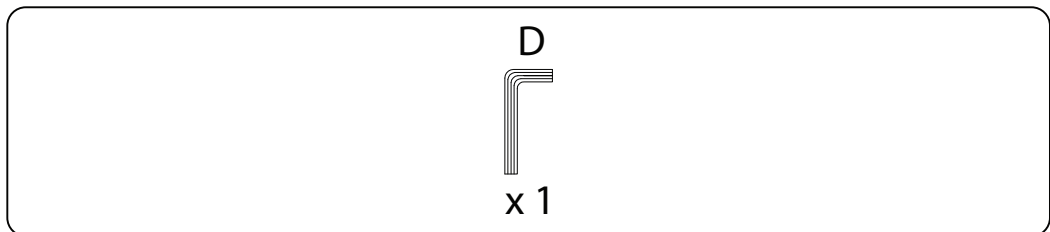
F  x 3
--



3



4



!

