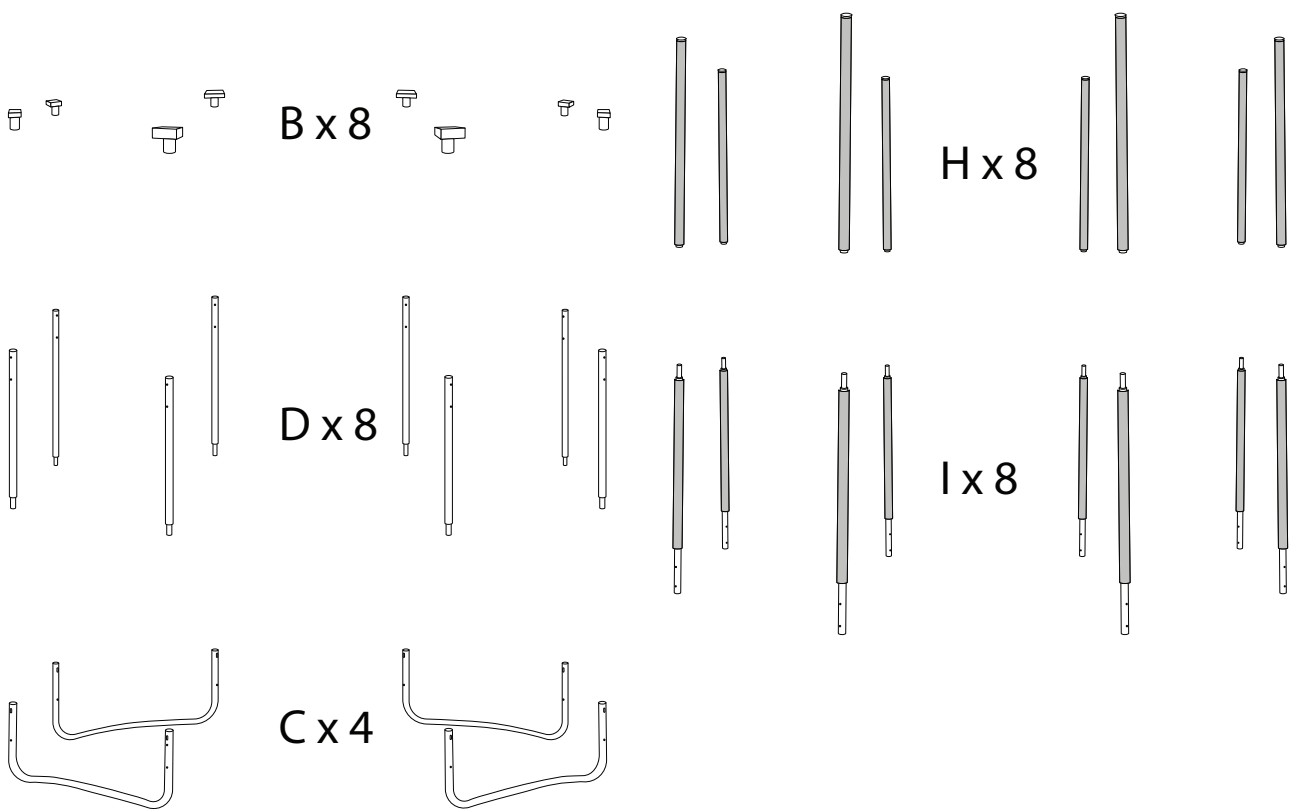
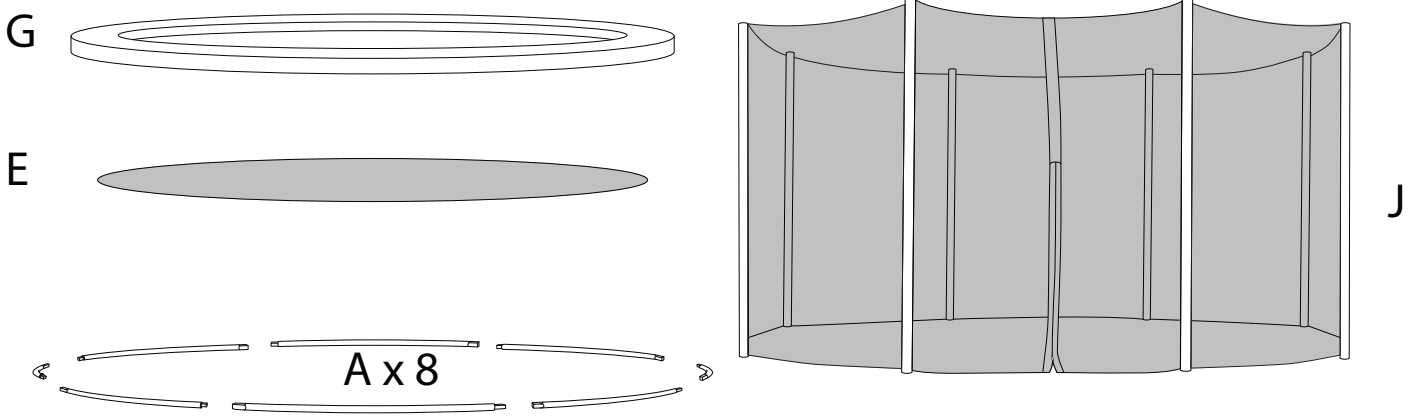


Diagram illustrating safety instructions for trampoline assembly:

- Top Section:** Shows a wrench and a power drill with a diagonal line through it, indicating that a power drill should not be used. To the right is a warning triangle with an exclamation mark and a clock icon with the text "90'", indicating a 90-minute assembly time.
- Bottom Section:** Shows a rectangular mat being placed on a textured surface and a diagram of a mat being secured with a screw. To the right is a warning triangle with an exclamation mark and a person icon with the text "2", indicating that two people are required for assembly.

A



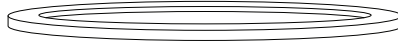
A	B	C	D	E
x 8	x 8	x 4	x 8	x 1

F



x 72

G



x 1

H



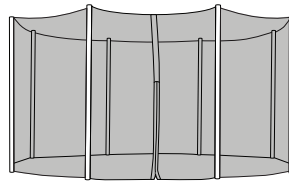
x 8

I



x 8

J



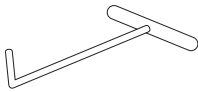
x 1

K



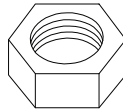
x 1

L



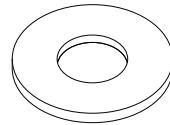
x 1

M



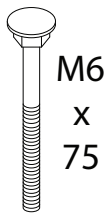
x 24

N



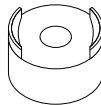
x 24

O



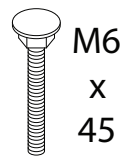
x 16

P



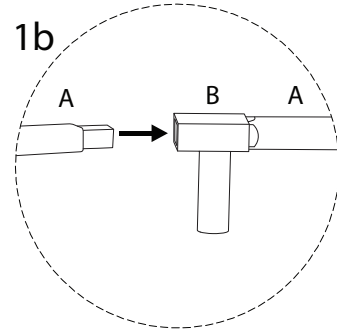
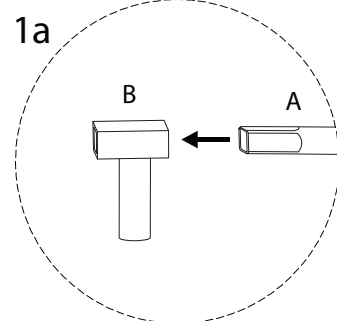
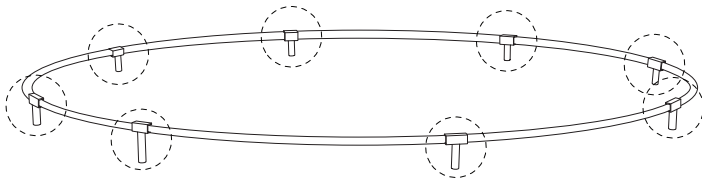
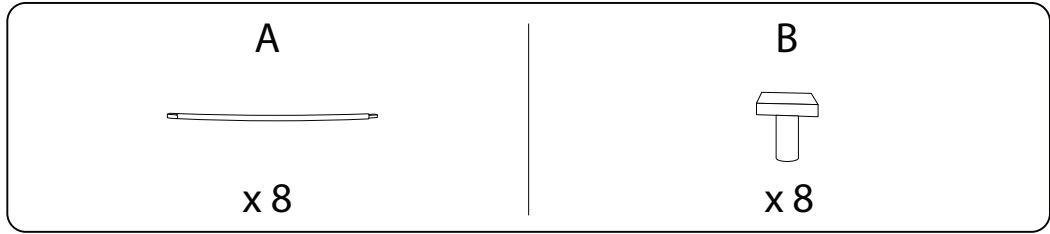
x 16

R

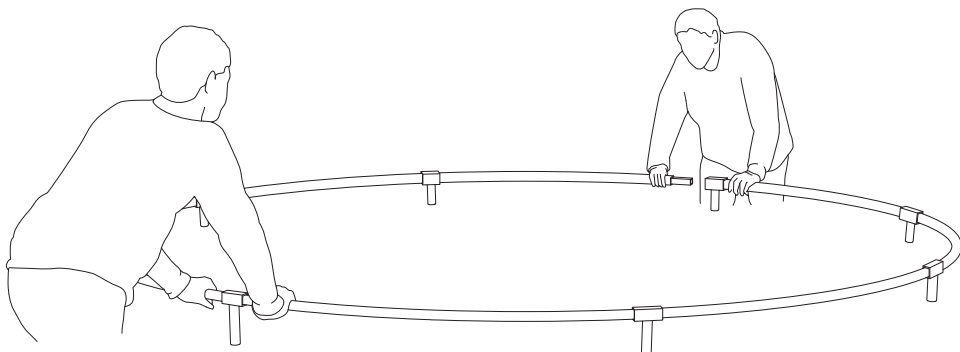


x 8




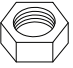
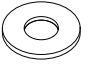
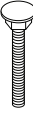
1

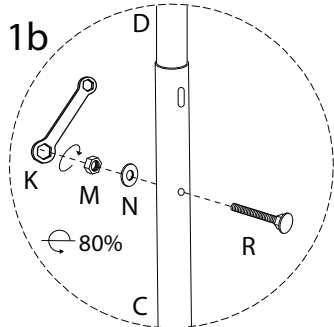
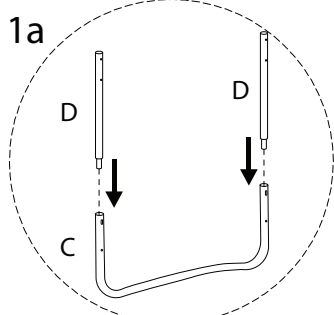
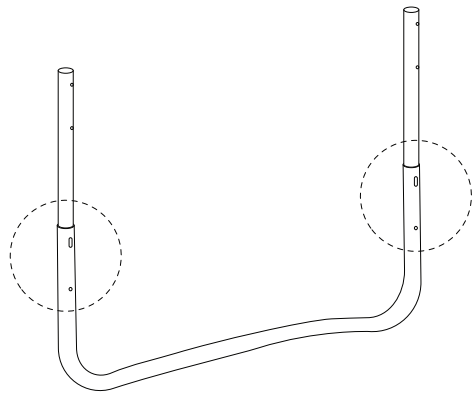


!

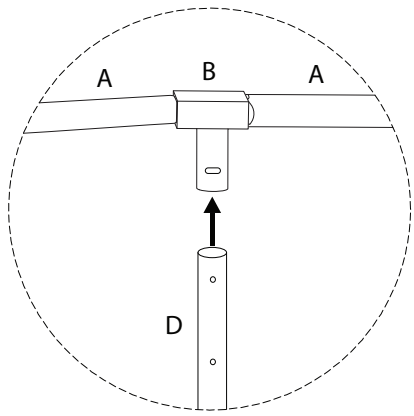
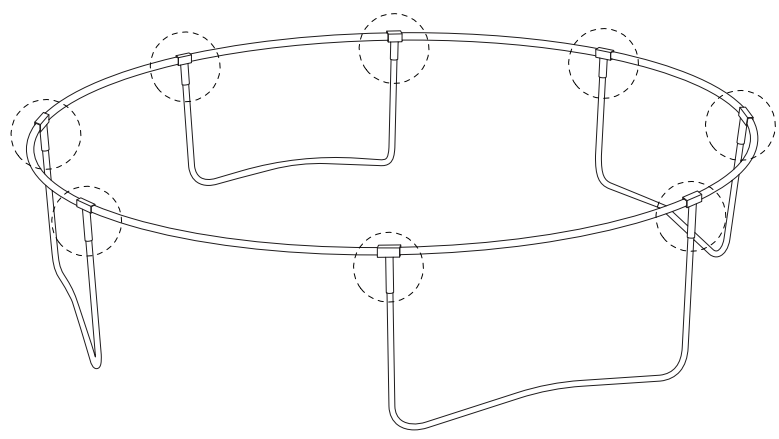


2 x 4

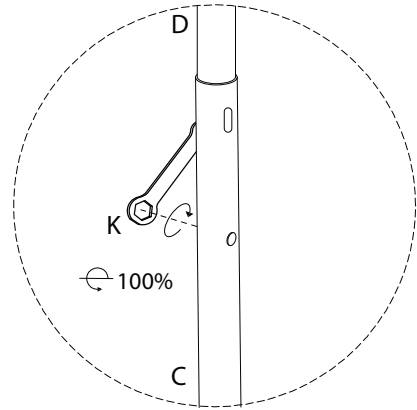
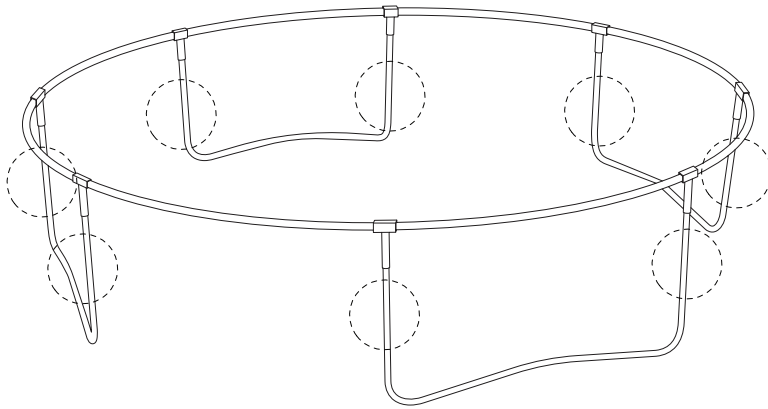
C  x 1	D  x 2	K  x 1	M  x 2	N  x 2	R M6 x 45  x 2
--	--	--	---	--	---



3



4



5

E



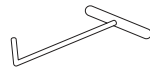
x1

F

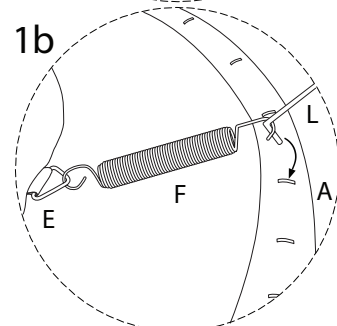
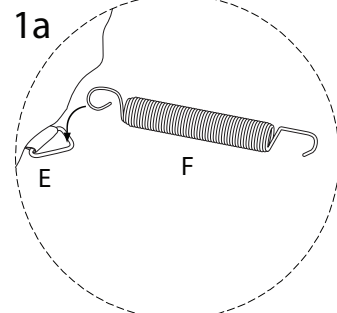
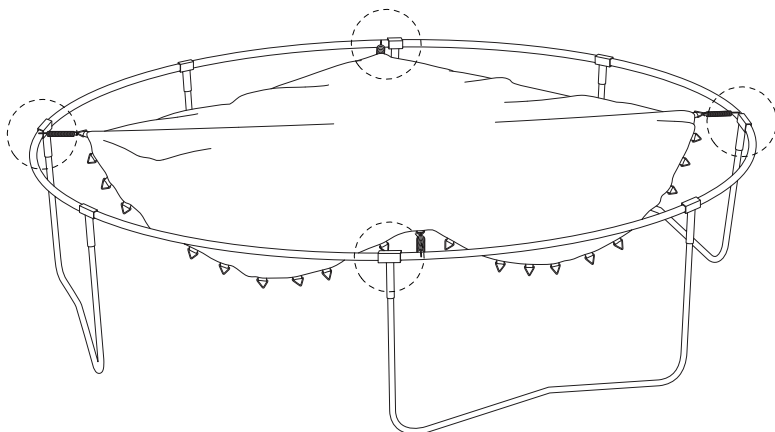


x4

L



x1



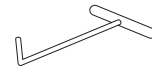
6

F

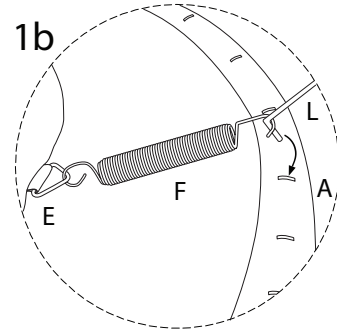
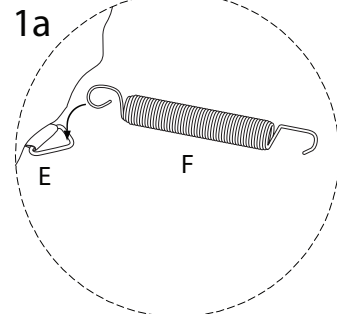
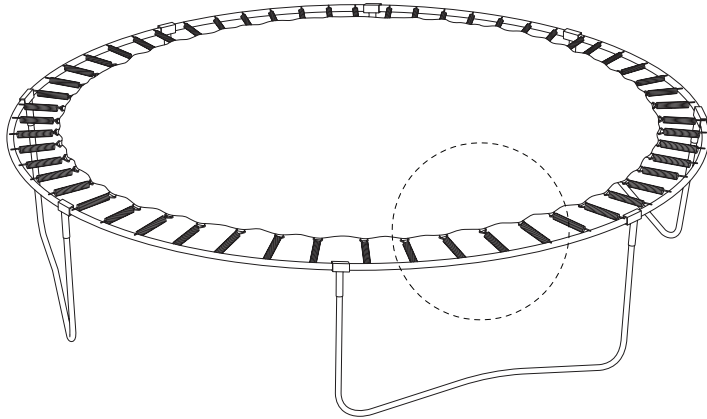


x 68

L



x 1

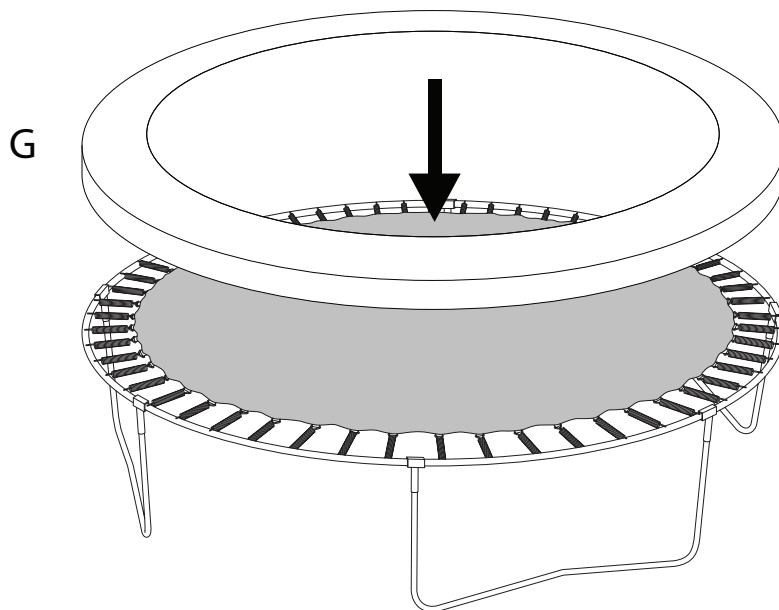


7

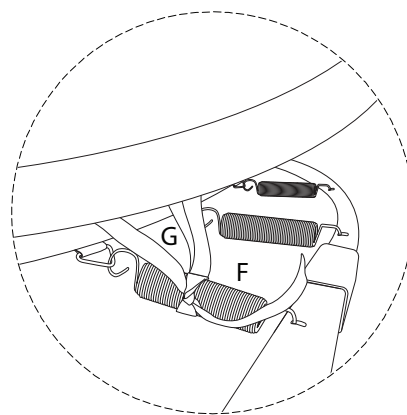
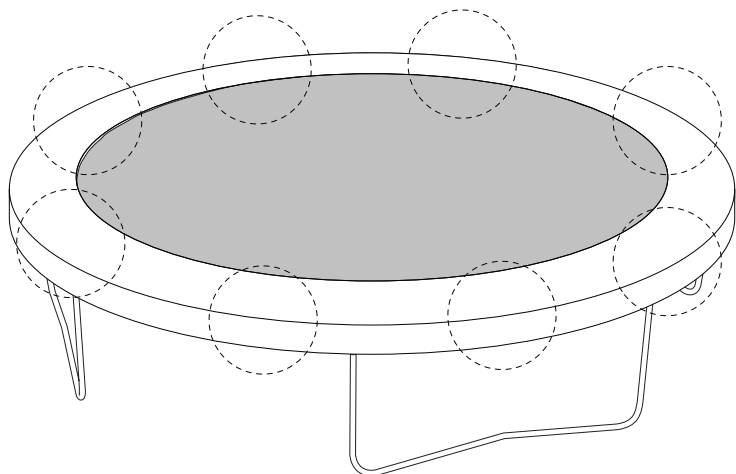
G



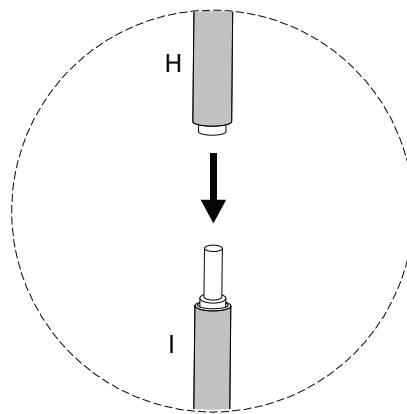
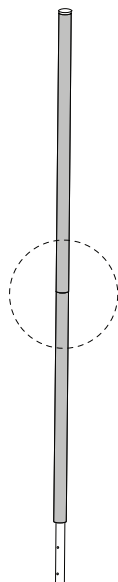
x 1



8

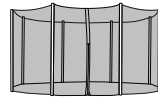


9 x 8

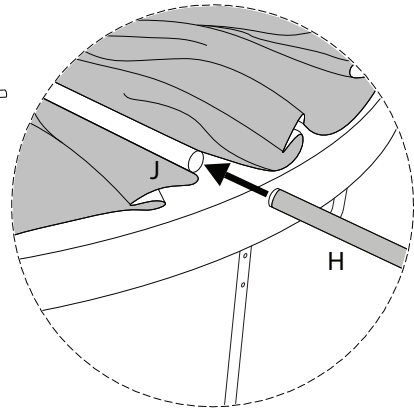
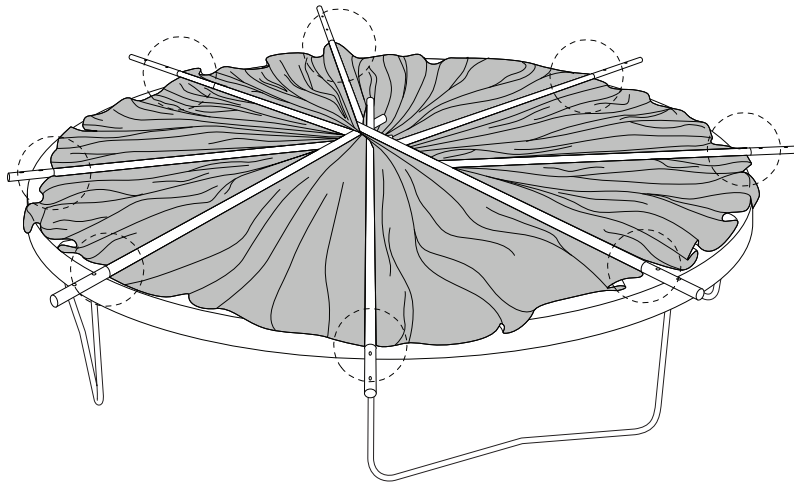


10

J



x 1



11

K



x 1

M



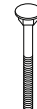
x 16

N



x 16

O



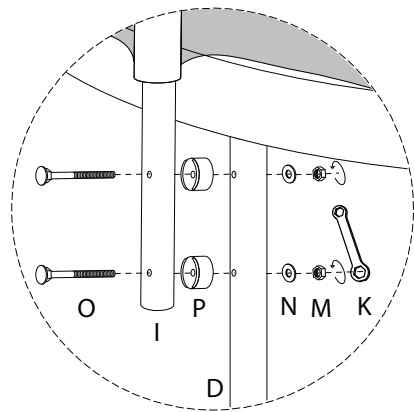
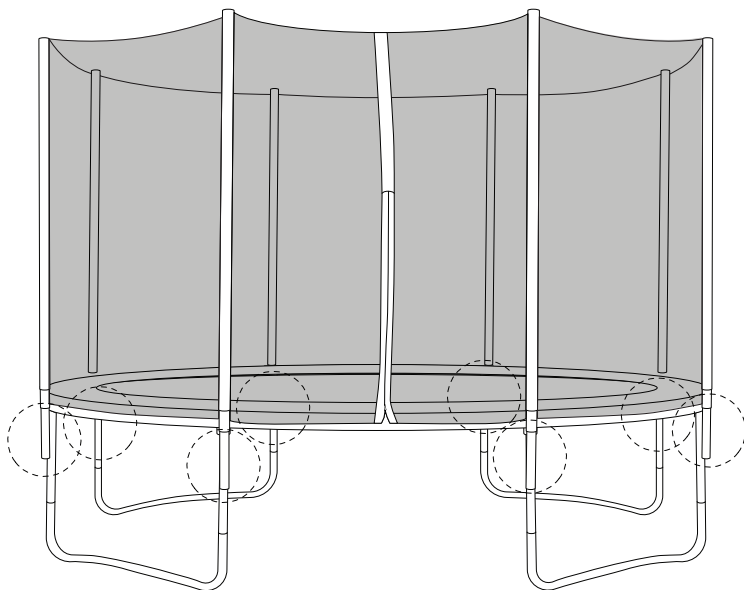
M6
x
75

x 16

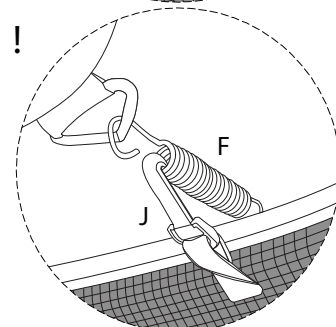
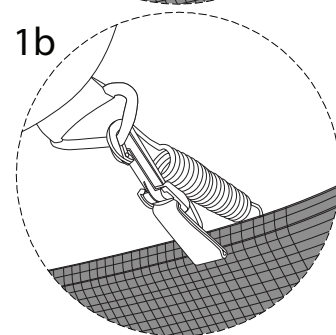
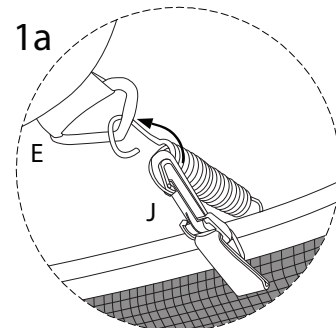
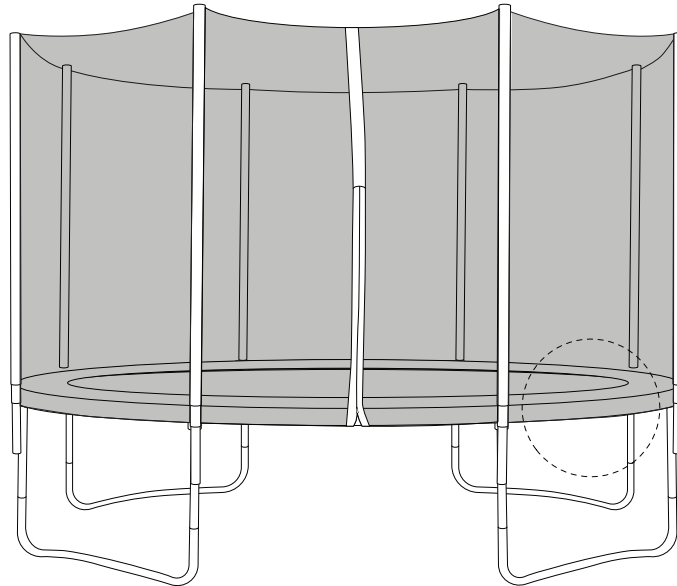
P



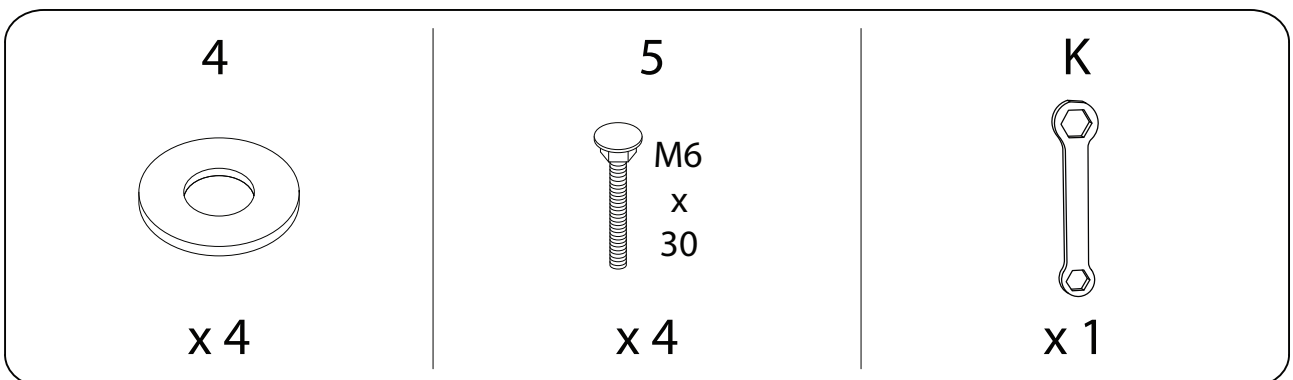
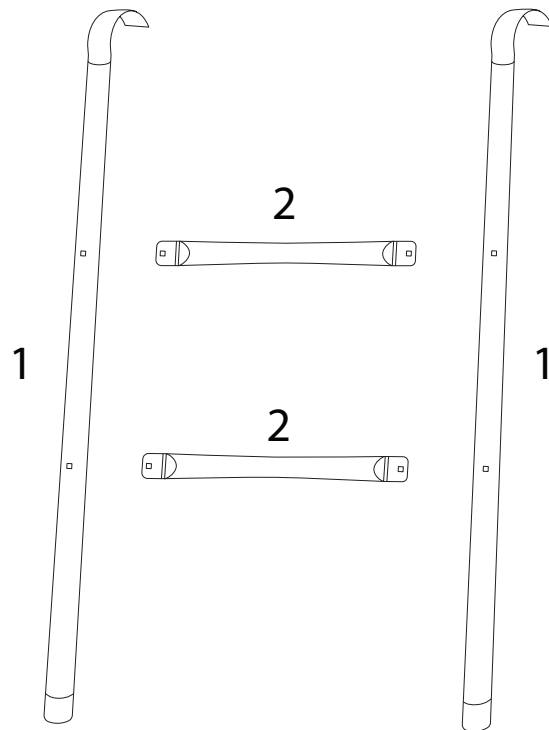
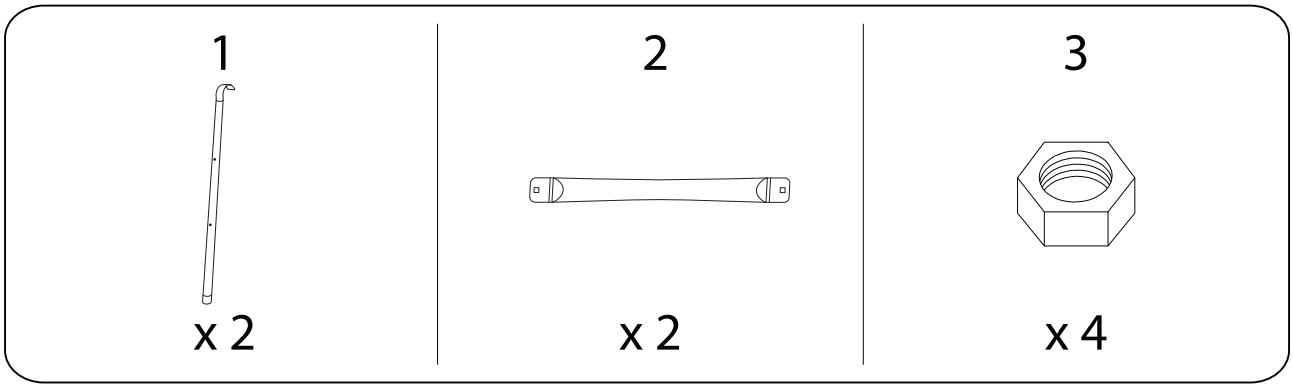
x 16






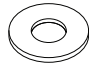
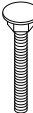

12

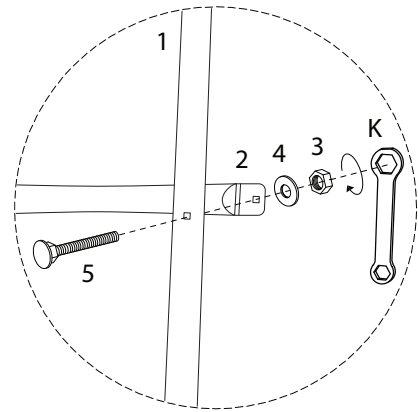
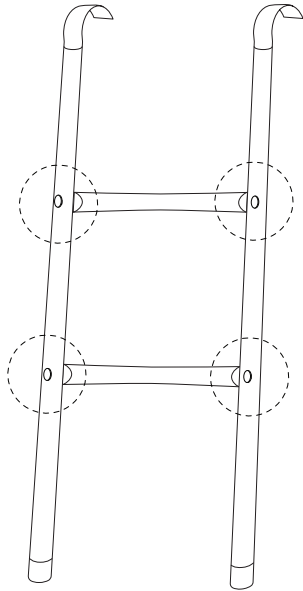


B



1

<p>1</p>  <p>x 2</p>	<p>2</p>  <p>x 2</p>	<p>3</p>  <p>x 4</p>	<p>4</p>  <p>x 4</p>	<p>5</p>  <p>M6 x 30 x 4</p>	<p>K</p>  <p>x 1</p>
---	---	---	--	---	---



!

