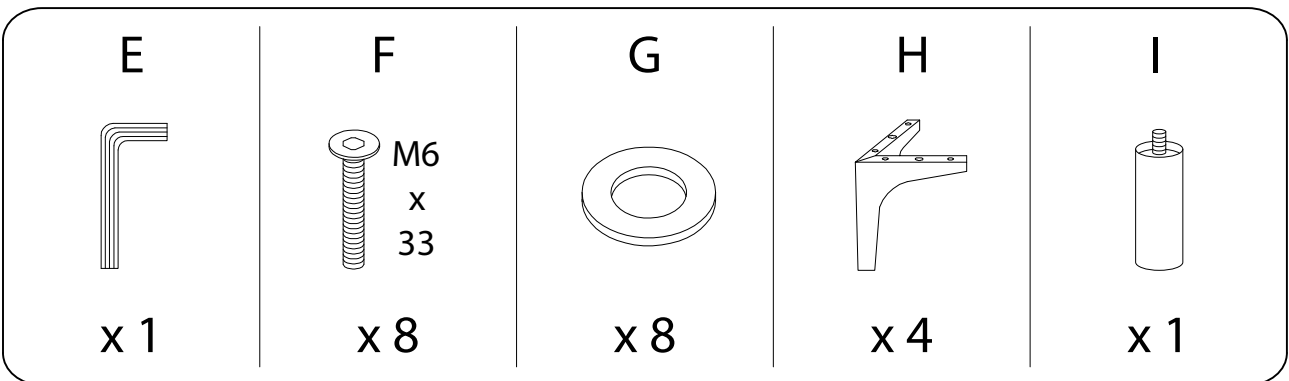
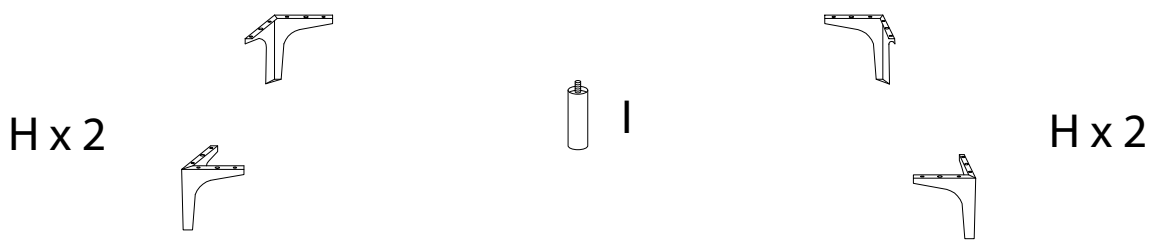
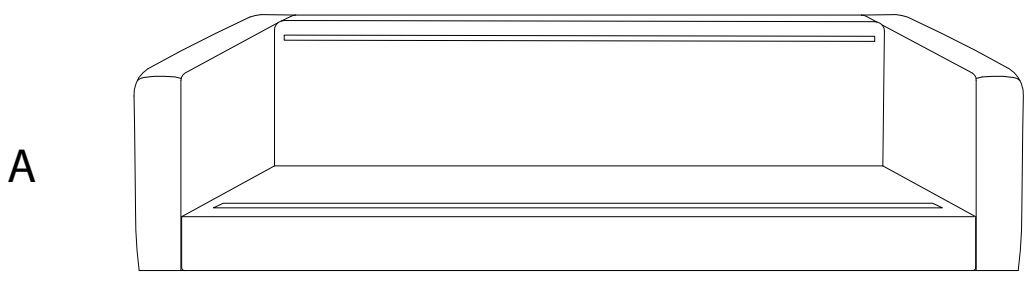
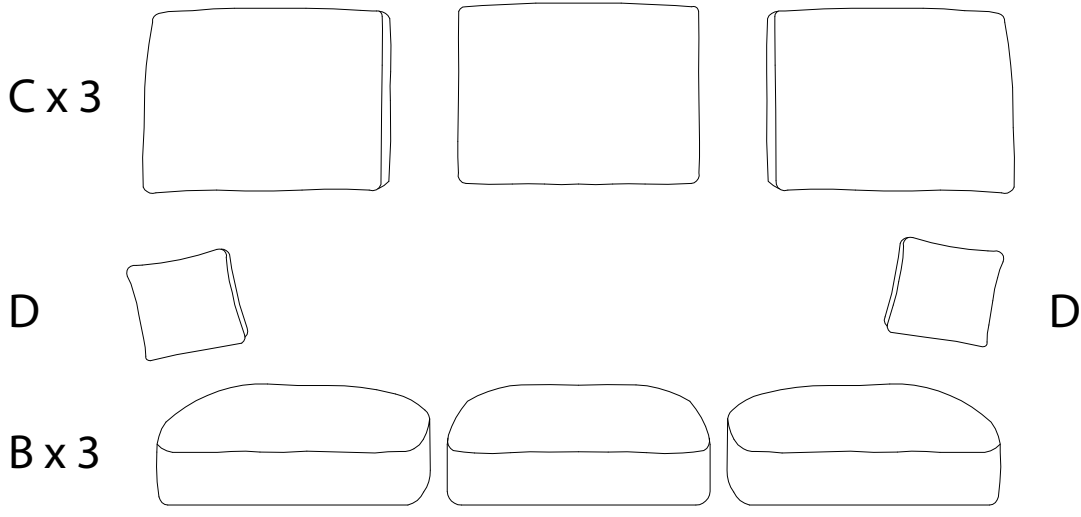
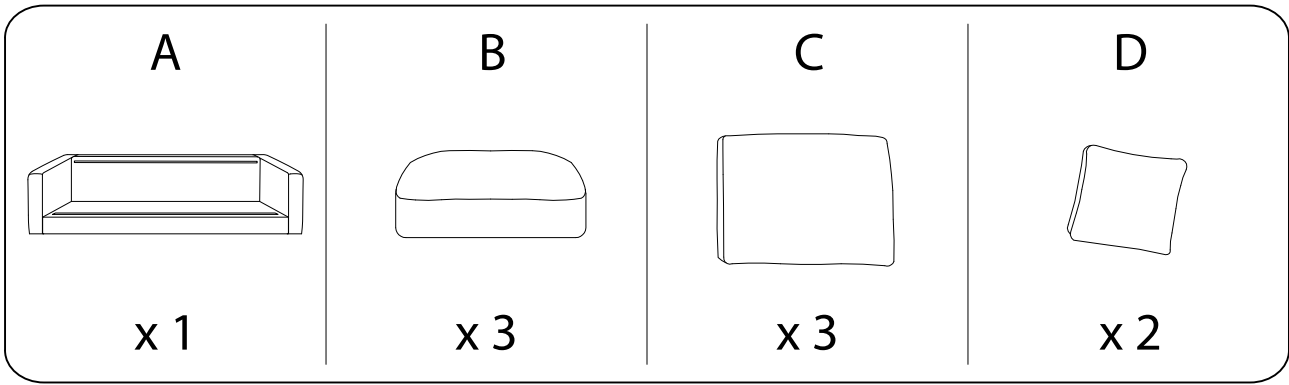
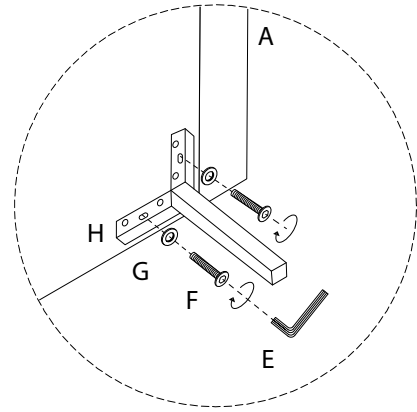
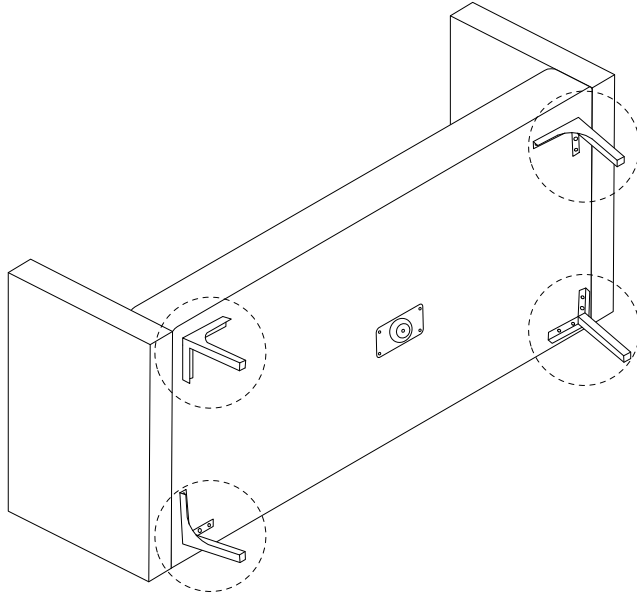
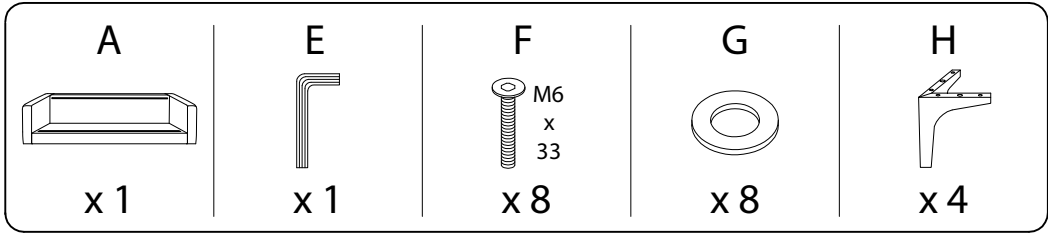


Diagram illustrating assembly instructions and safety warnings:

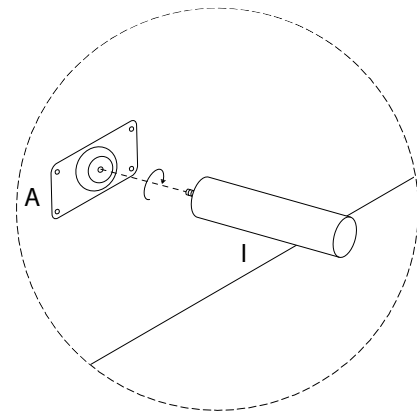
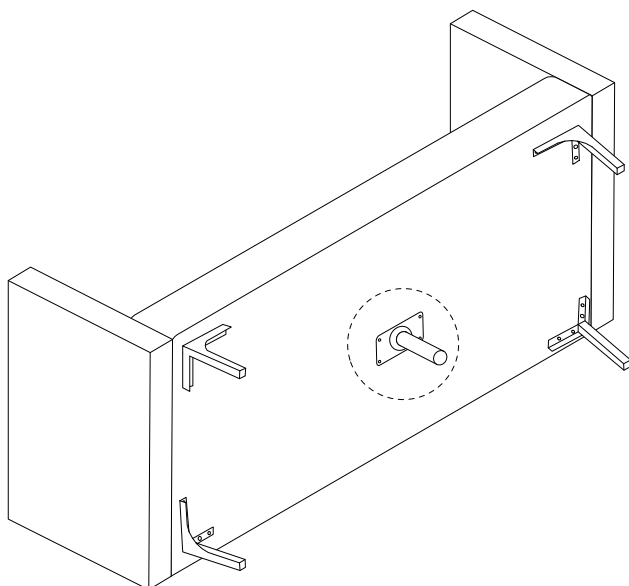
- Warning 1:** A warning triangle with an exclamation mark is shown next to a box containing an L-shaped bracket and a power drill with a slash through it, indicating that a power drill should not be used for this step.
- Warning 2:** A second warning triangle with an exclamation mark is shown next to a box containing a rectangular block on a textured surface and a diagram of a block being lifted, indicating a lifting or placement instruction.
- Time:** A clock icon is shown next to the text "15'", indicating a 15-minute assembly time.
- Person:** A stick figure icon is shown next to the number "1", indicating that one person is required for assembly.



1



2



3

