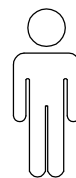
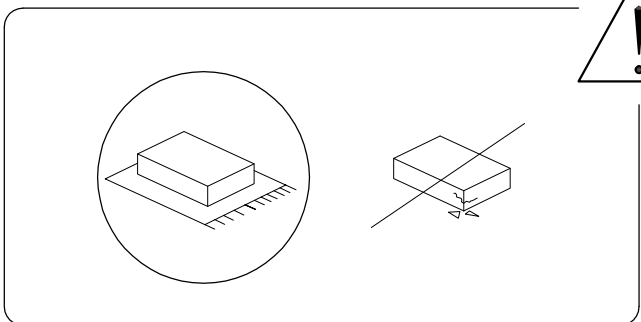
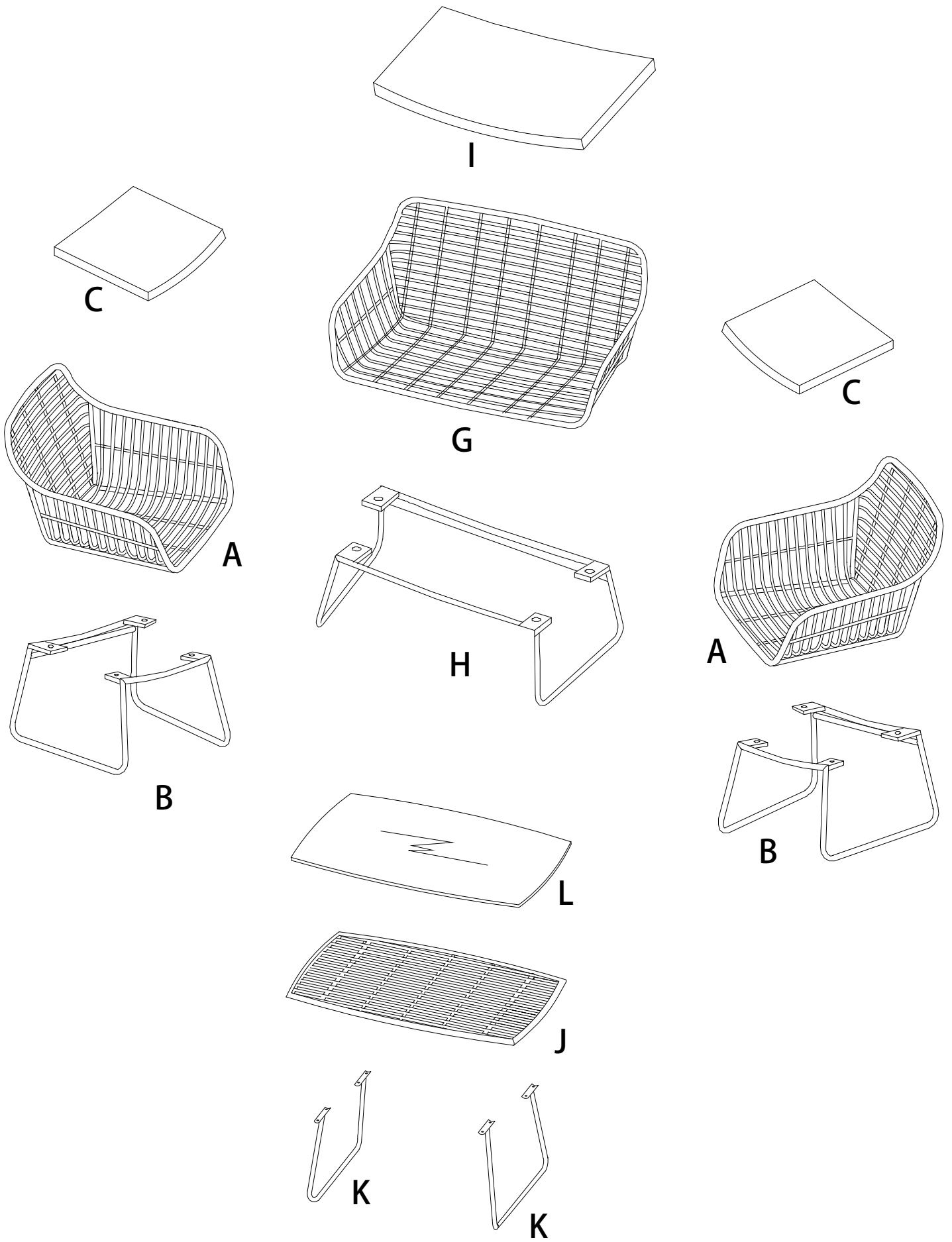


30'

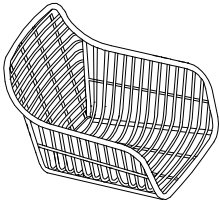


1

1/6

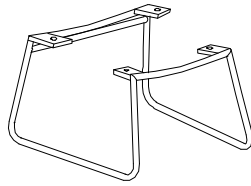


A



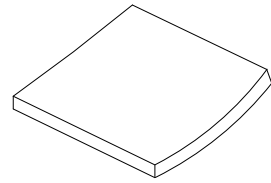
x 2

B



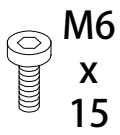
x 2

C



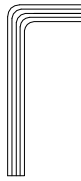
x 2

D



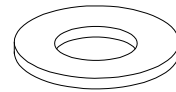
x 20

E



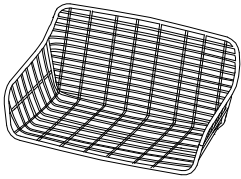
x 1

F



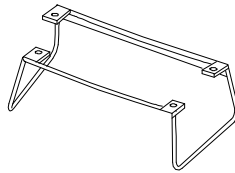
x 20

G



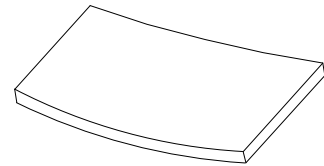
x 1

H



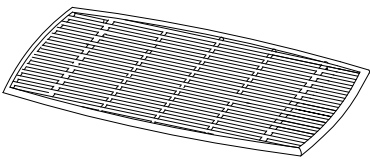
x 1

I



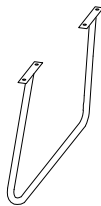
x 1

J



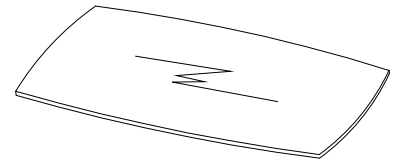
x 1

K



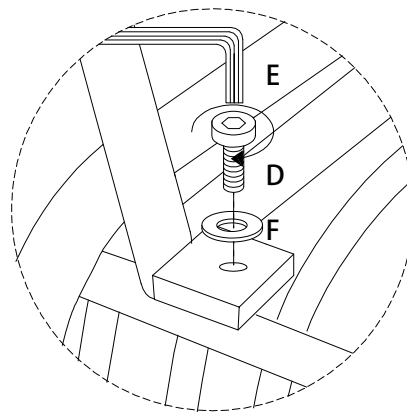
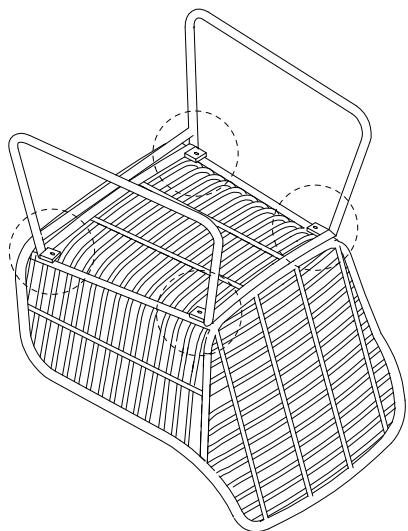
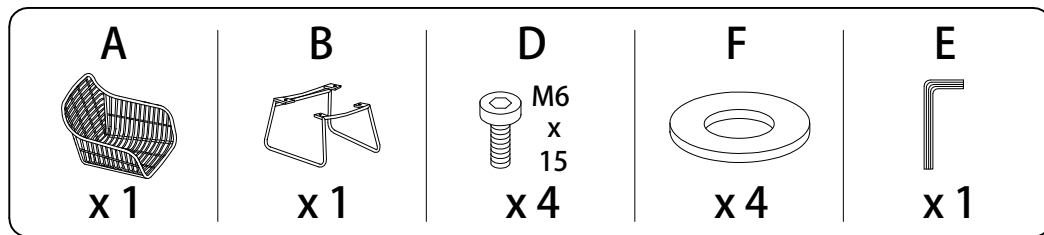
x 2

L

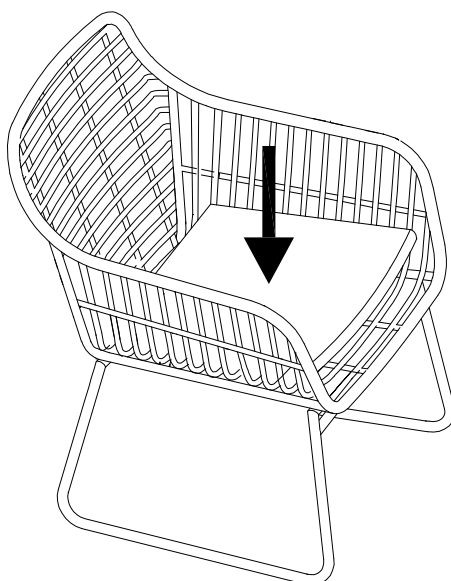
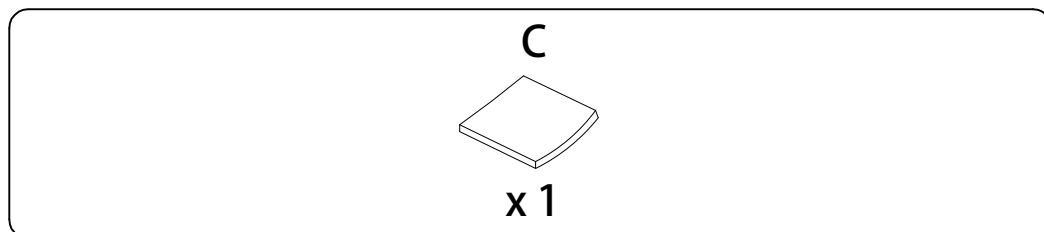


x 1

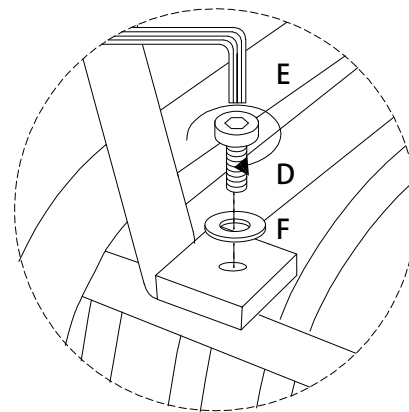
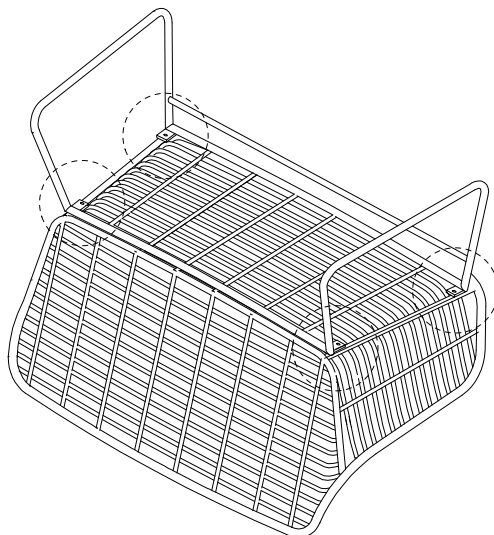
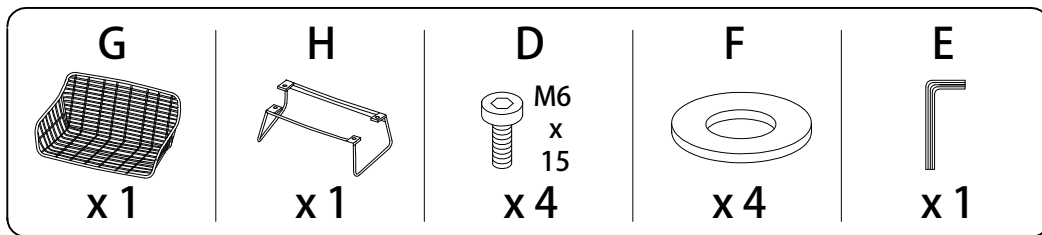
1 x2



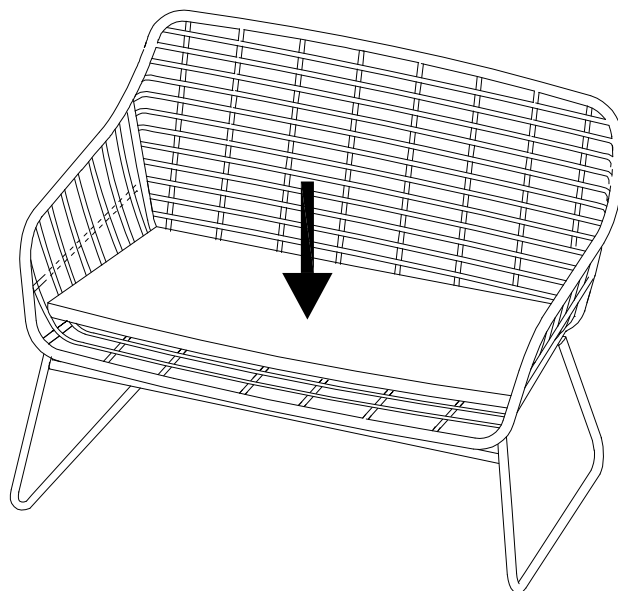
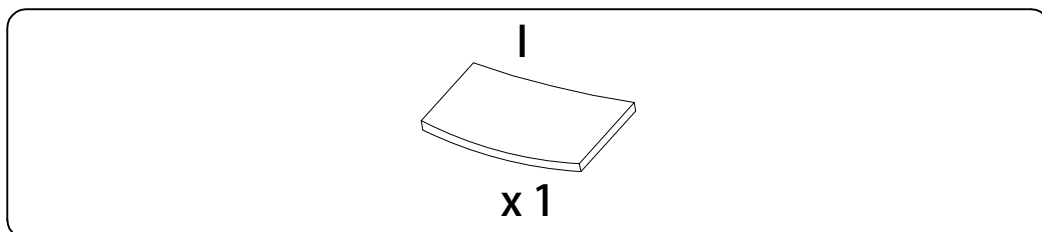
2 x2



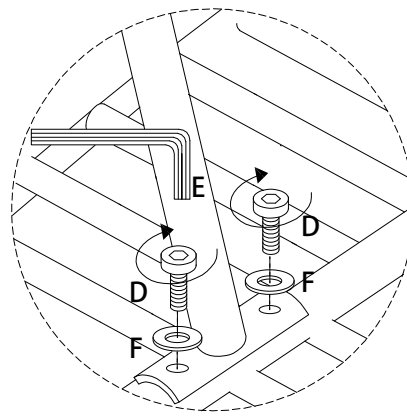
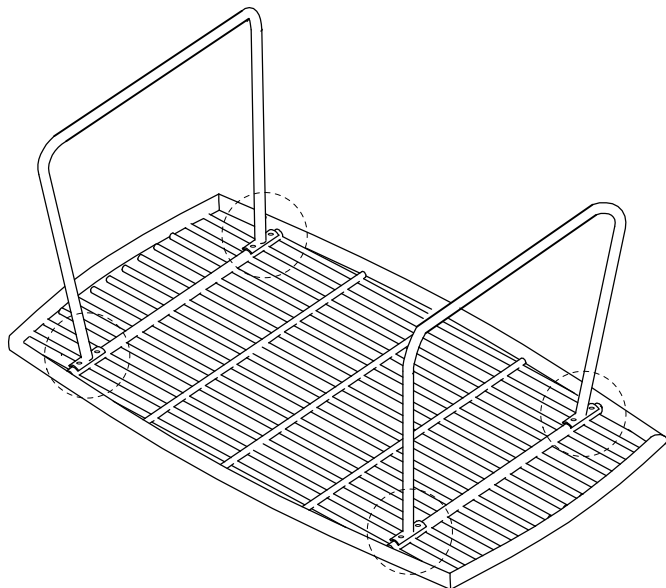
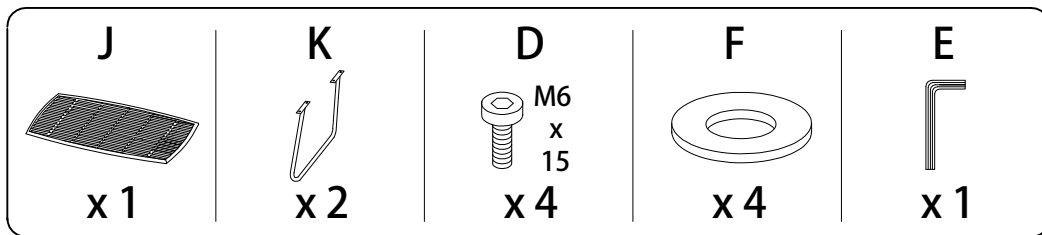
3



4



5



6

