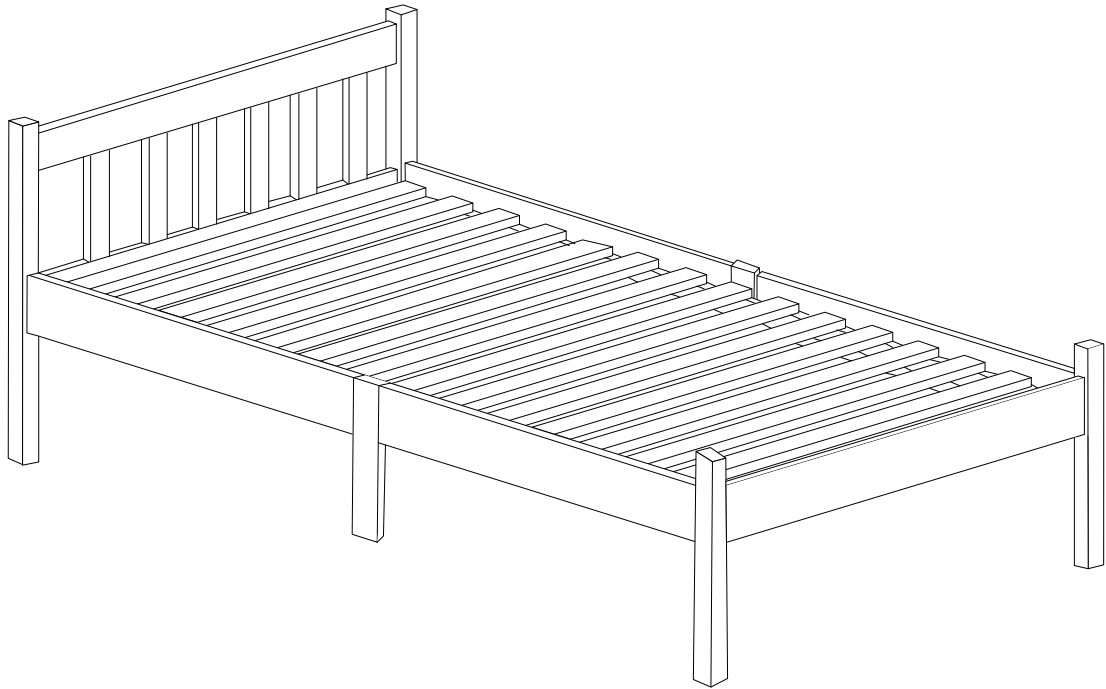


# FLORAC

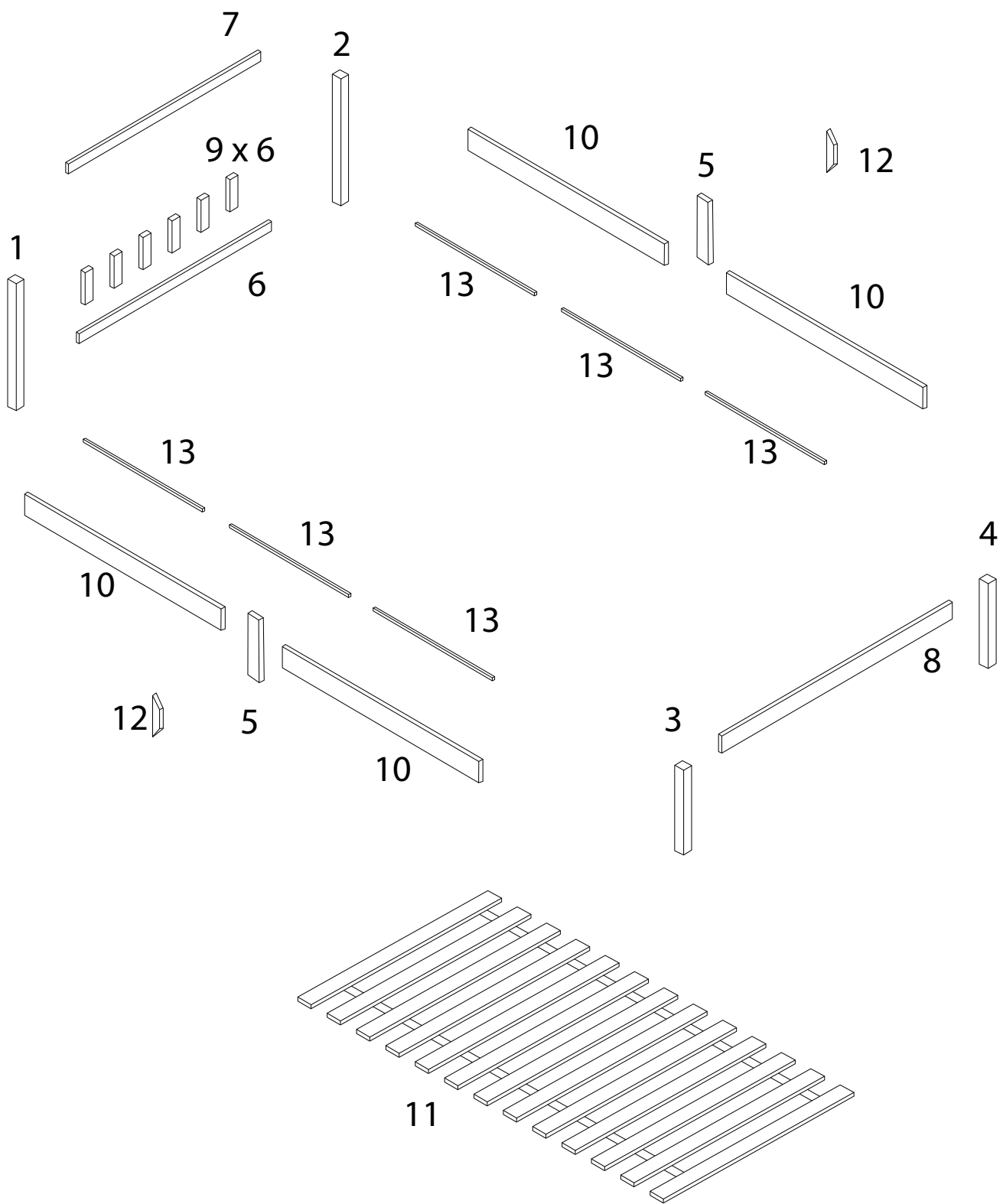




A circular icon containing a line drawing of an L-shaped bracket, a wrench, and a screwdriver. To the right of the circle is a power drill with a diagonal line through it, indicating it should not be used.	A warning triangle icon with an exclamation mark inside.	A clock icon showing approximately 45 minutes.
A circular icon containing a line drawing of a mattress on a slatted base. To the right of the circle is a mattress on a solid base with a diagonal line through it, indicating it is not supported.	A warning triangle icon with an exclamation mark inside.	A simple line drawing of a person.

45'

2



1



x 1

2



x 1

3



x 1

4



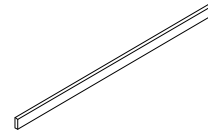
x 1

5



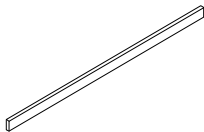
x 2

6



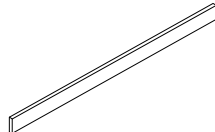
x 1

7



x 1

8



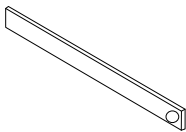
x 1

9



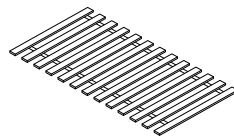
x 6

10



x 1

11



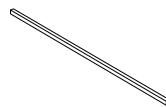
x 1

12



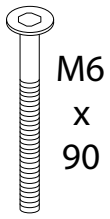
x 2

13



x 6

N



x 12

O



x 12

P



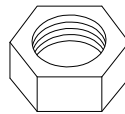
x 46

Q



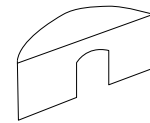
x 2

R



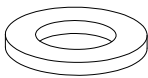
x 4

S



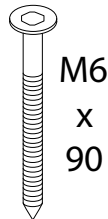
x 4

T



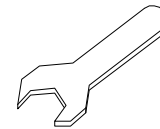
x 4

U



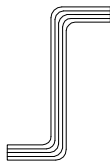
x 2

V



x 1

W



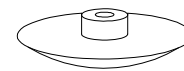
x 1

X



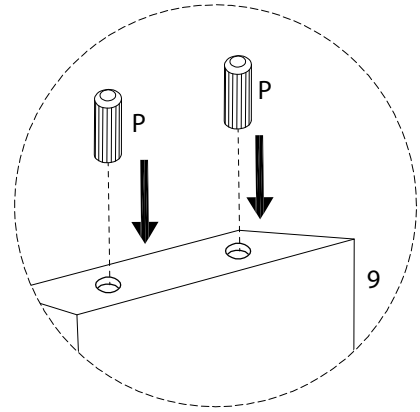
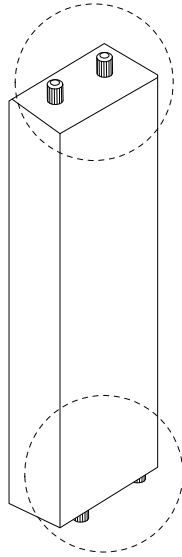
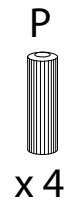
x 64

Y

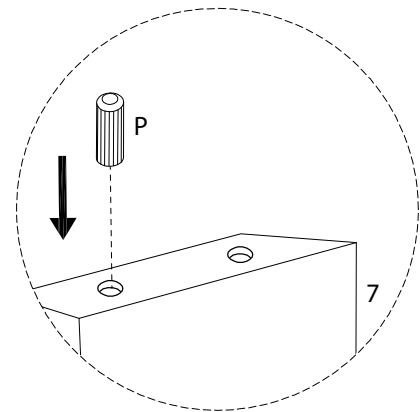
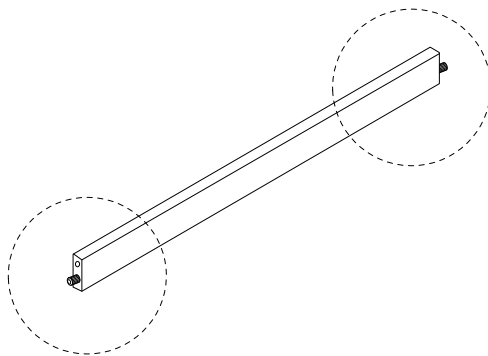
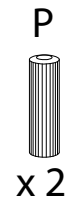
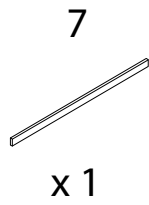


x 14

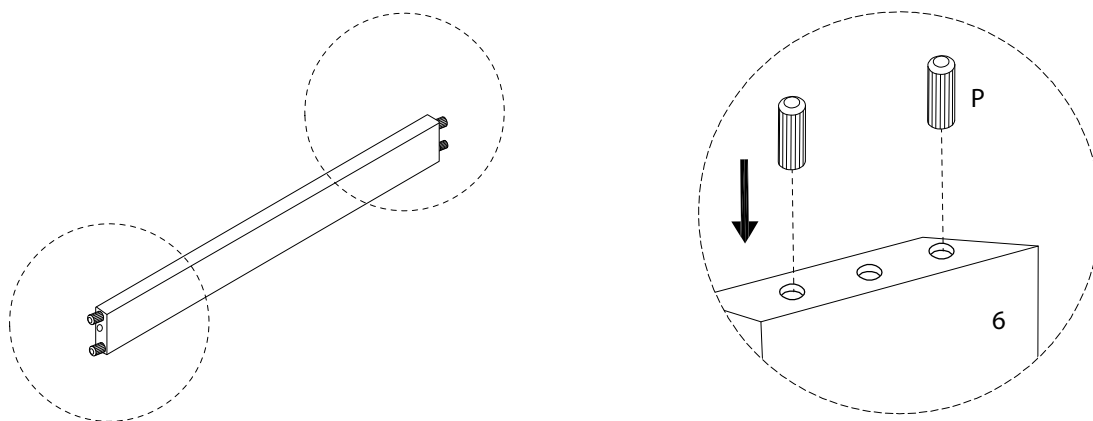
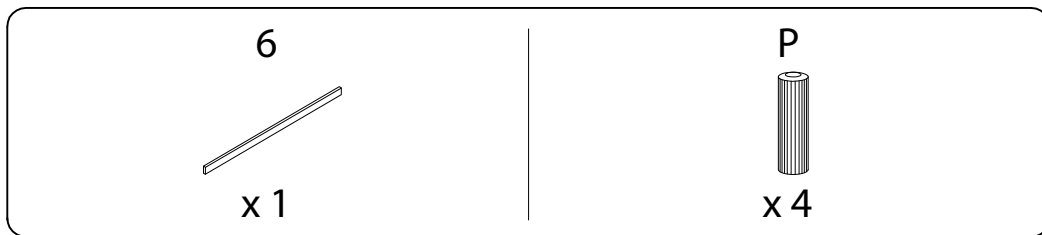
1 x 6



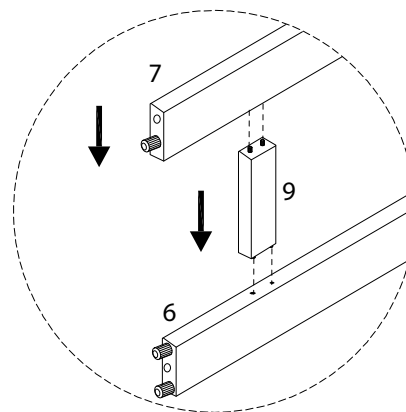
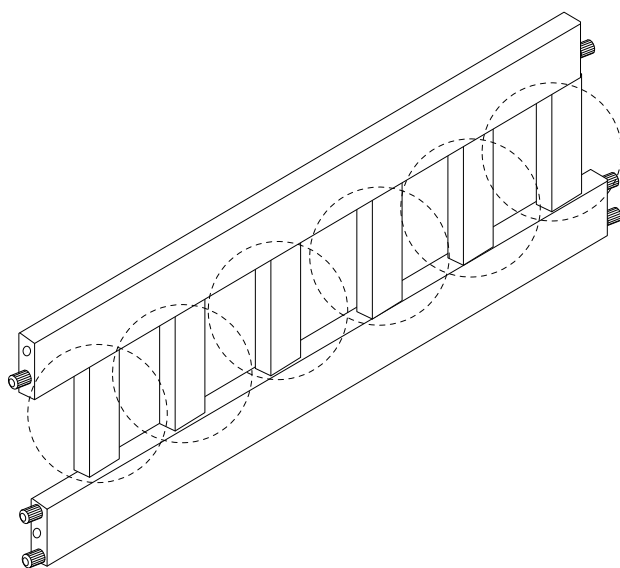
2



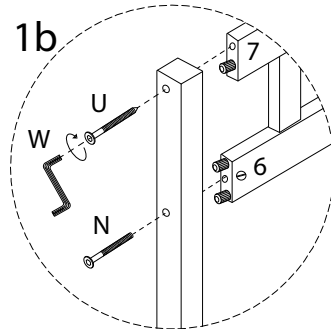
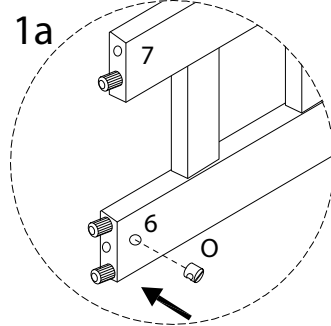
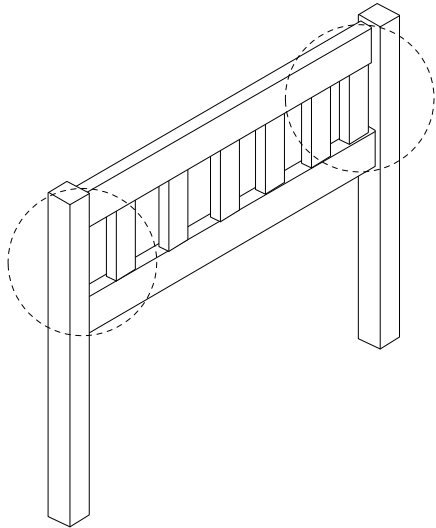
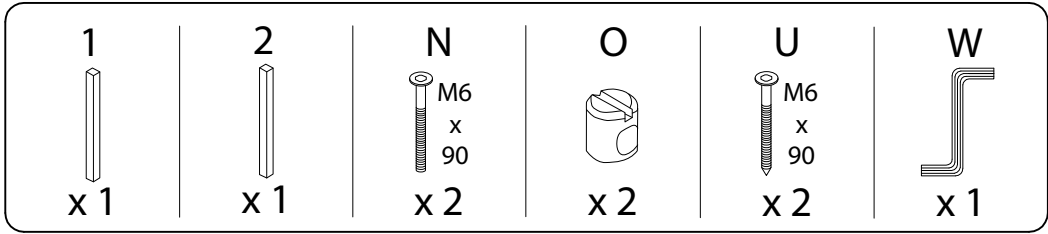
3



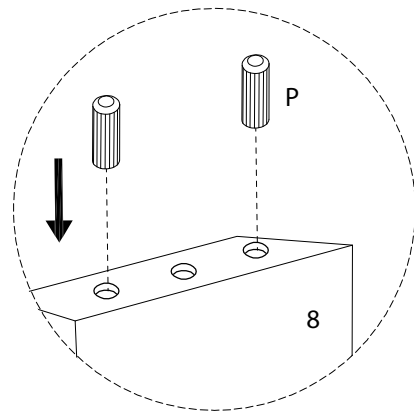
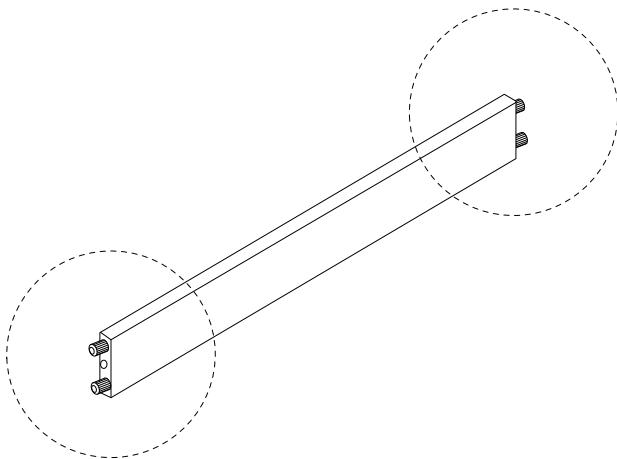
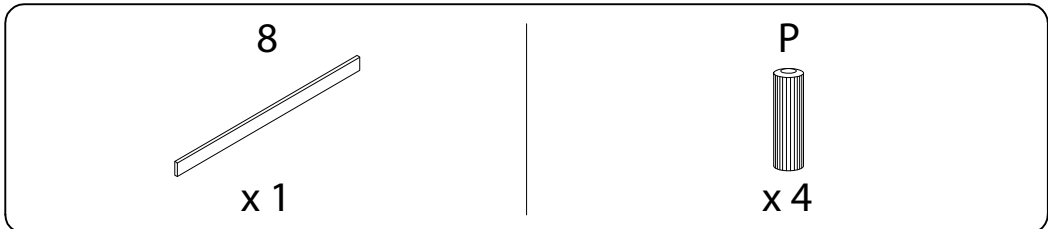
4



5

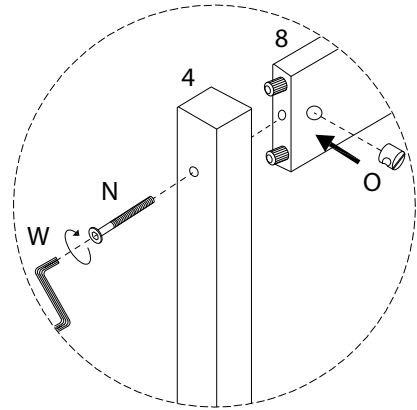
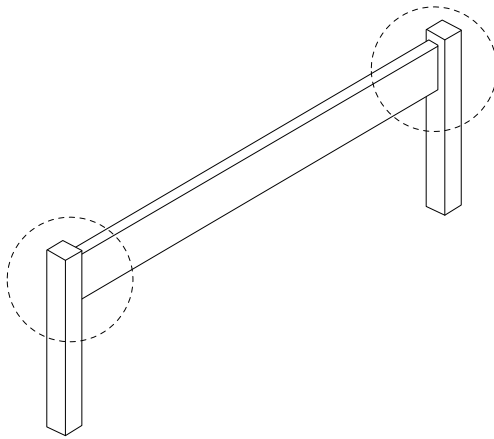
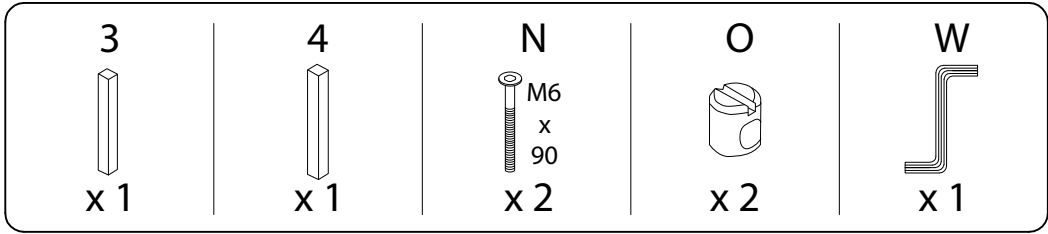


6

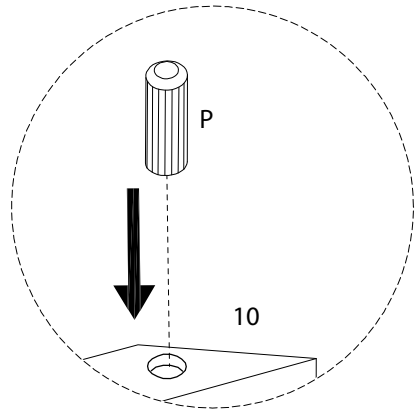
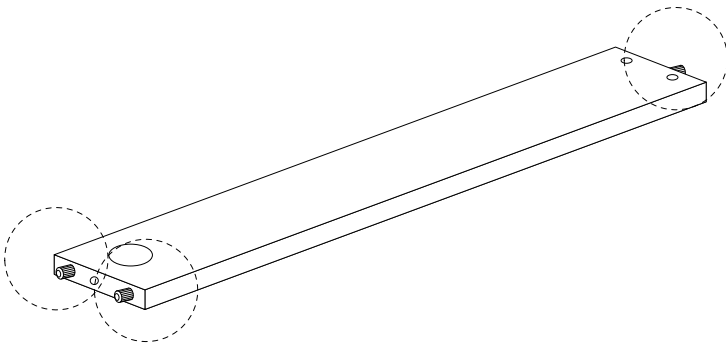
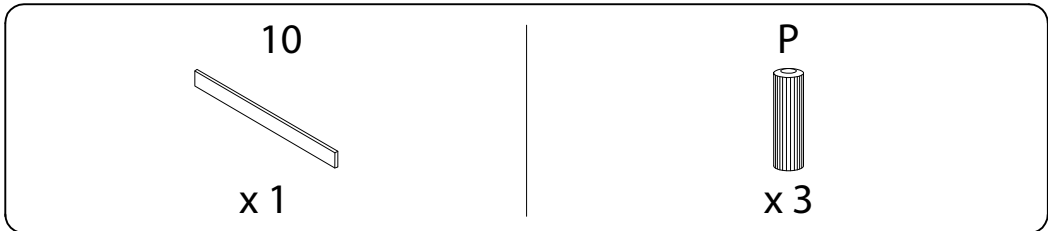




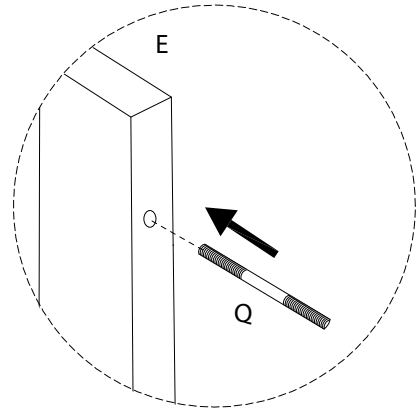
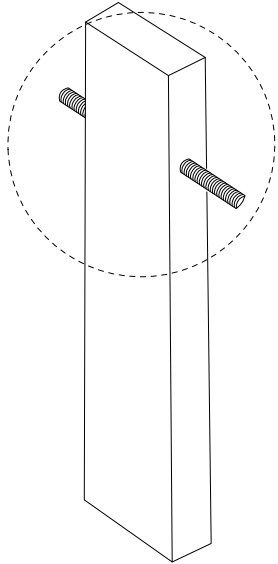
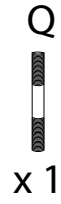
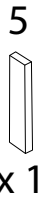
7



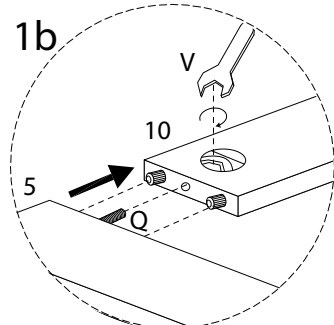
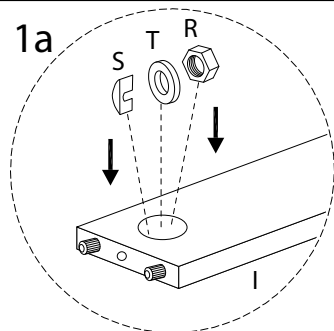
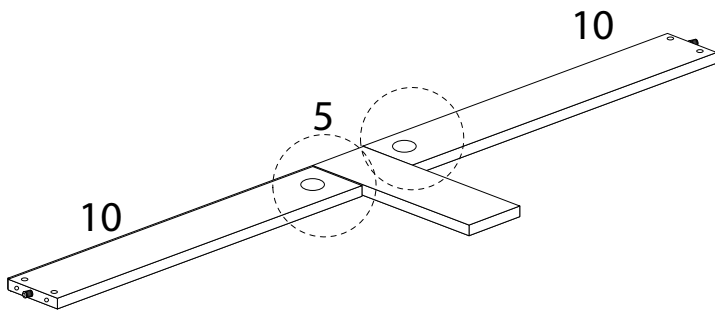
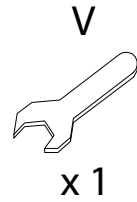
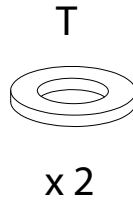
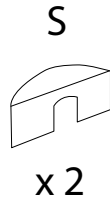
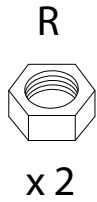
8 x 4



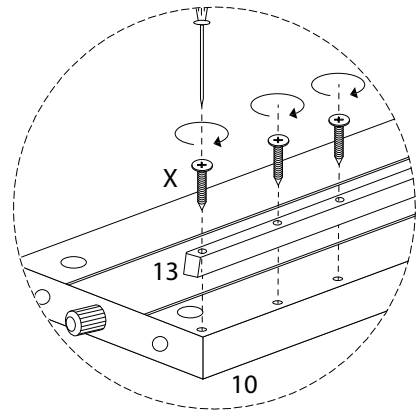
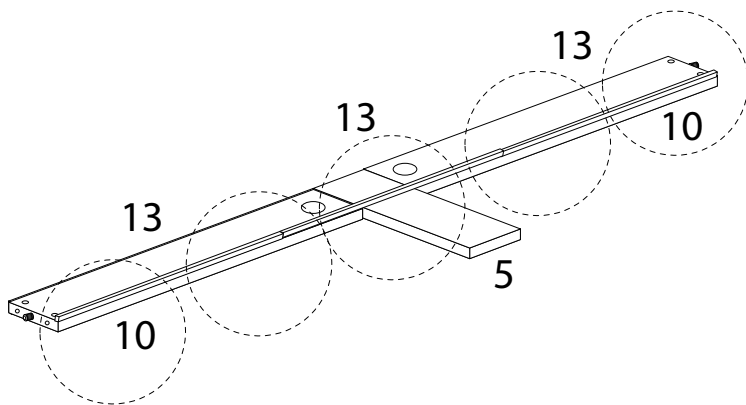
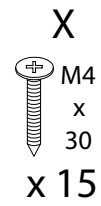
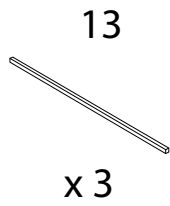
9 x 2



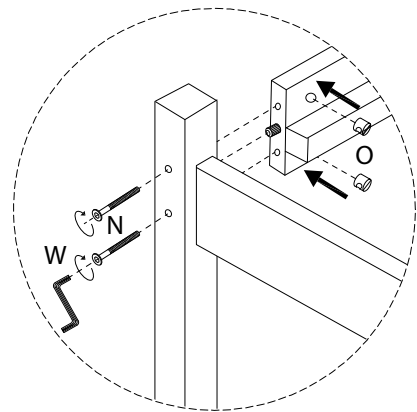
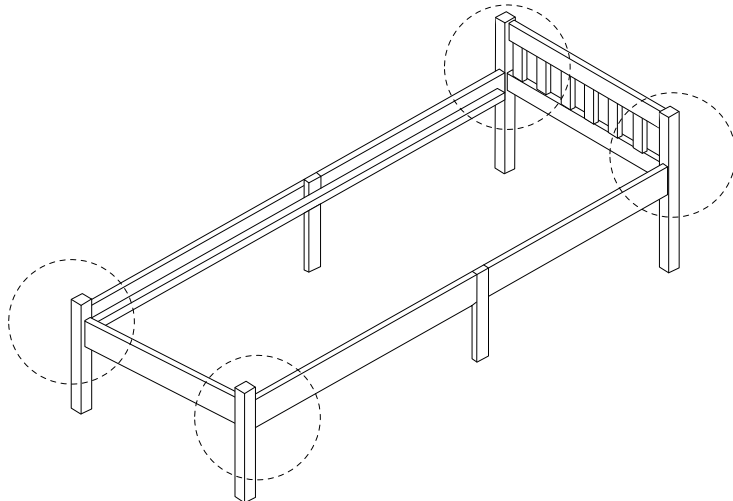
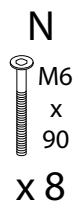
10 x 2



11 x 2



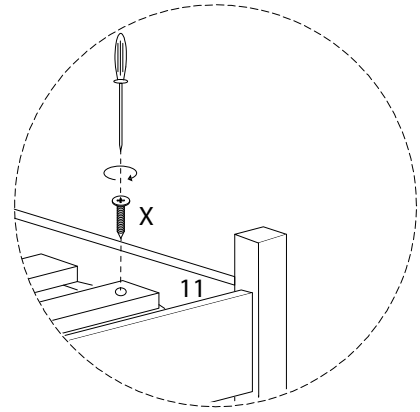
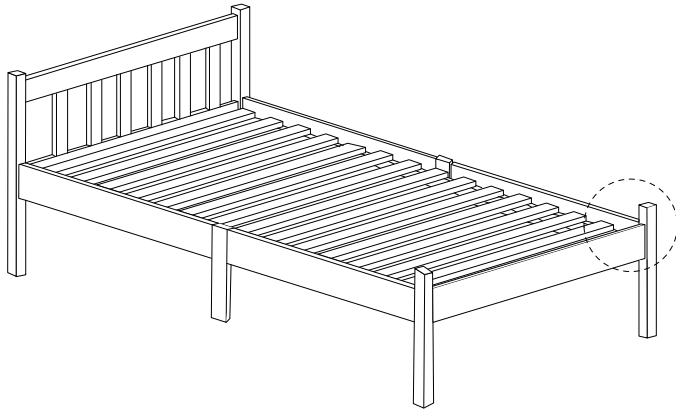
12



13

X  
M4  
x  
30  
x 30

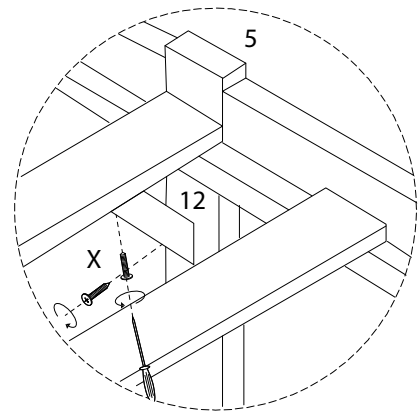
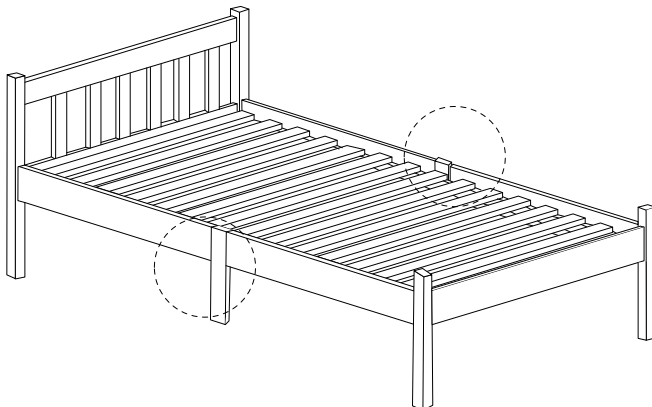
11  
x 1



14

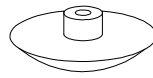
X  
M4  
x  
30  
x 4

12  
x 2



15

Y



x 14

