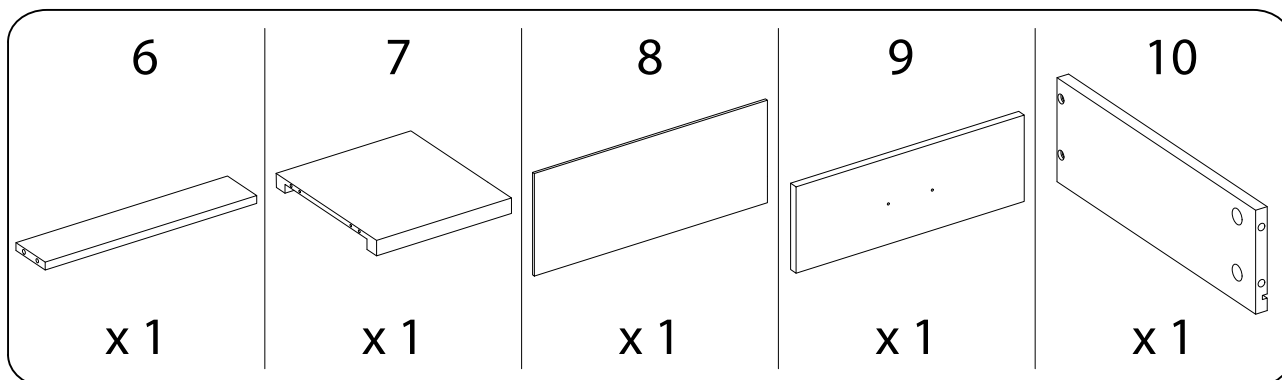
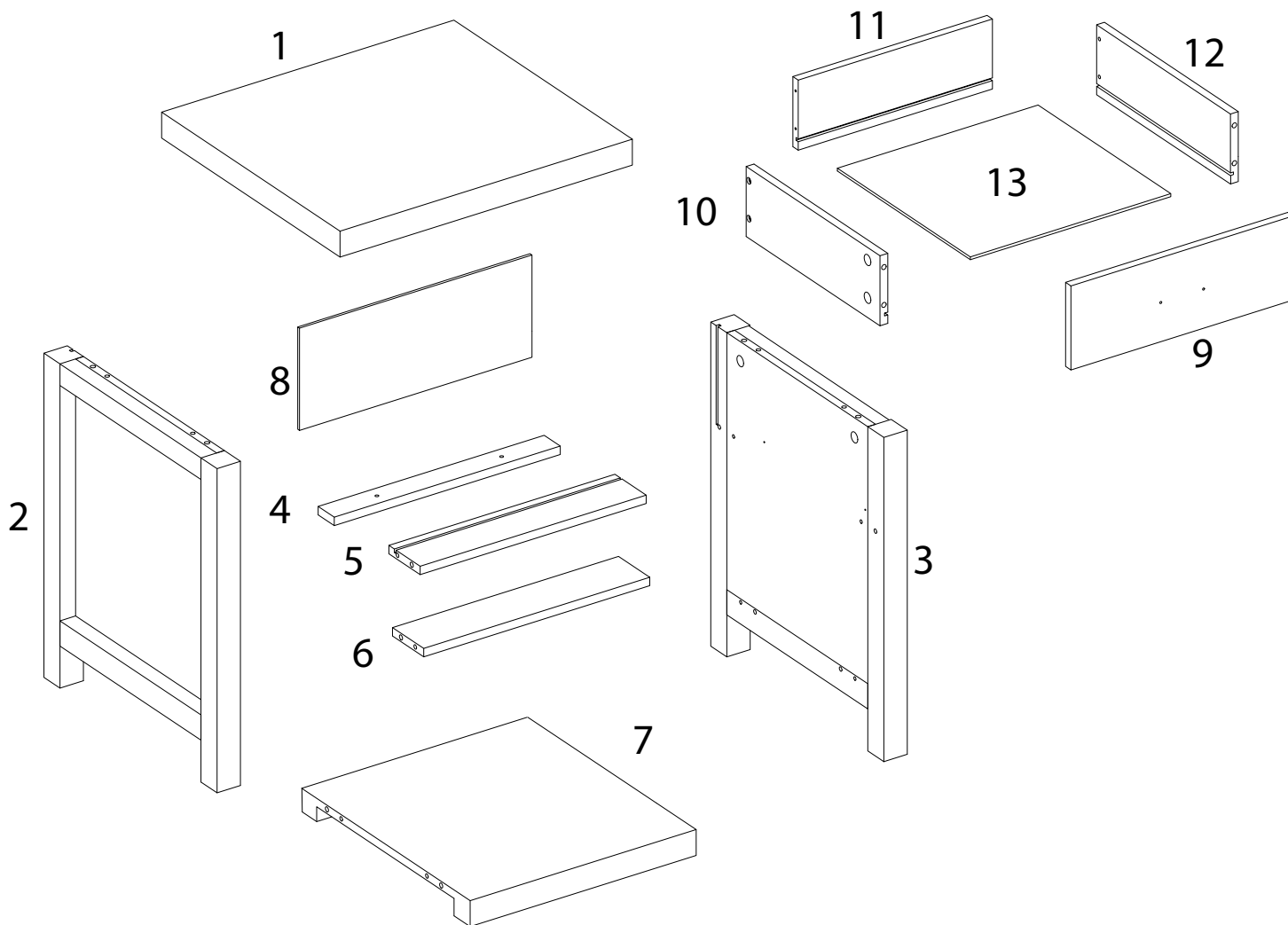
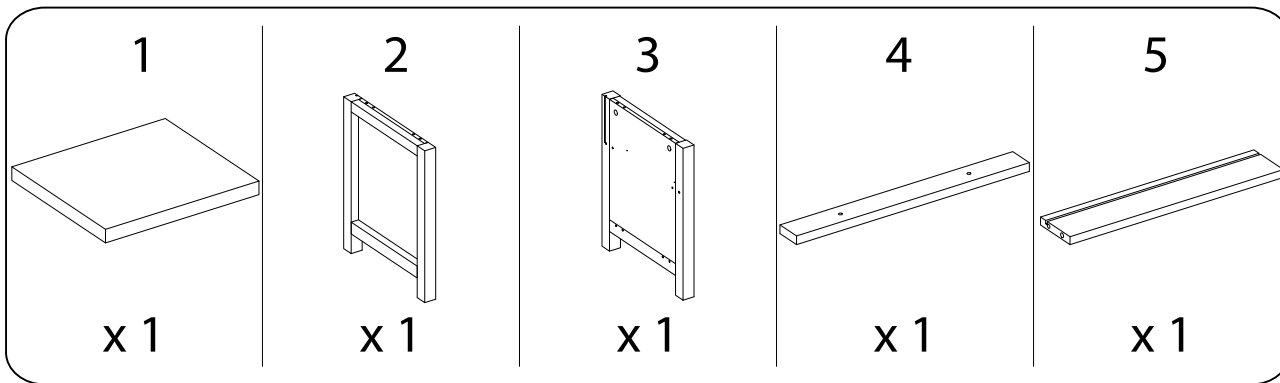
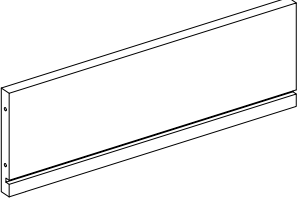
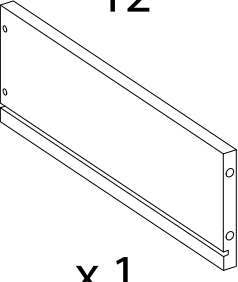
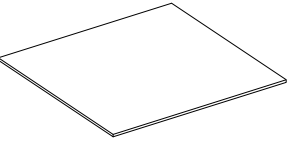
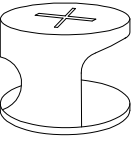
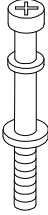
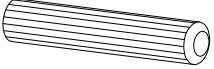
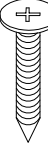
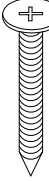
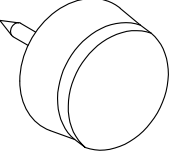
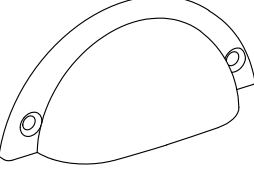
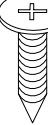
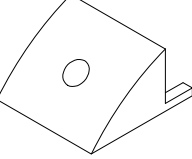
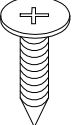
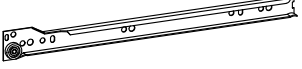
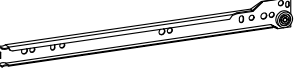

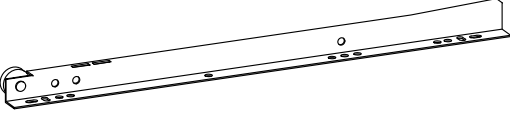


Assembly instructions for step 1/12:

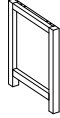
- Tools:** A screwdriver is shown as the required tool. A power drill is shown with a diagonal line through it, indicating it is not to be used.
- Warning:** A triangle with an exclamation mark indicates a warning.
- Time:** A clock icon is shown with the number 40' below it, indicating an estimated assembly time of 40 minutes.
- Personnel:** A stick figure icon is shown with the number 1 below it, indicating that one person is required for assembly.



| | | | |
|--|---|---|--|
| <p>11</p>  <p>x 1</p> | <p>12</p>  <p>x 1</p> | <p>13</p>  <p>x 1</p> | <p>A</p>  <p>x 16</p> |
| <p>B</p>  <p>x 16</p> | <p>C</p>  <p>x 12</p> | <p>D</p>  <p>M4 x 25</p> <p>x 2</p> | <p>E</p>  <p>M4 x 35</p> <p>x 4</p> |
| <p>F</p>  <p>x 4</p> | <p>G</p>  <p>x 1</p> | <p>H</p>  <p>M3 x 10</p> <p>x 10</p> | <p>I</p>  <p>x 4</p> |
| <p>J</p>  <p>M3 x 14</p> <p>x 6</p> | <p>K</p>  <p>x 1</p> | <p>L</p>  <p>x 1</p> | <p>M</p>  <p>x 1</p> |
| <p>N</p>  <p>x 1</p> | | | |

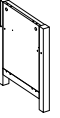
1

2



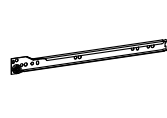
x 1

3



x 1

K



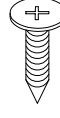
x 1

L



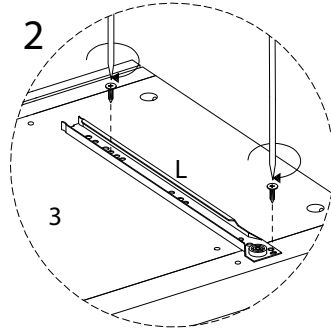
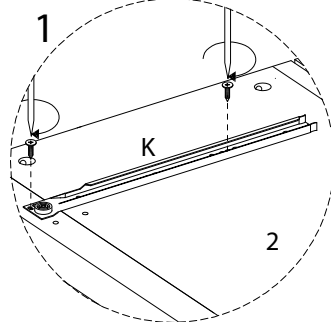
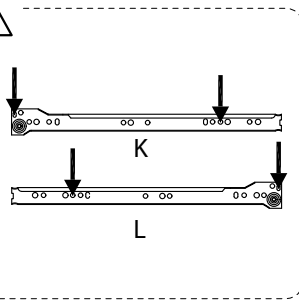
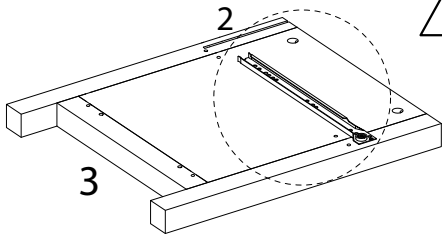
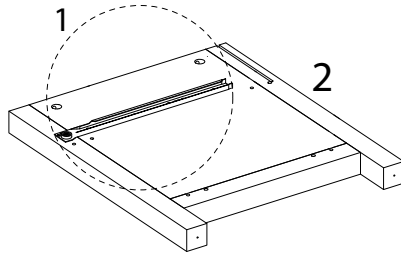
x 1

H



M3
x 10

x 4



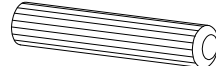
2

B

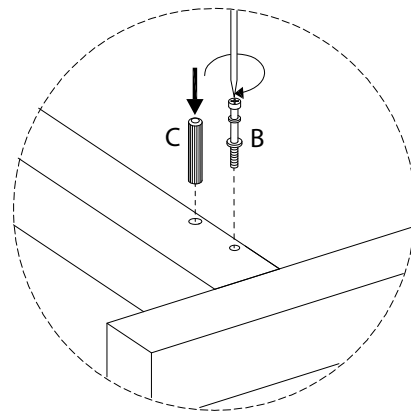
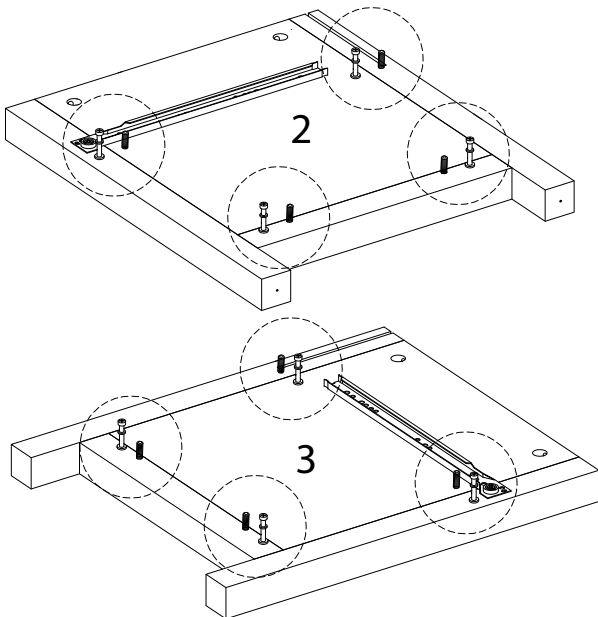


x 8

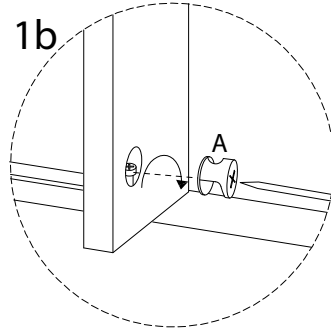
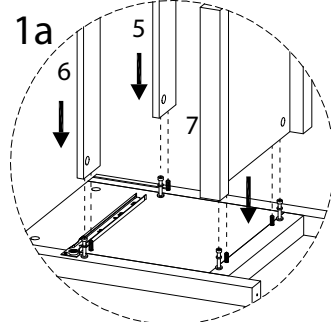
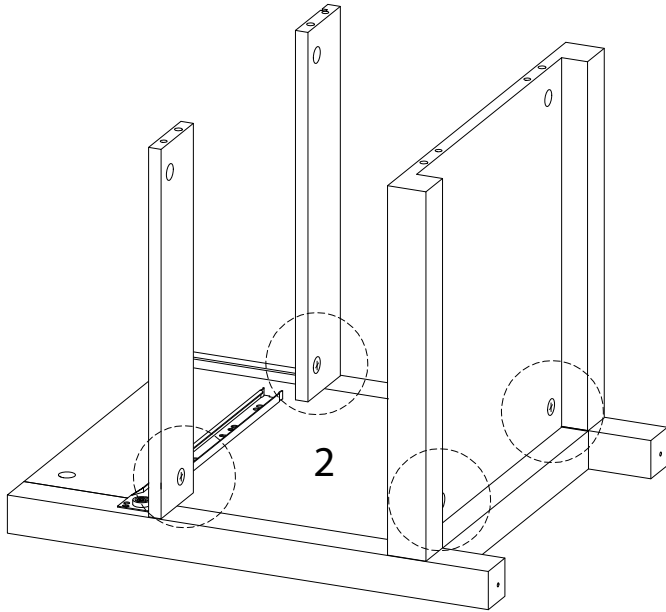
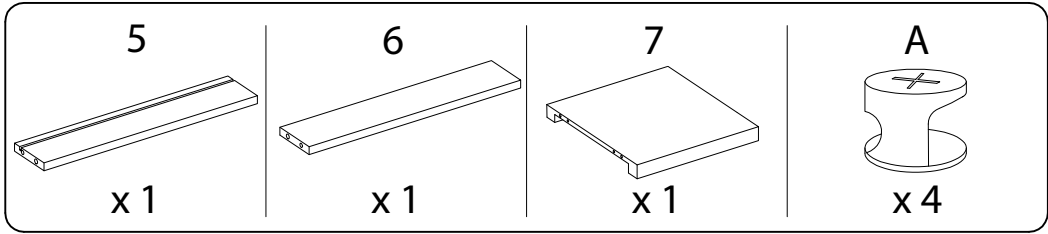
C



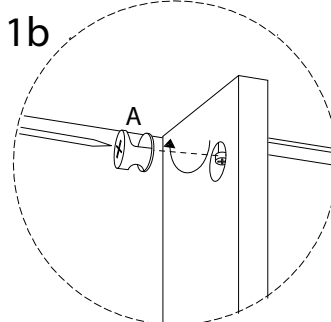
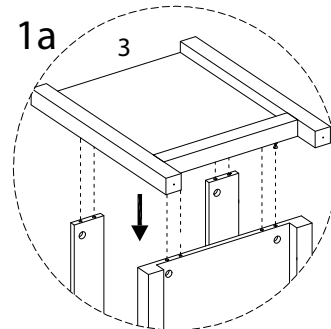
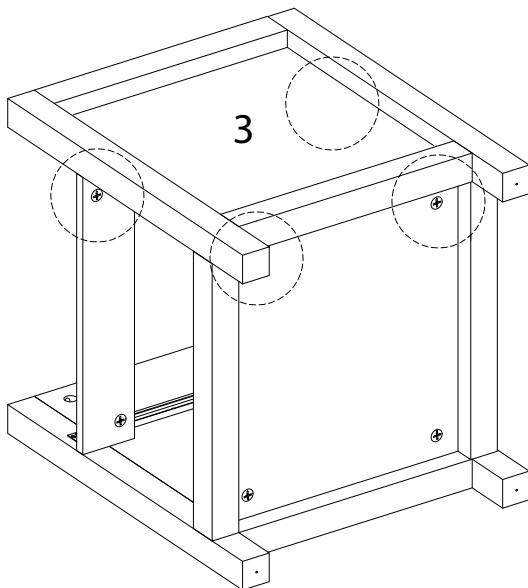
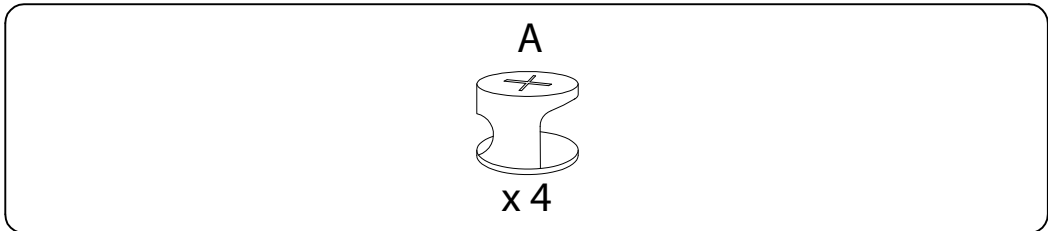
x 8



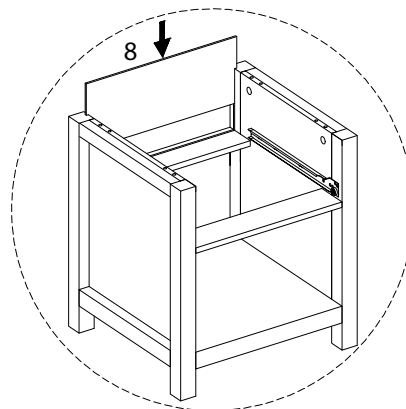
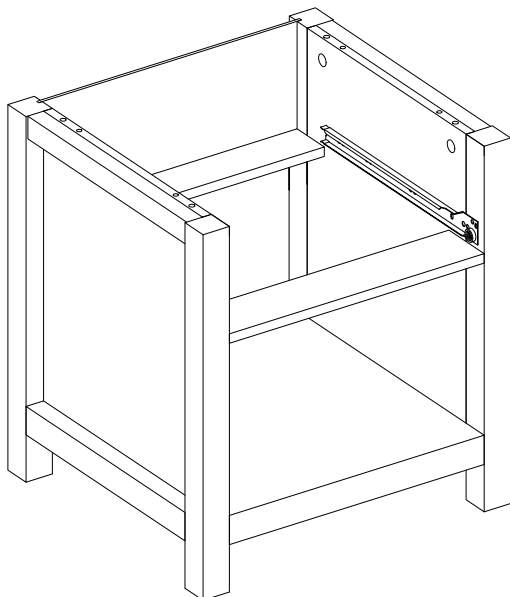
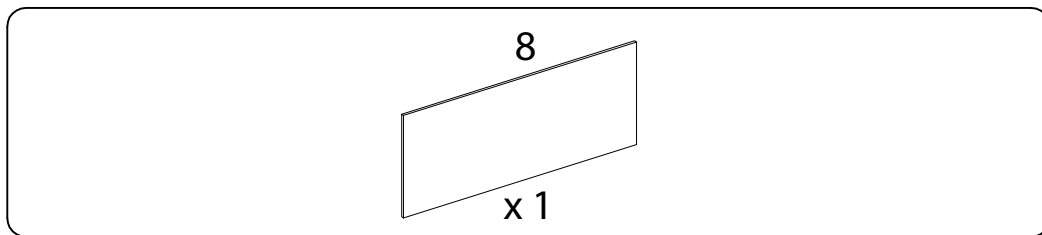
3



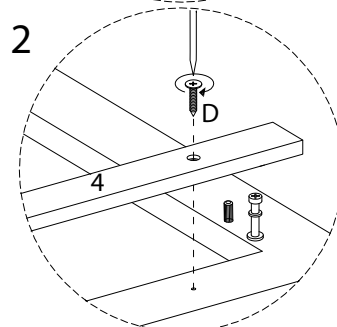
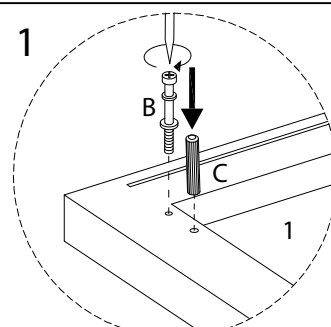
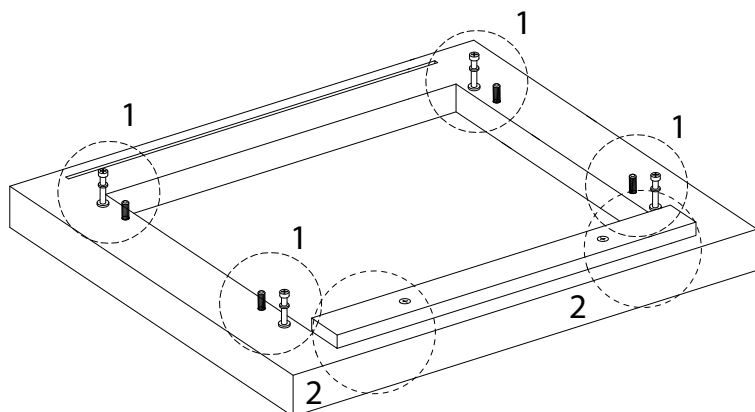
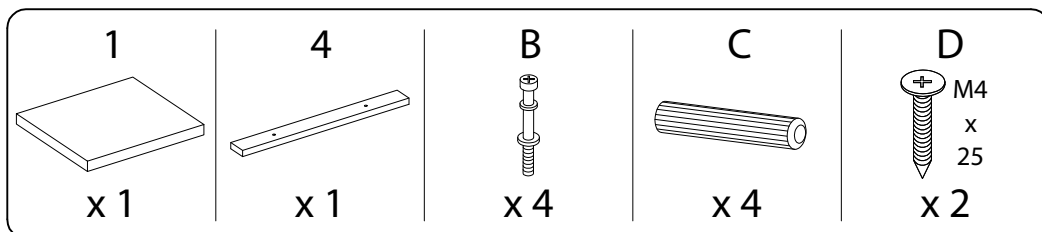
4



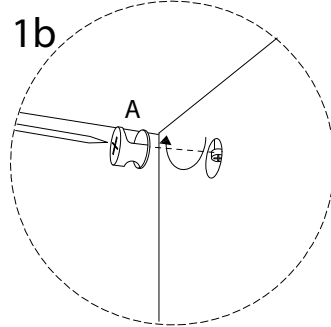
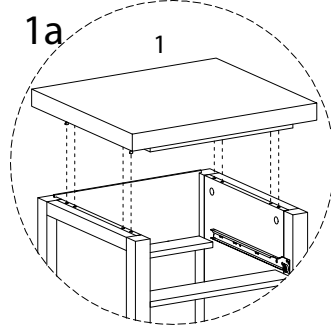
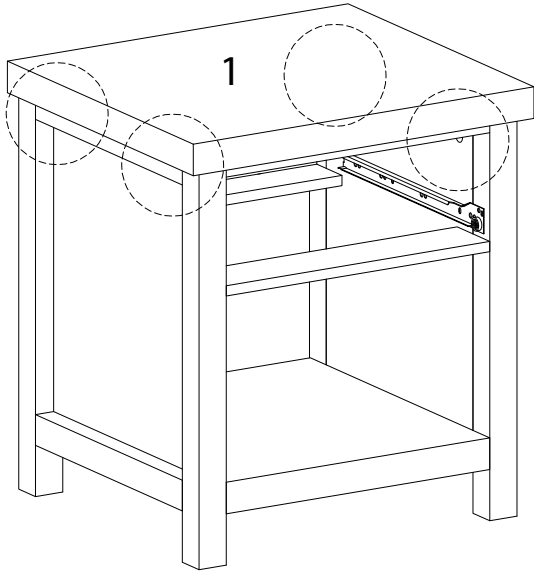
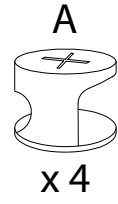
5



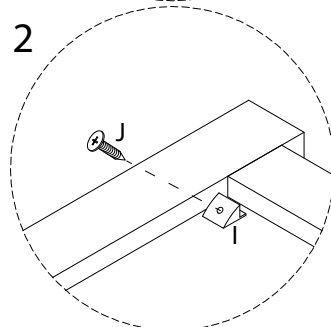
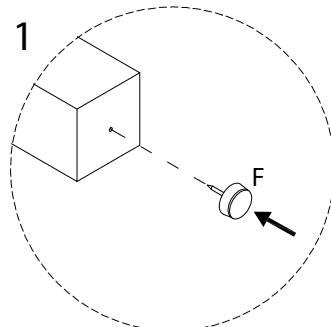
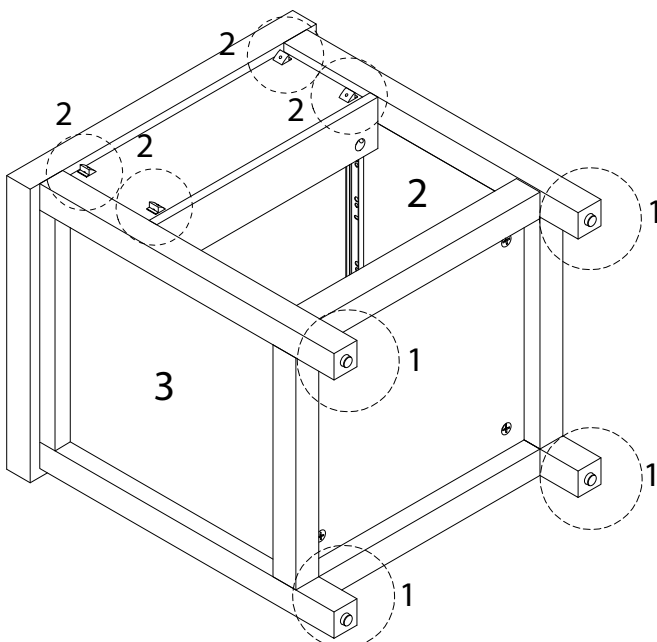
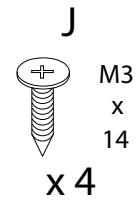
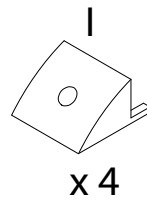
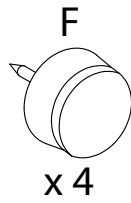
6



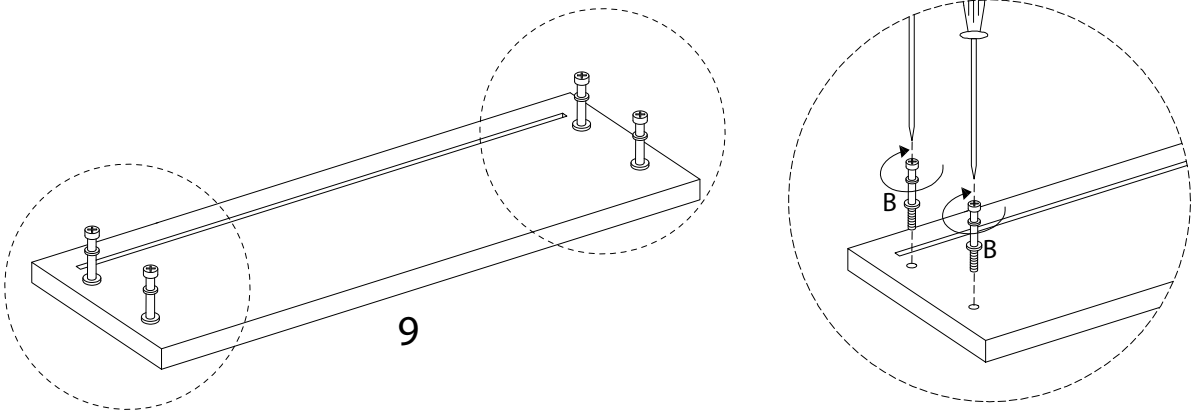
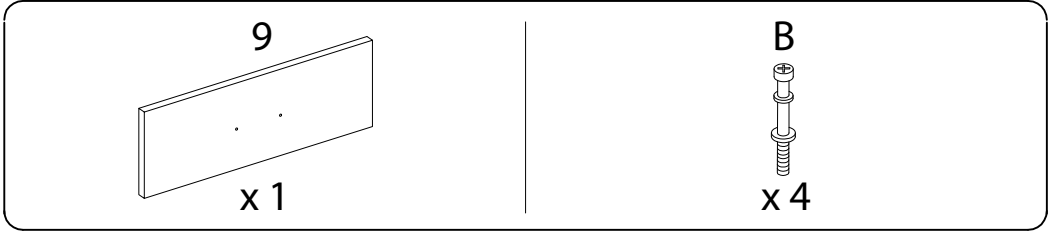
7



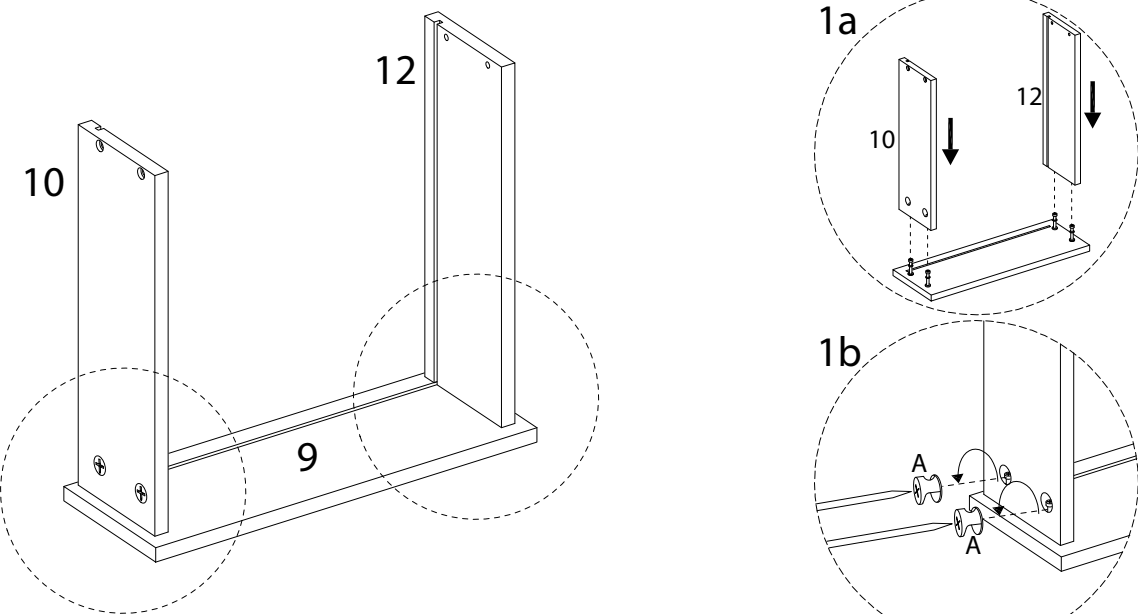
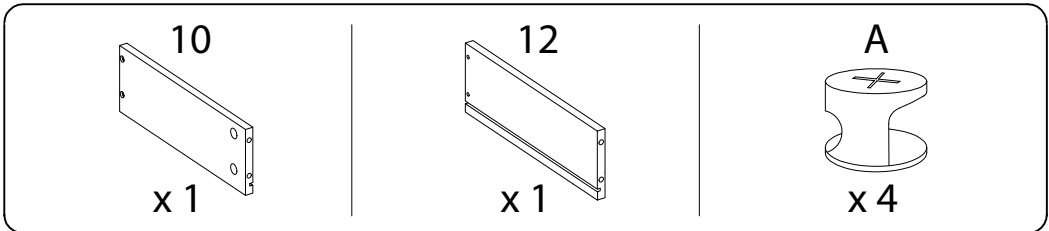
8



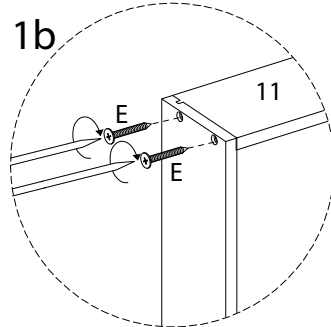
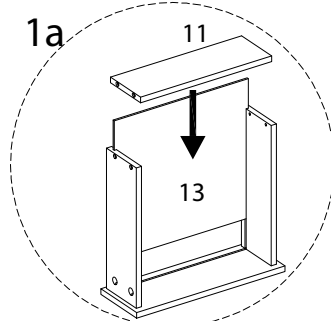
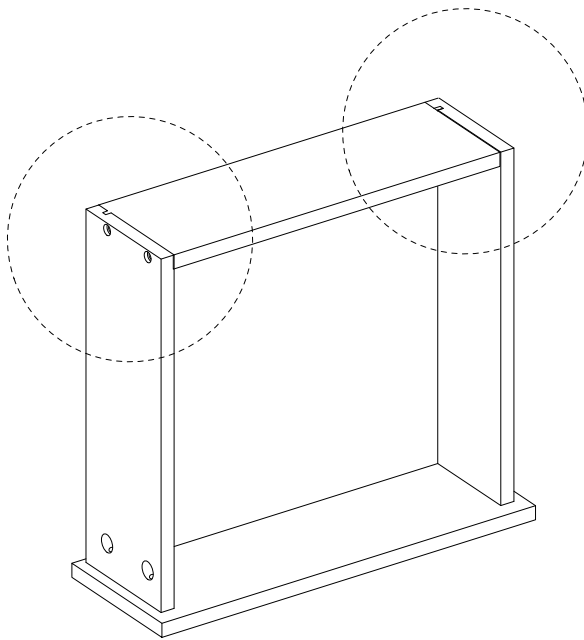
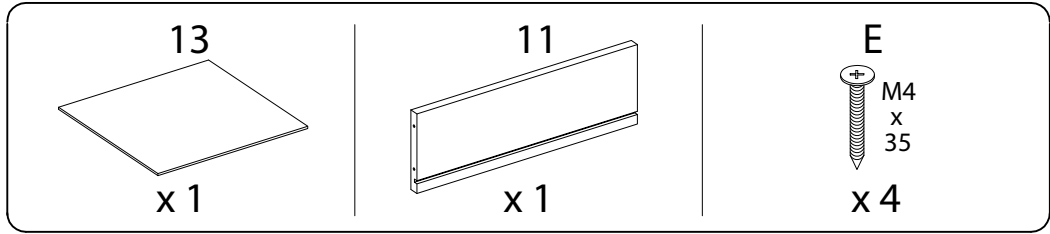
9



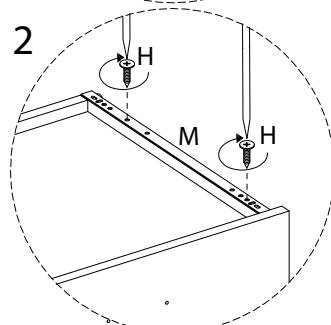
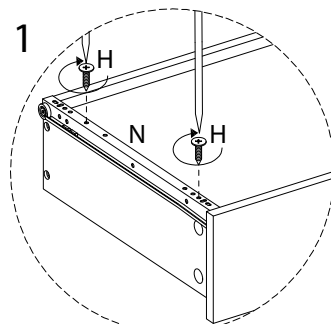
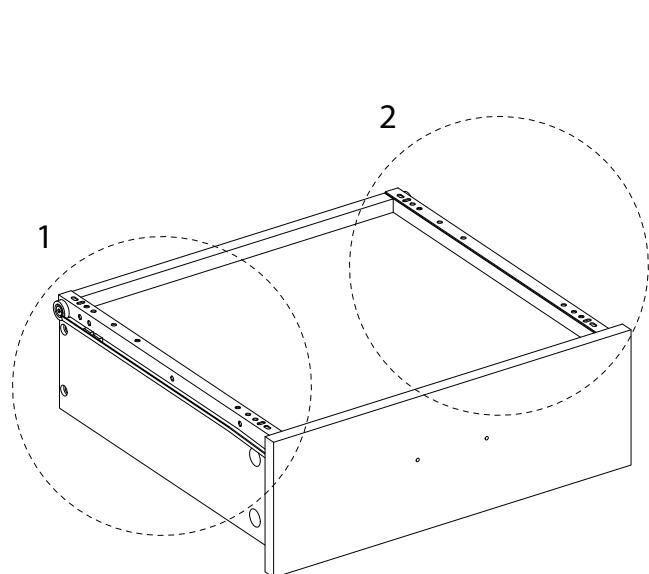
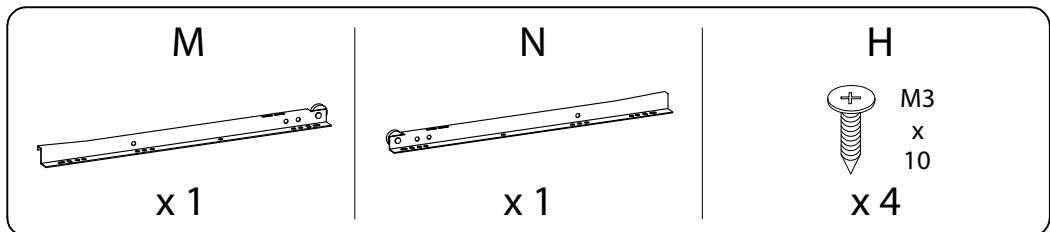
10



11

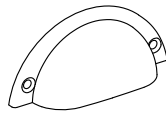


12



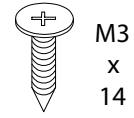
13

G



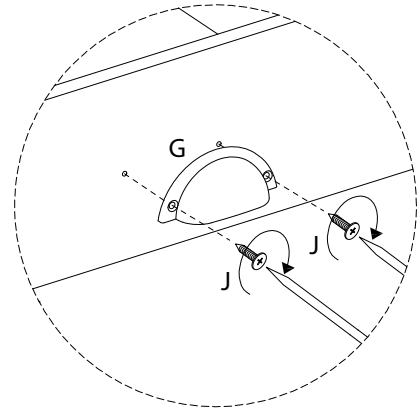
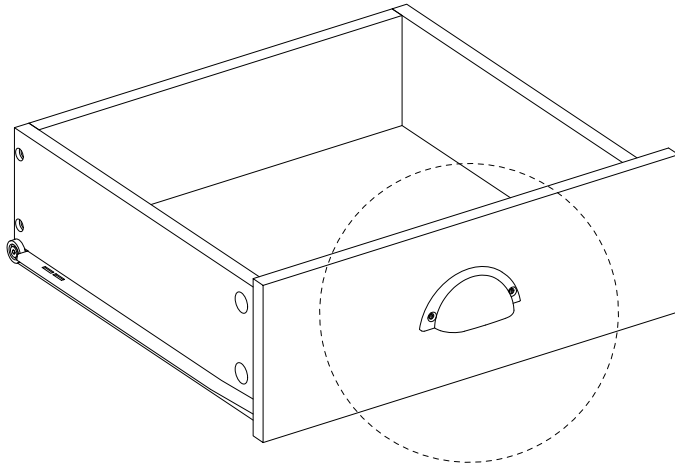
x 1

J

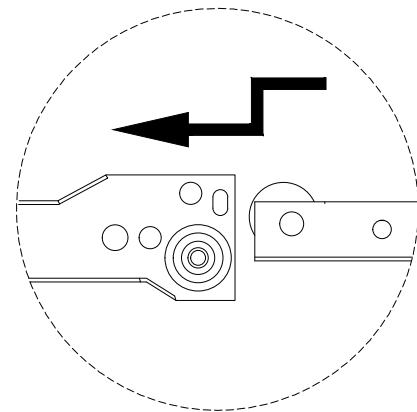
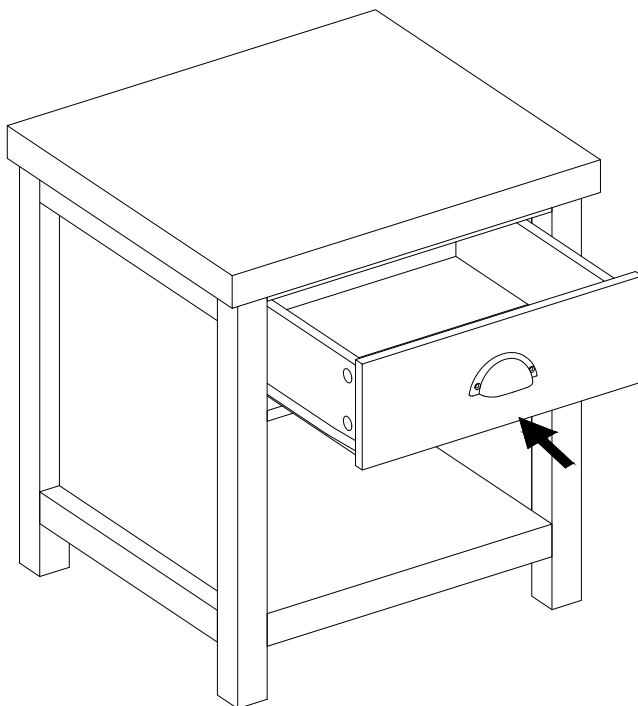


M3
x
14

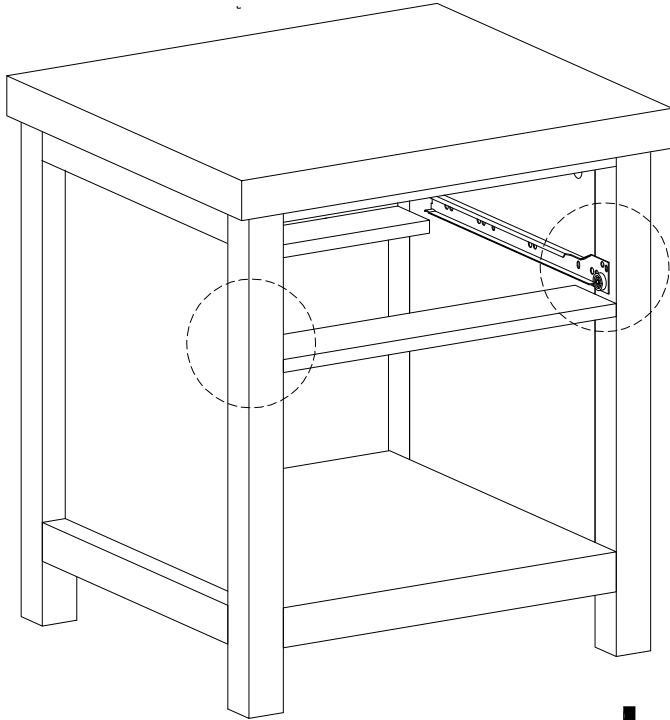
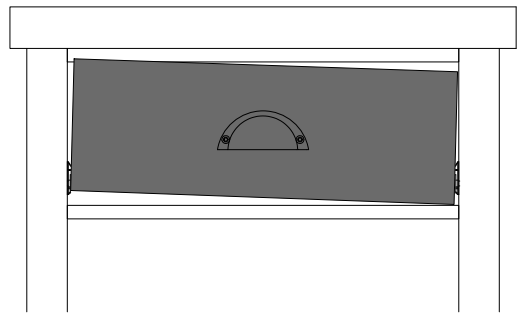
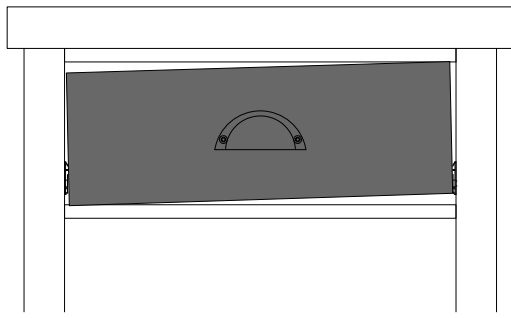
x 2



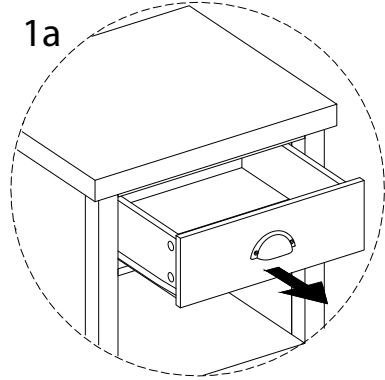
14



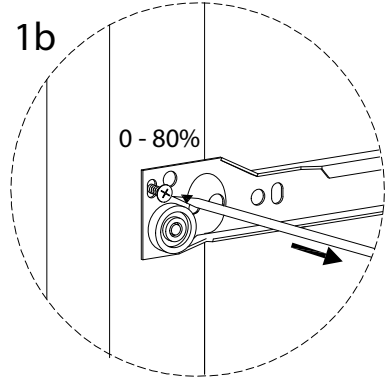
!



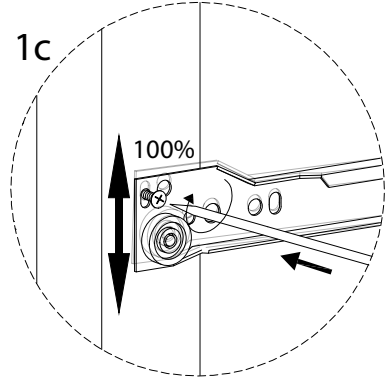
1a



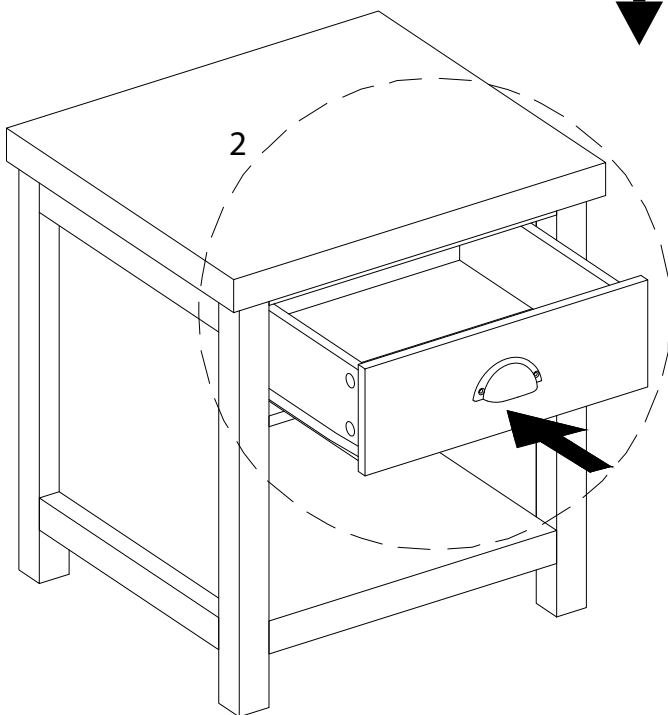
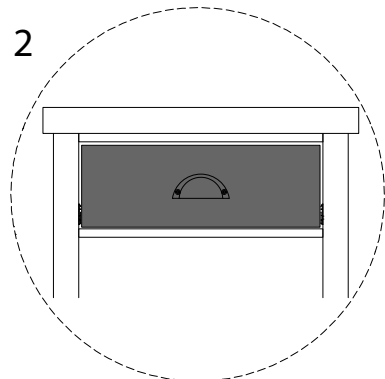
1b



1c



2



15

