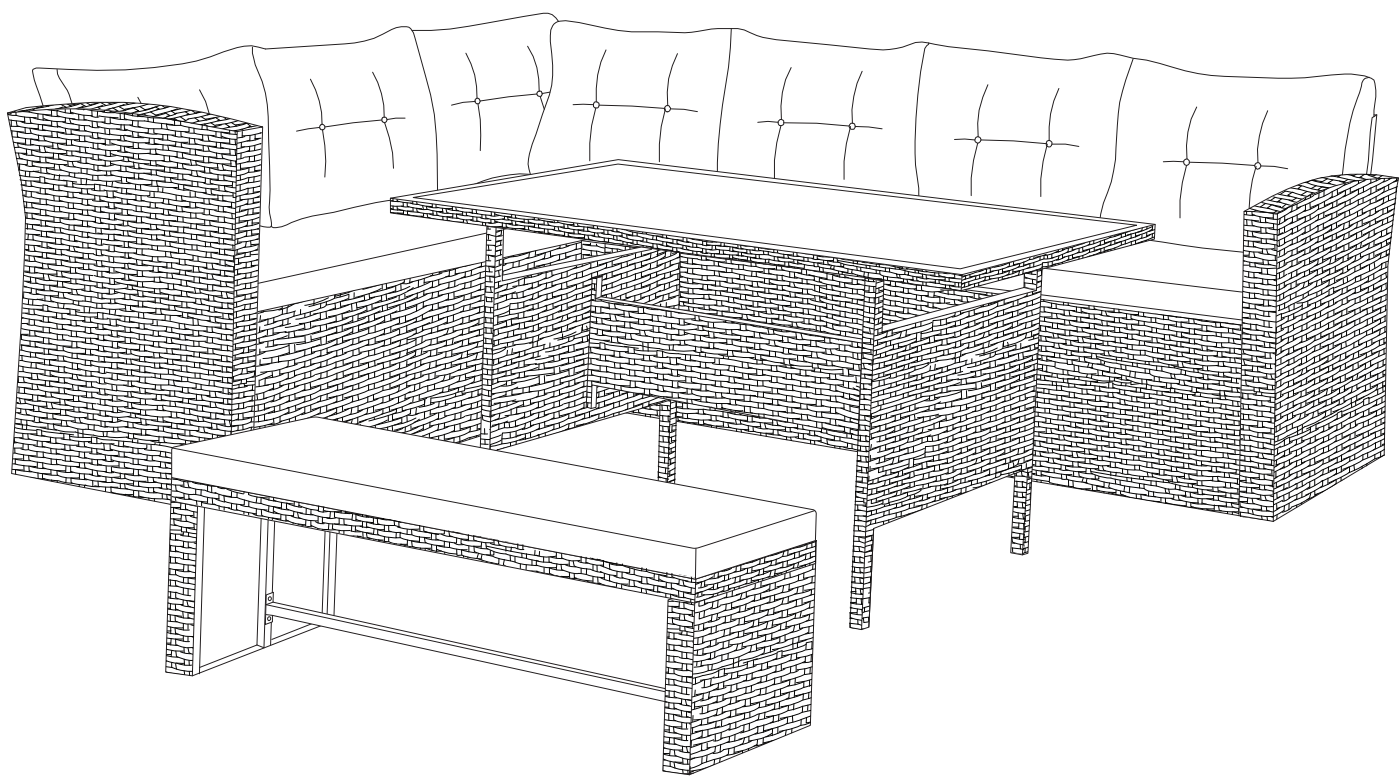
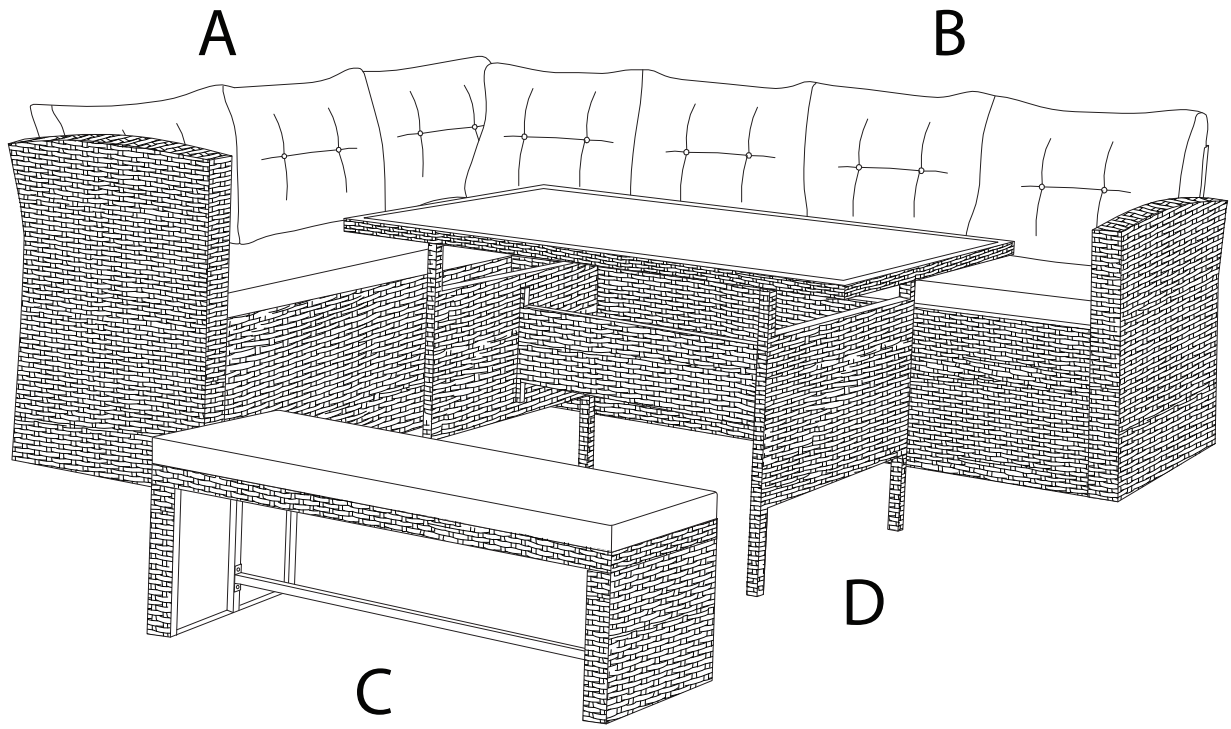


VITERBO

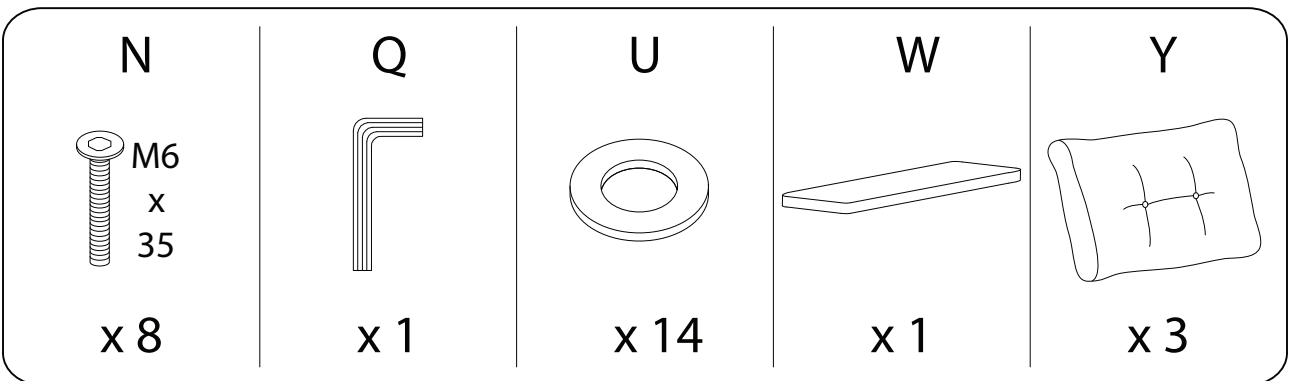
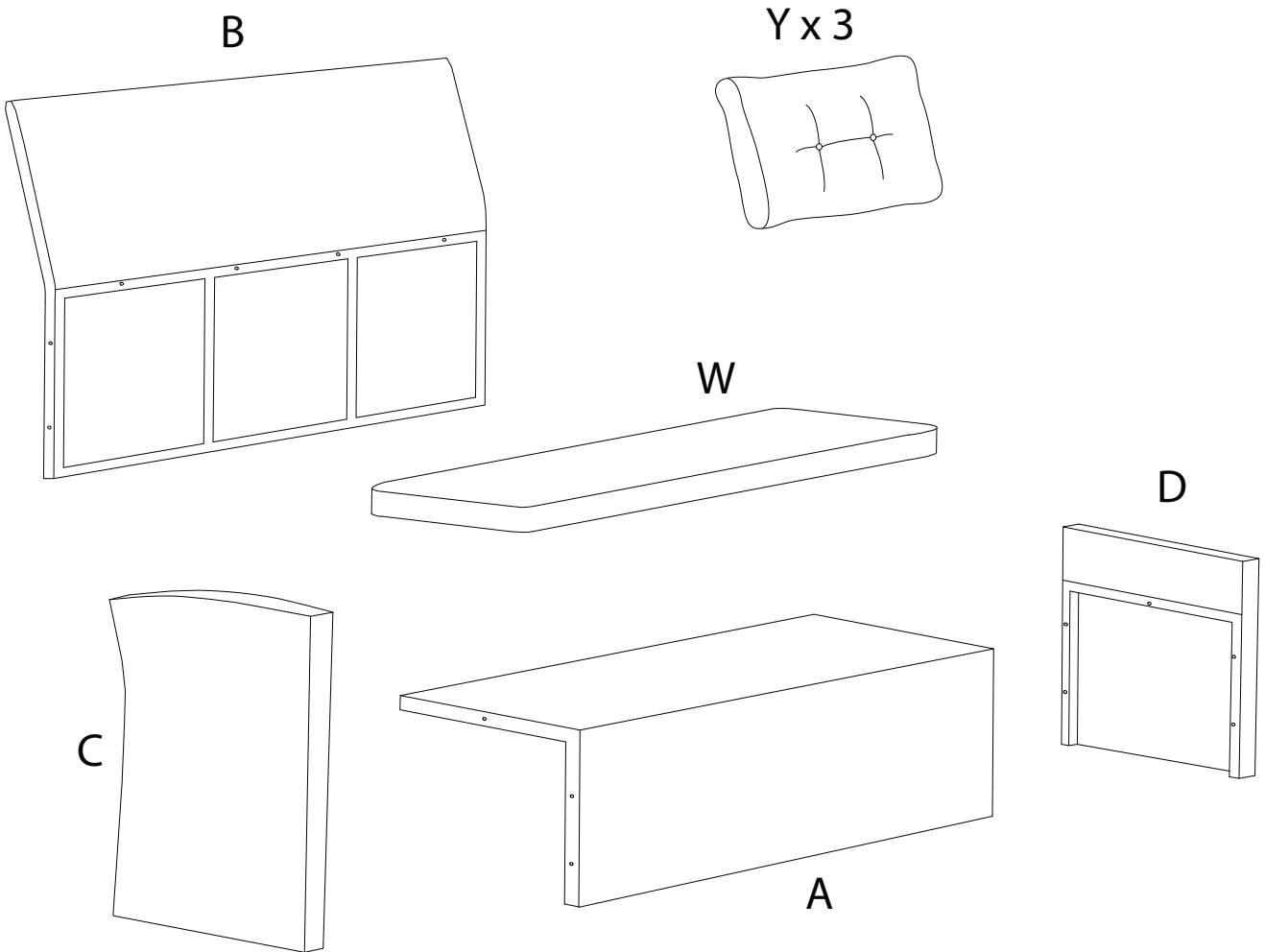
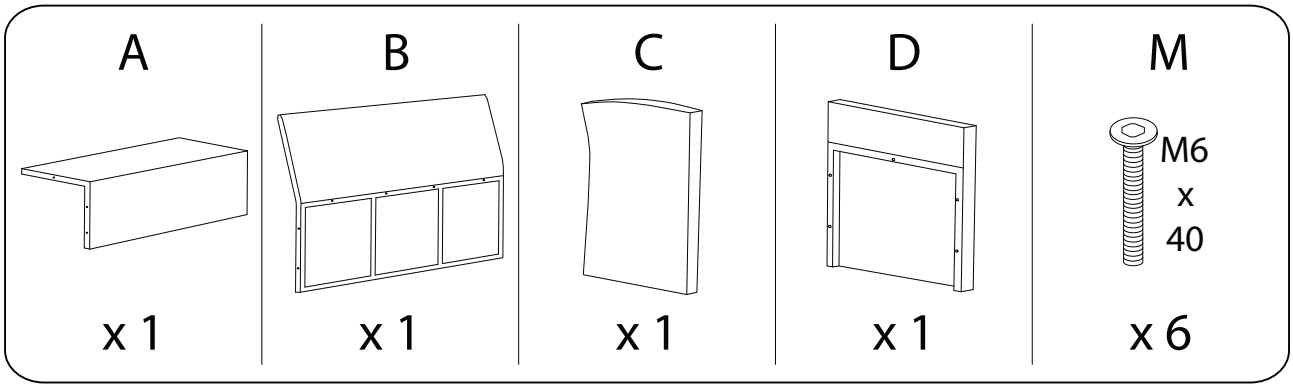




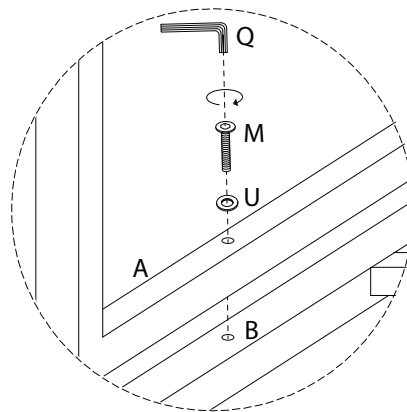
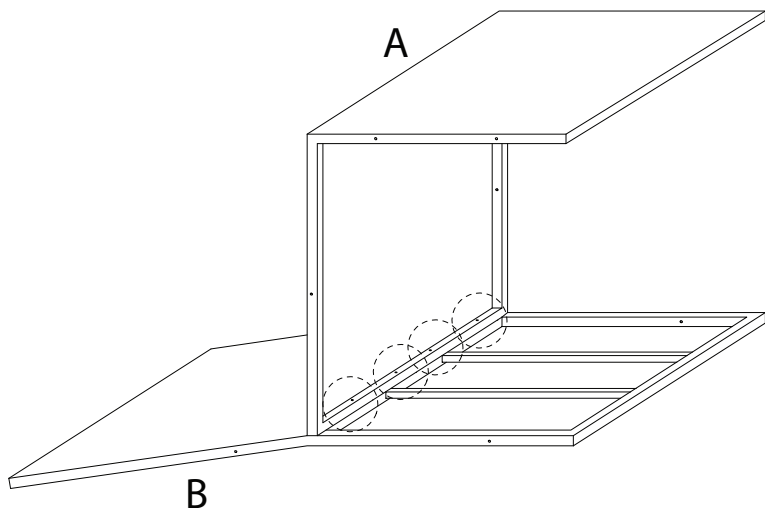
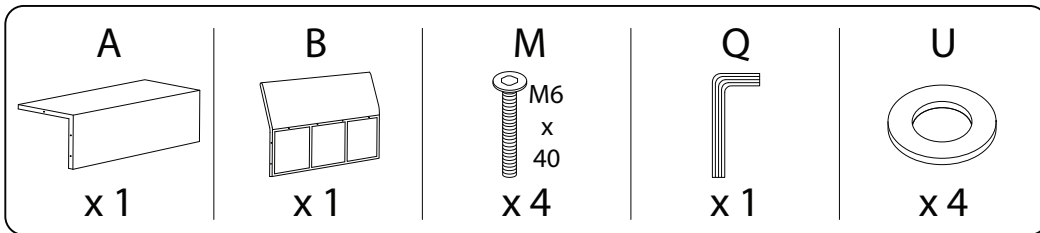
60'

2

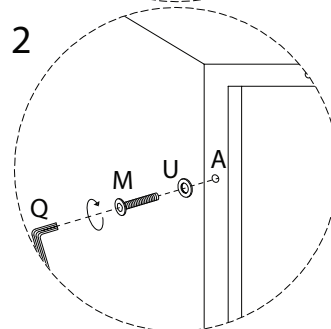
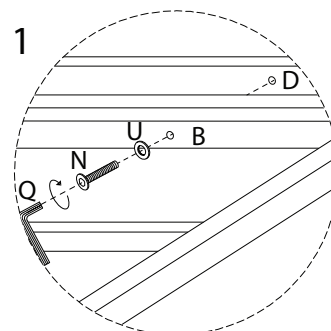
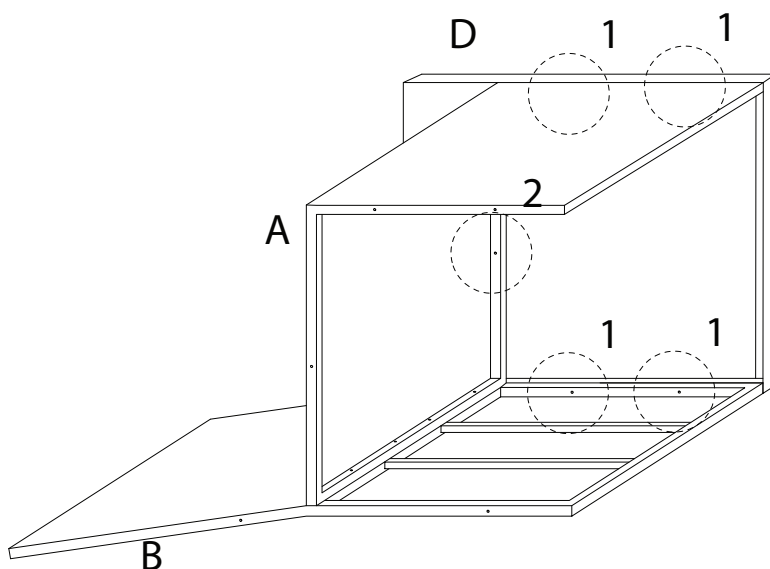
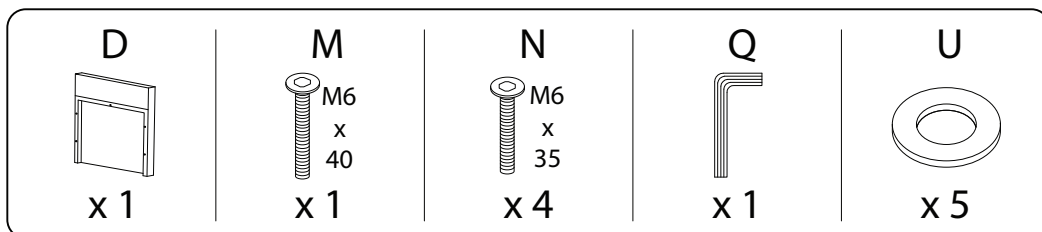
A



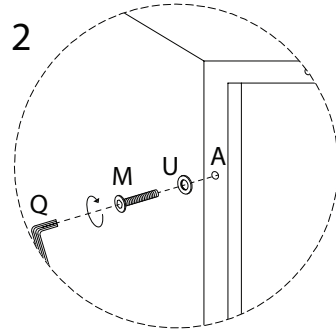
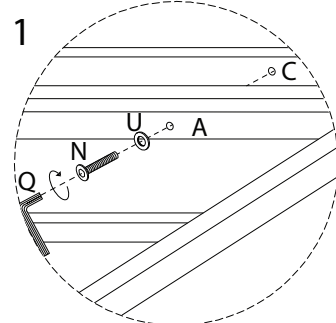
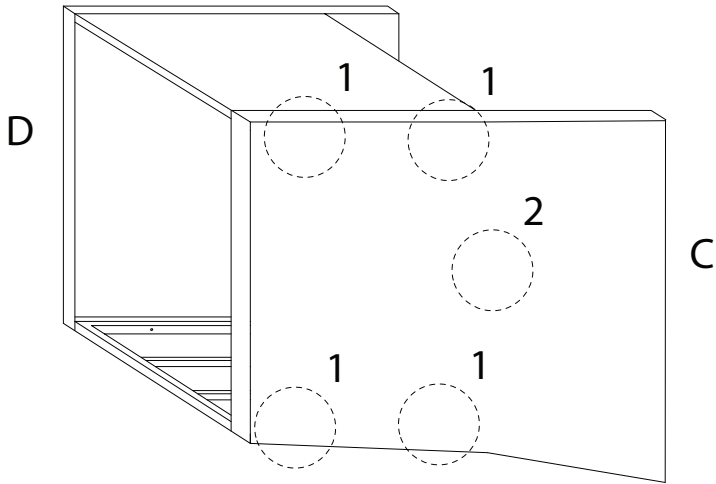
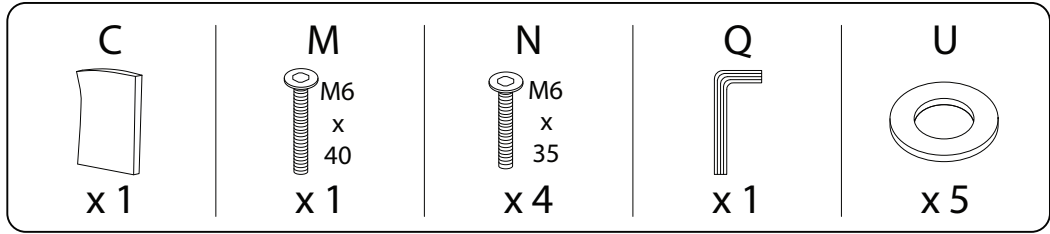
1



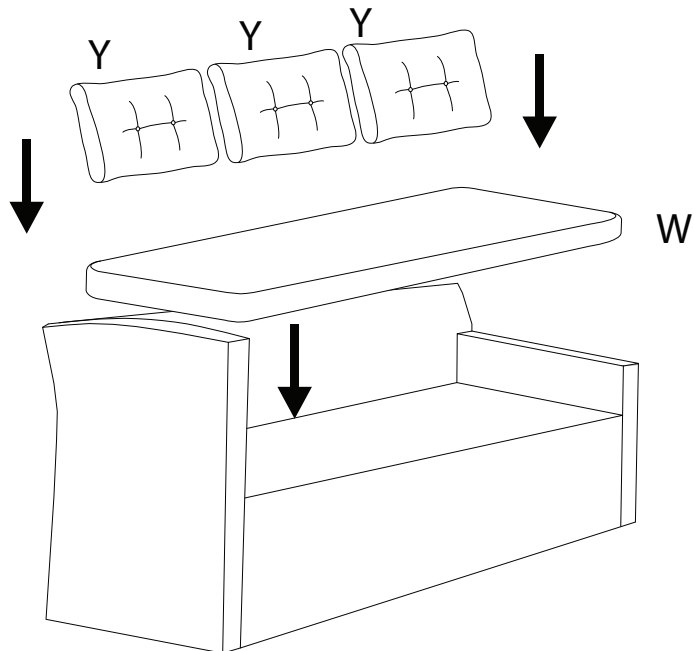
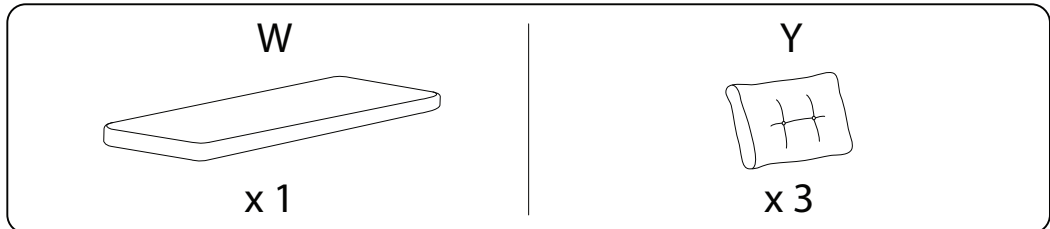
2



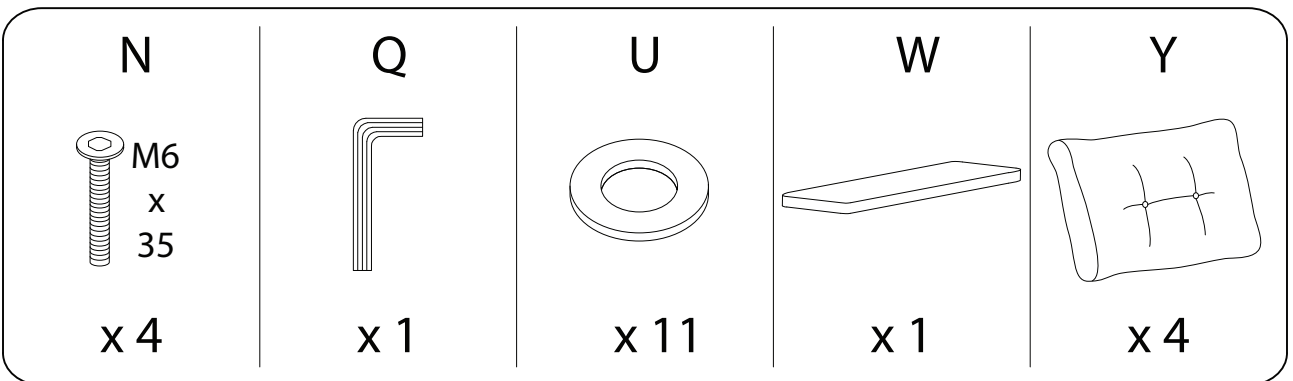
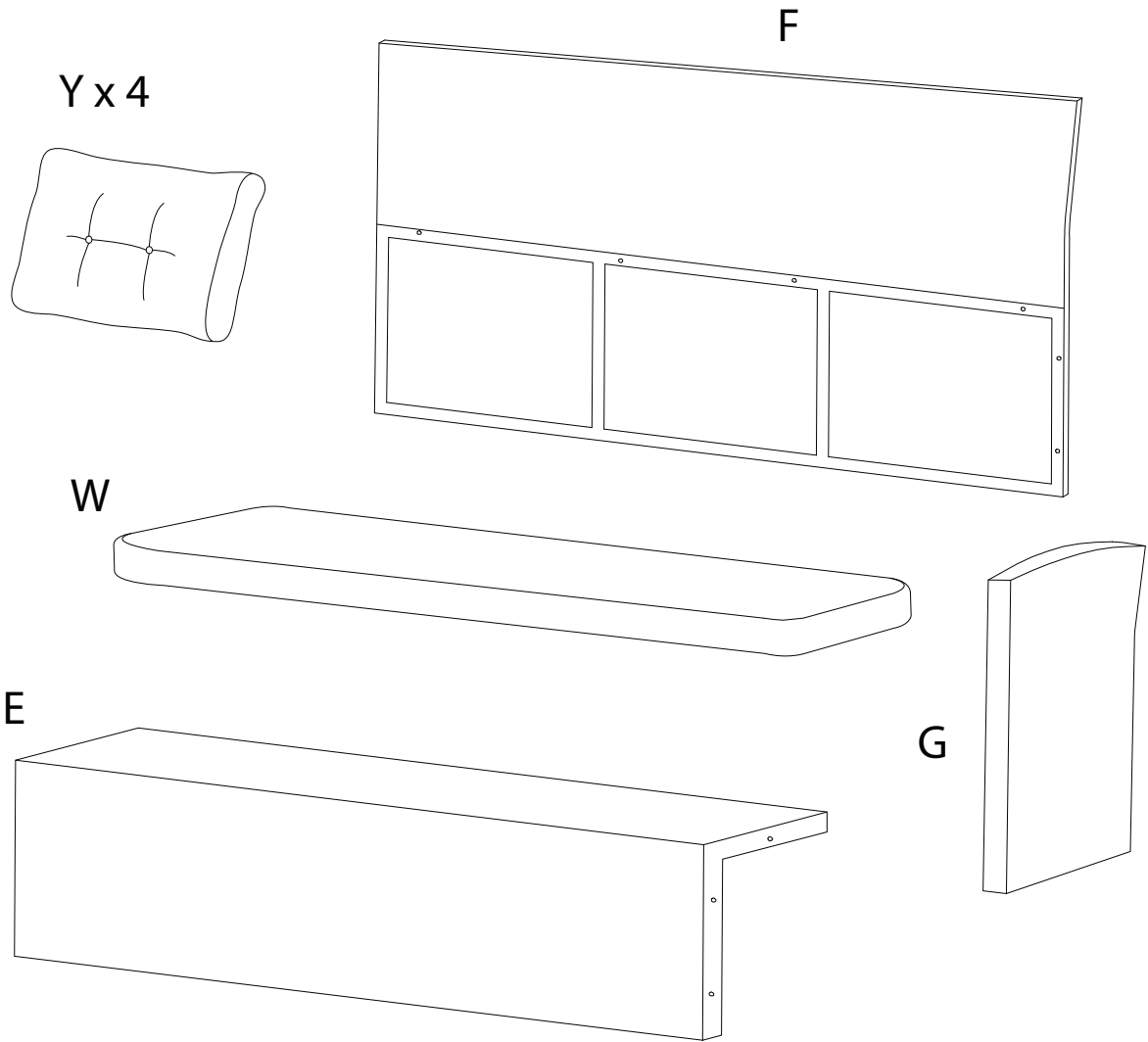
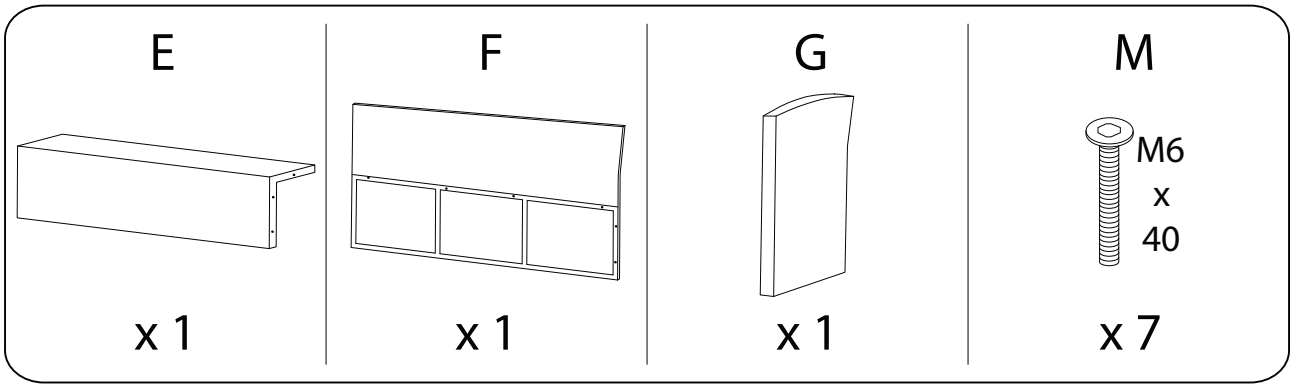
3



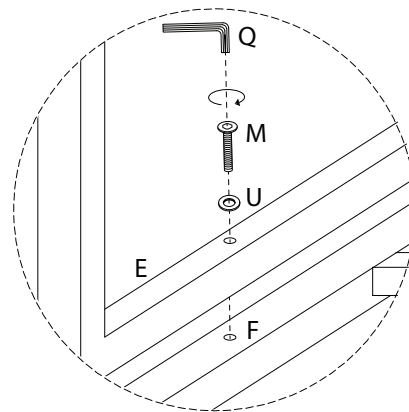
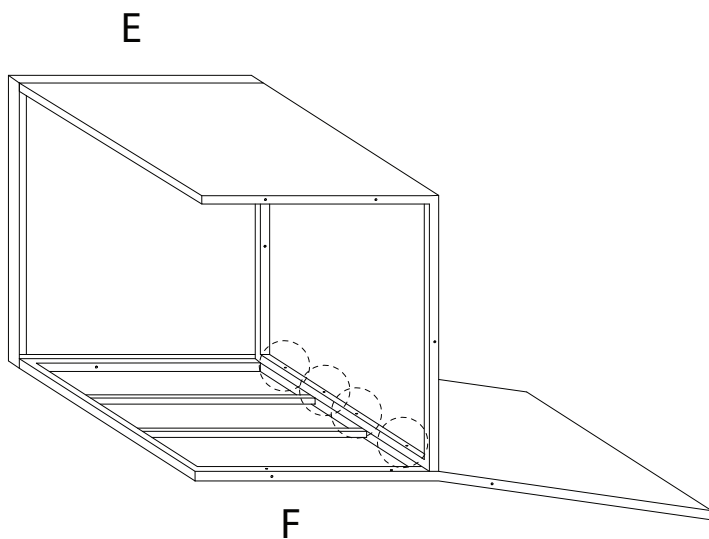
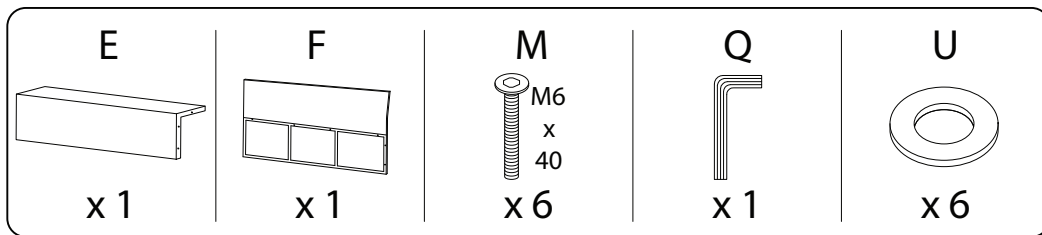
4



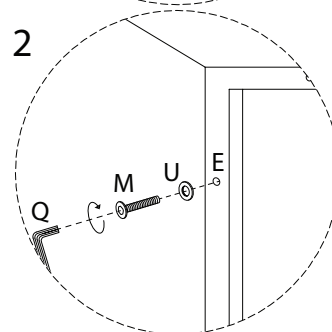
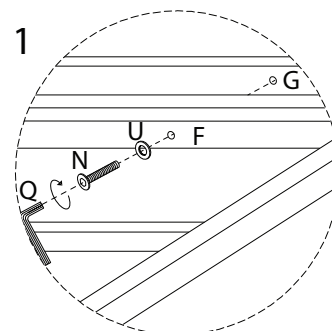
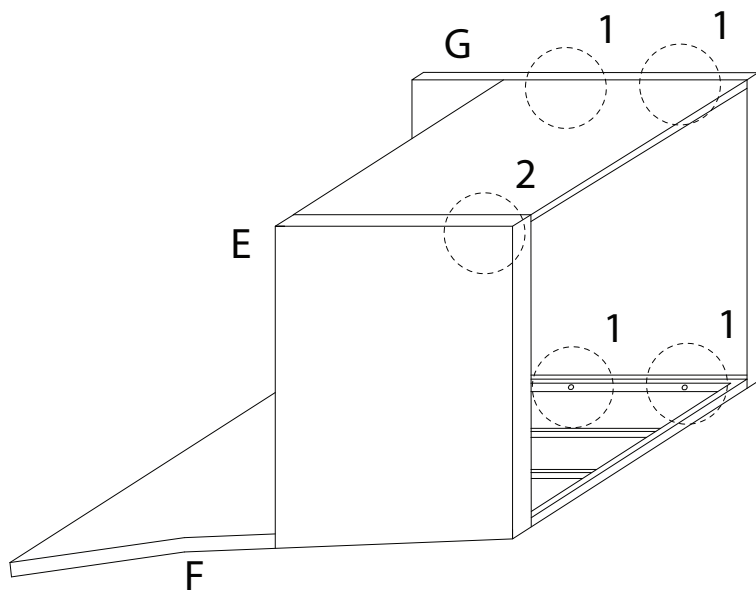
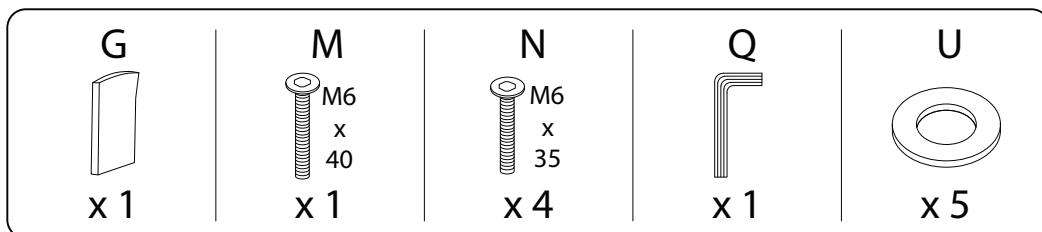
B



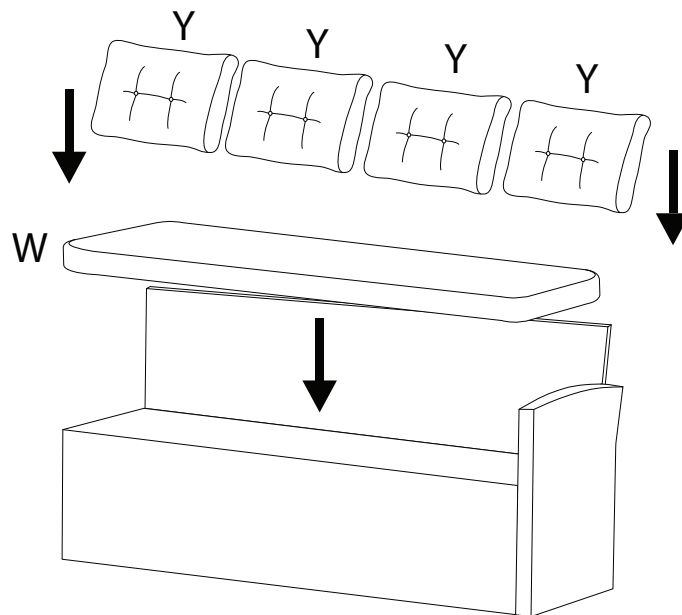
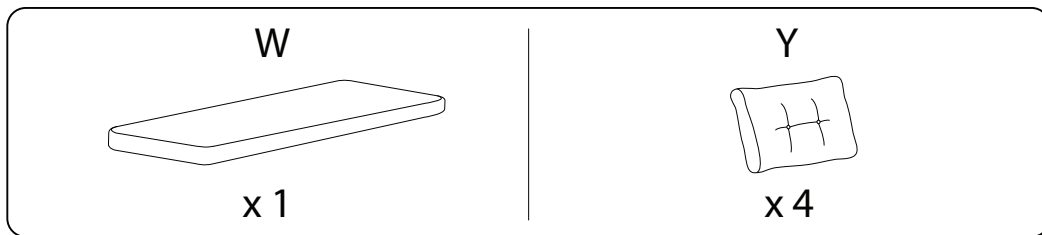
1



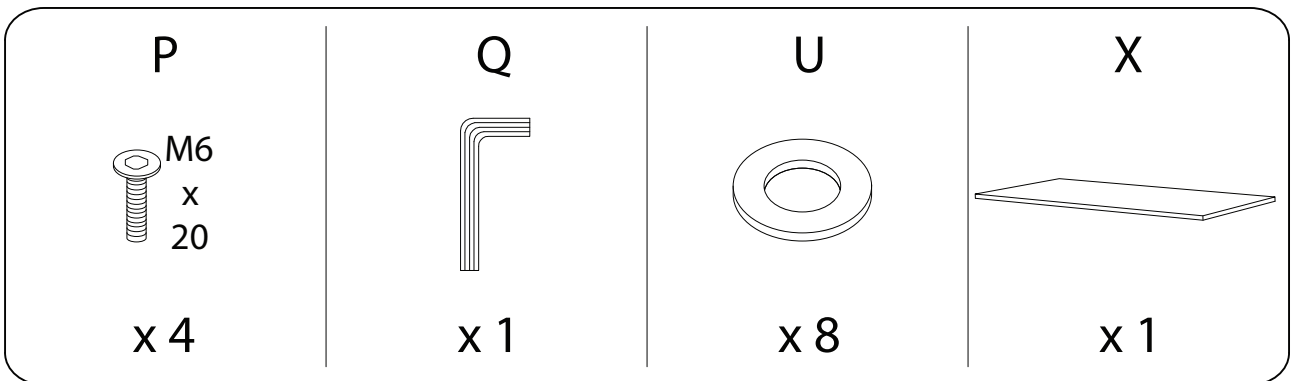
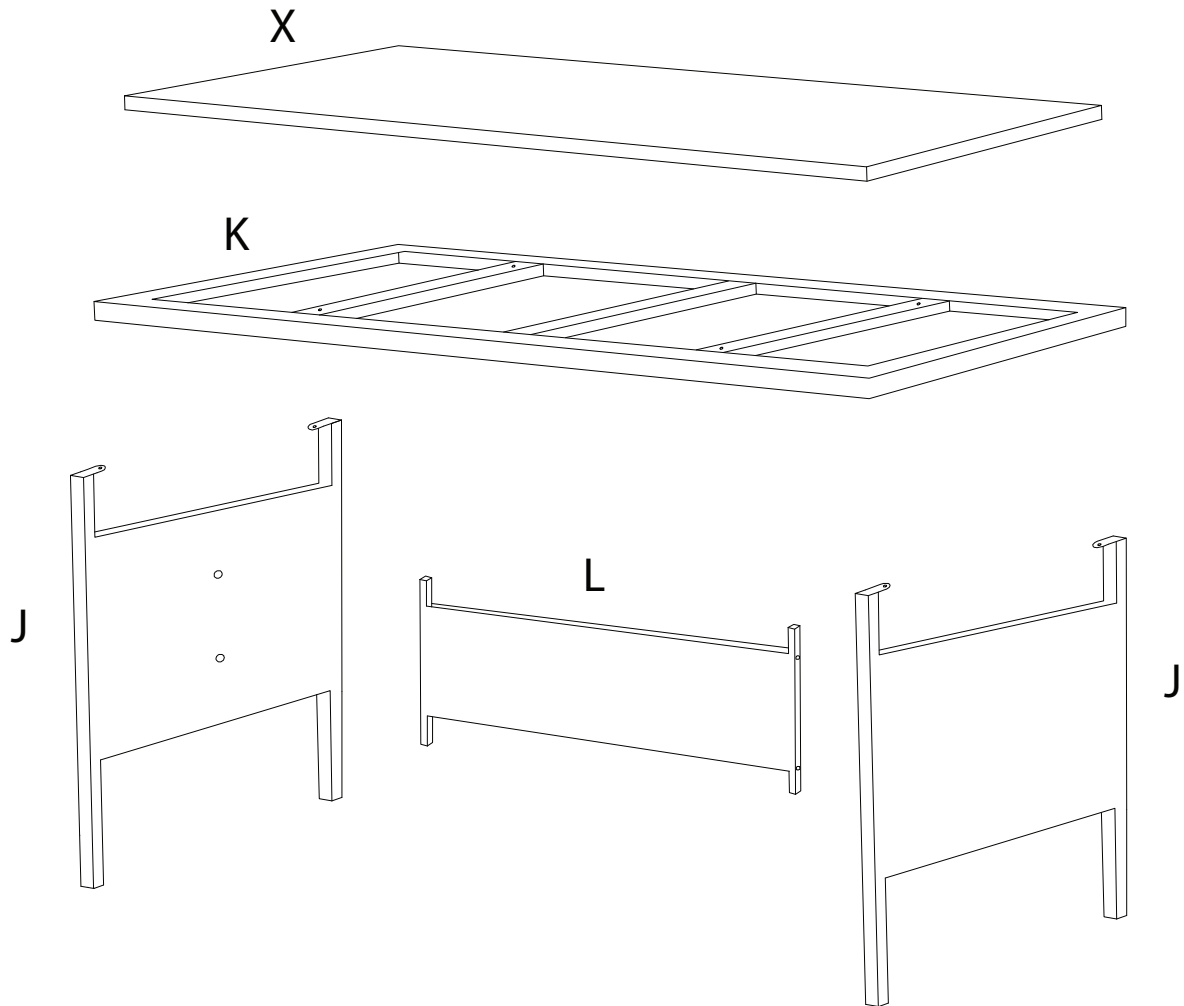
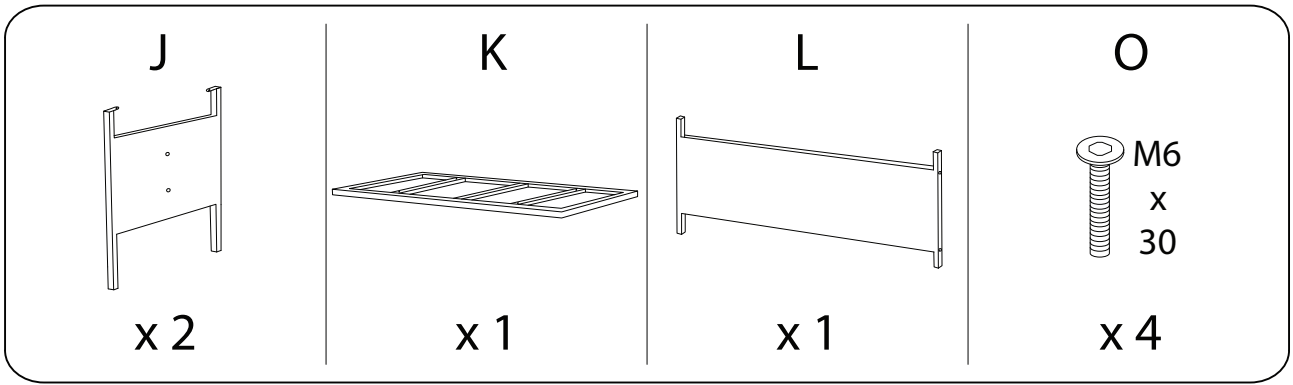
2



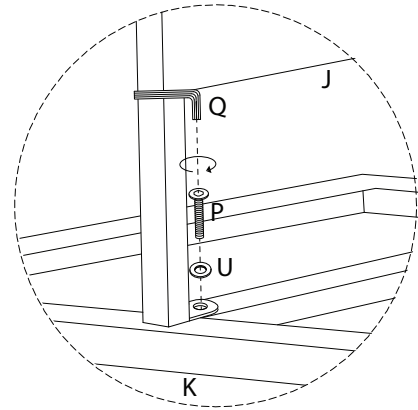
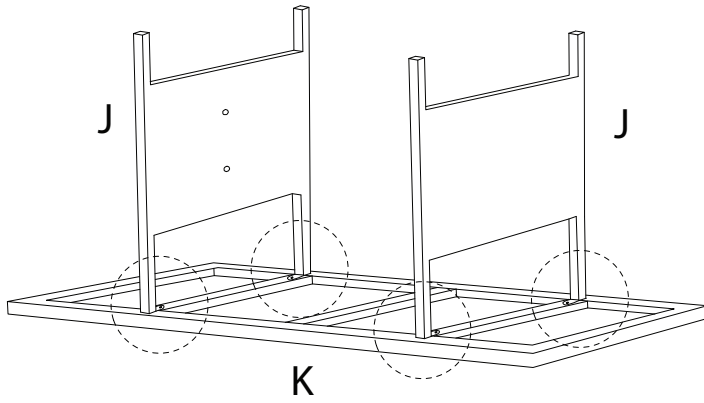
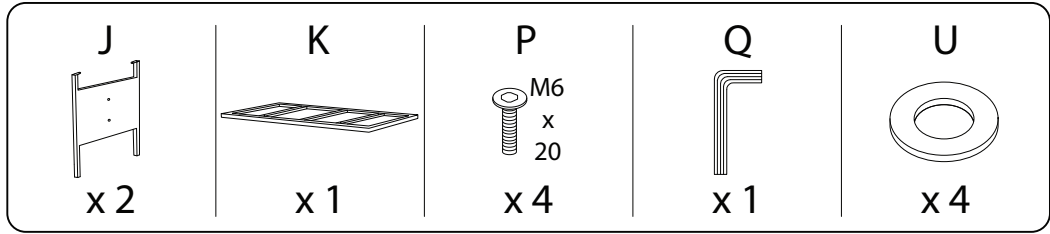
3



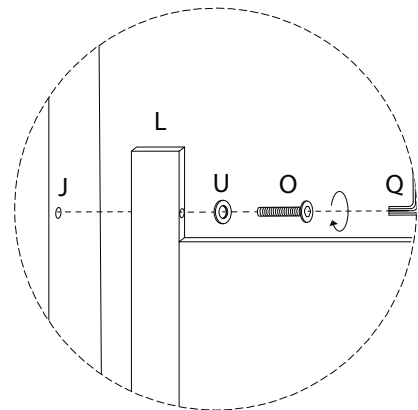
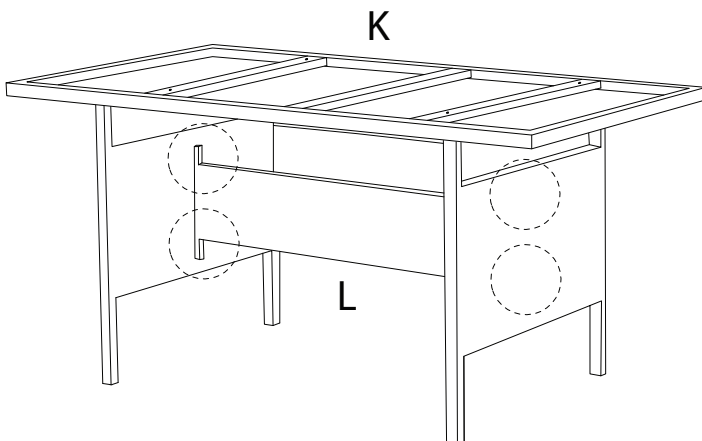
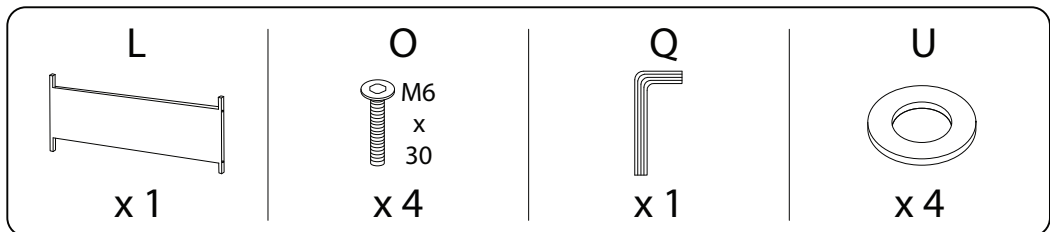
C



1



2



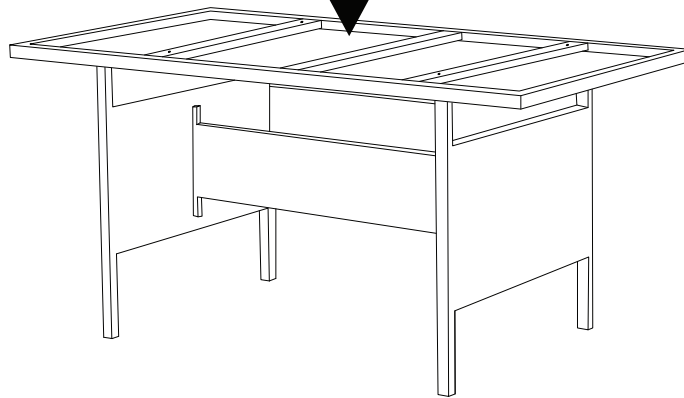
3

X

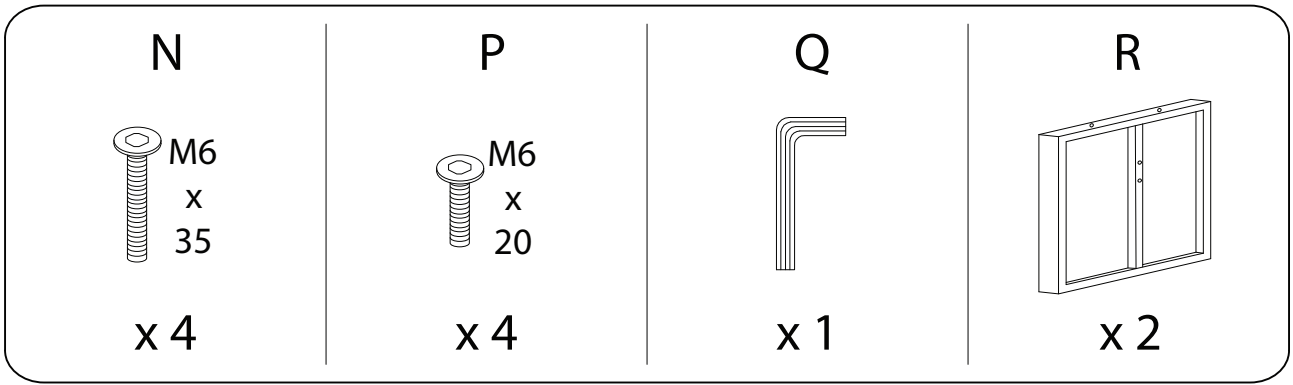


x 1

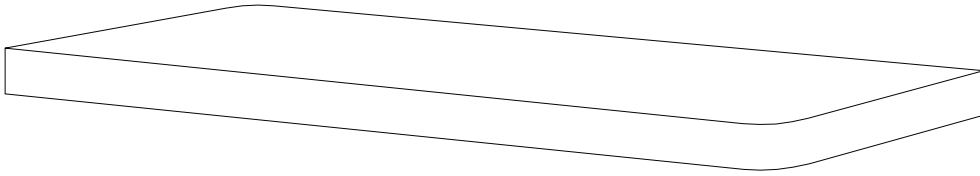
X



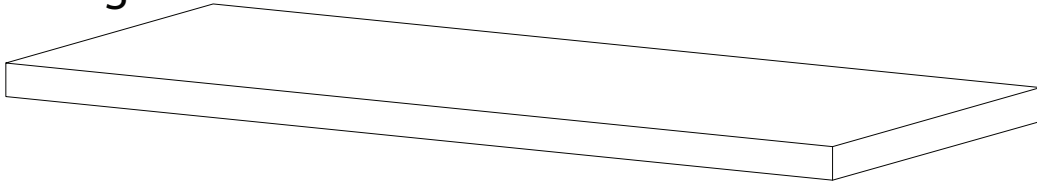
D



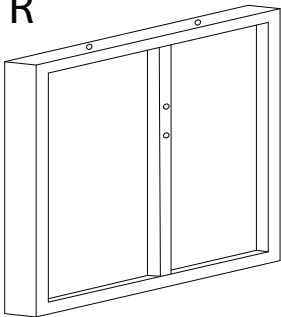
W



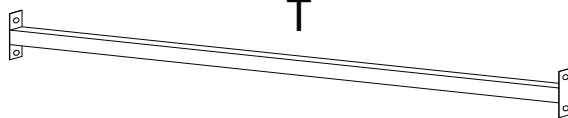
S



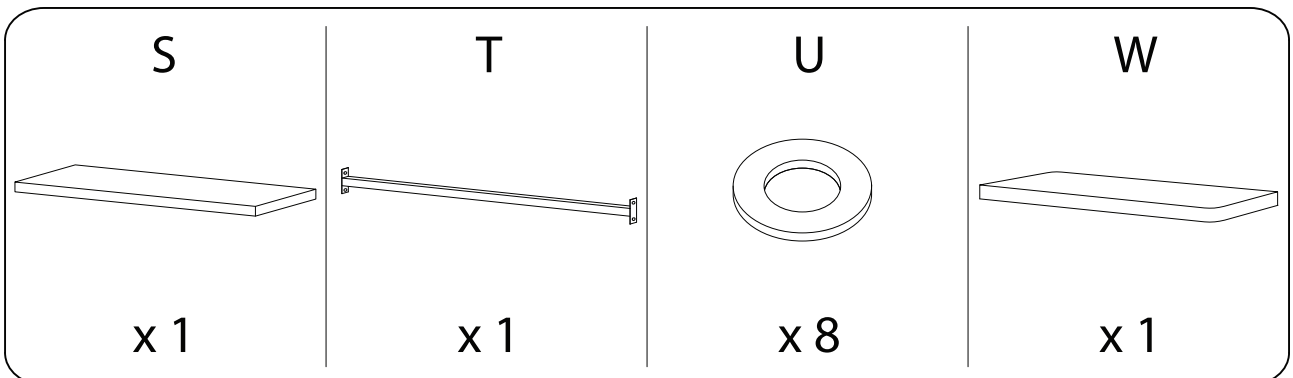
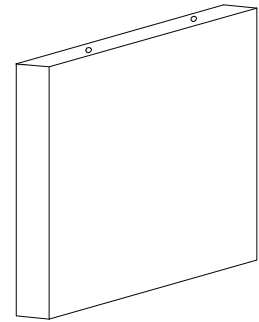
R



T



R



1

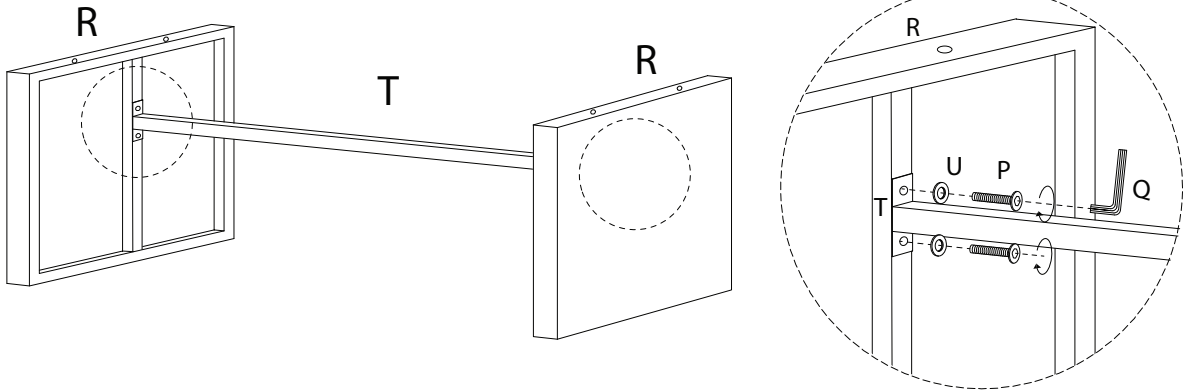
P
M6
x
20
x 4

Q
x 1

R
x 2

T
x 1

U
x 4



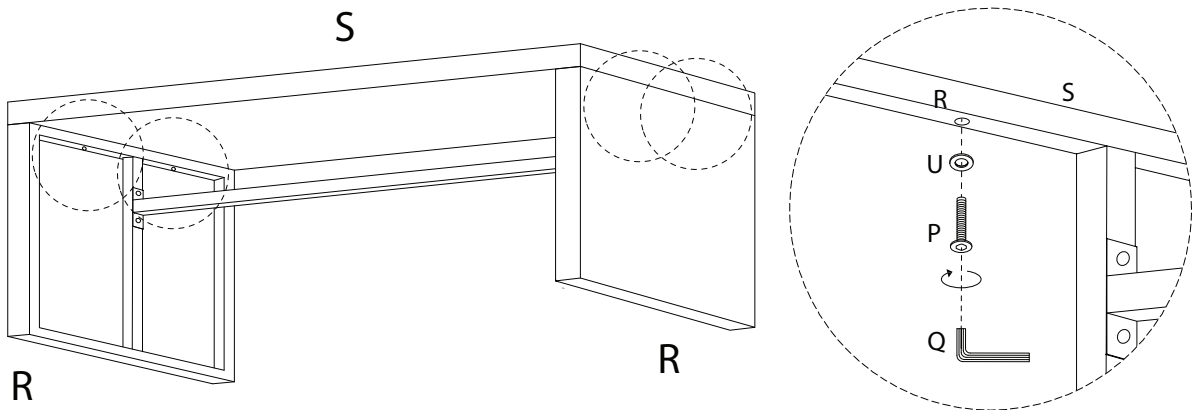
2

N
M6
x
35
x 4

Q
x 1

S
x 1

U
x 4



3

