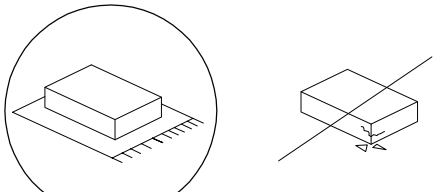


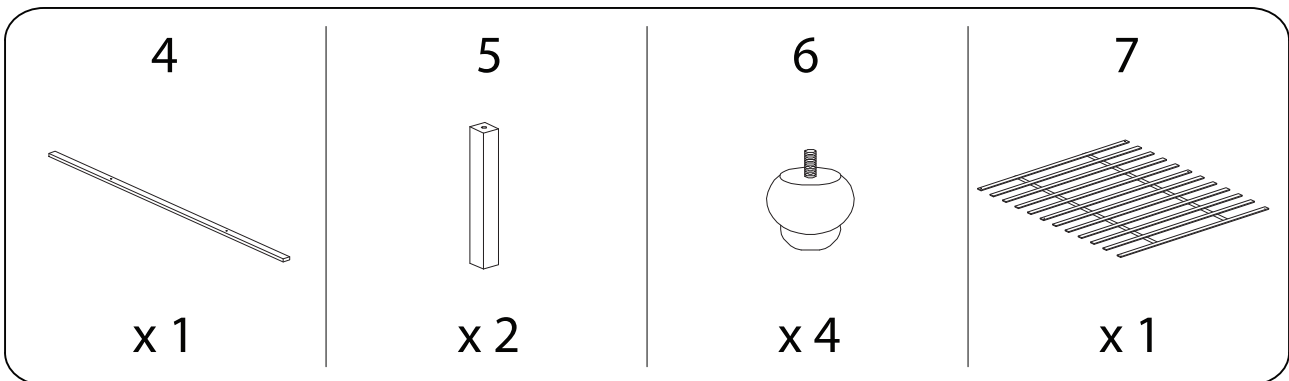
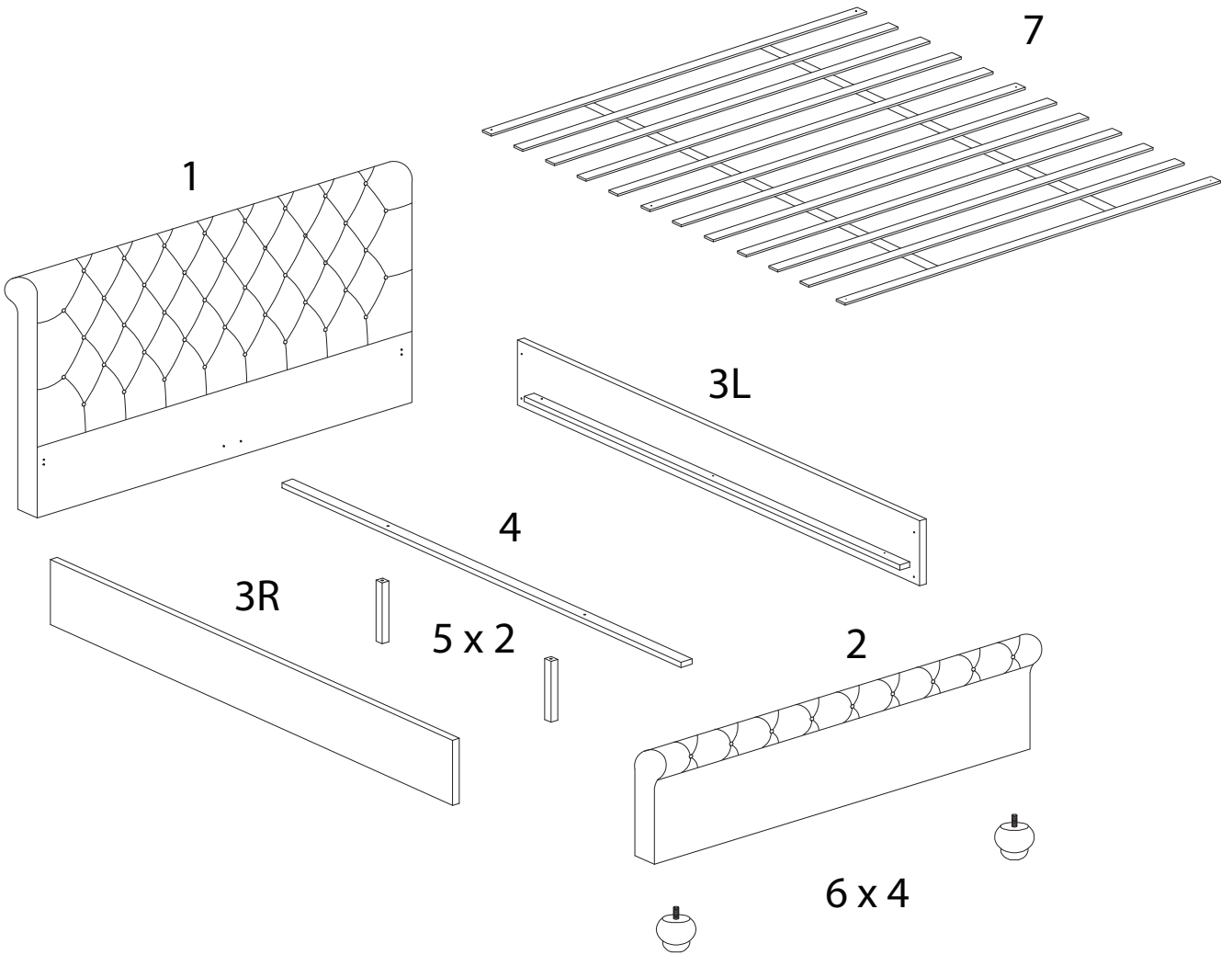
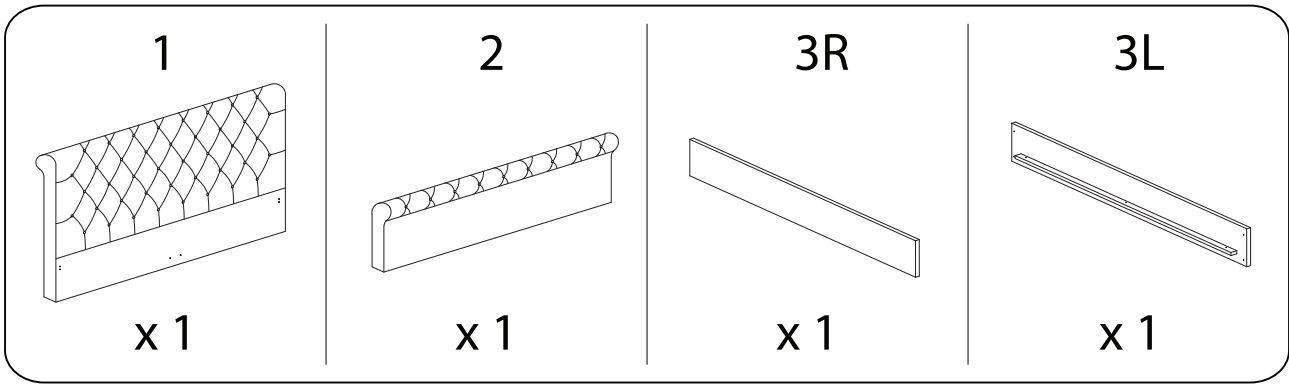
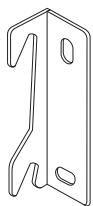

		45'
		
		2



A



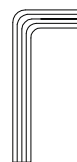
x 4

B



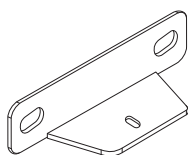
x 20

C



x 1

D



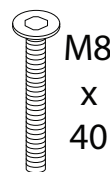
x 2

E



x 2

F



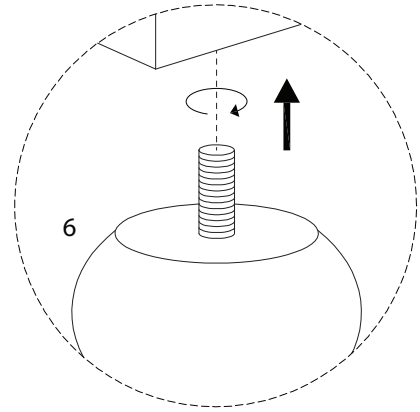
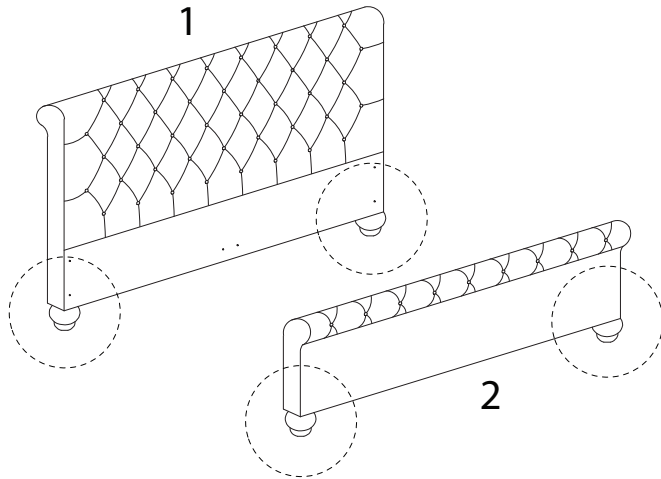
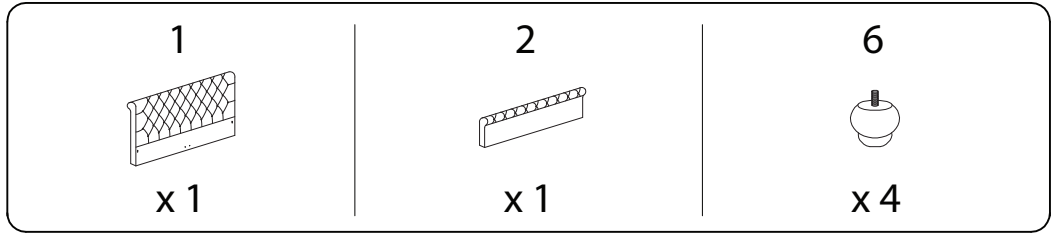
x 2

G

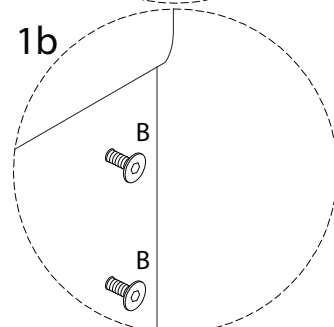
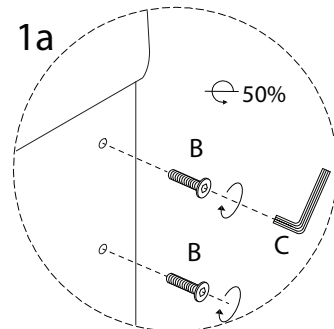
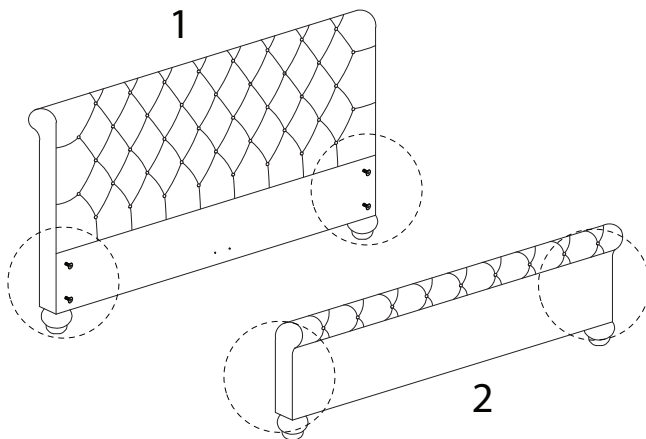
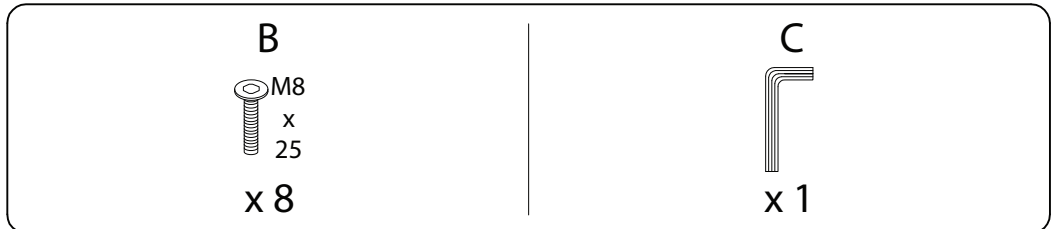


x 6

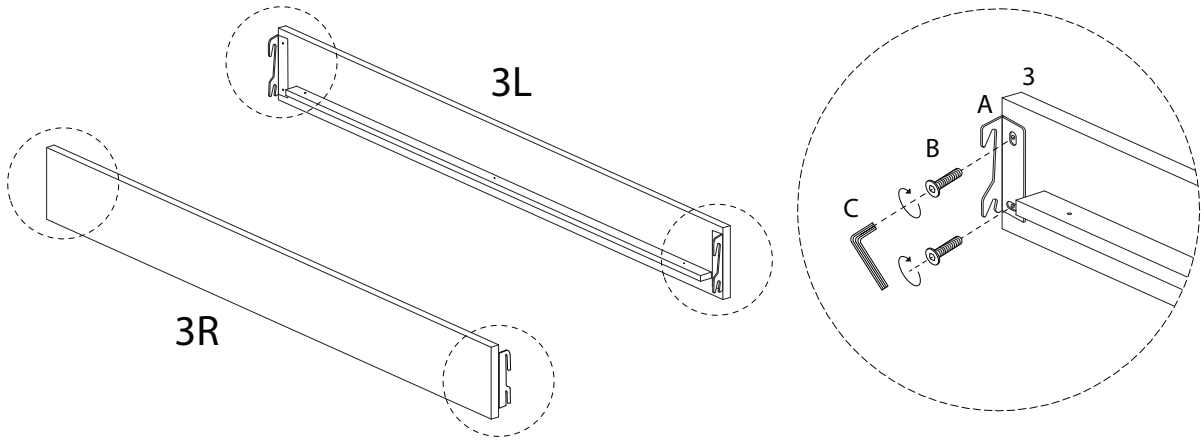
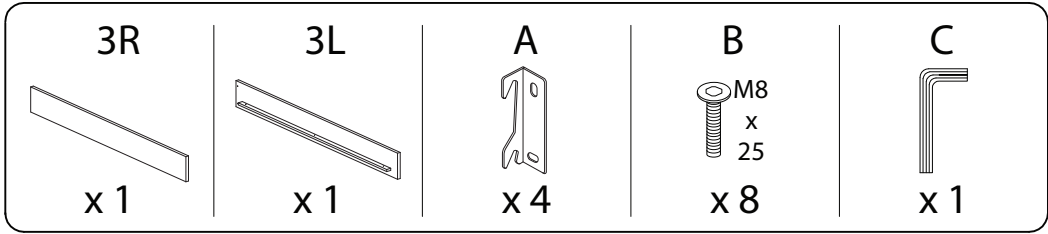
1



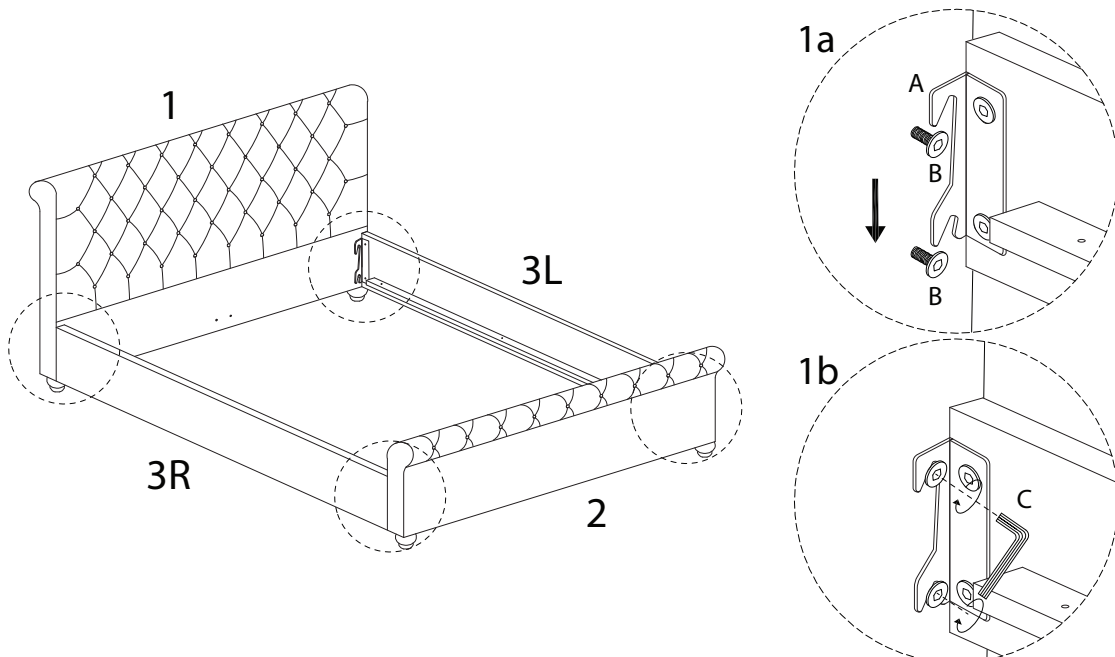
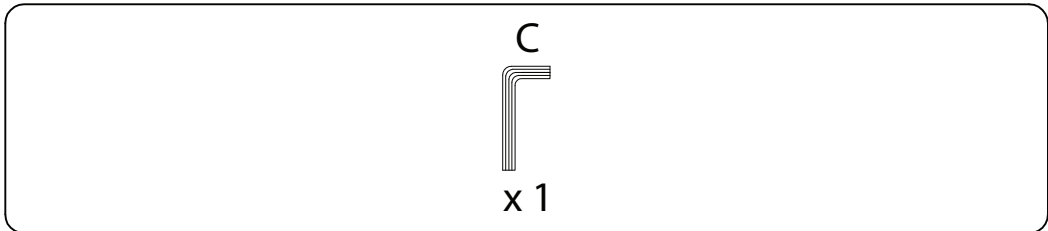
2



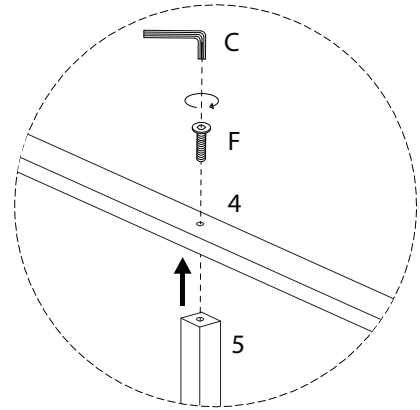
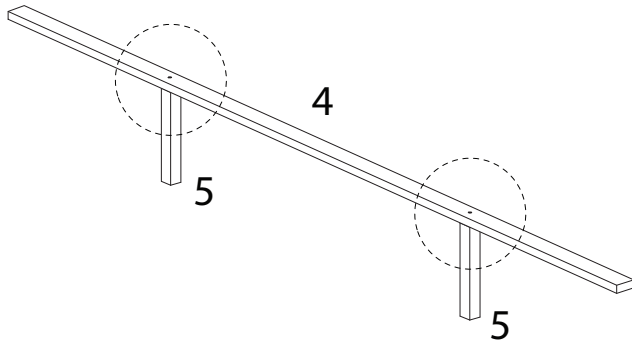
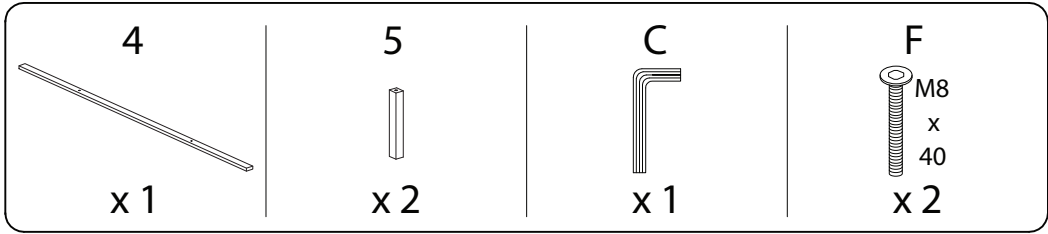
3



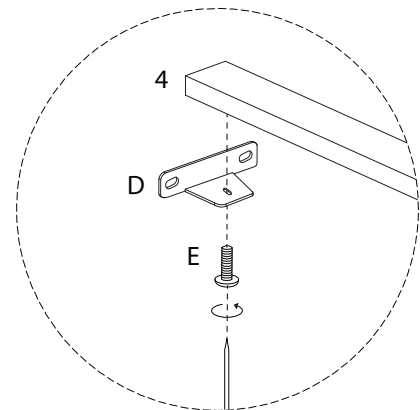
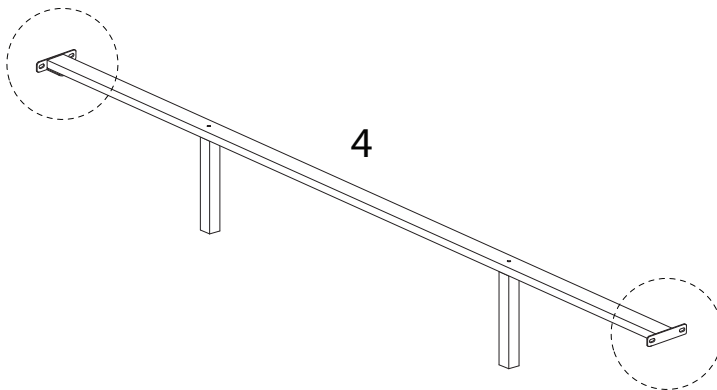
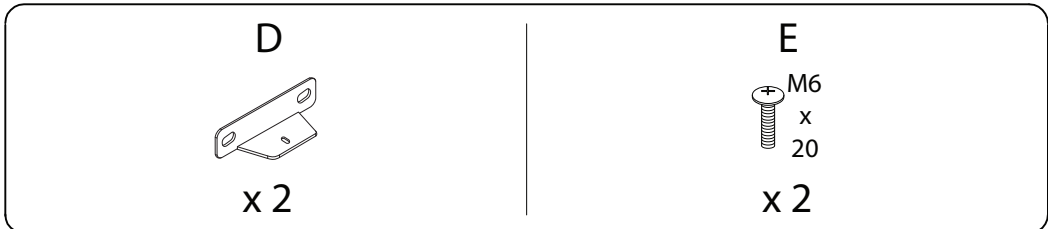
4



5

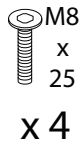


6

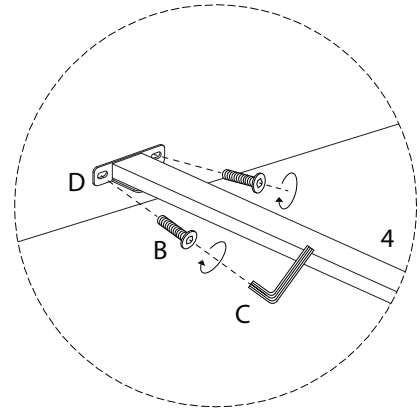
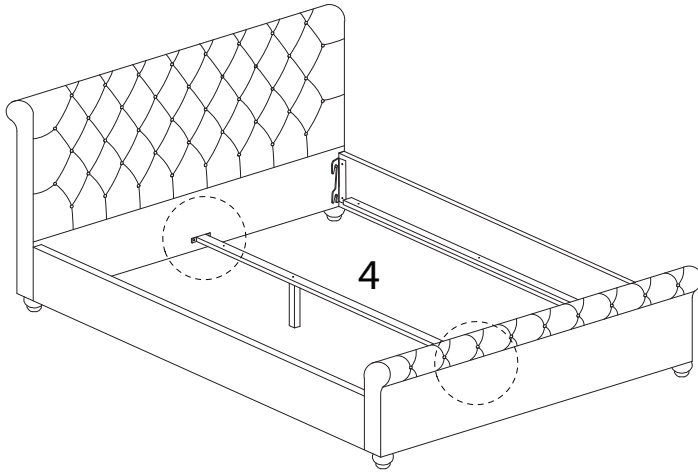
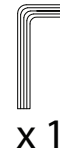


7

B

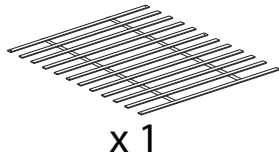


C



8

7



G

