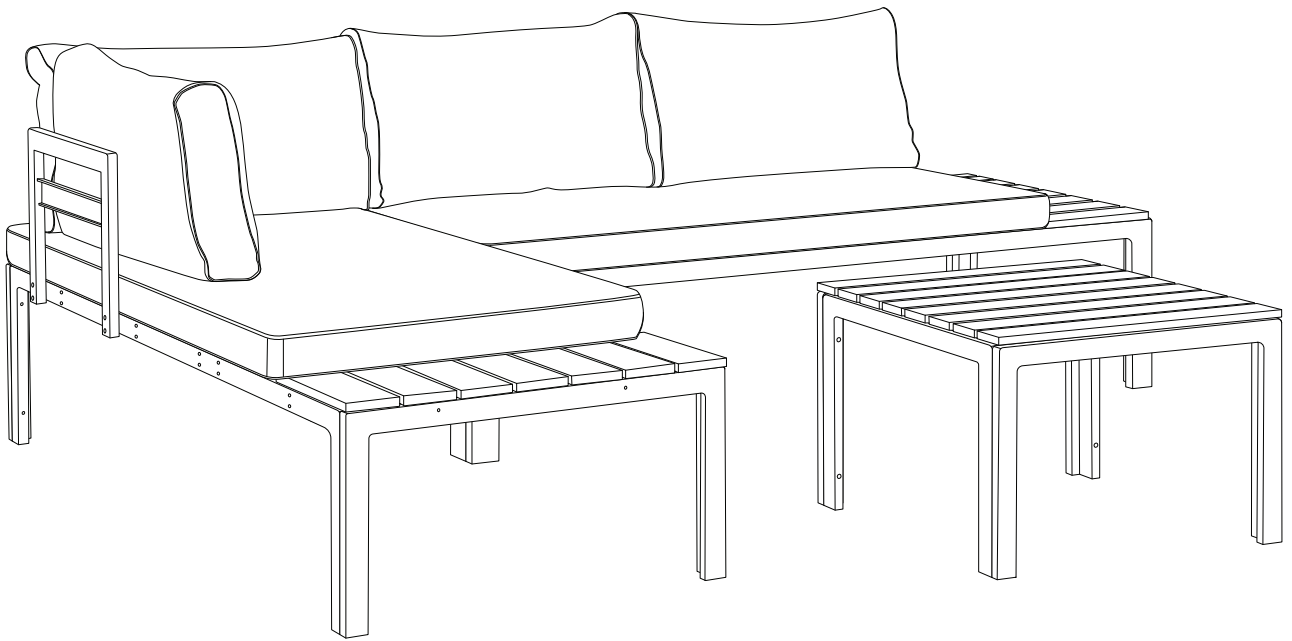
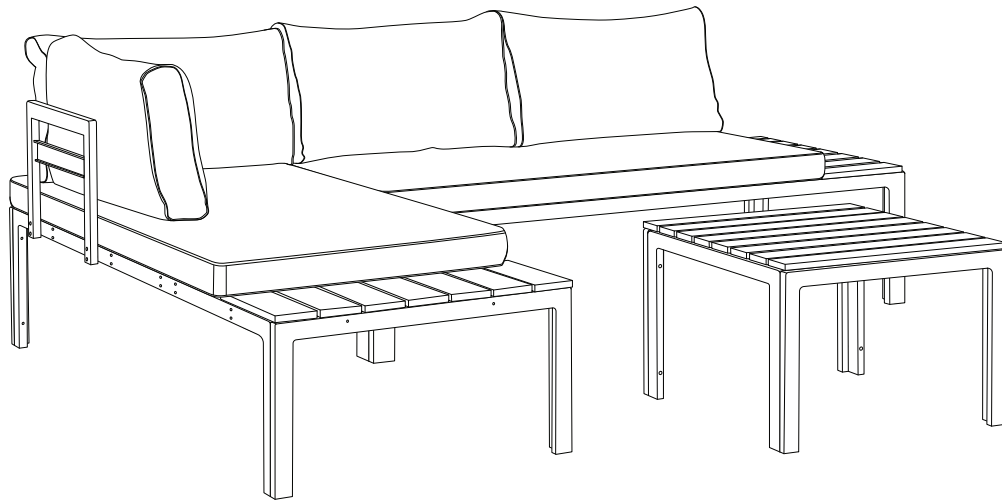
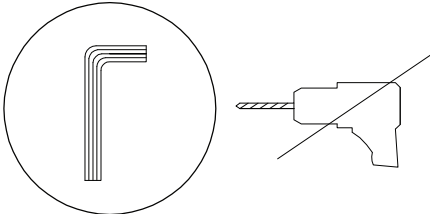
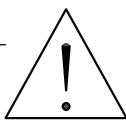
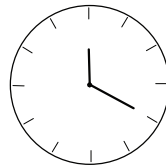
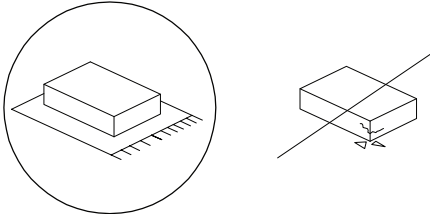
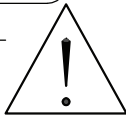

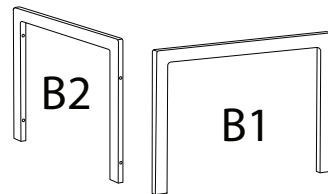
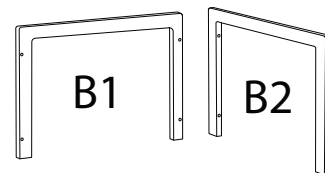
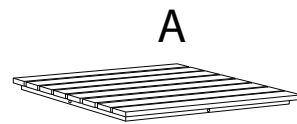
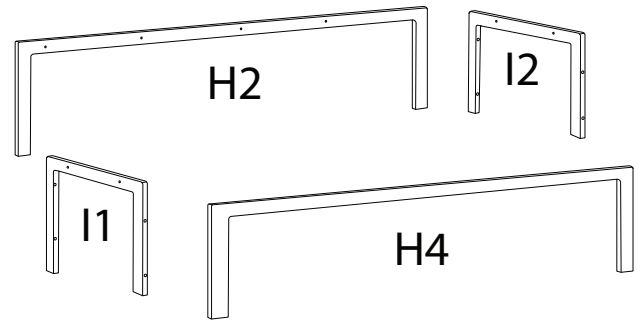
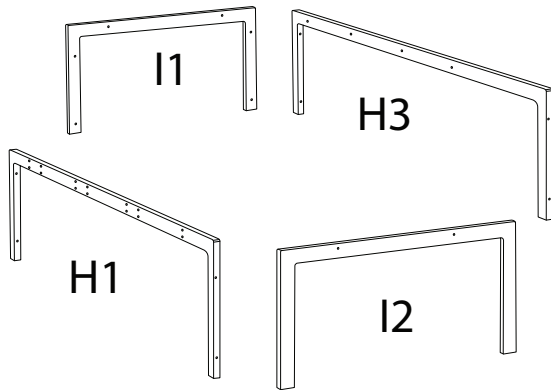
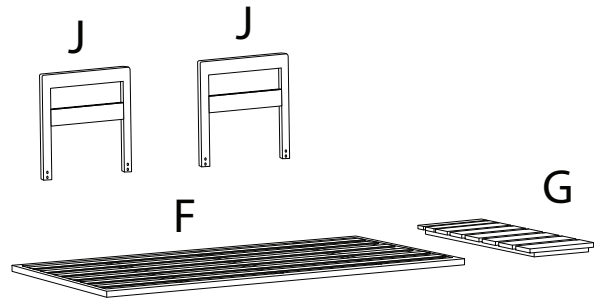
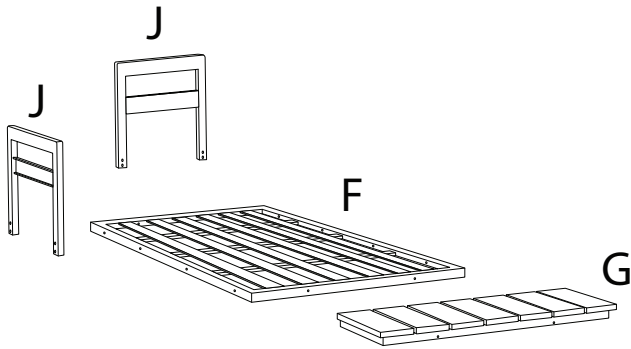
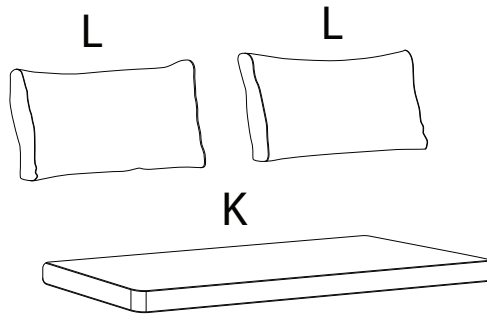
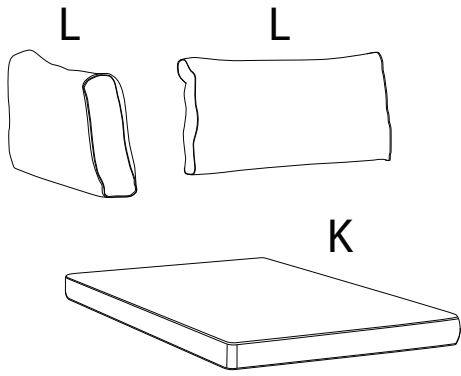


PIENZA



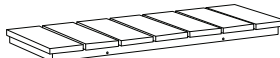
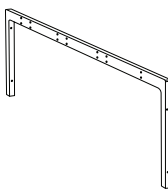
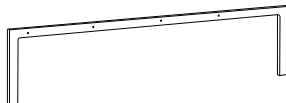
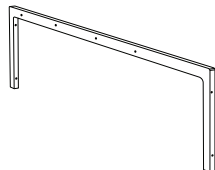

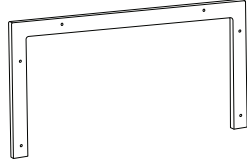
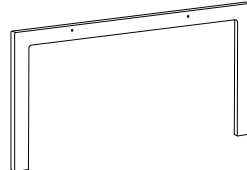
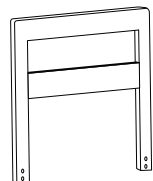
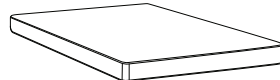
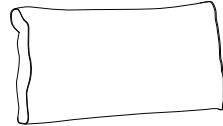
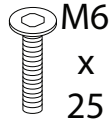
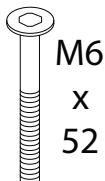
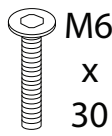
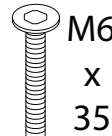




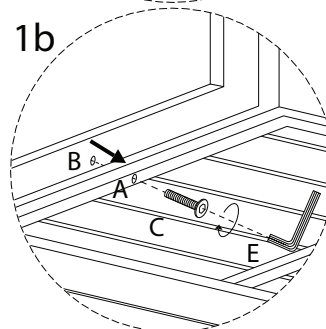
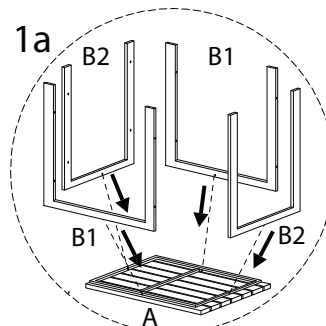
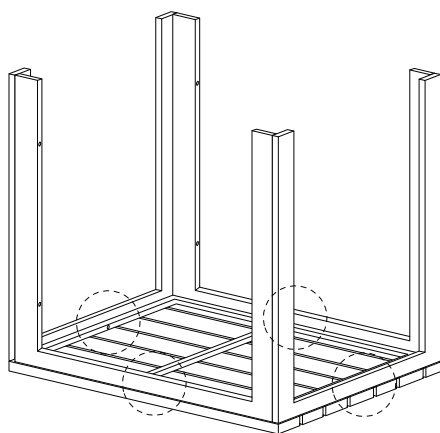
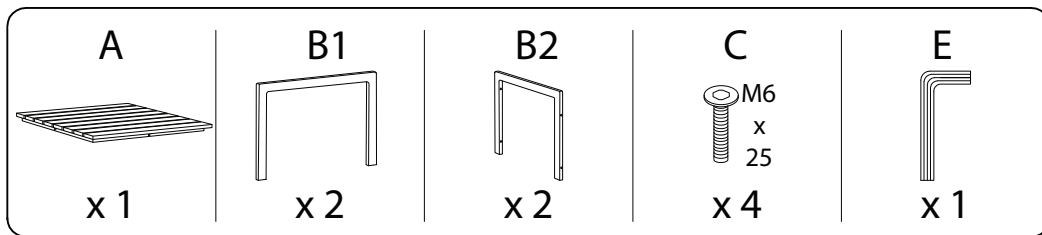
		
		80'
		
		2



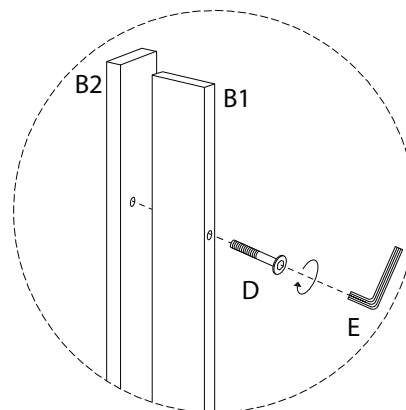
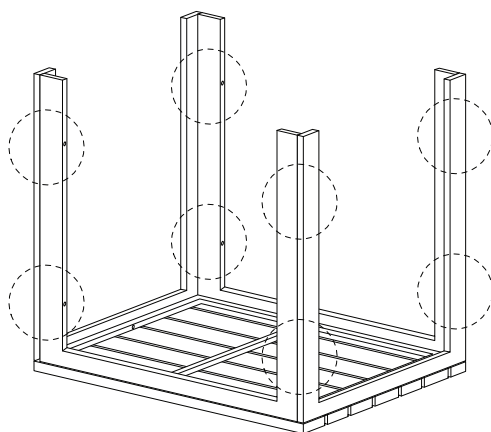
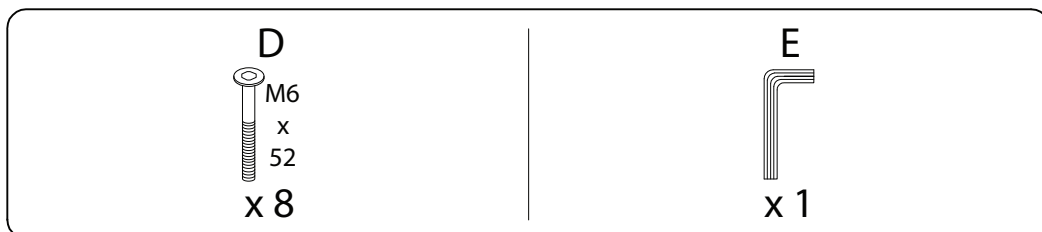
A	B1	B2	C	D
x 1	x 2	x 2	x 4	x 8

<p>E</p>  <p>x 1</p>	<p>F</p>  <p>x 2</p>	<p>G</p>  <p>x 2</p>	<p>H1</p>  <p>x 1</p>
<p>H2</p>  <p>x 1</p>	<p>H3</p>  <p>x 1</p>	<p>H4</p>  <p>x 1</p>	<p>I1</p>  <p>x 2</p>
<p>I2</p>  <p>x 2</p>	<p>J</p>  <p>x 4</p>	<p>K</p>  <p>x 2</p>	<p>L</p>  <p>x 4</p>
<p>M</p>  <p>x 20</p>	<p>N</p>  <p>x 16</p>	<p>O</p>  <p>x 8</p>	<p>P</p>  <p>x 16</p>

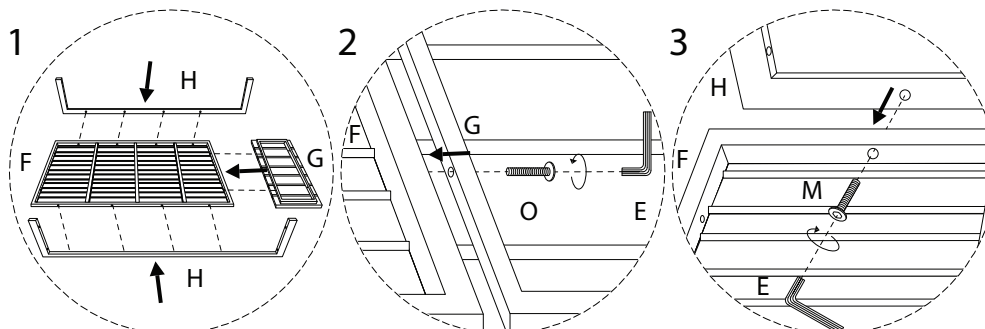
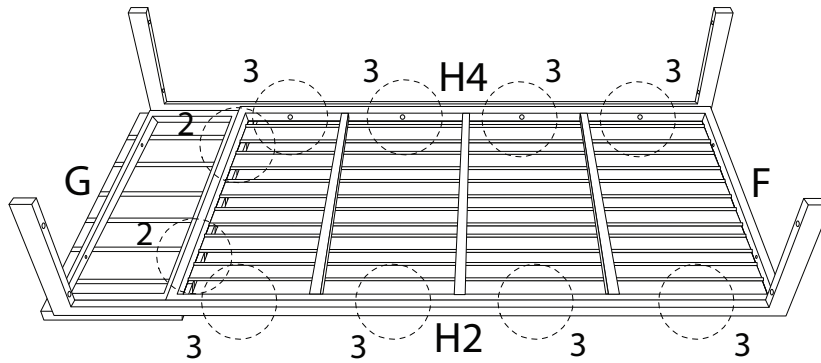
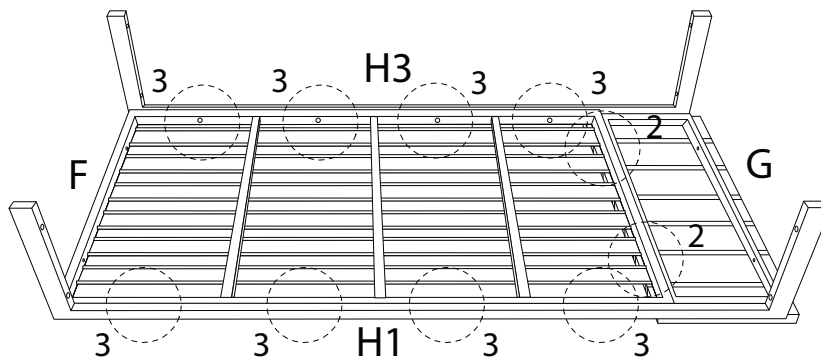
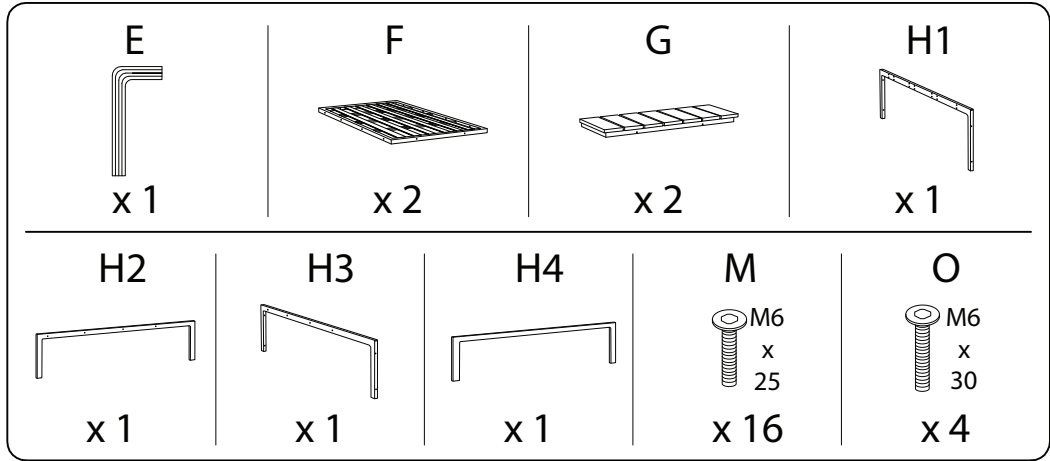
1



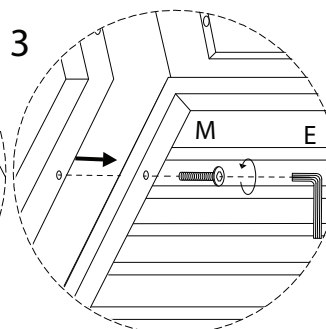
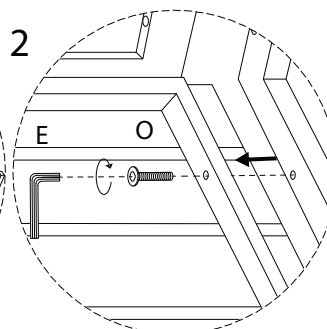
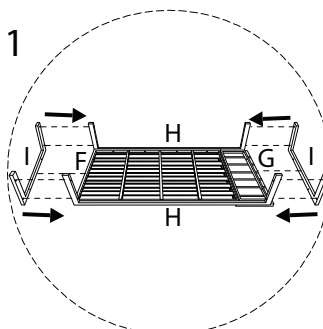
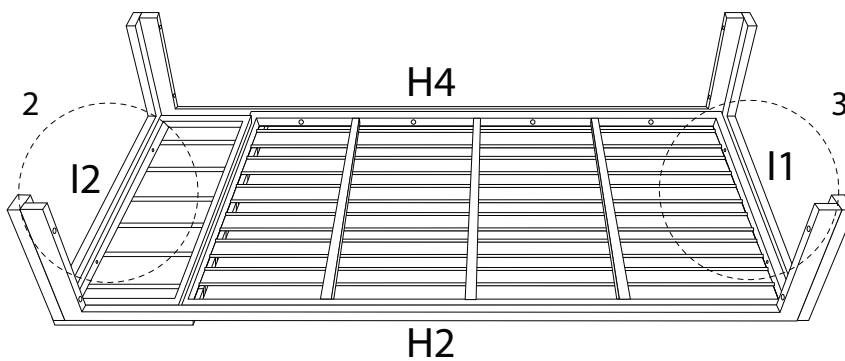
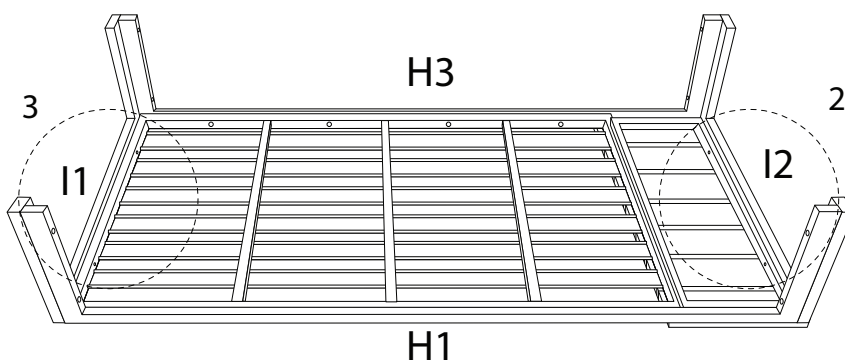
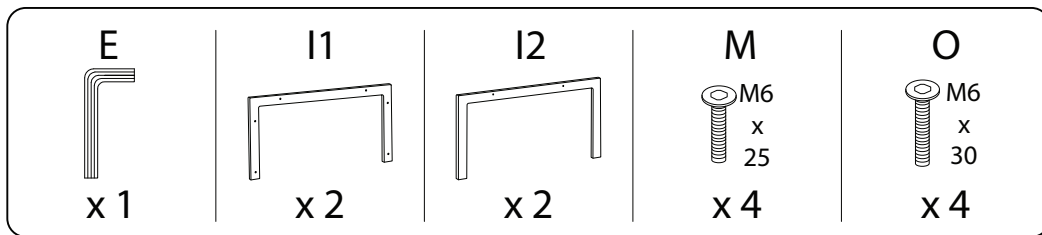
2



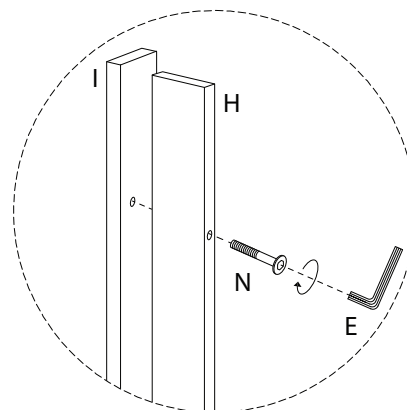
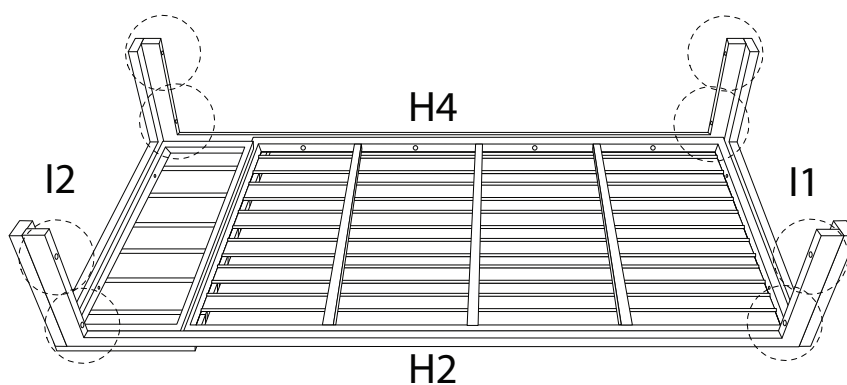
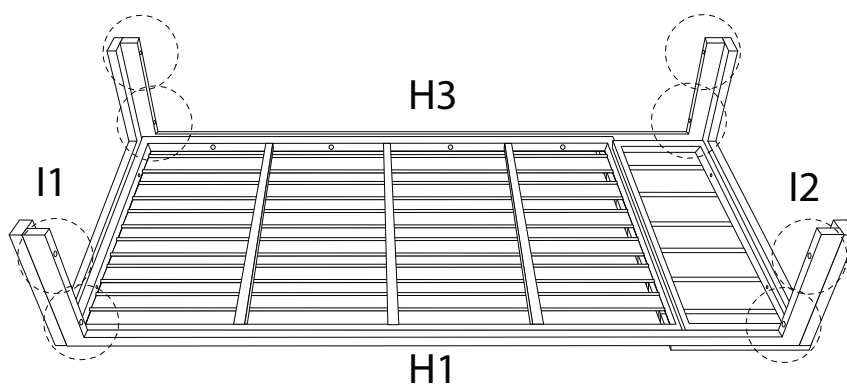
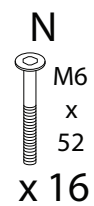
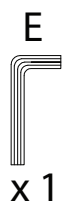
3



4



5

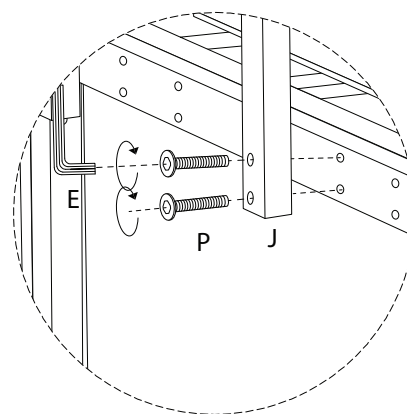
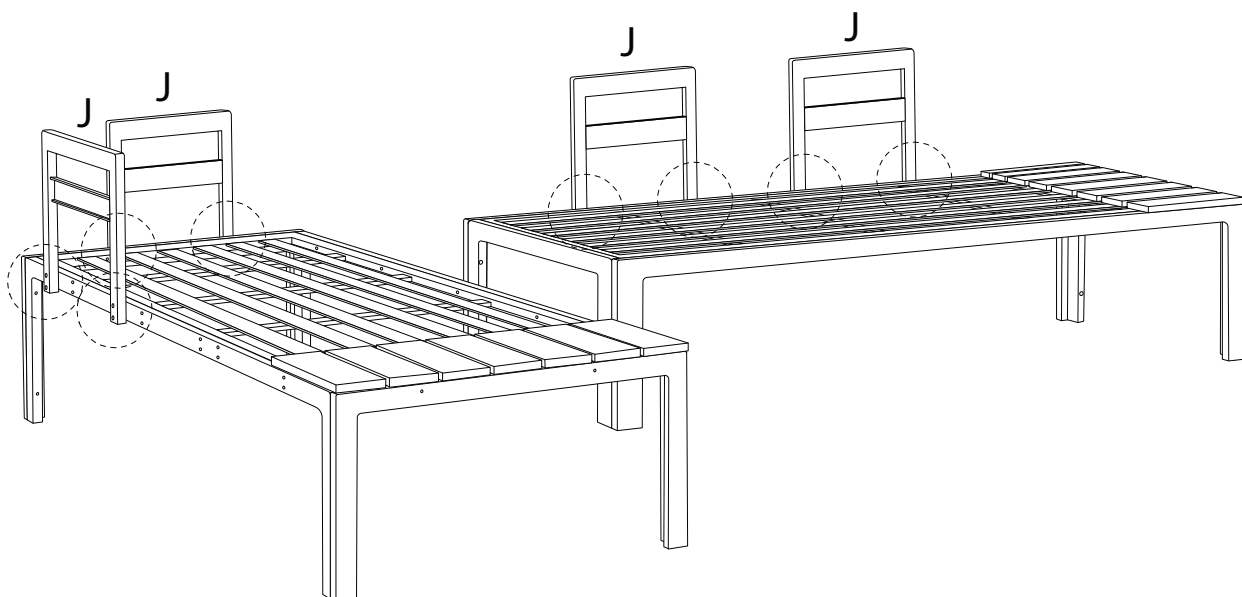


6

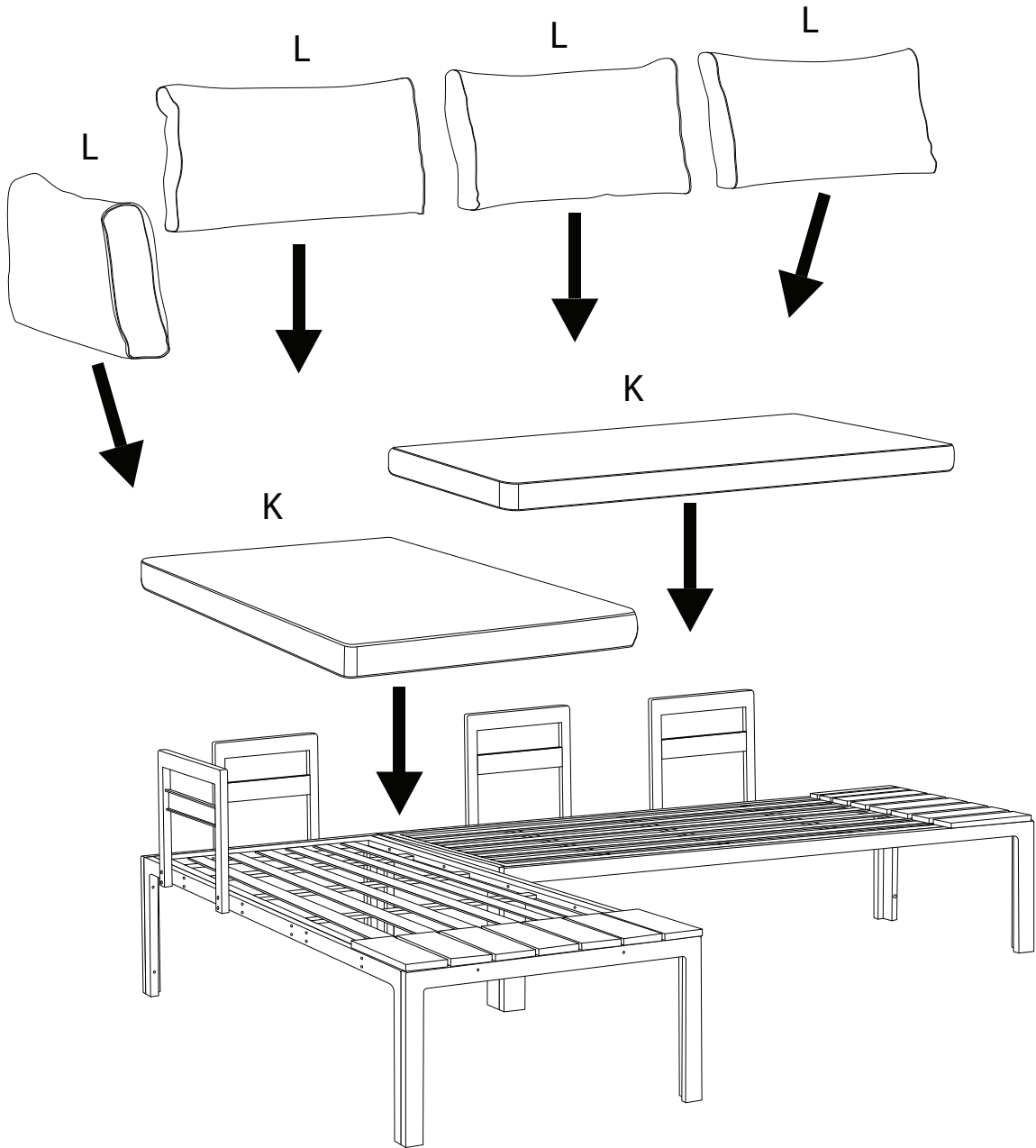
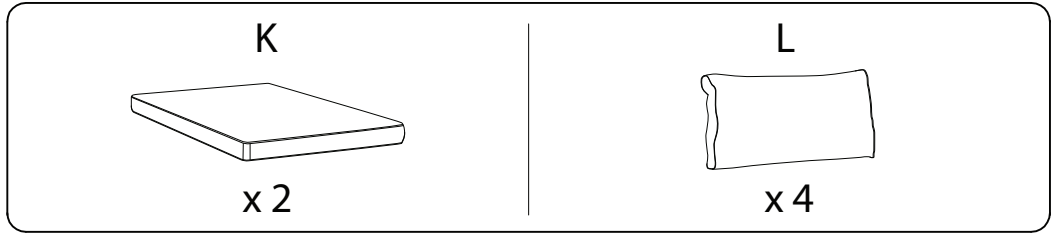
E
x 1

J
x 4

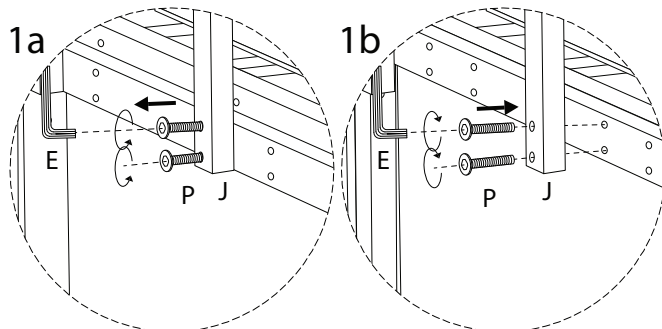
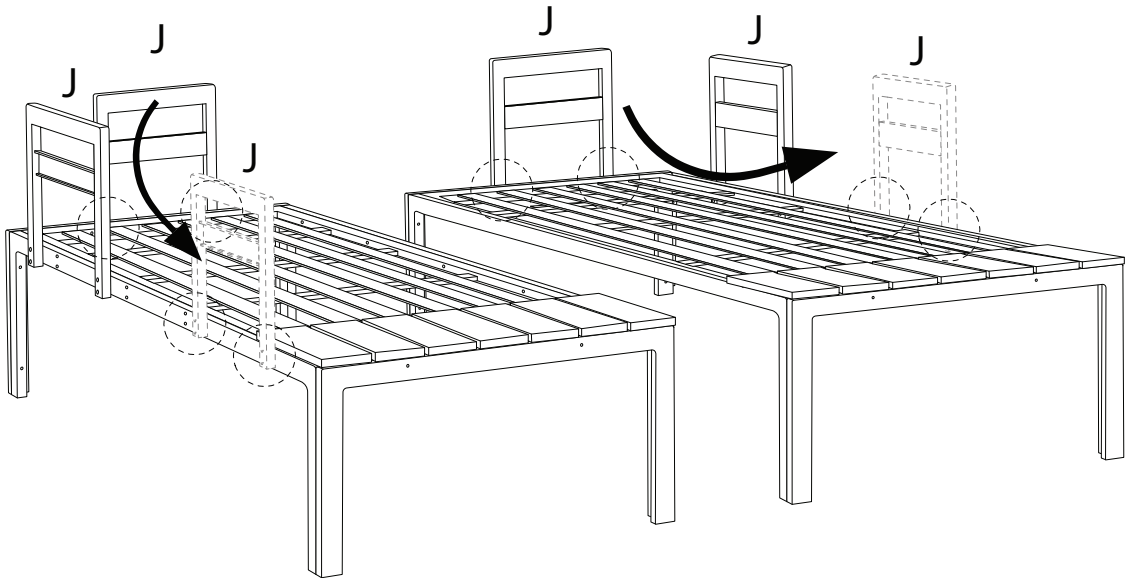
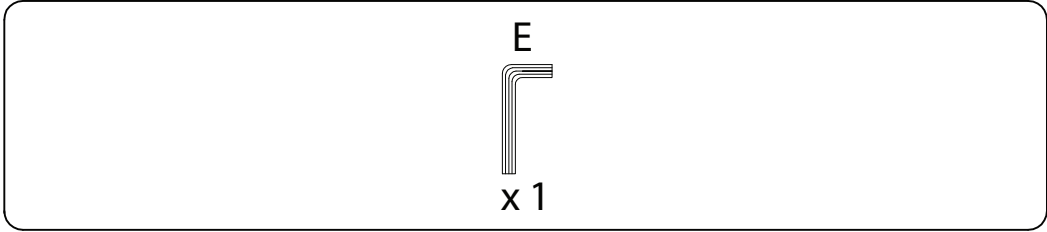
P
M6
x
35
x 16



7



!



!

