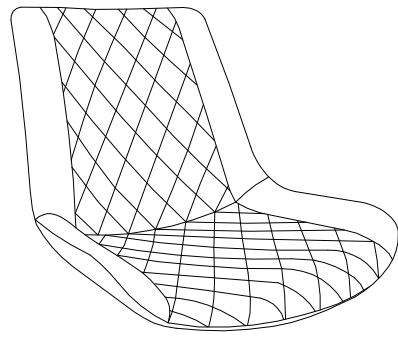
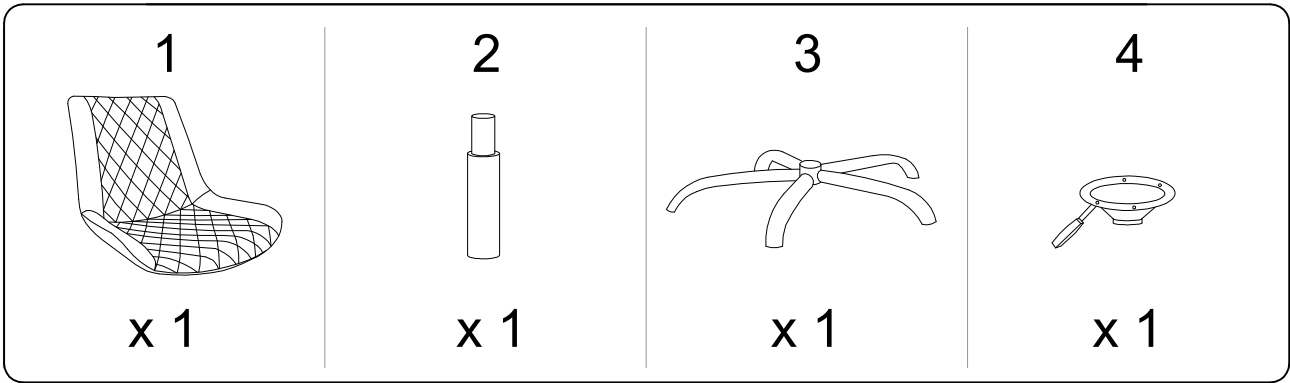


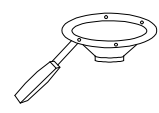


Diagram illustrating assembly instructions and safety warnings:

- Warning 1:** A triangle with an exclamation mark. Below it, a box contains an L-shaped bracket and a crossed-out power drill, indicating that a drill should not be used to install the bracket.
- Warning 2:** A triangle with an exclamation mark. Below it, a box shows a rectangular block being placed on a surface with a crossed-out screw, indicating that the block should not be secured with a screw.
- Time:** A clock icon with the text "30'" below it, indicating a 30-minute assembly time.
- Person:** A stick figure icon with the number "1" below it, indicating that one person is required for assembly.



1



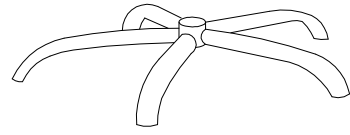
4



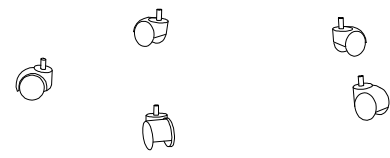
2



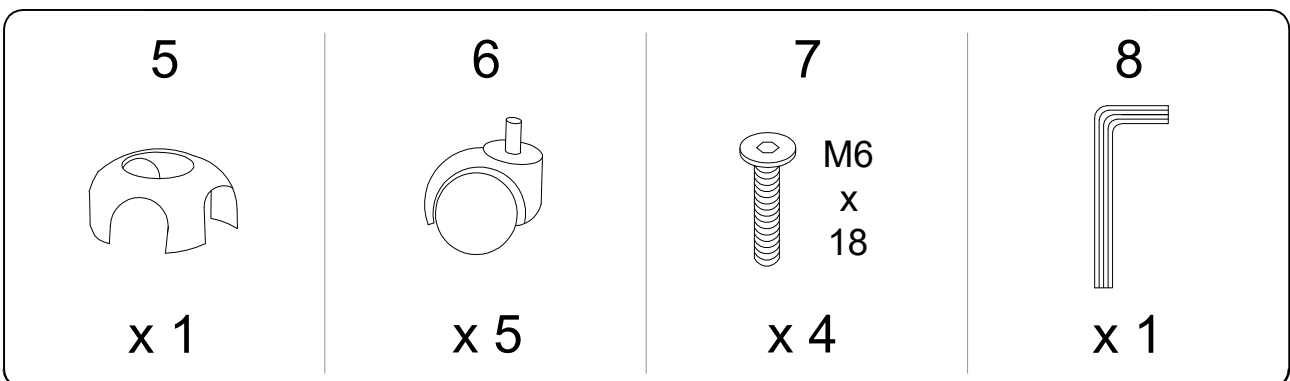
5



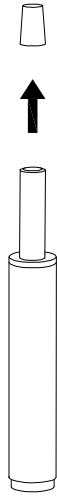
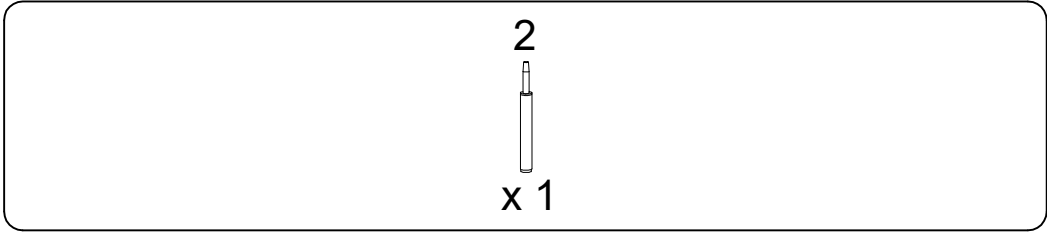
3



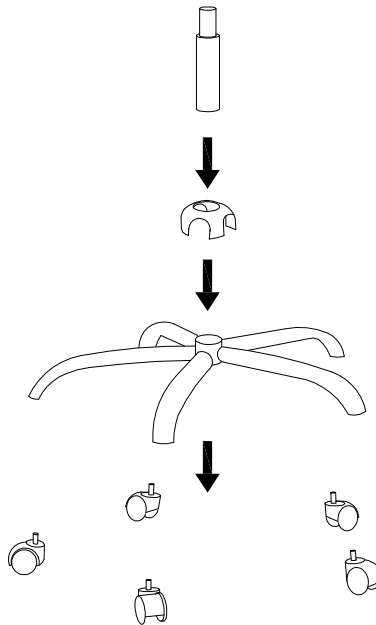
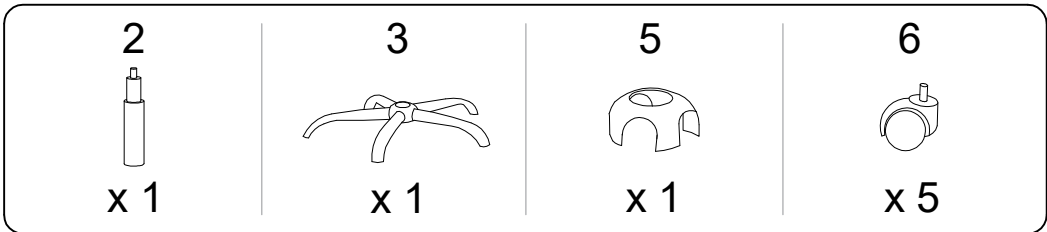
6 x 5




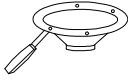
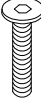
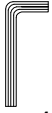
!

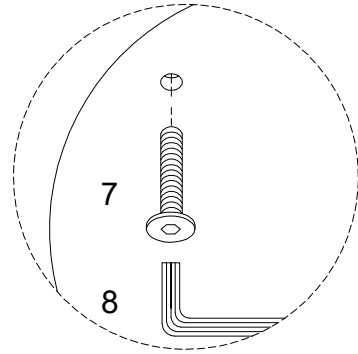
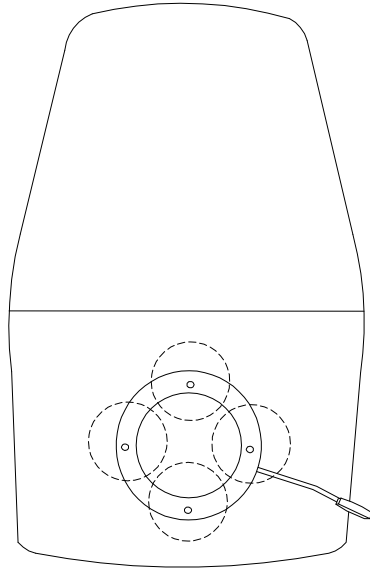


1



2

<p>1</p>  <p>x 1</p>	<p>4</p>  <p>x 1</p>	<p>7</p> <p>M6 x 18</p>  <p>x 4</p>	<p>8</p>  <p>x 1</p>
---	---	---	---



3

