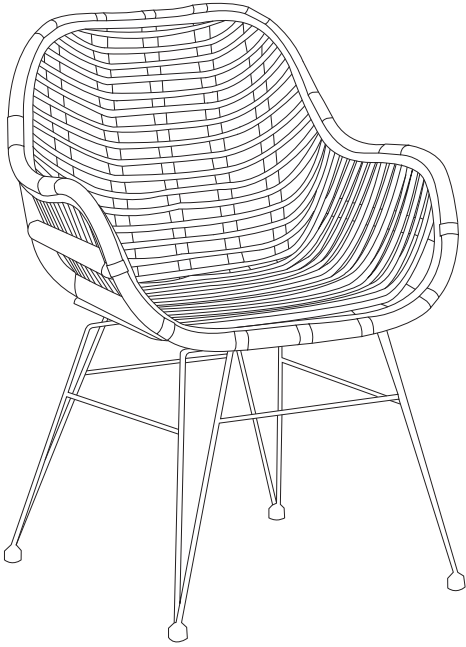
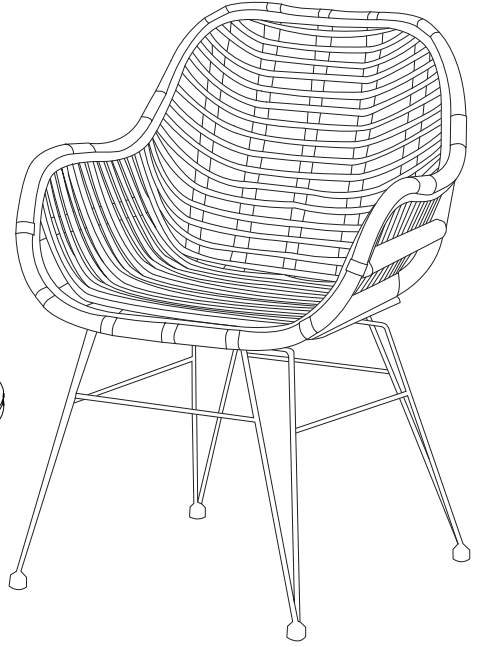


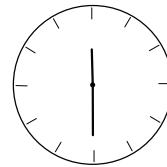
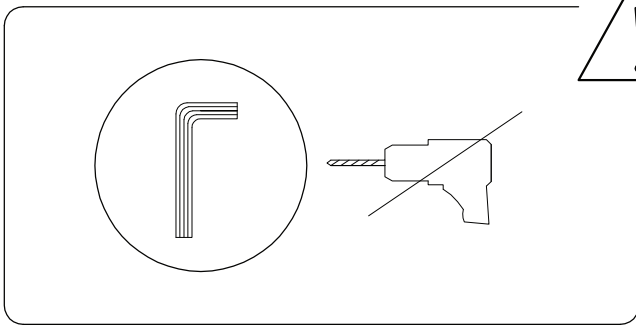
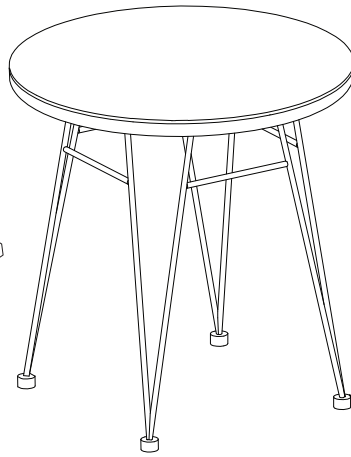
A



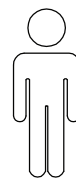
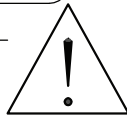
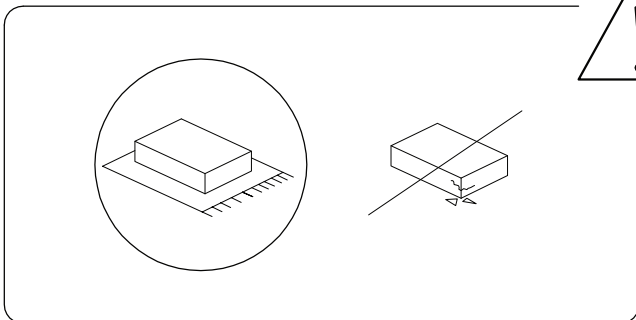
A



B



30'

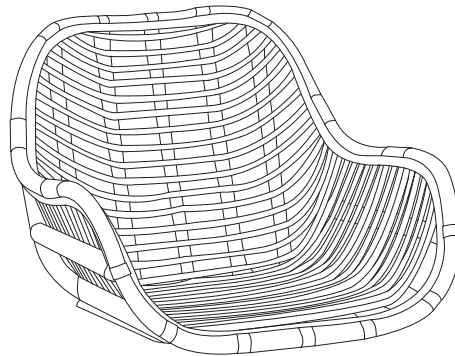


1

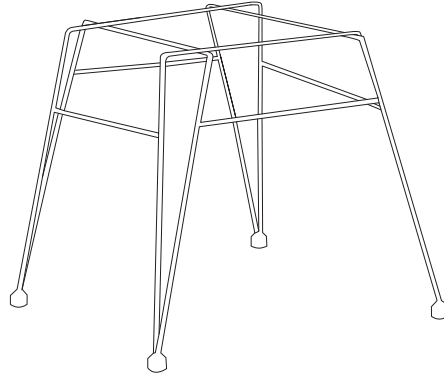
A x 2



6







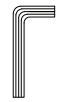
2

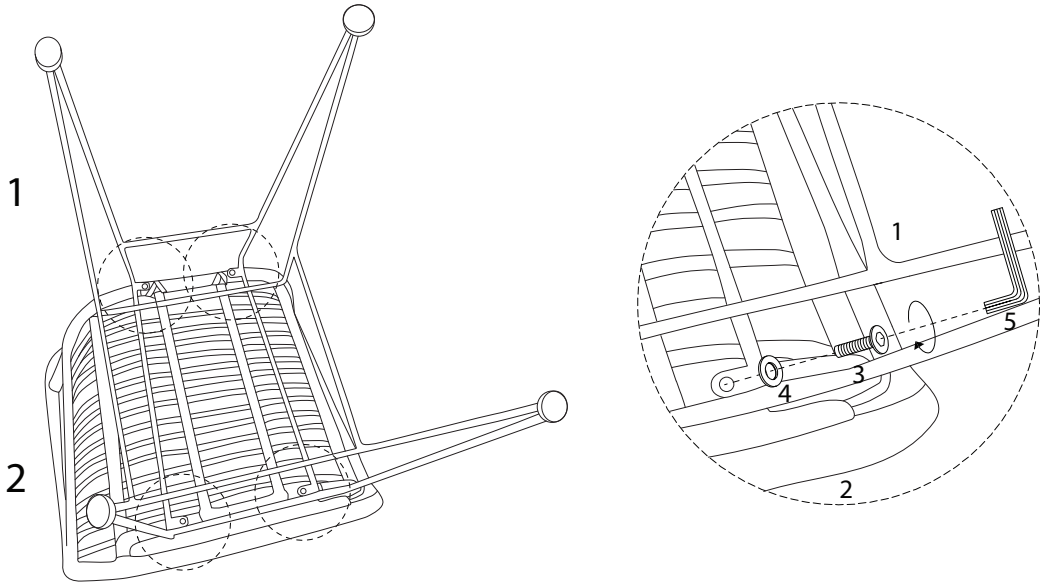


1

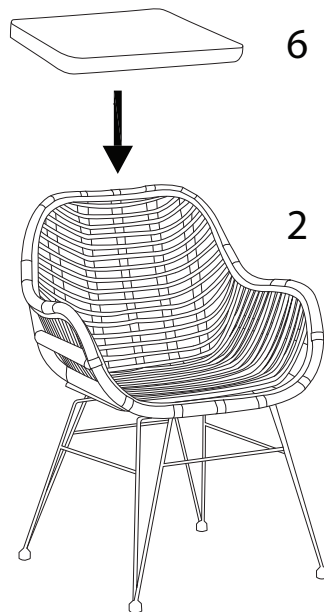
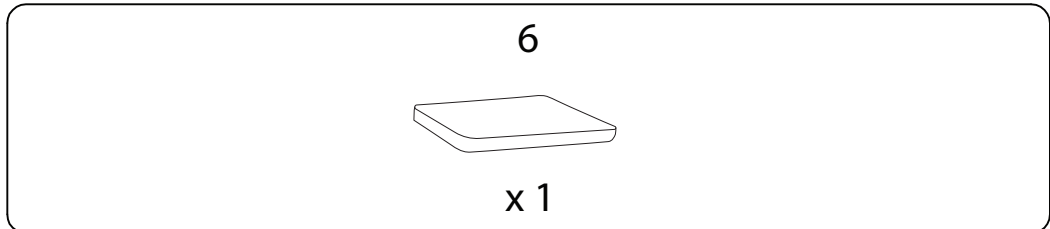
| 1 | 2 | 3 | 4 | 5 | 6 |
|-----|-----|---------------|-----|-----|-----|
| | | M6 x 20 | | | |
| x 1 | x 1 | x 4 | x 4 | x 1 | x 1 |

1

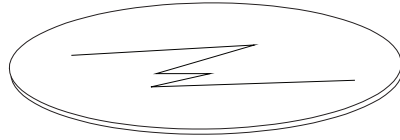
| | | | | |
|-------------------------------------------------------------------------------------------------------|-------------------------------------------------------------------------------------------------------|------------------------------------------------------------------------------------------------------------------------------|---------------------------------------------------------------------------------------------------------|---------------------------------------------------------------------------------------------------------|
| <p>1</p>  <p>x 1</p> | <p>2</p>  <p>x 1</p> | <p>3</p> <p>M6 x 20</p>  <p>x 4</p> | <p>4</p>  <p>x 4</p> | <p>5</p>  <p>x 1</p> |
|-------------------------------------------------------------------------------------------------------|-------------------------------------------------------------------------------------------------------|------------------------------------------------------------------------------------------------------------------------------|---------------------------------------------------------------------------------------------------------|---------------------------------------------------------------------------------------------------------|



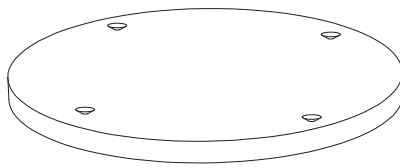
2



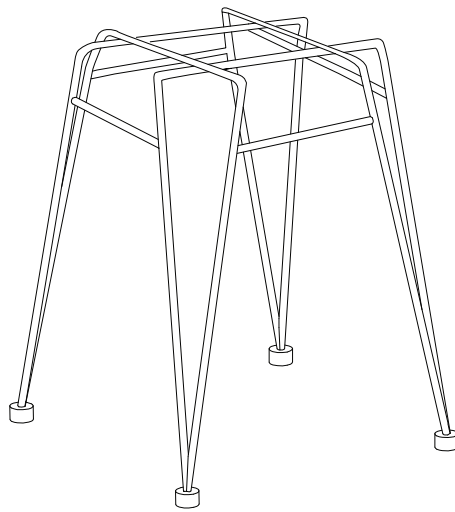
B



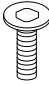
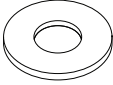
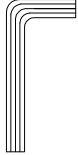



C





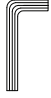


A

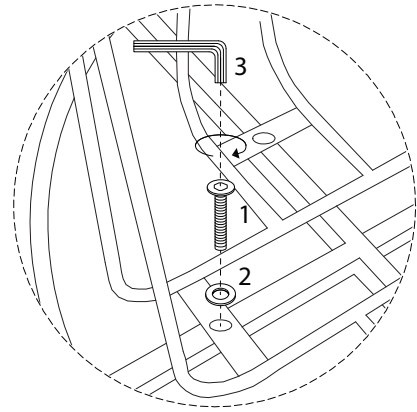
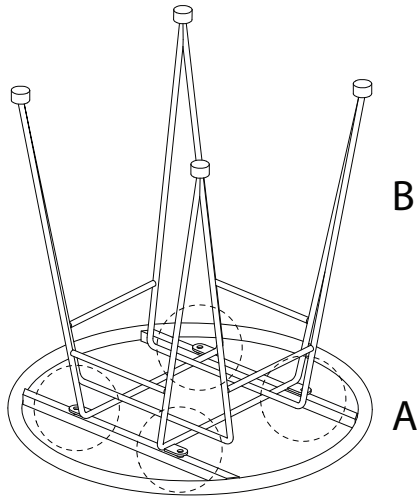


B

| 1 | 2 | 3 | A | B | C |
|------------------------------------------------------------------------------------------------------|-------------------------------------------------------------------------------------|-------------------------------------------------------------------------------------|-------------------------------------------------------------------------------------|---------------------------------------------------------------------------------------|---------------------------------------------------------------------------------------|
|  M6 x 15 |  |  |  |  |  |
| x 4 | x 4 | x 1 | x 1 | x 1 | x 1 |

1

| | | | | |
|-----------------------------------------------------------------------------------------------------------------------------|------------------------------------------------------------------------------------------------------|------------------------------------------------------------------------------------------------------|--------------------------------------------------------------------------------------------------------|--------------------------------------------------------------------------------------------------------|
| <p>1</p>  <p>M6 x 15</p> <p>x4</p> | <p>2</p>  <p>x4</p> | <p>3</p>  <p>x1</p> | <p>A</p>  <p>x1</p> | <p>B</p>  <p>x1</p> |
|-----------------------------------------------------------------------------------------------------------------------------|------------------------------------------------------------------------------------------------------|------------------------------------------------------------------------------------------------------|--------------------------------------------------------------------------------------------------------|--------------------------------------------------------------------------------------------------------|



2

