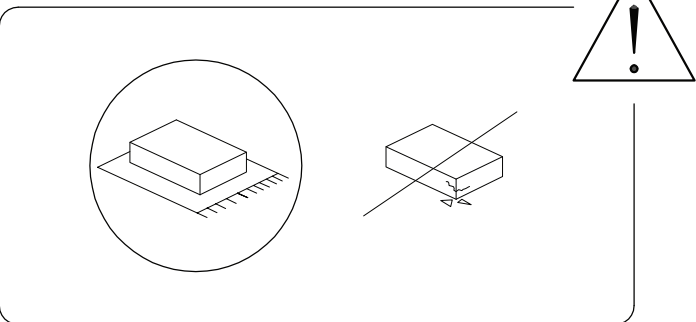
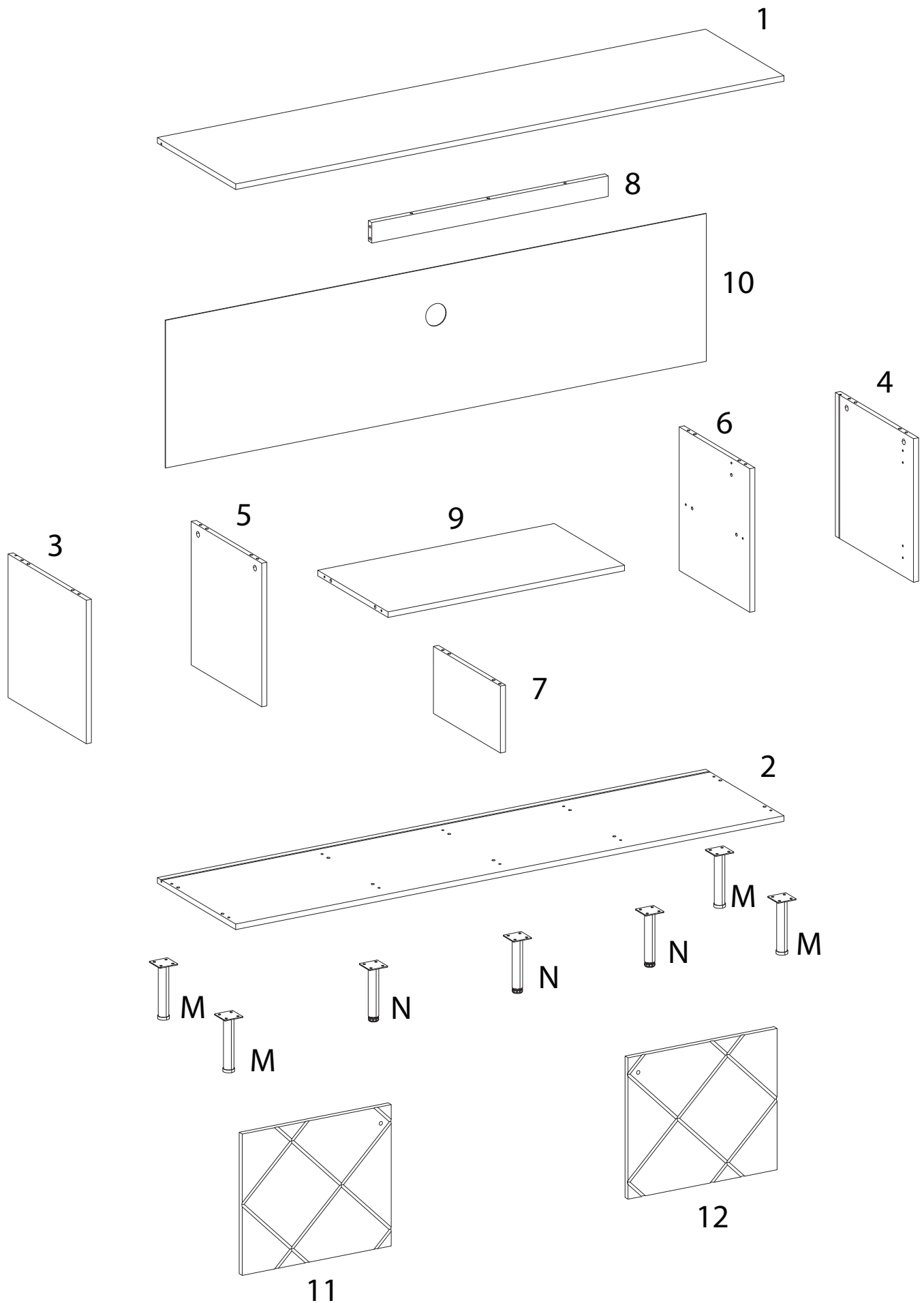


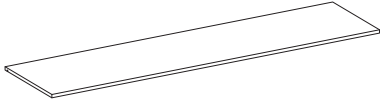
45'



2

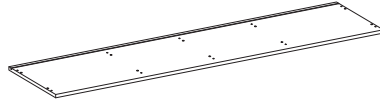


1



x 1

2



x 1

3



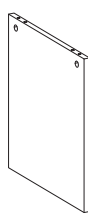
x 1

4



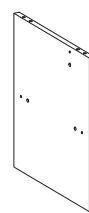
x 1

5



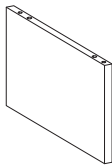
x 1

6



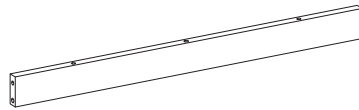
x 1

7



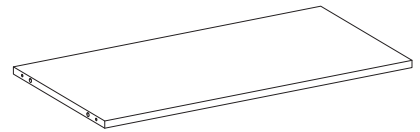
x 1

8



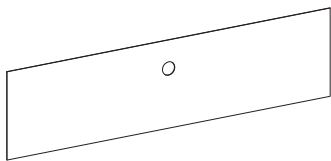
x 1

9



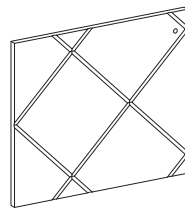
x 1

10



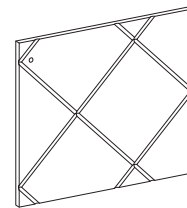
x 1

11



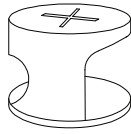
x 1

12



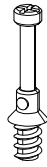
x 1

A



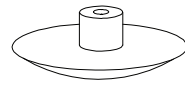
x 18

B



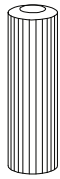
x 18

C



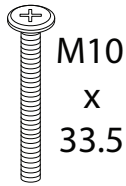
x 14

D



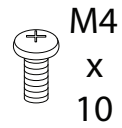
x 27

E



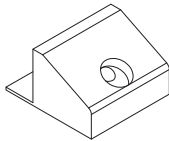
x 10

F



x 36

G



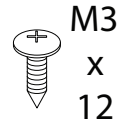
x 14

H



x 14

I



x 2

J



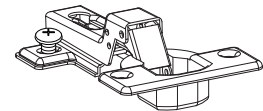
x 2

K



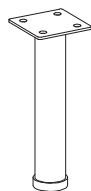
x 2

L



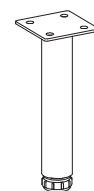
x 4

M



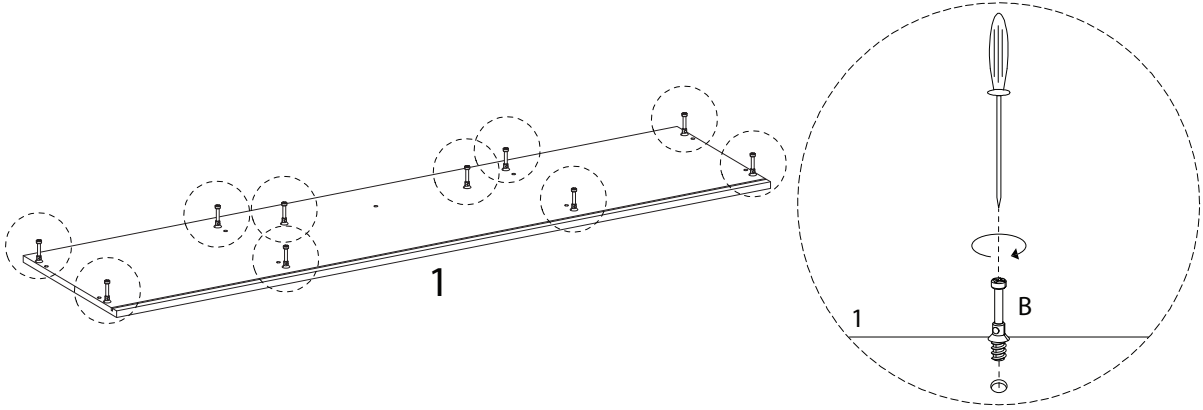
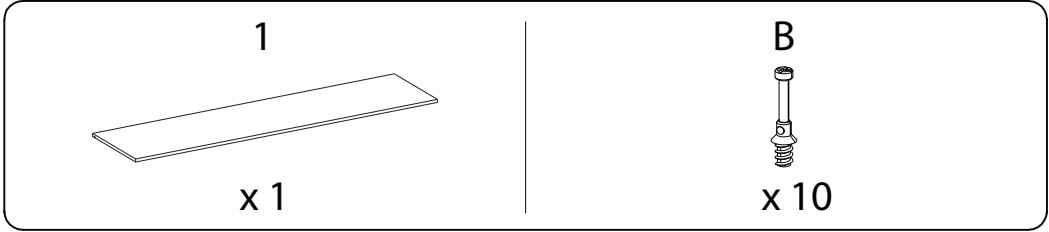
x 4

N

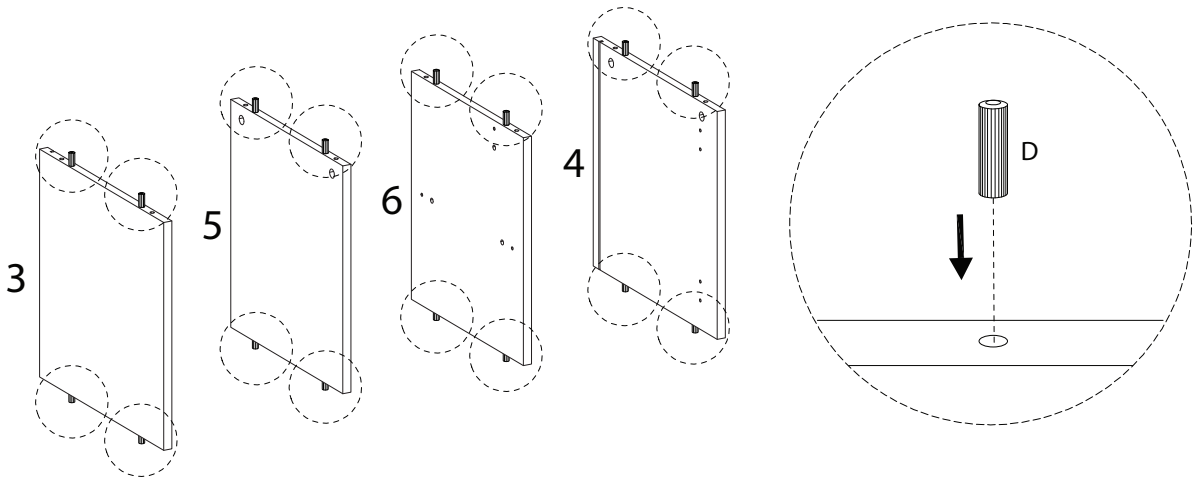
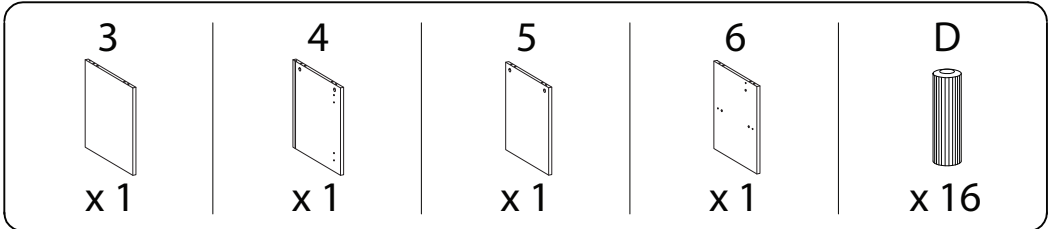


x 3

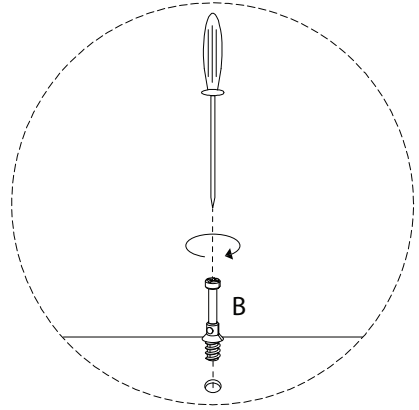
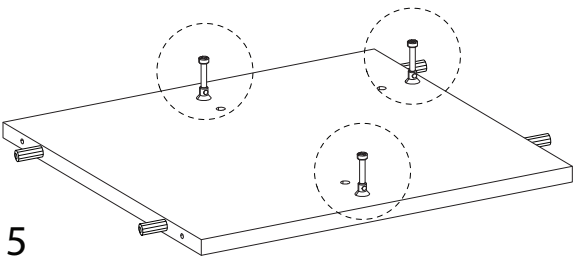
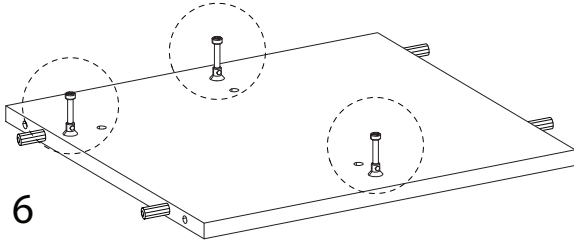
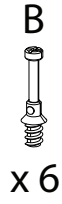
1



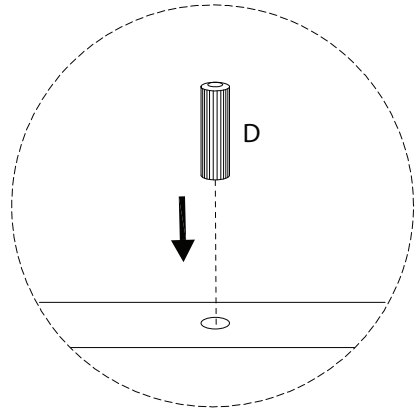
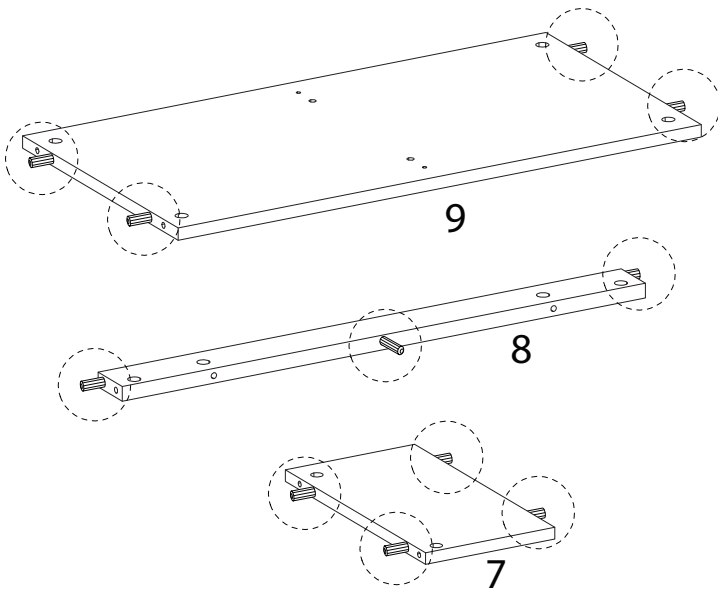
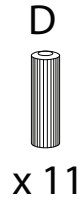
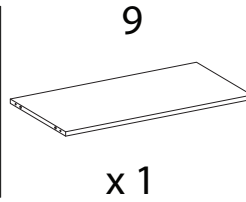
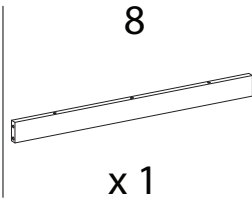
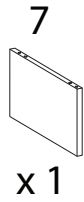
2



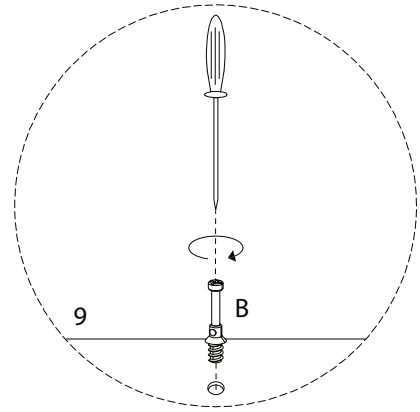
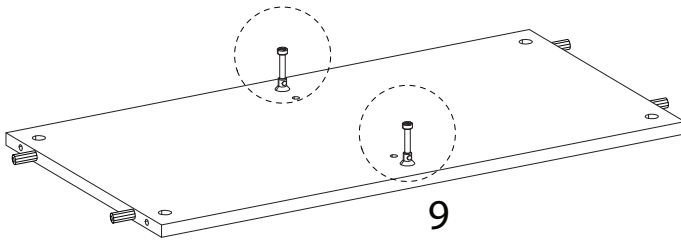
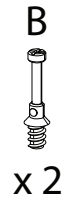
3



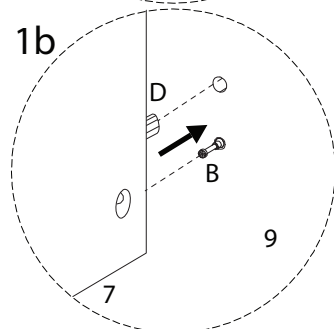
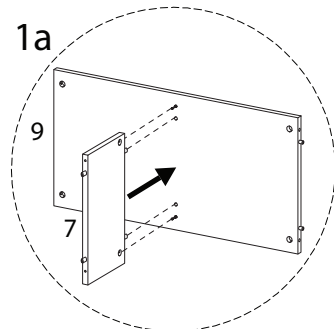
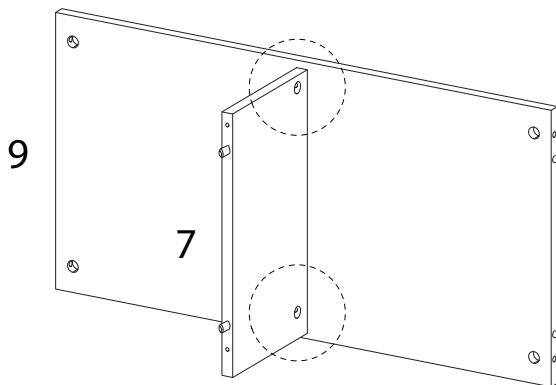
4



5



6

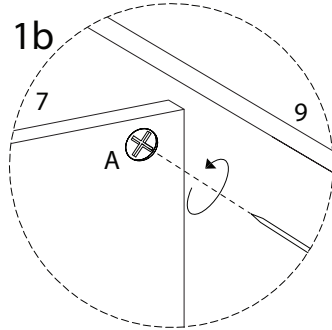
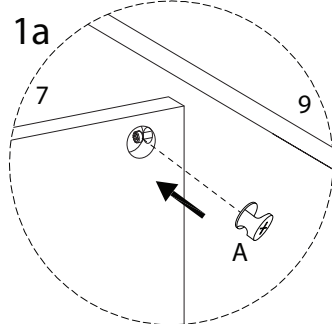
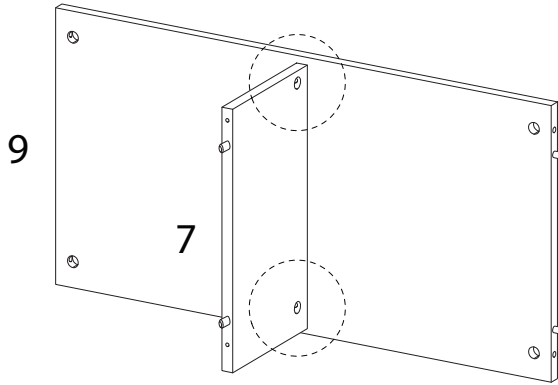


7

A

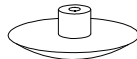


x 2

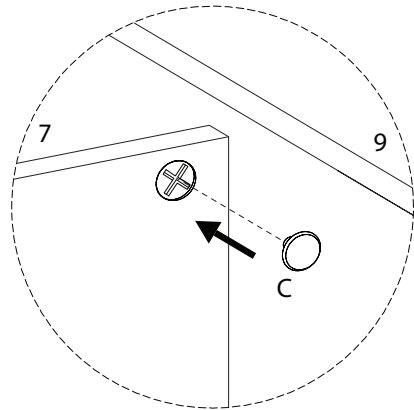
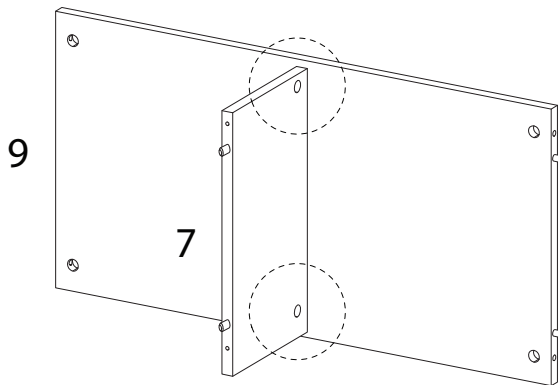


8

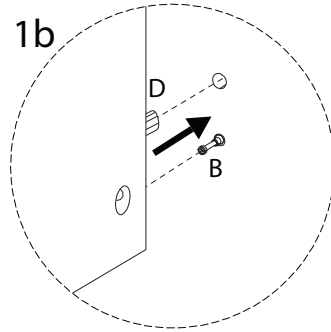
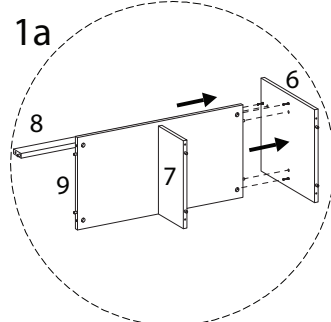
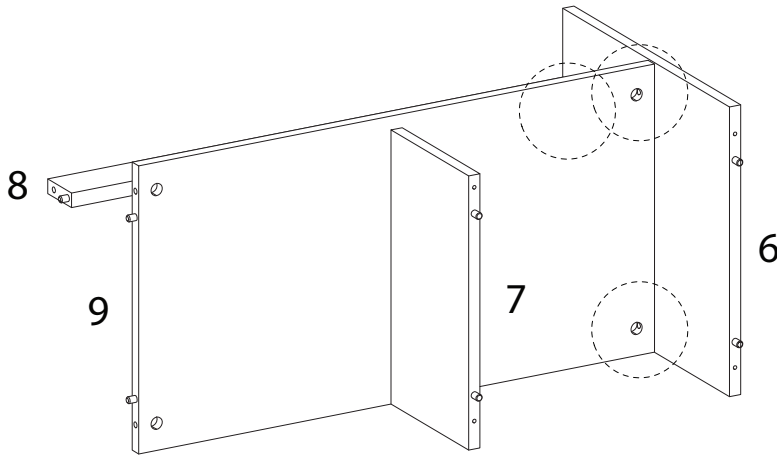
C



x 2



9

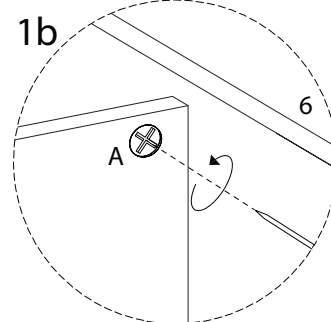
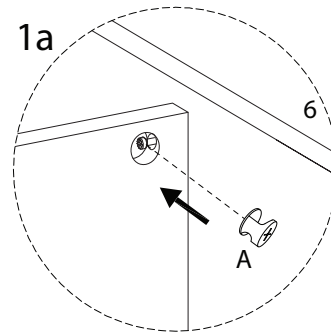
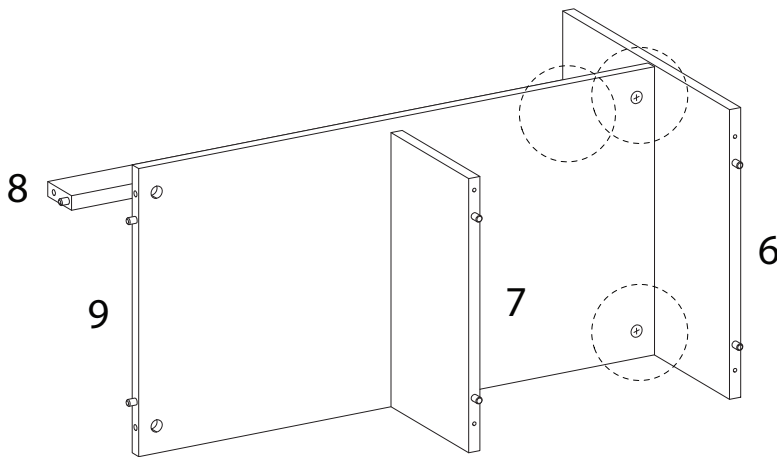


10

A

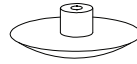


x 3

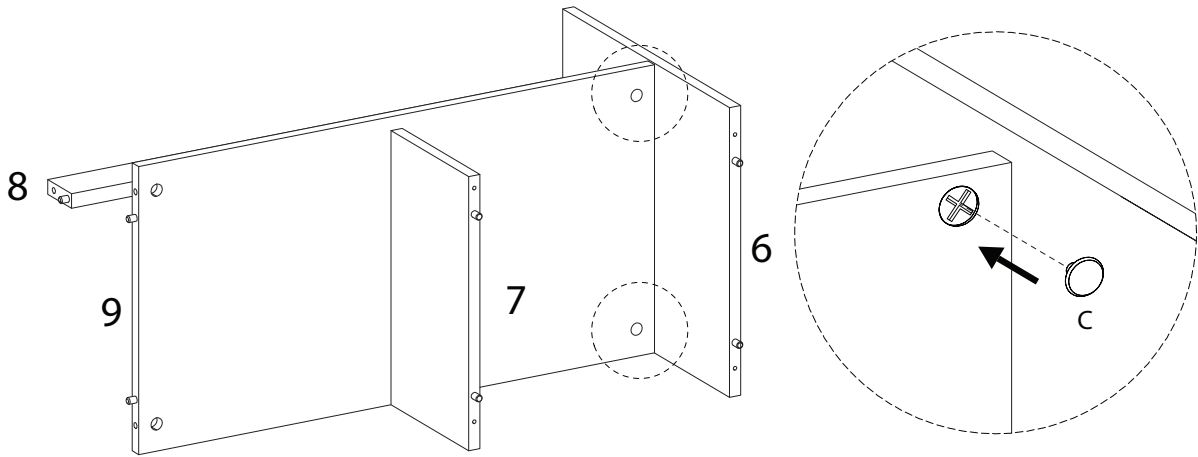


11

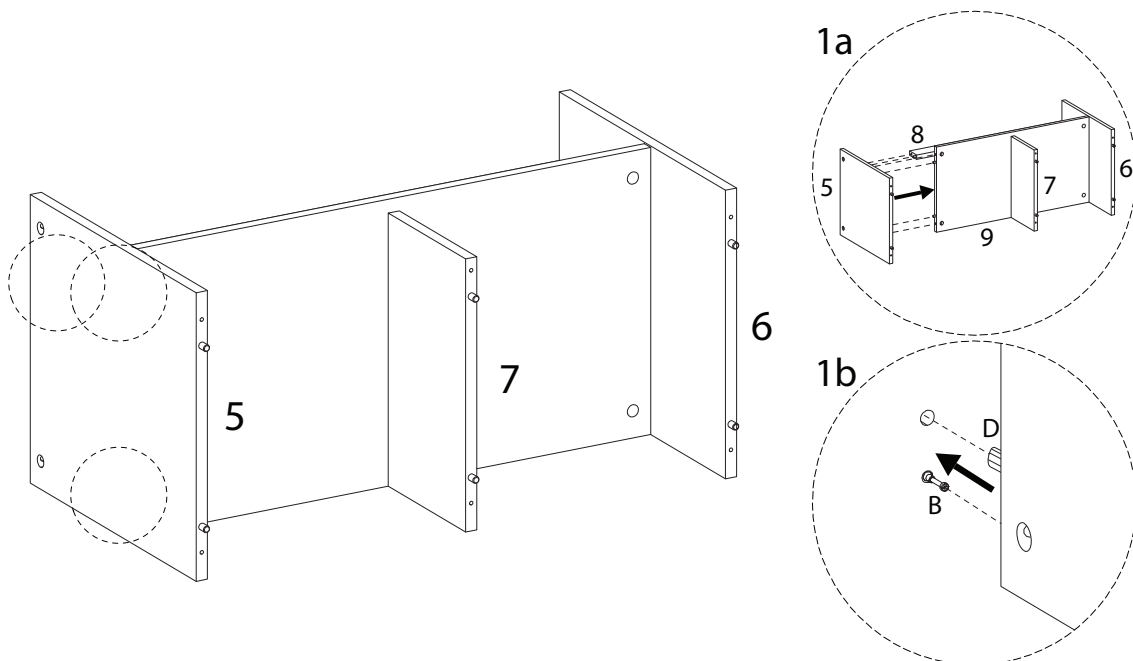
C



x2



12

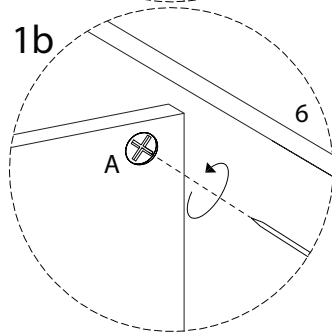
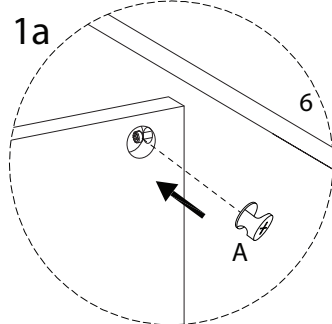
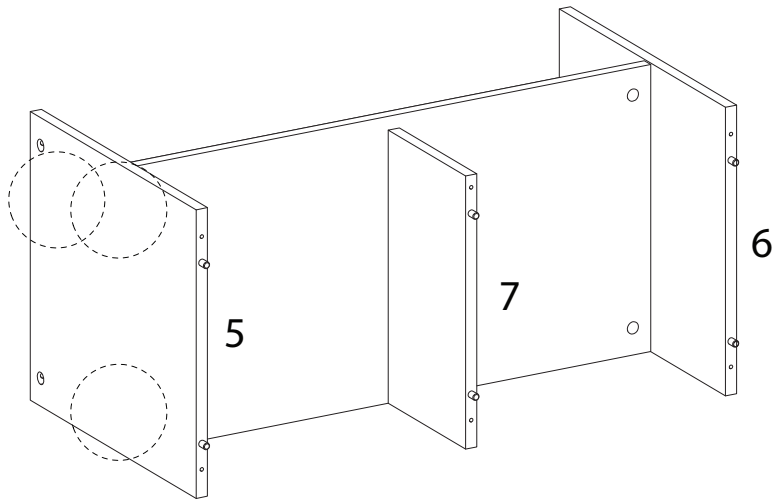


13

A

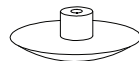


x 3

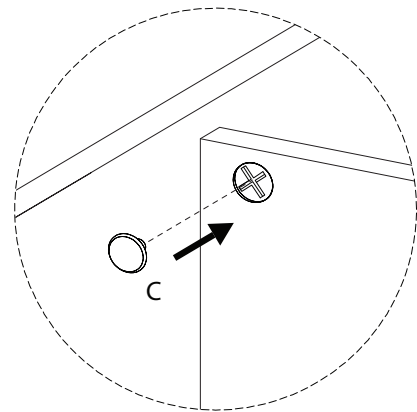
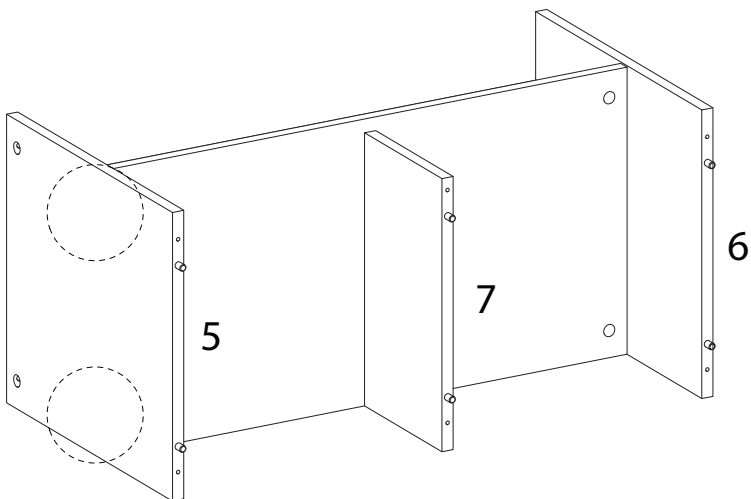


14

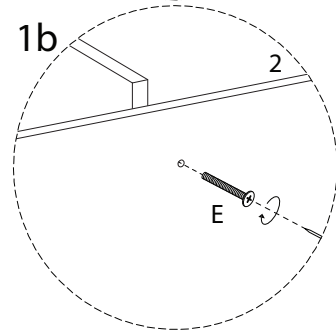
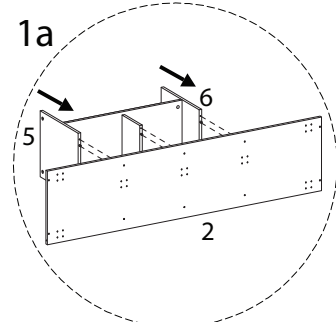
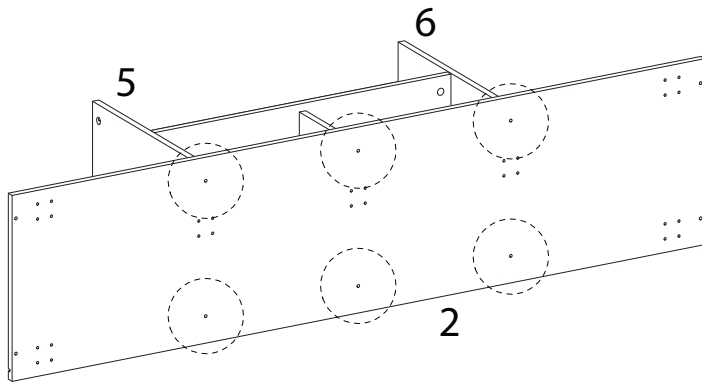
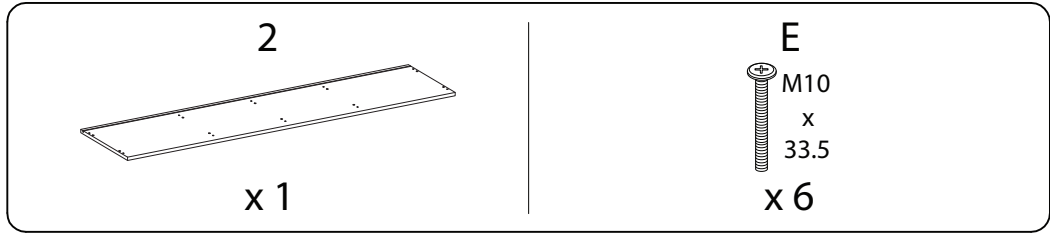
C



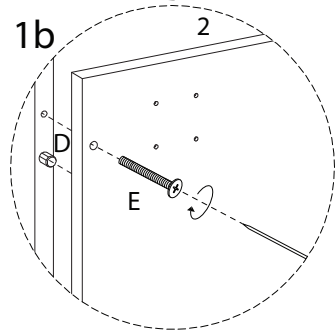
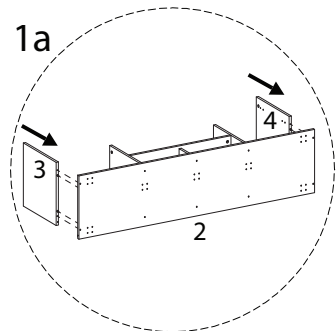
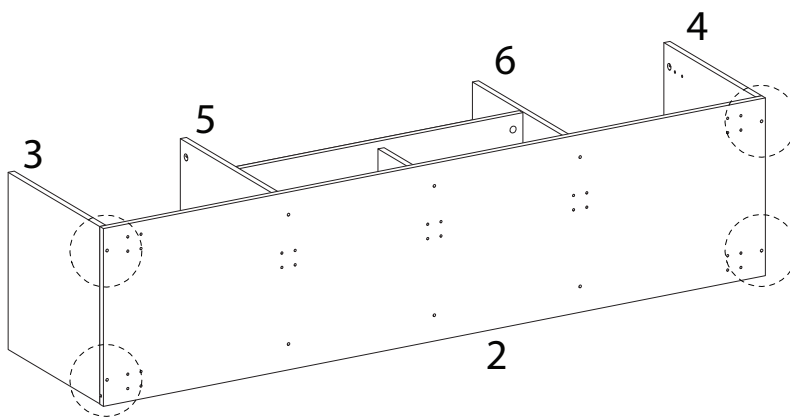
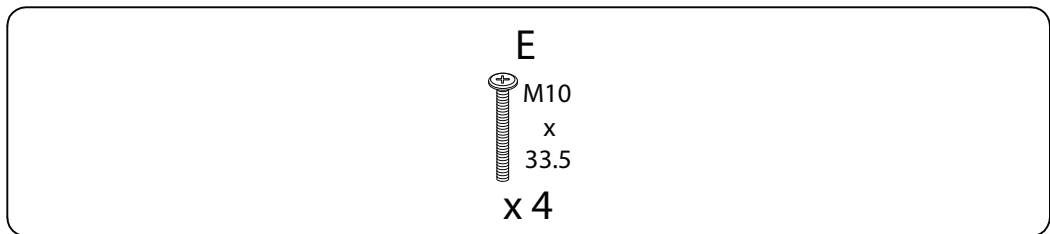
x 2



15



16

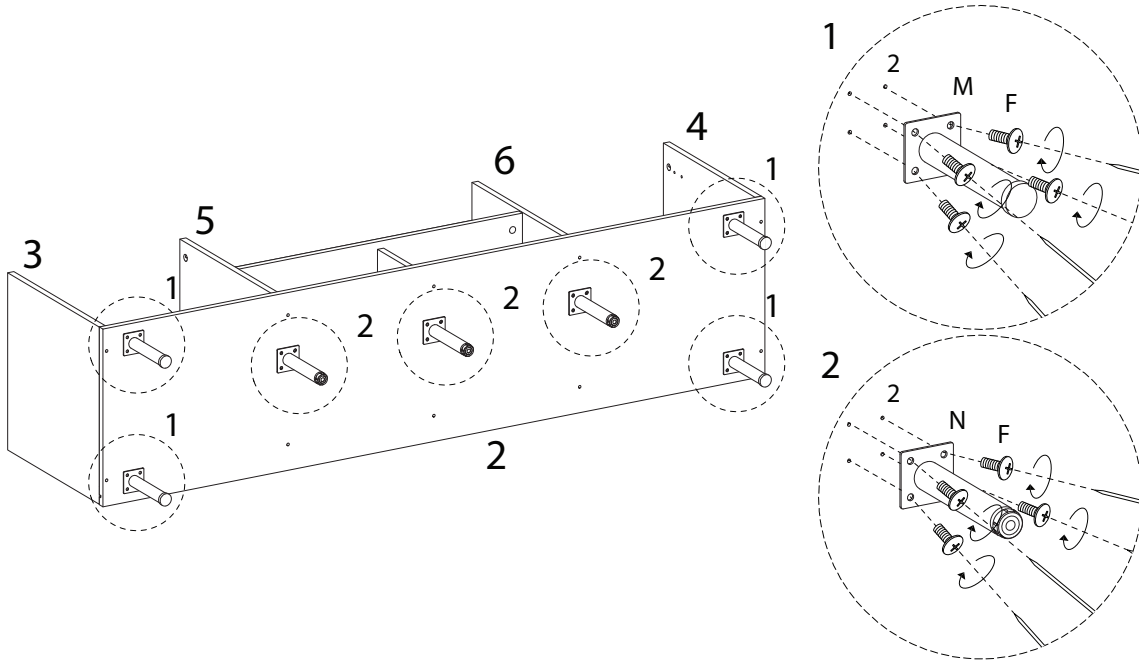


17

F
M4
x
10
x 28

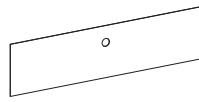
M
x 4

N
x 3

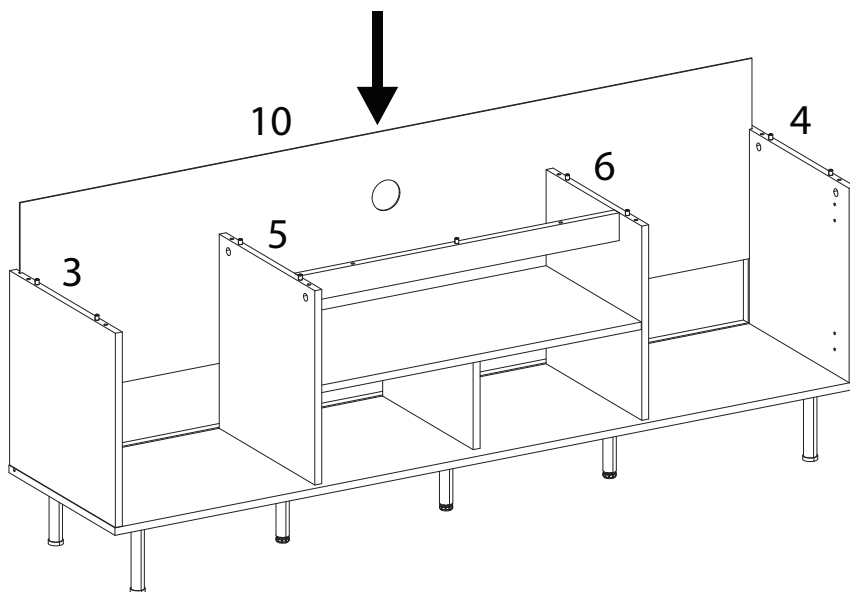


18

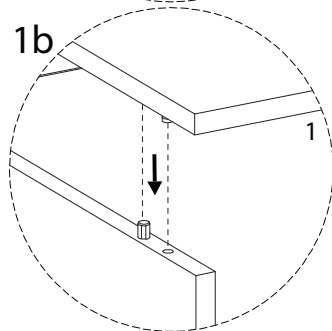
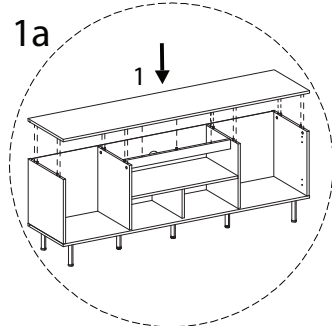
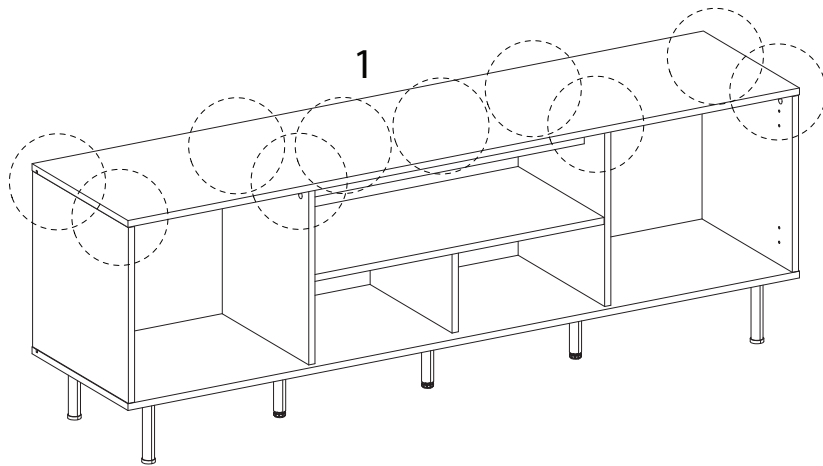
10



x 1



19

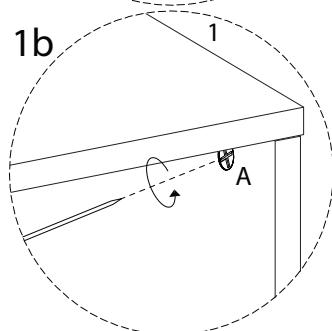
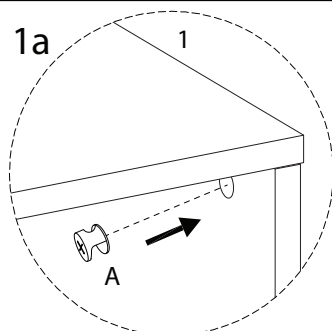
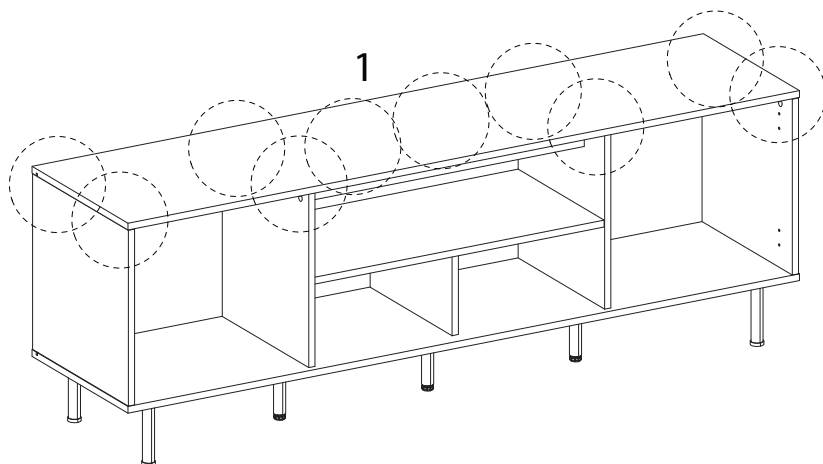


20

A

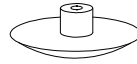


x 10

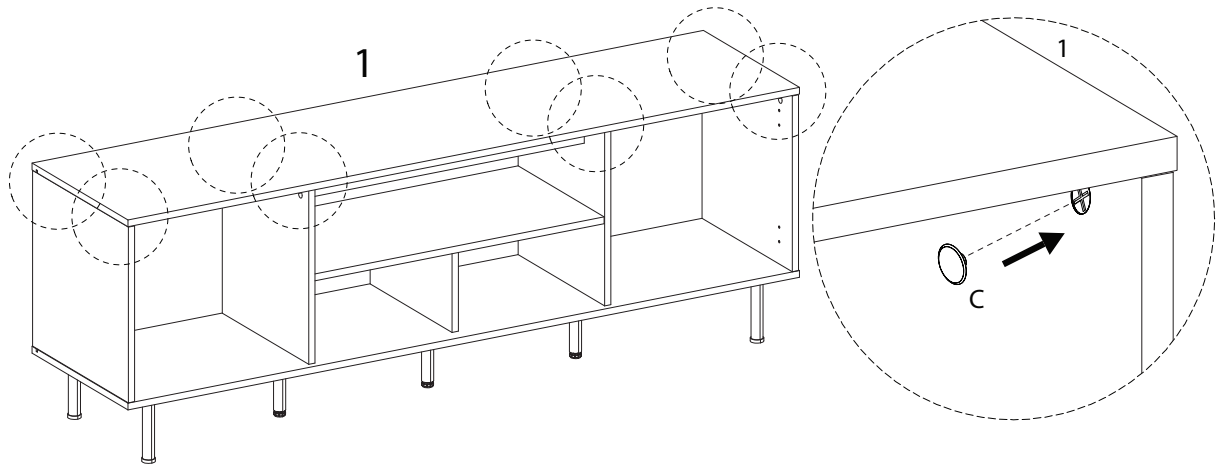


21

C

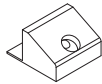


x 8



22

G

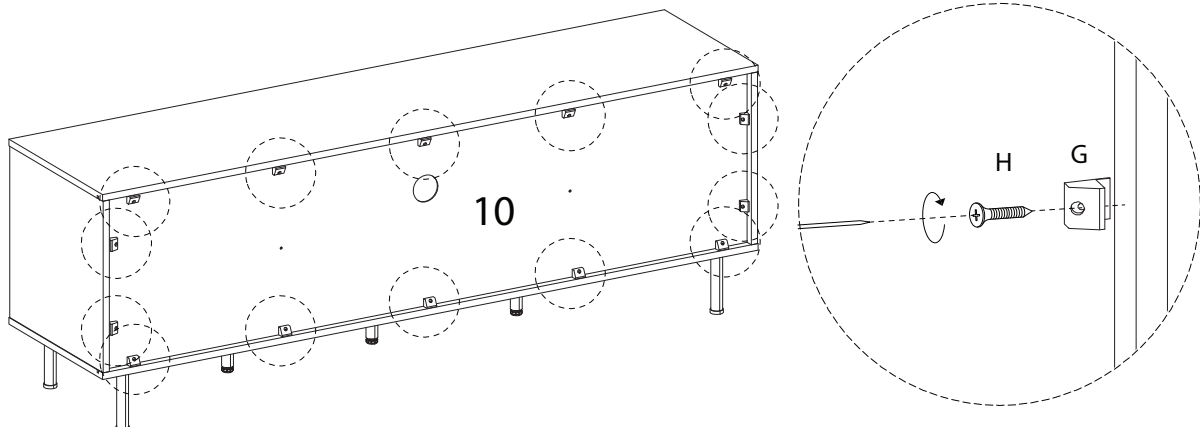


x 14

H

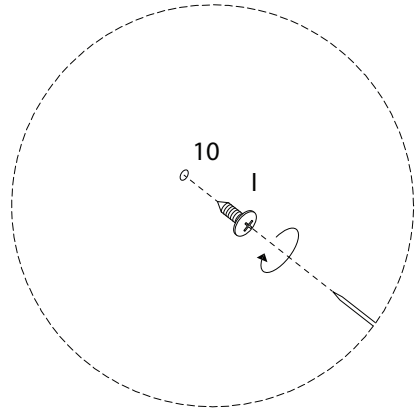
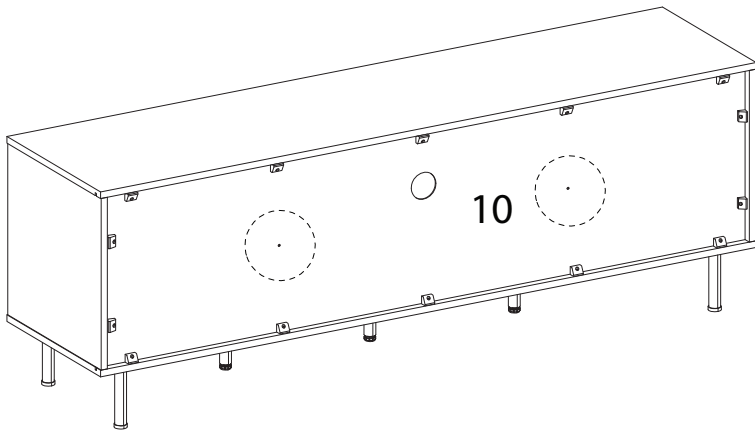


x 14



23

I
M3
x
12
x 2



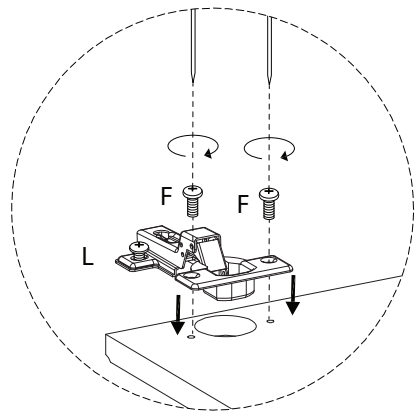
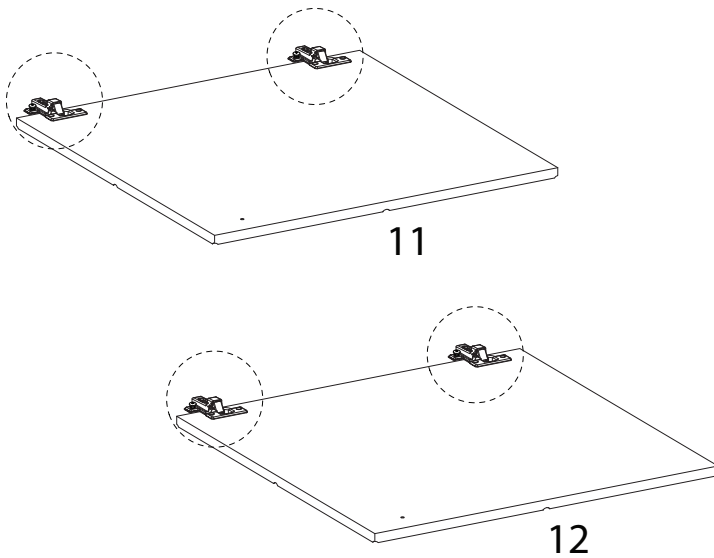
24

11
x 1

12
x 1

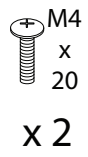
F
M4
x
10
x 8

L
x 4

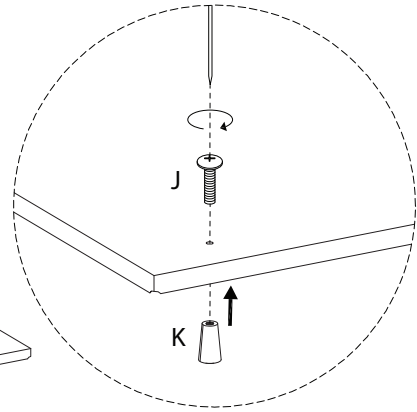
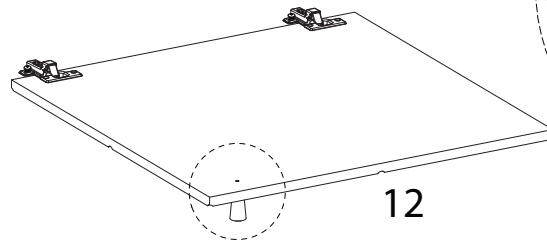
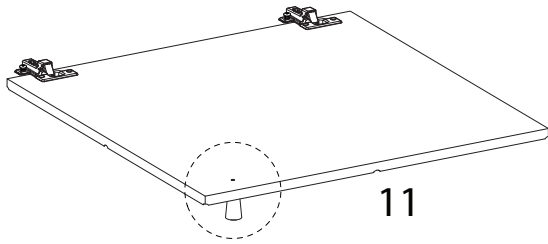


25

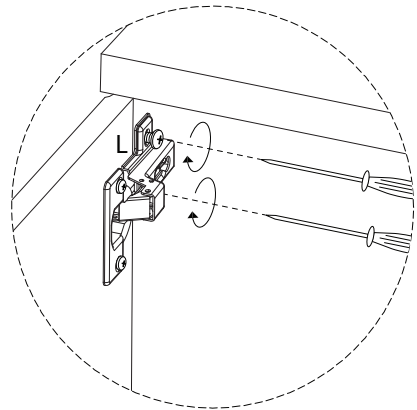
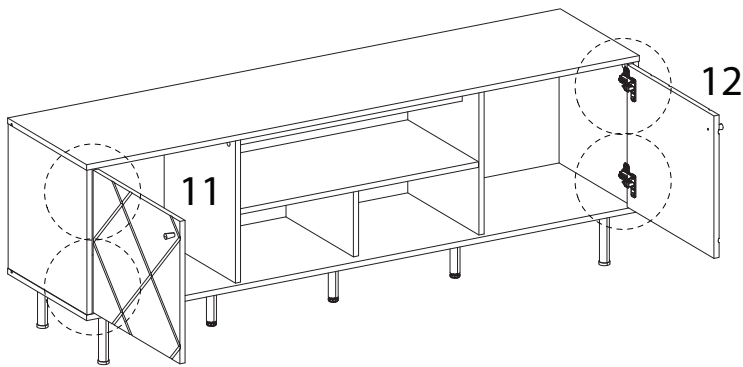
J



K



26



27

