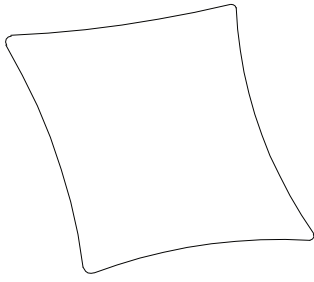
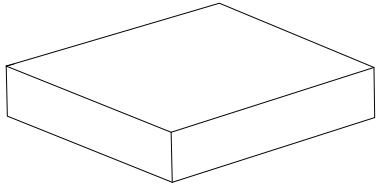
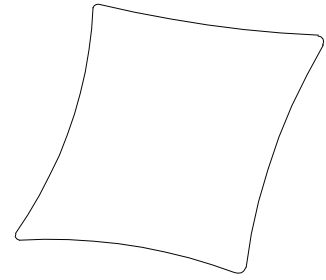


Diagram illustrating assembly instructions and safety warnings:

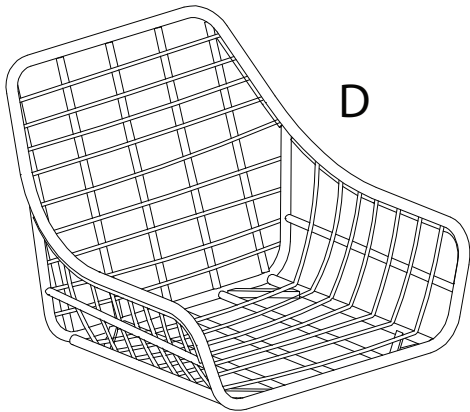
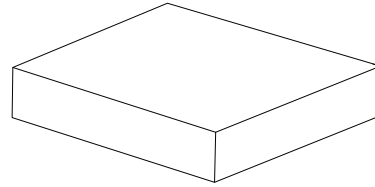
- Warning 1:** A warning triangle with an exclamation mark is shown next to a box containing an L-shaped metal bracket and a crossed-out power drill, indicating that a power drill should not be used for this step.
- Warning 2:** A second warning triangle with an exclamation mark is shown next to a box containing a rectangular block being placed on a textured surface and a crossed-out block being placed on a smooth surface, indicating that the block should be placed on the textured surface.
- Time:** A clock icon is shown with the text "30'", indicating an estimated assembly time of 30 minutes.
- Person:** An icon of a person is shown with the number "1" below it, indicating that one person is required for assembly.



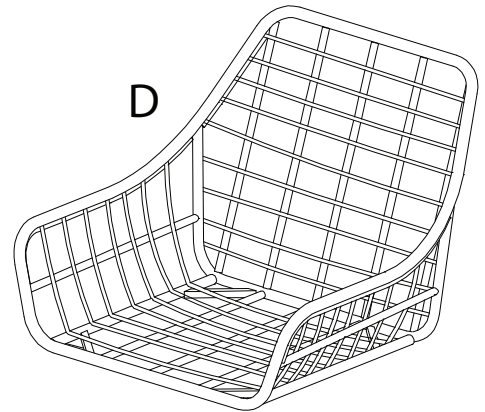
G x 2



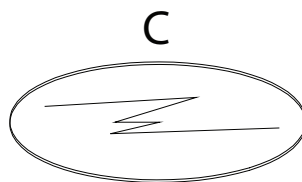
H x 2



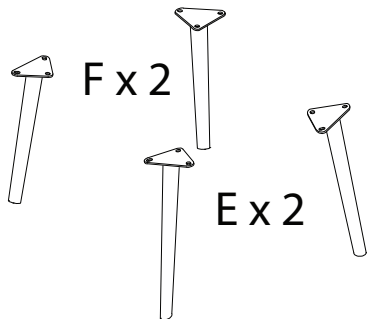
D



D

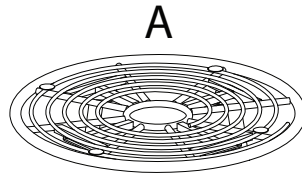


C

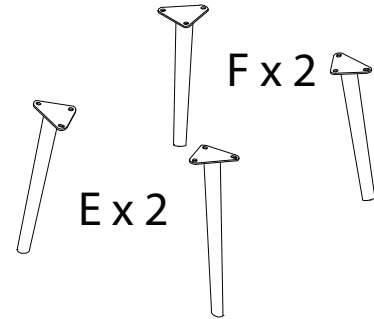


F x 2

E x 2

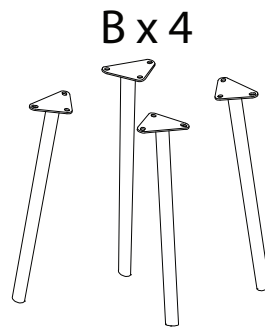


A

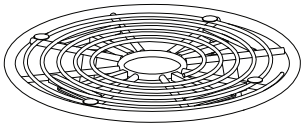




F x 2

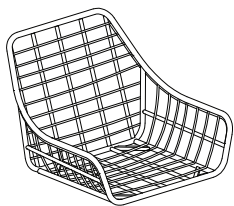
E x 2



B x 4

<p>A</p>  <p>x 1</p>	<p>B</p>  <p>x 4</p>	<p>C</p>  <p>x 1</p>
---	---	---

D



x 2

E



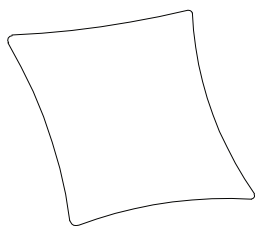
x 4

F



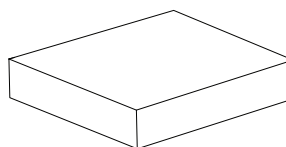
x 4

G



x 2

H



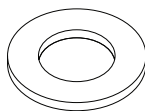
x 2

1



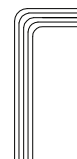
x 36

2



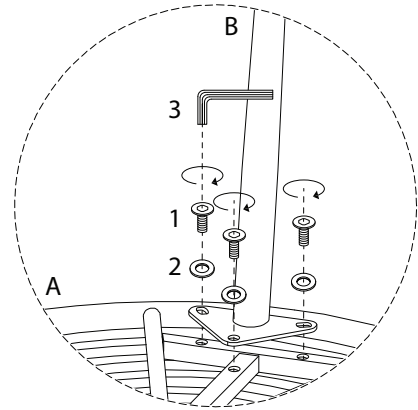
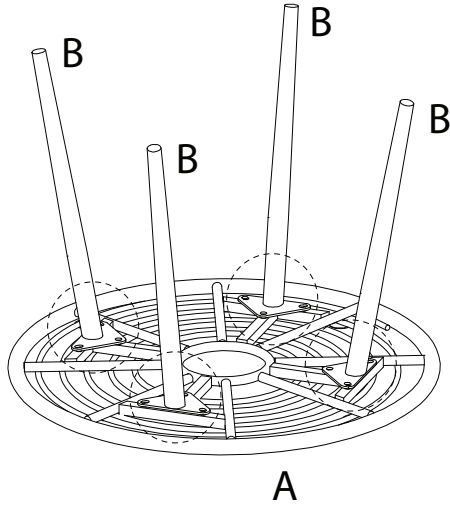
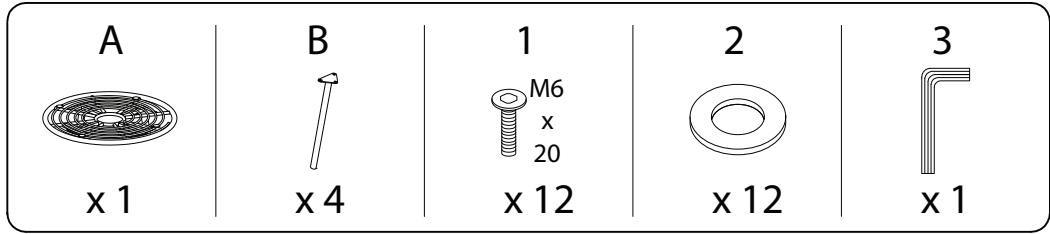
x 36

3

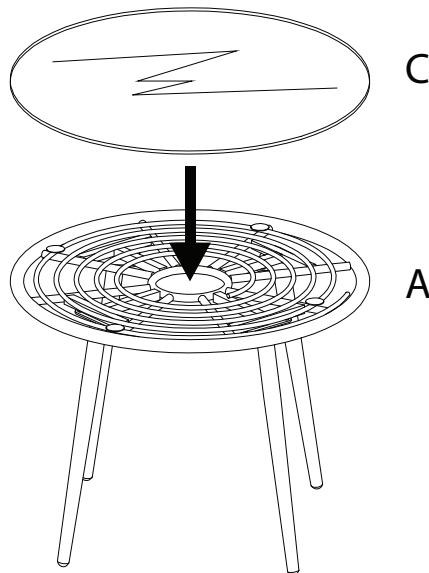
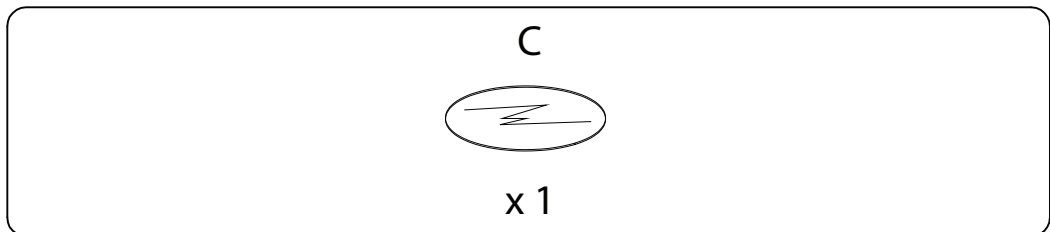


x 1





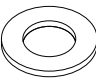
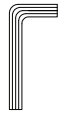
1

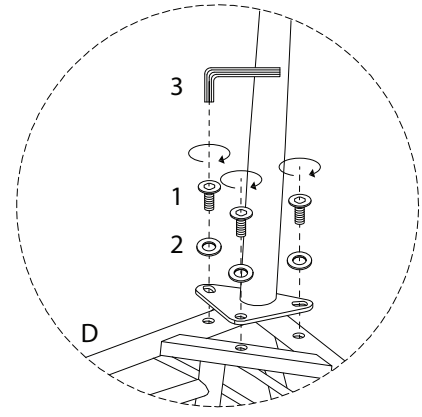
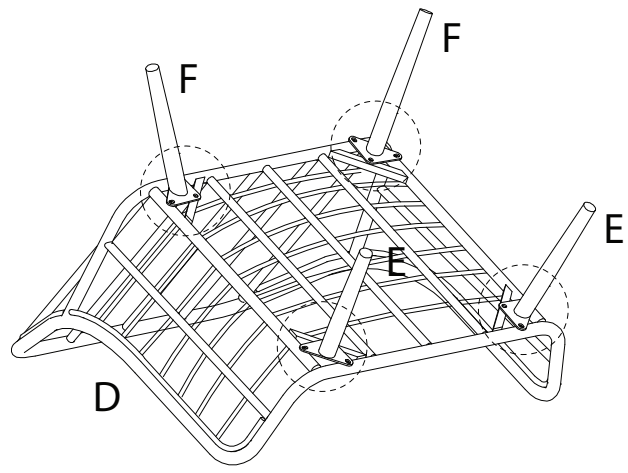


2

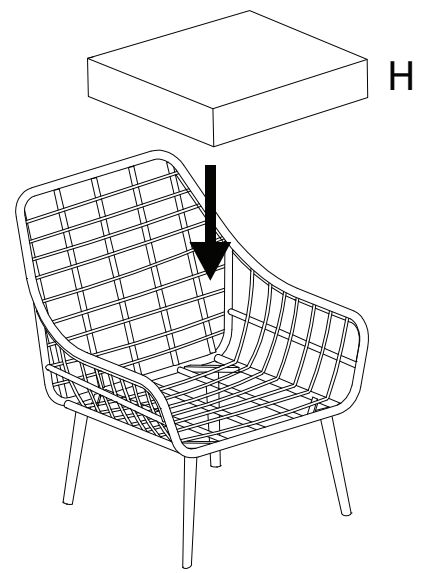
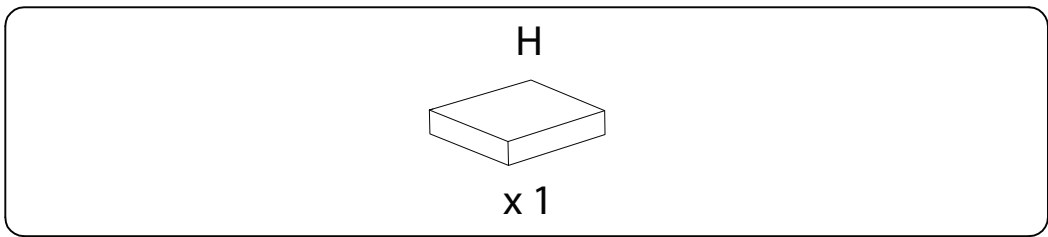


3 x 2

D  x 1	E  x 2	F  x 2	1  M6 x 20 x 12	2  x 12	3  x 1
---	---	---	---	--	---



4 x 2



5 x 2

