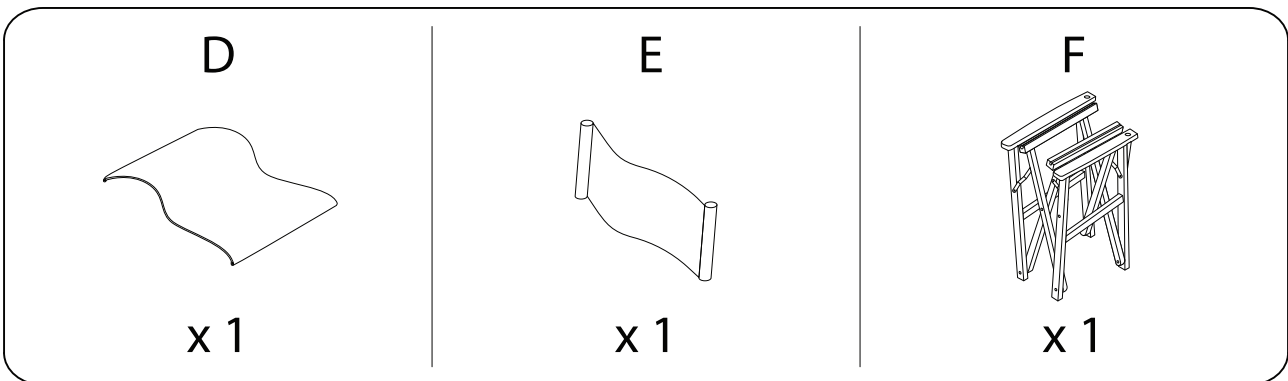
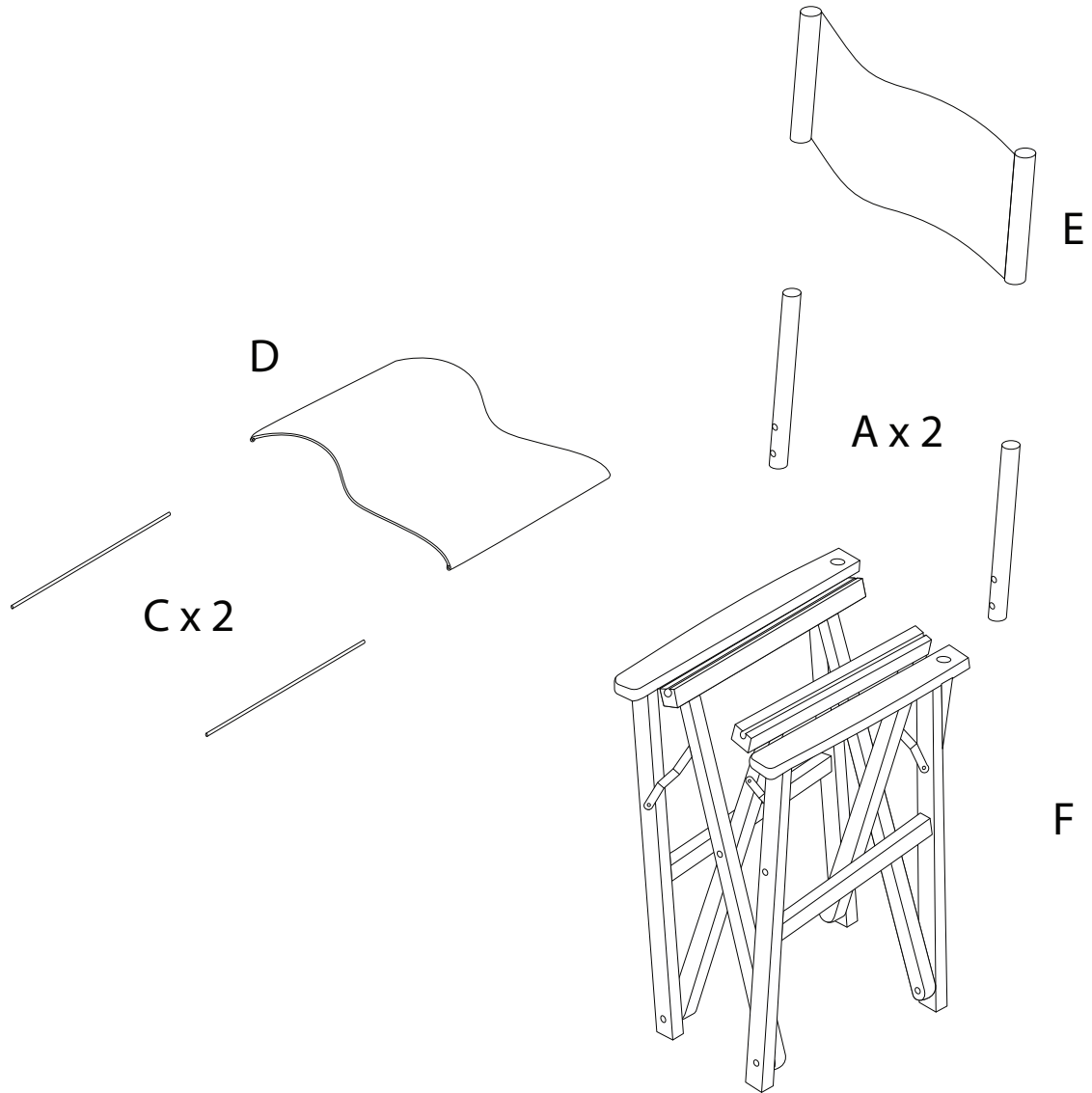
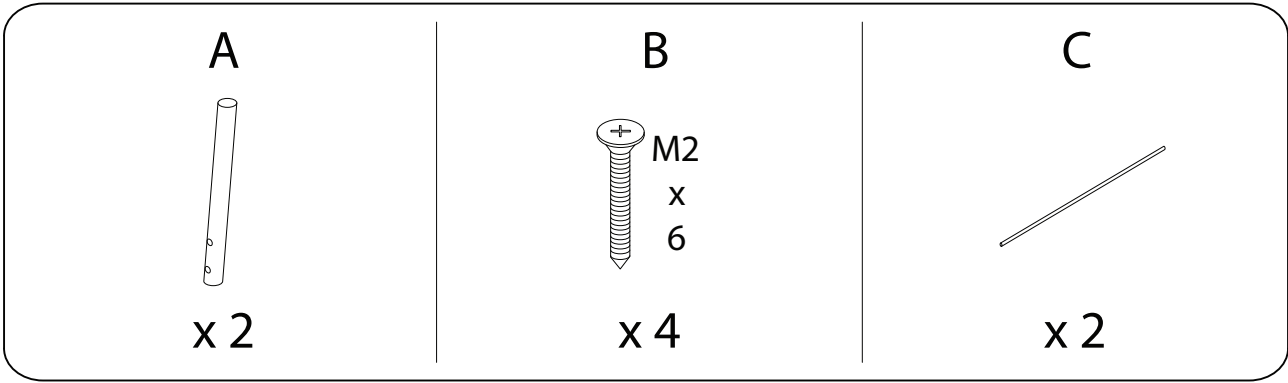


Assembly instructions for step 1/4:

- Tools: A screwdriver is required, while a power drill is not to be used.
- Time: The step takes 30 minutes.
- Personnel: One person is required for this step.
- Warnings: Two warning triangles with exclamation marks indicate safety precautions.

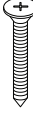
1/4



1

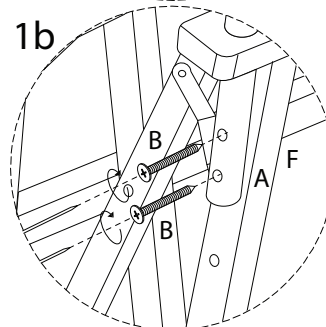
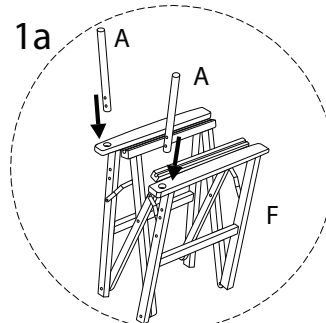
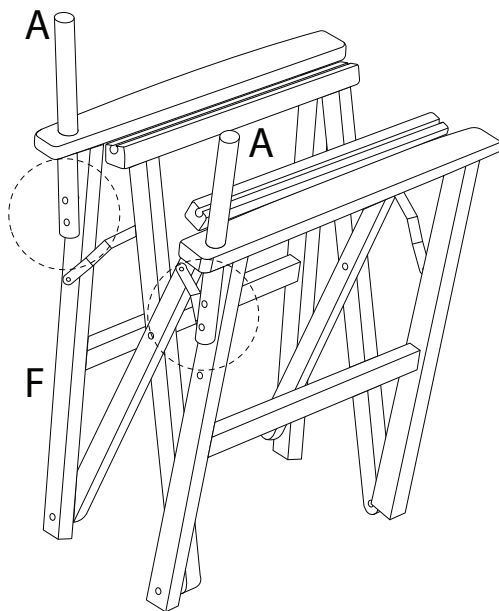
A

x 2

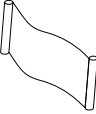
B

M2
x 6
x 4

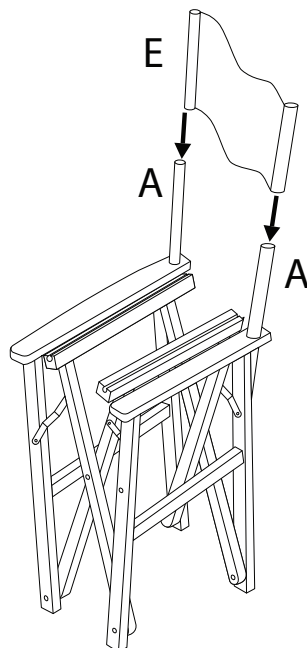
F

x 1

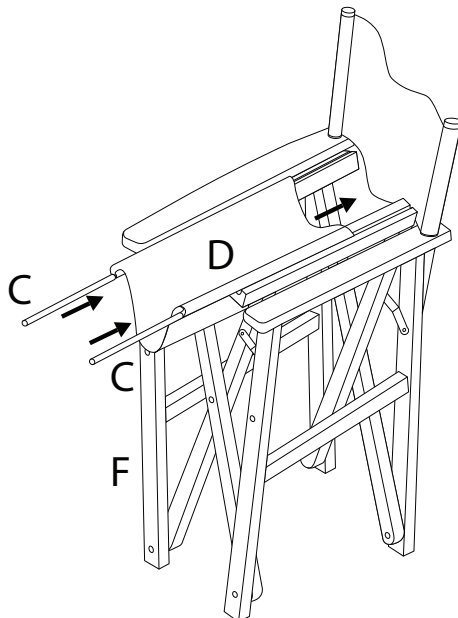
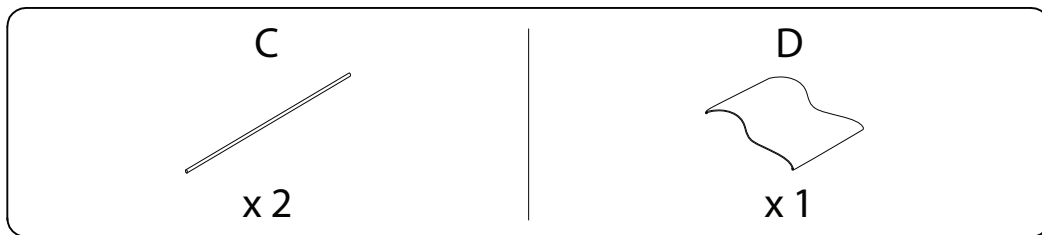


2

E

x 1



3



4

