

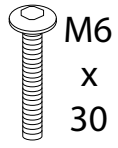
A

A



x 4

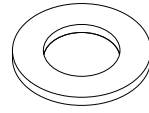
B



M6
x
30

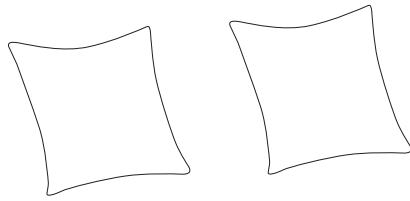
x 8

C

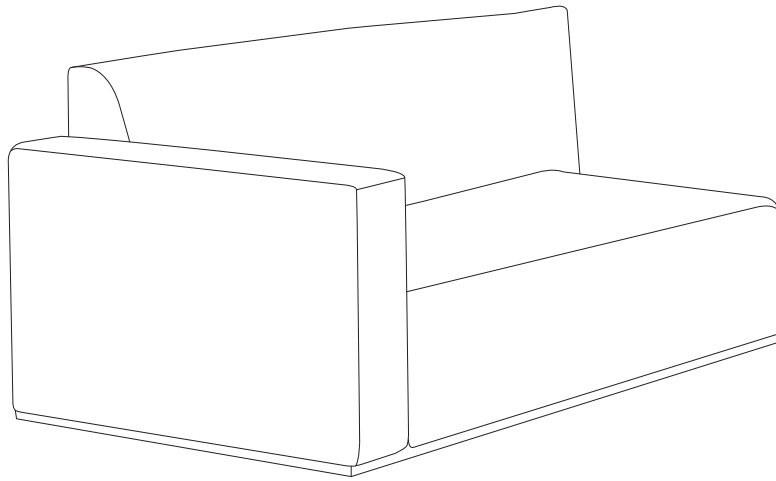


x 8

Ex 2



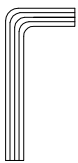
1



A x 4

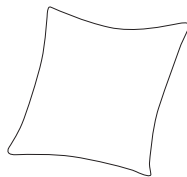


D



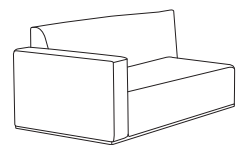
x 1

E



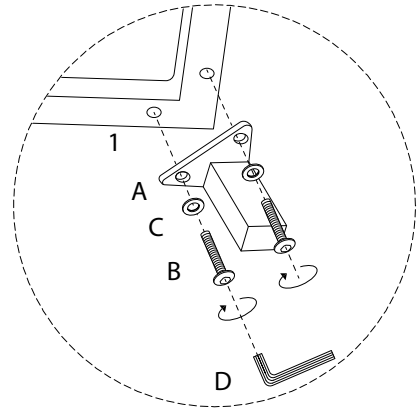
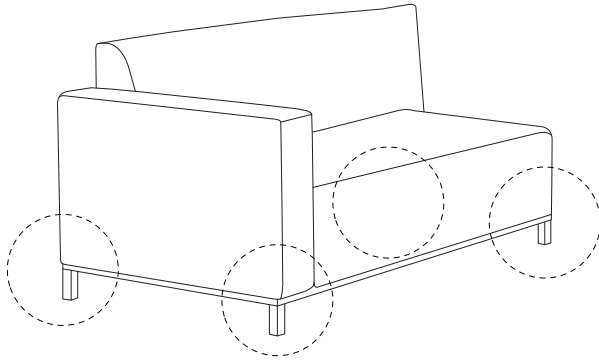
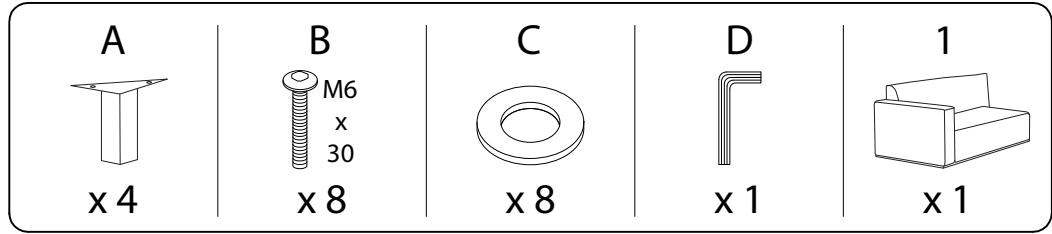
x 2

1

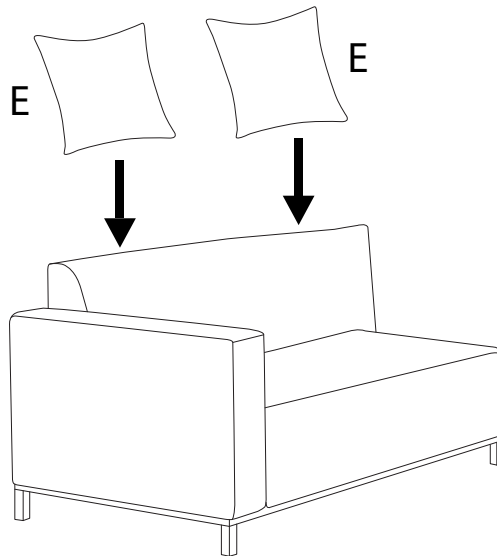
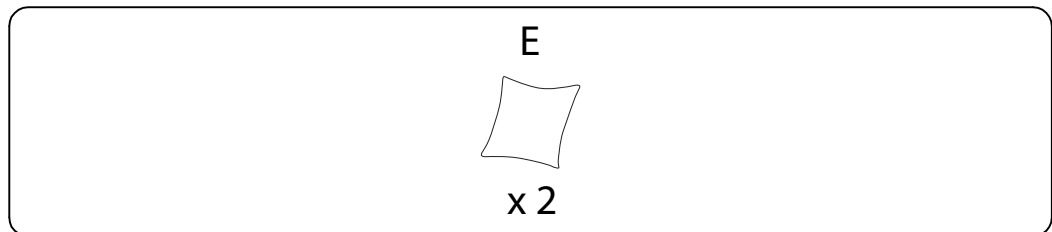


x 1

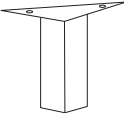
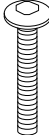
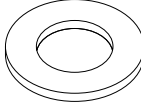
1



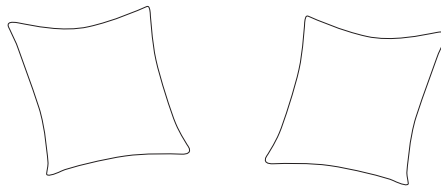
2



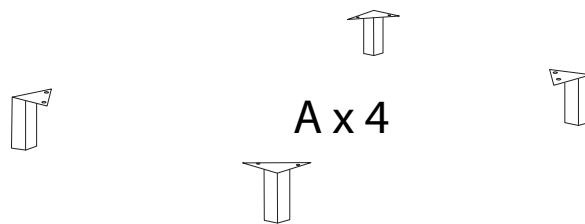
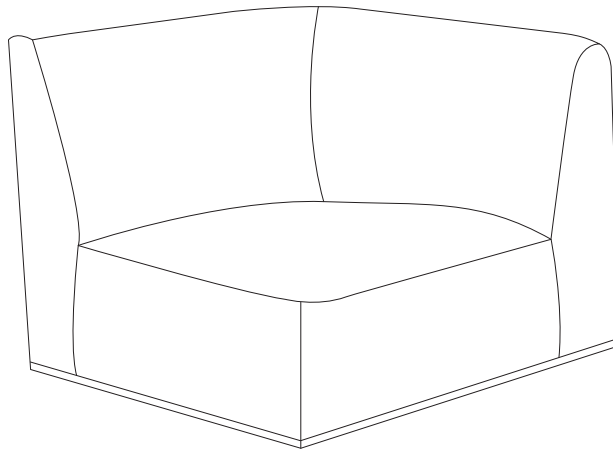
B

A	B	C
	 M6 x 30	
x 4	x 8	x 8


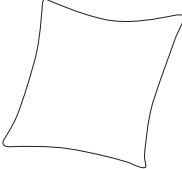
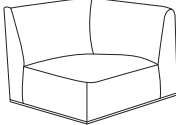
Ex 2



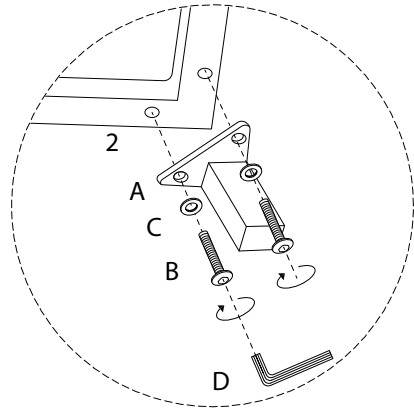
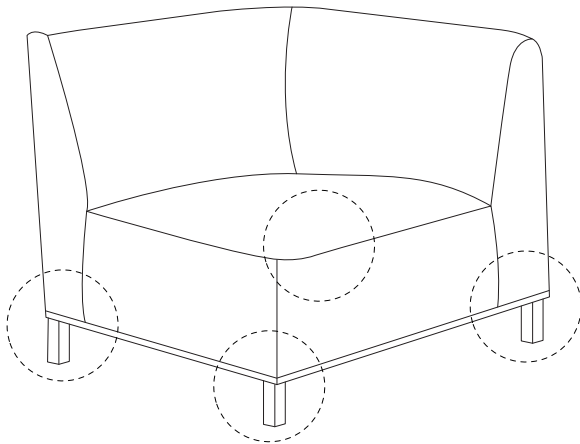
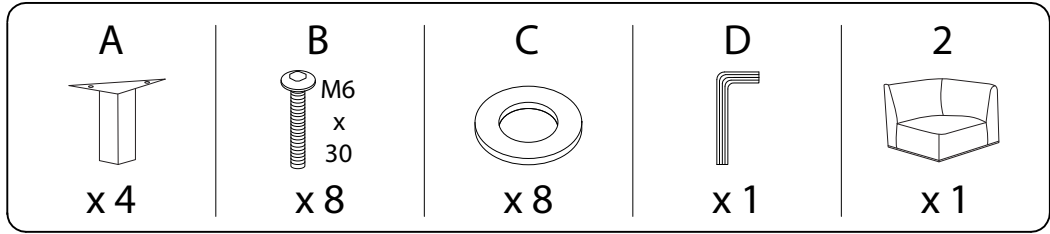
2



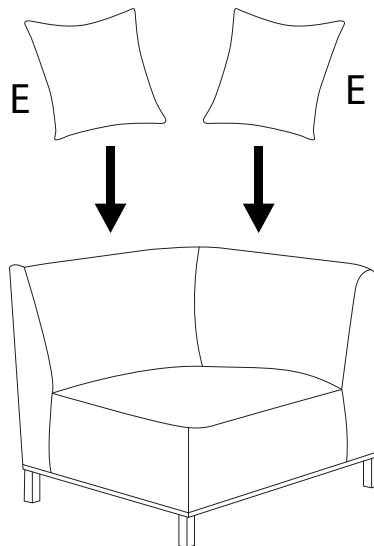
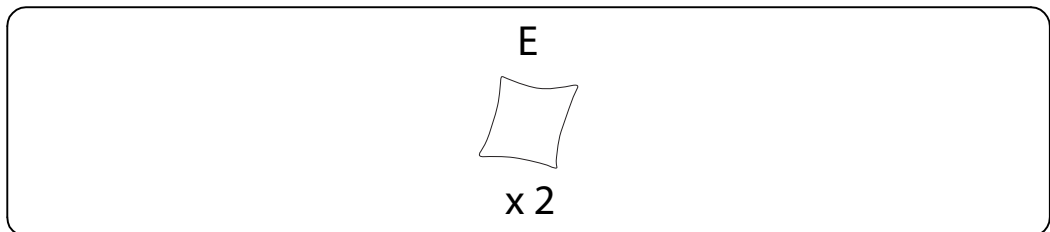
A x 4

D	E	2
		
x 1	x 2	x 1

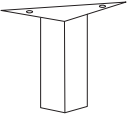
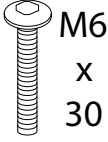
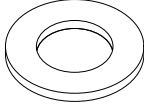
1



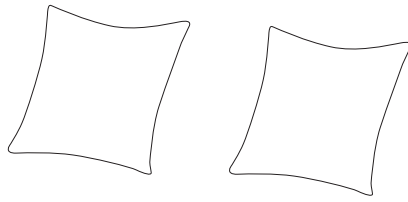
2



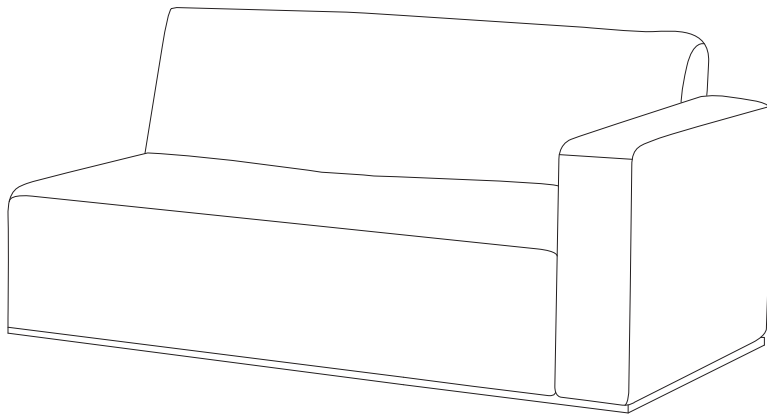
C


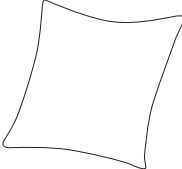
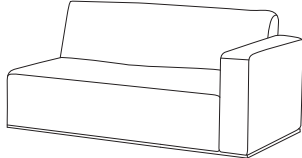
<p>A</p>  <p>x 4</p>	<p>B</p>  <p>M6 x 30</p> <p>x 8</p>	<p>C</p>  <p>x 8</p>
---	--	---

Ex 2

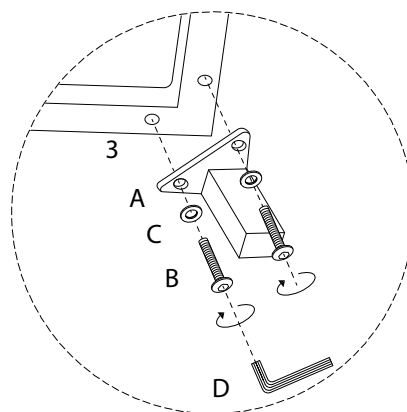
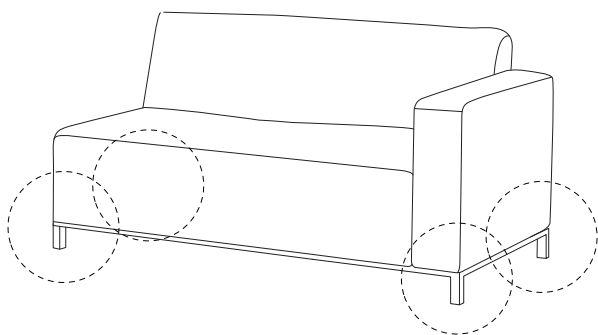
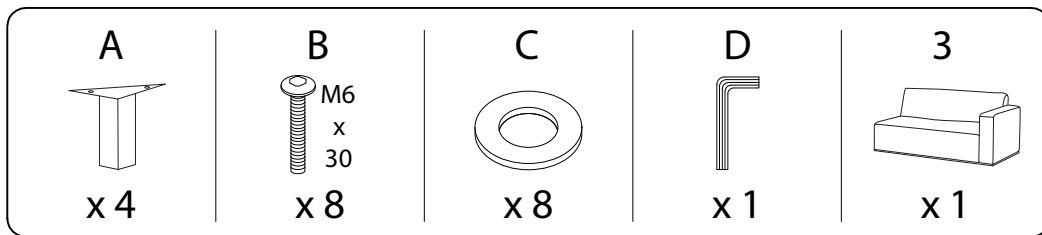


3

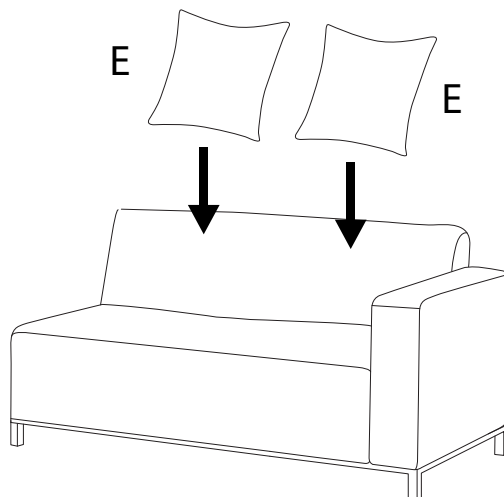
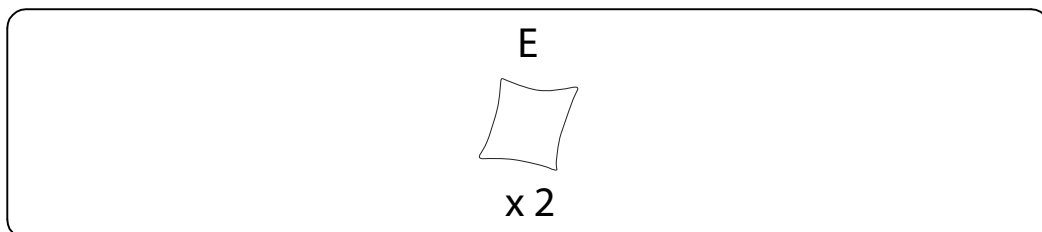


<p>D</p>  <p>x 1</p>	<p>E</p>  <p>x 2</p>	<p>3</p>  <p>x 1</p>
---	---	---

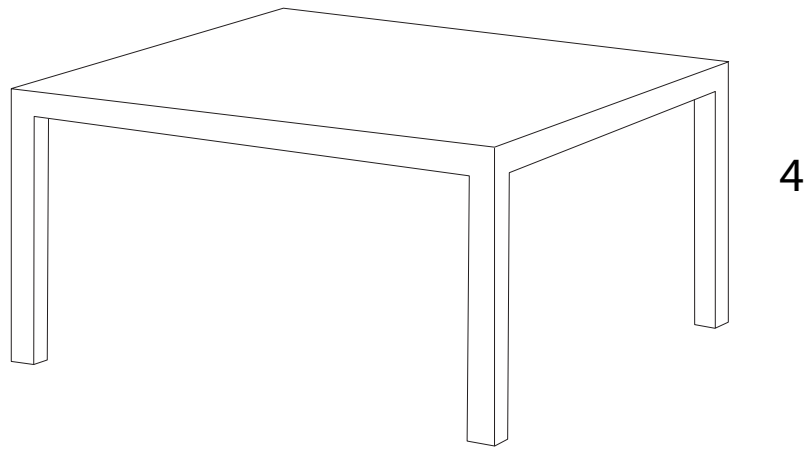
1



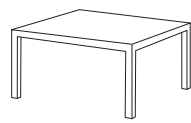
2



D



4



x 1

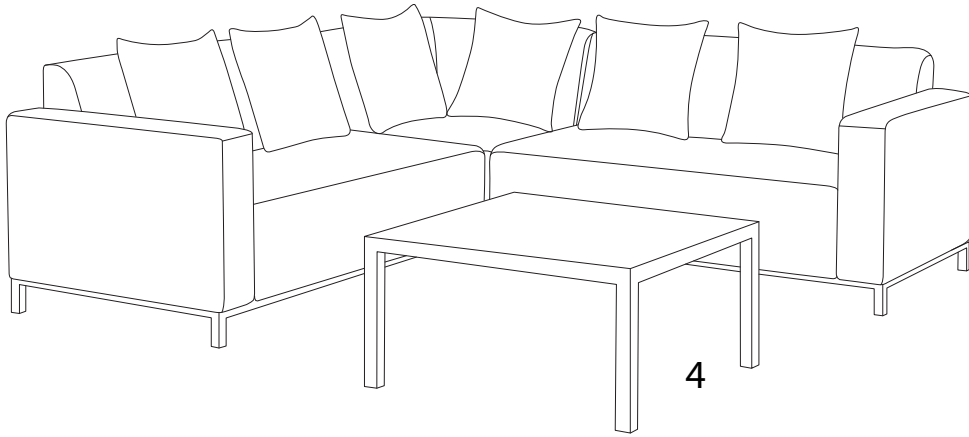
8/9

1

4



x 1



4