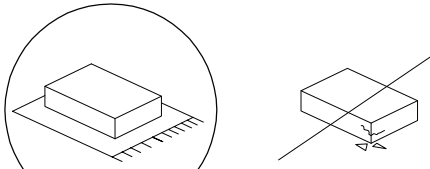
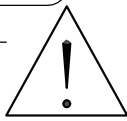

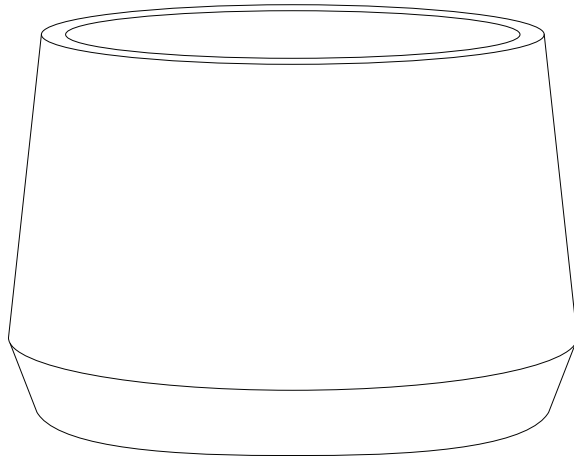
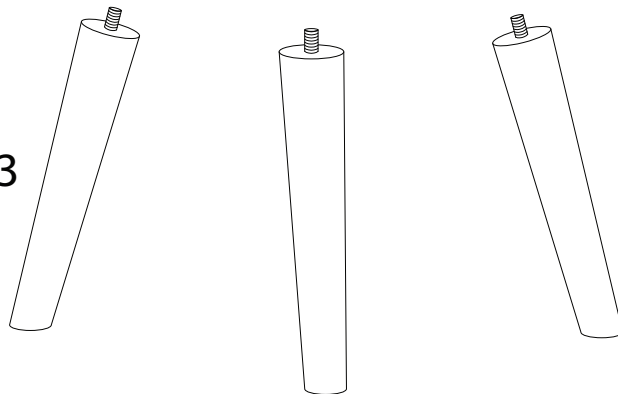

		5'
		
		1

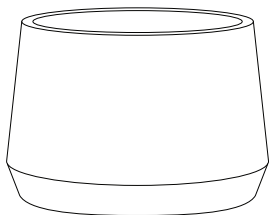
A



B x 3



A



x 1

B



x 3

1

