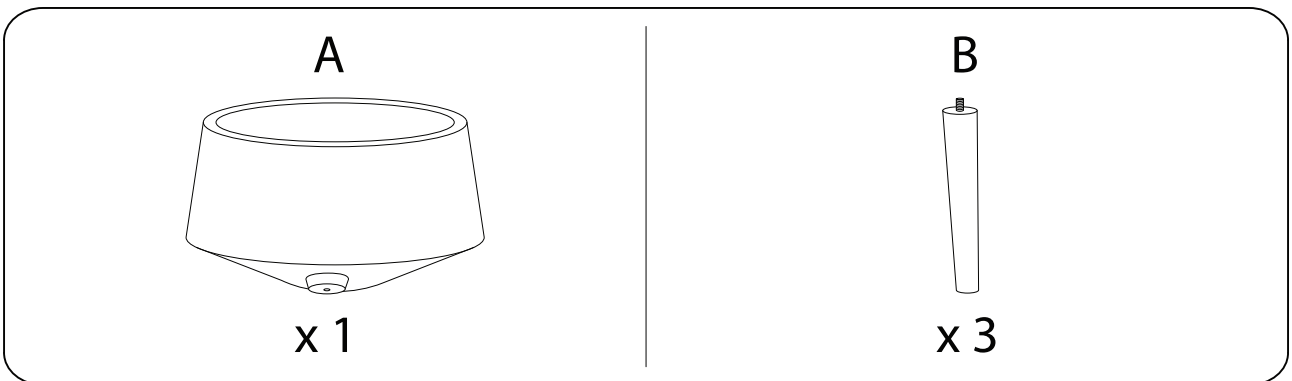
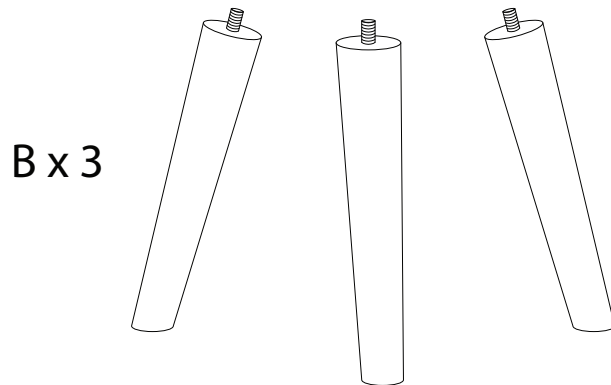
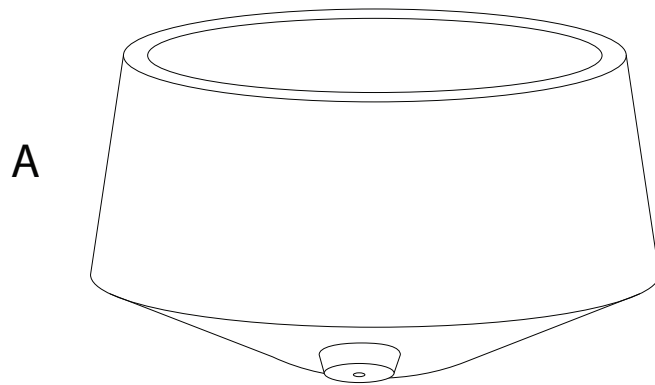


Diagram illustrating assembly instructions and safety warnings:

- Warning 1:** A crossed-out power drill icon indicates that a power drill should not be used for assembly.
- Warning 2:** A crossed-out icon of a wooden block being drilled from the bottom indicates that drilling should not be performed on the underside of the seat.
- Time:** A clock icon with the number 5' indicates that the assembly time is 5 minutes.
- Person:** An icon of a person with the number 1 indicates that one person is required for assembly.



1

